



US00D744006S

(12) **United States Design Patent**
Nommensen

(10) **Patent No.:** **US D744,006 S**

(45) **Date of Patent:** **** Nov. 24, 2015**

(54) **COMPRESSOR**

(71) Applicant: **Secop GmbH**, Flensburg (DE)

(72) Inventor: **Marten Nommensen**, Flensburg (DE)

(73) Assignee: **Secop GmbH**, Flensburg (DE)

(**) Term: **14 Years**

(21) Appl. No.: **29/487,405**

(22) Filed: **Apr. 8, 2014**

(30) **Foreign Application Priority Data**

Nov. 15, 2013 (EM) 002346536-0001

(51) **LOC (10) Cl.** **15-02**

(52) **U.S. Cl.**
USPC **D15/9**

(58) **Field of Classification Search**
USPC D15/7-9; D23/231, 232, 225;
417/410.1, 359, 415-416, 234, 321,
417/265, 405

CPC F04B 35/00; F04B 17/00
See application file for complete search history.

(56) **References Cited**

U.S. PATENT DOCUMENTS

D498,768 S * 11/2004 Romandy et al. D15/9
D500,769 S * 1/2005 Montgomery D15/7
D531,645 S * 11/2006 Wise D15/9
D588,612 S * 3/2009 Steinfels D15/7

* cited by examiner

Primary Examiner — Ralf Seifert

(74) *Attorney, Agent, or Firm* — McCormick, Paulding & Huber LLP

(57) **CLAIM**

The ornamental design for a compressor, substantially as shown.

DESCRIPTION

FIG. 1 is a front, top, left-hand side perspective view of a compressor comprising a new, original and ornamental design;

FIG. 2 is a front view thereof;

FIG. 3 is a rear view thereof;

FIG. 4 is a left-hand side view thereof;

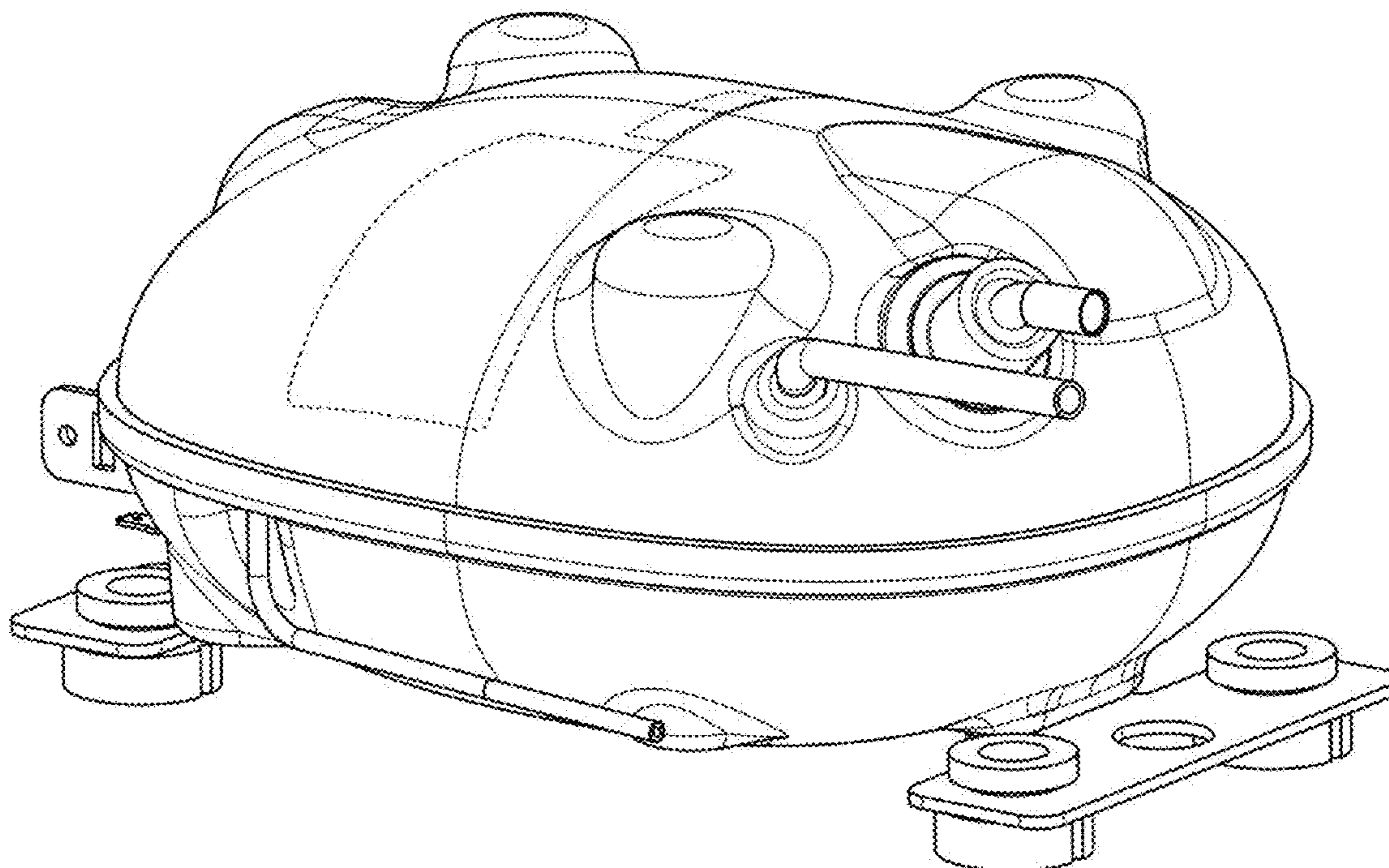
FIG. 5 is a right-hand side view thereof;

FIG. 6 is a top view thereof; and,

FIG. 7 is a bottom view thereof.

Broken lines have been included for the purpose of illustrating portions of the compressor that form no part of the claimed design.

1 Claim, 4 Drawing Sheets



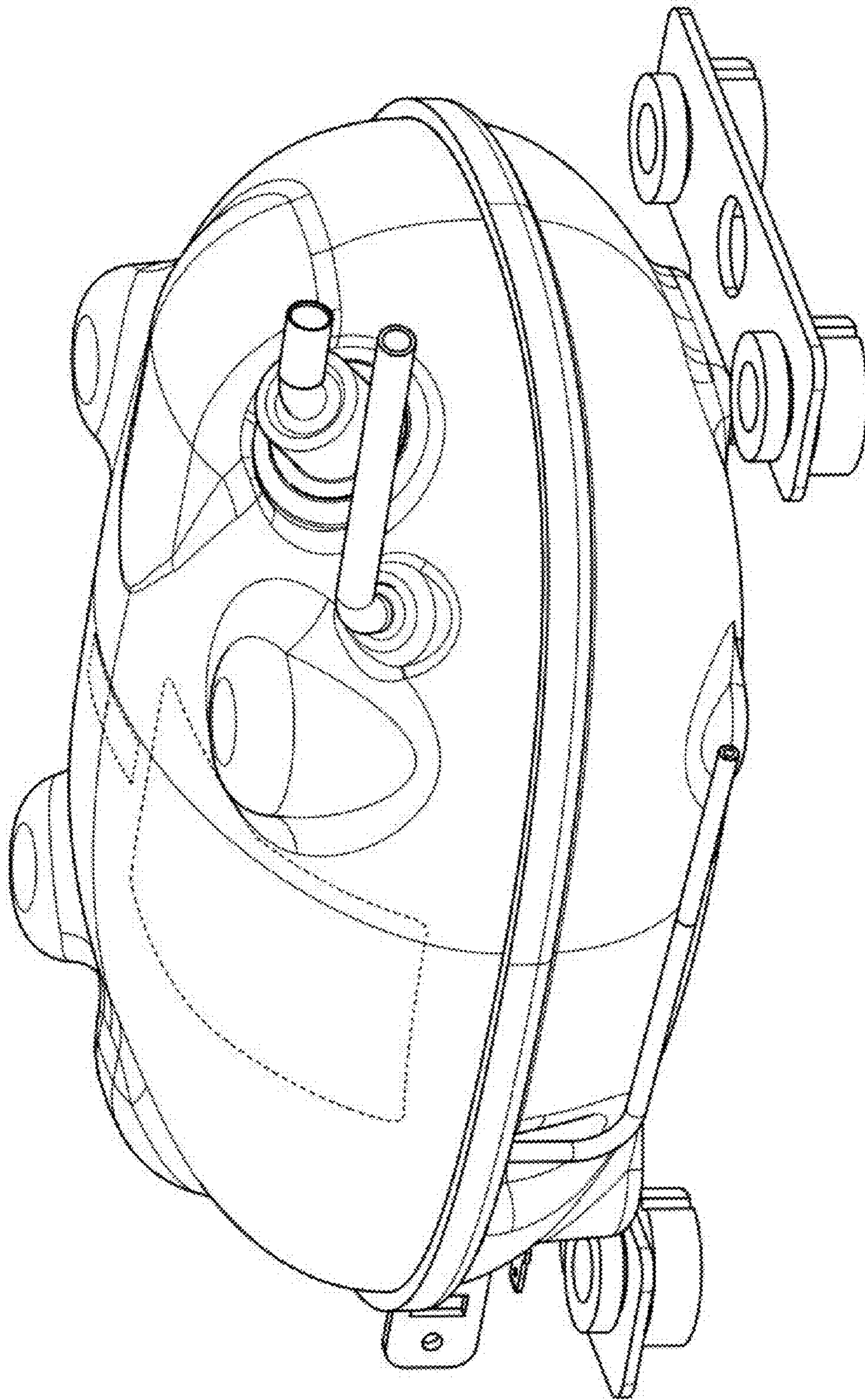


FIG. 1

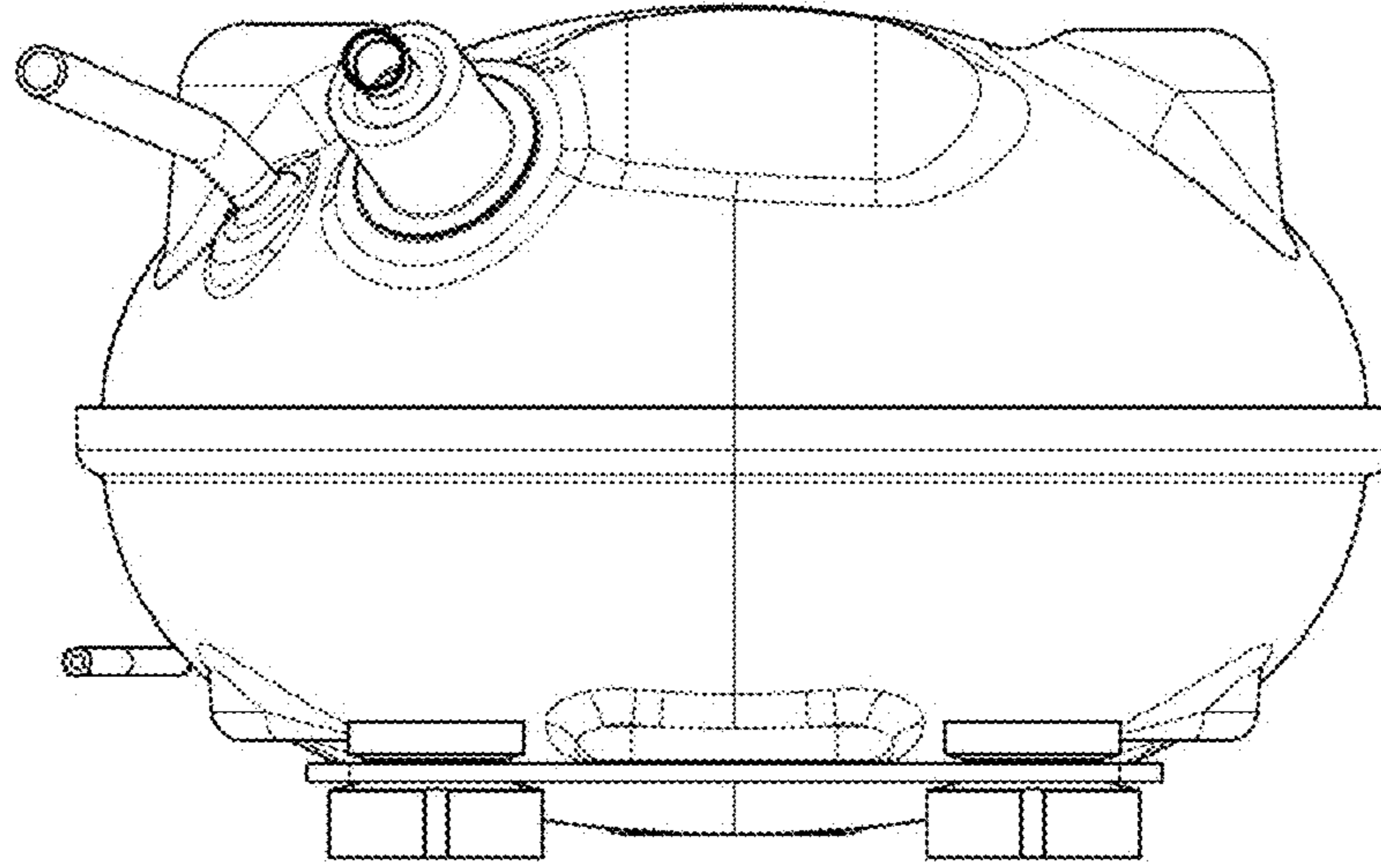


FIG. 2

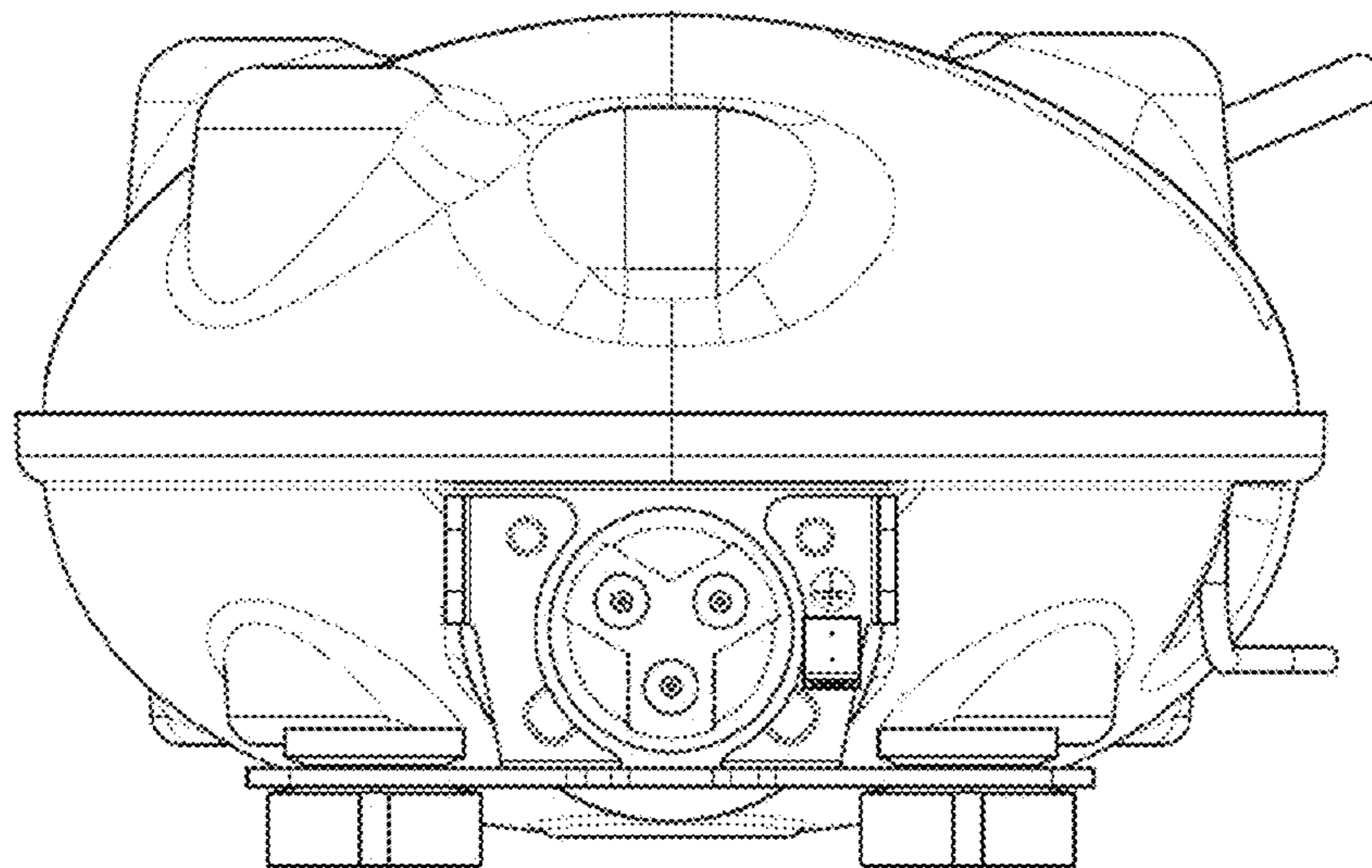


FIG. 3

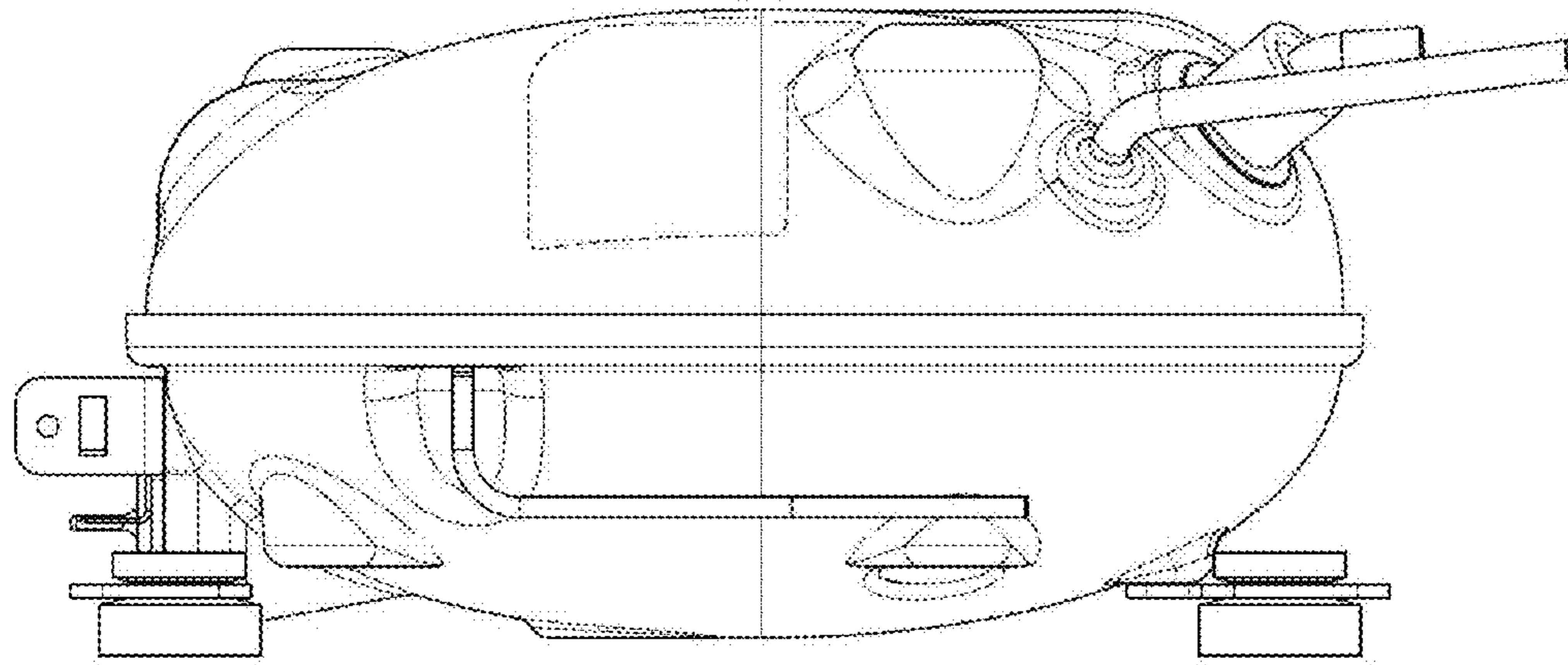


FIG. 4

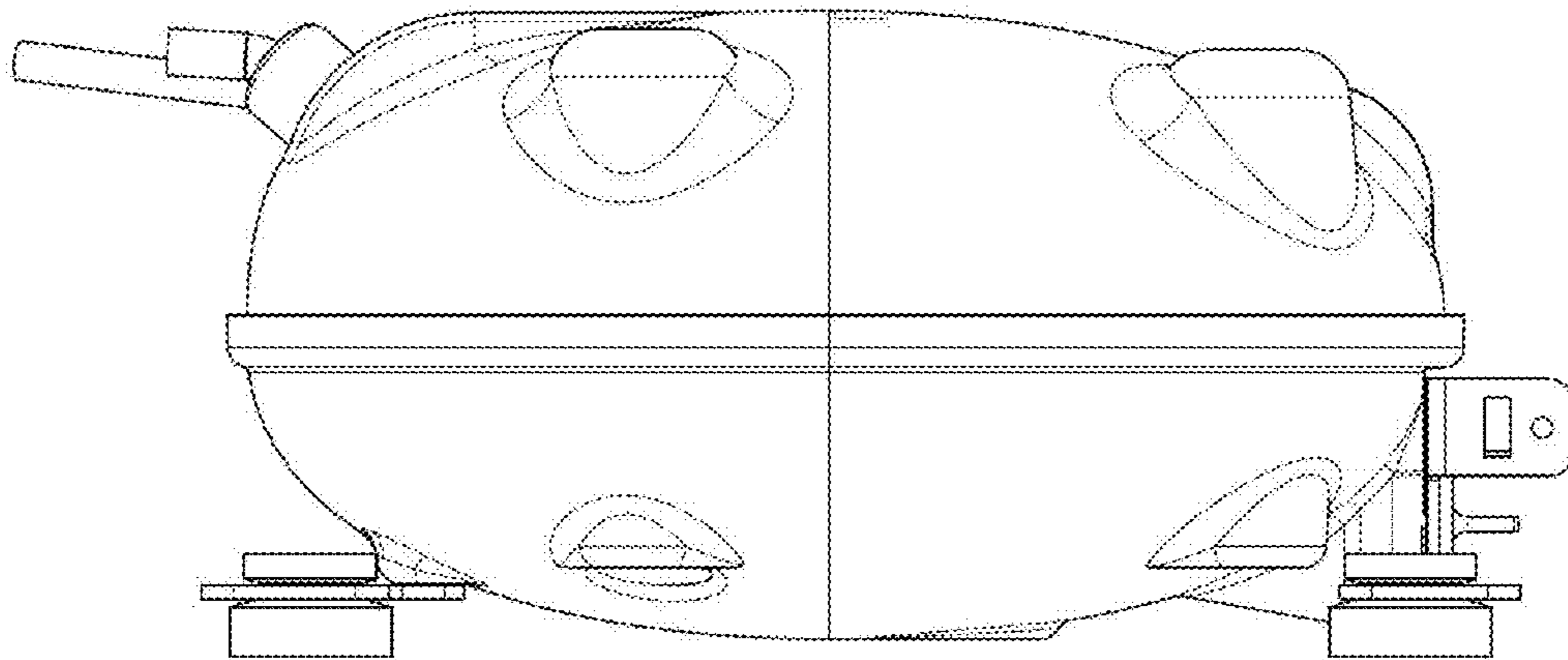


FIG. 5

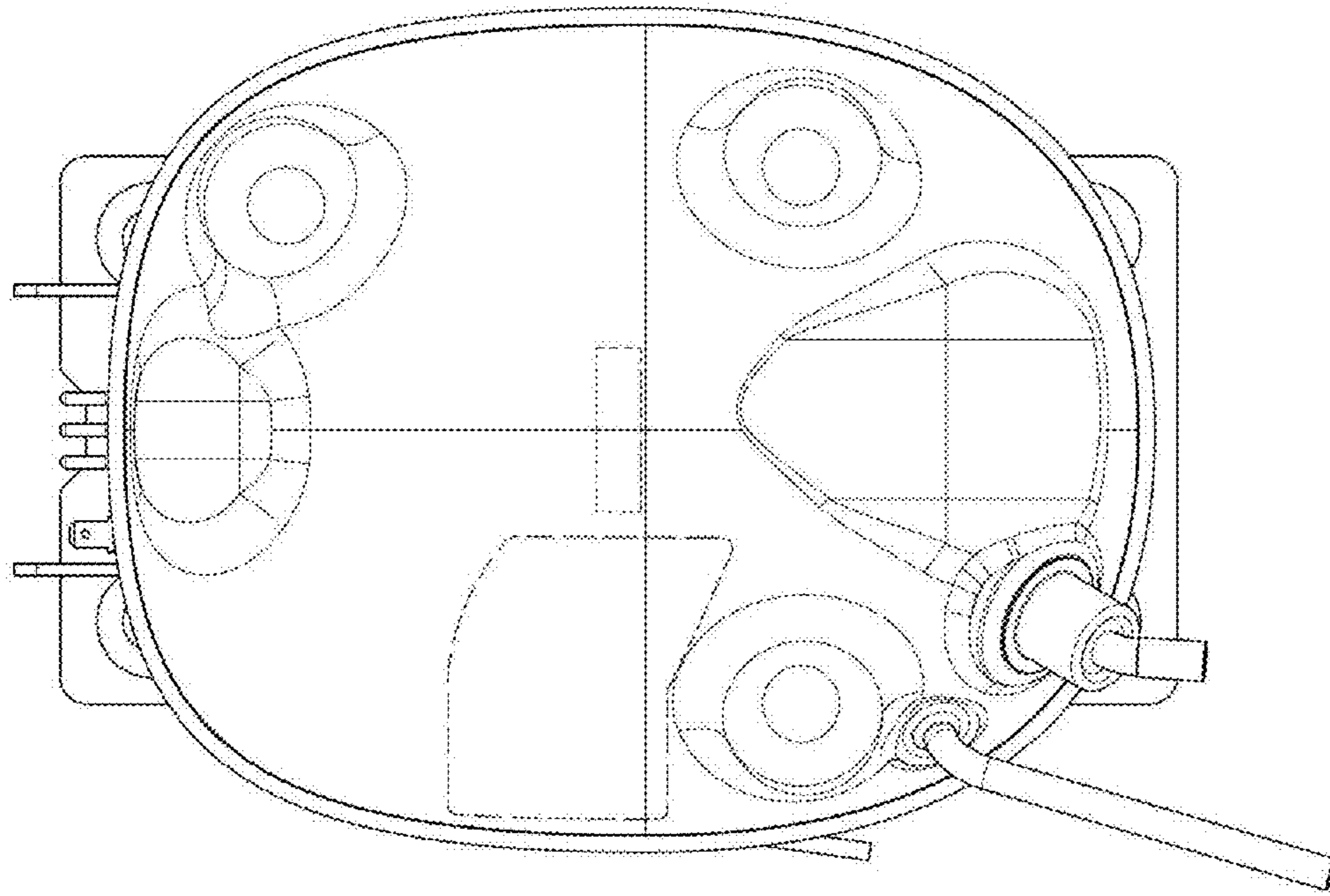


FIG. 6

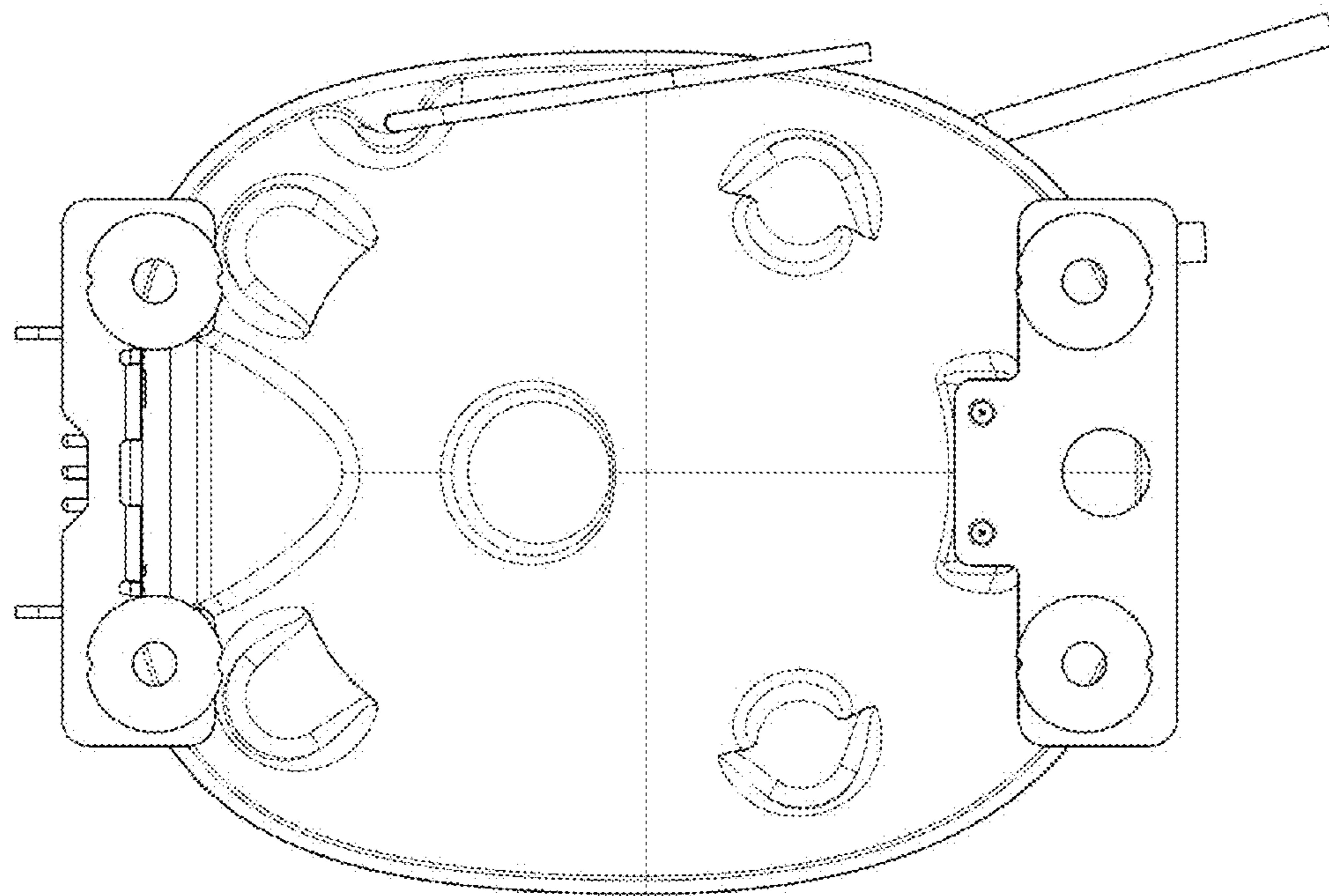


FIG. 7