



US00D744004S

(12) **United States Design Patent**
Sacchetti et al.

(10) **Patent No.:** **US D744,004 S**

(45) **Date of Patent:** **** Nov. 24, 2015**

(54) **SENTRY PUMP**

D657,801 S * 4/2012 Eckhardt D15/9
D671,560 S * 11/2012 Ohm et al. D15/7
D703,241 S * 4/2014 Eckhardt et al. D15/9

(71) Applicant: **Alcor Scientific, Inc.**, Smithfield, RI
(US)

* cited by examiner

(72) Inventors: **Peter Sacchetti**, Attleboro, MA (US);
Carlo Ruggieri, Smithfield, RI (US);
John Walsh, Norfolk, MA (US)

Primary Examiner — Ralf Seifert

(74) *Attorney, Agent, or Firm* — Adler Pollock & Sheehan
P.C.; Daniel J. Holmander, Esq.; George N. Chaclas, Esq.

(73) Assignee: **ALCOR SCIENTIFIC, INC.**,
Smithfield, RI (US)

(57) **CLAIM**

The ornamental design for a sentry pump, as shown and
described.

(**) Term: **14 Years**

DESCRIPTION

(21) Appl. No.: **29/512,961**

FIG. 1 is a front view of a first embodiment of the sentry pump
in accordance with the present invention;

(22) Filed: **Dec. 23, 2014**

FIG. 2 is a right view thereof;

(51) **LOC (10) Cl.** **15-02**

FIG. 3 is a rear view thereof;

(52) **U.S. Cl.**
USPC **D15/7**

FIG. 4 is a top view thereof;

(58) **Field of Classification Search**
USPC D15/7-9; D23/231, 232; 417/410.1,
417/359, 415-416, 234, 321, 265, 405, 15;
60/578

FIG. 5 is a left view thereof;

CPC F15B 7/04; F04B 49/00
See application file for complete search history.

FIG. 6 is a bottom view thereof;

FIG. 7 is a front left perspective view thereof;

FIG. 8 is a front right perspective view thereof;

FIG. 9 is a front lower left perspective view thereof;

FIG. 10 is a right rear perspective view thereof; and,

FIG. 11 is a rear view of a second embodiment of the sentry
pump in accordance with the present invention; wherein
FIGS. 1, 2, and 4-9 are identical for the first and second
embodiments.

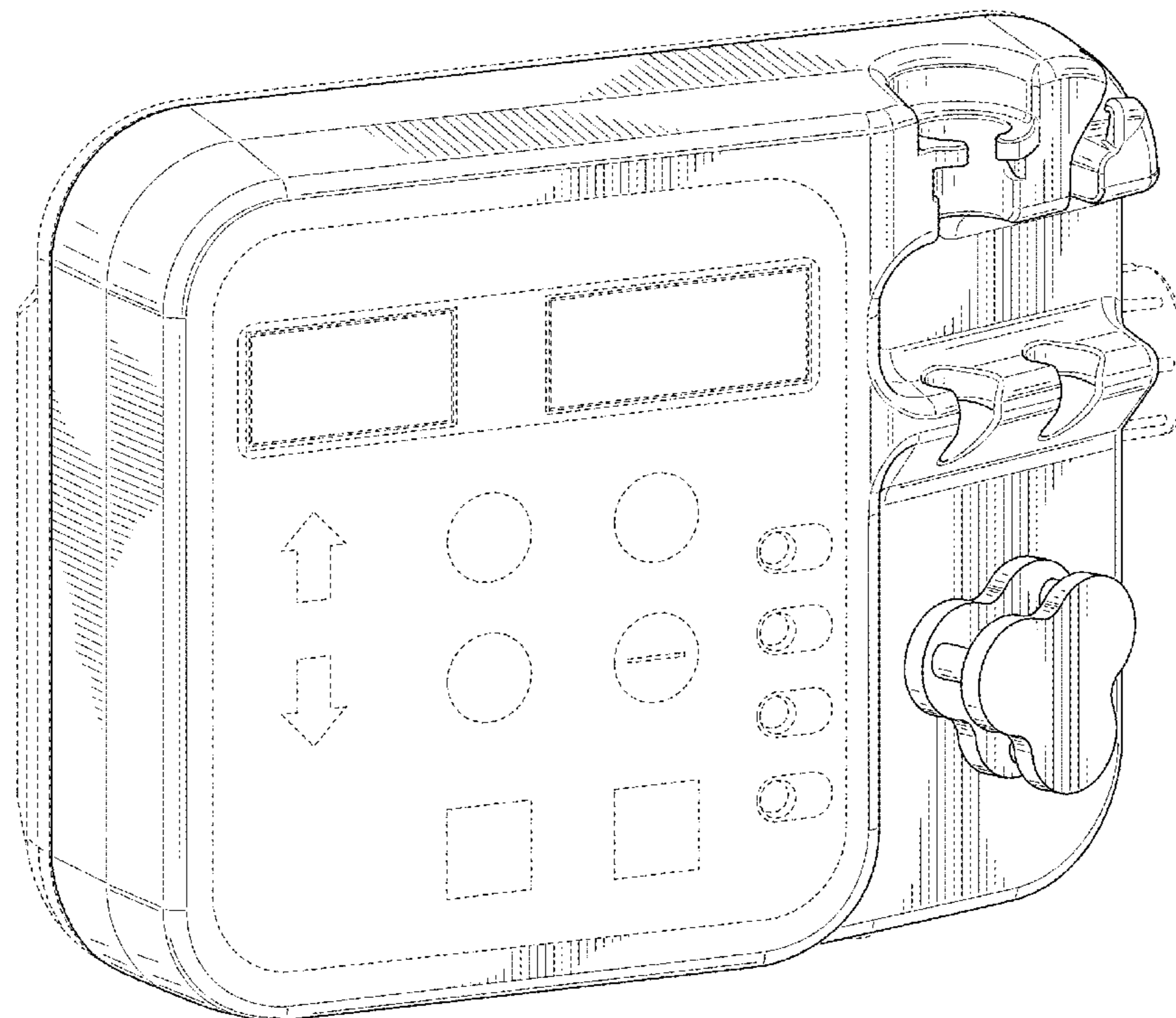
(56) **References Cited**

The portions of the drawings depicted in dotted lines are
included for environmental purposes only, and form no part of
the claimed invention.

U.S. PATENT DOCUMENTS

D472,559 S * 4/2003 Metz D15/9
D644,252 S * 8/2011 Kojima D15/9

1 Claim, 11 Drawing Sheets



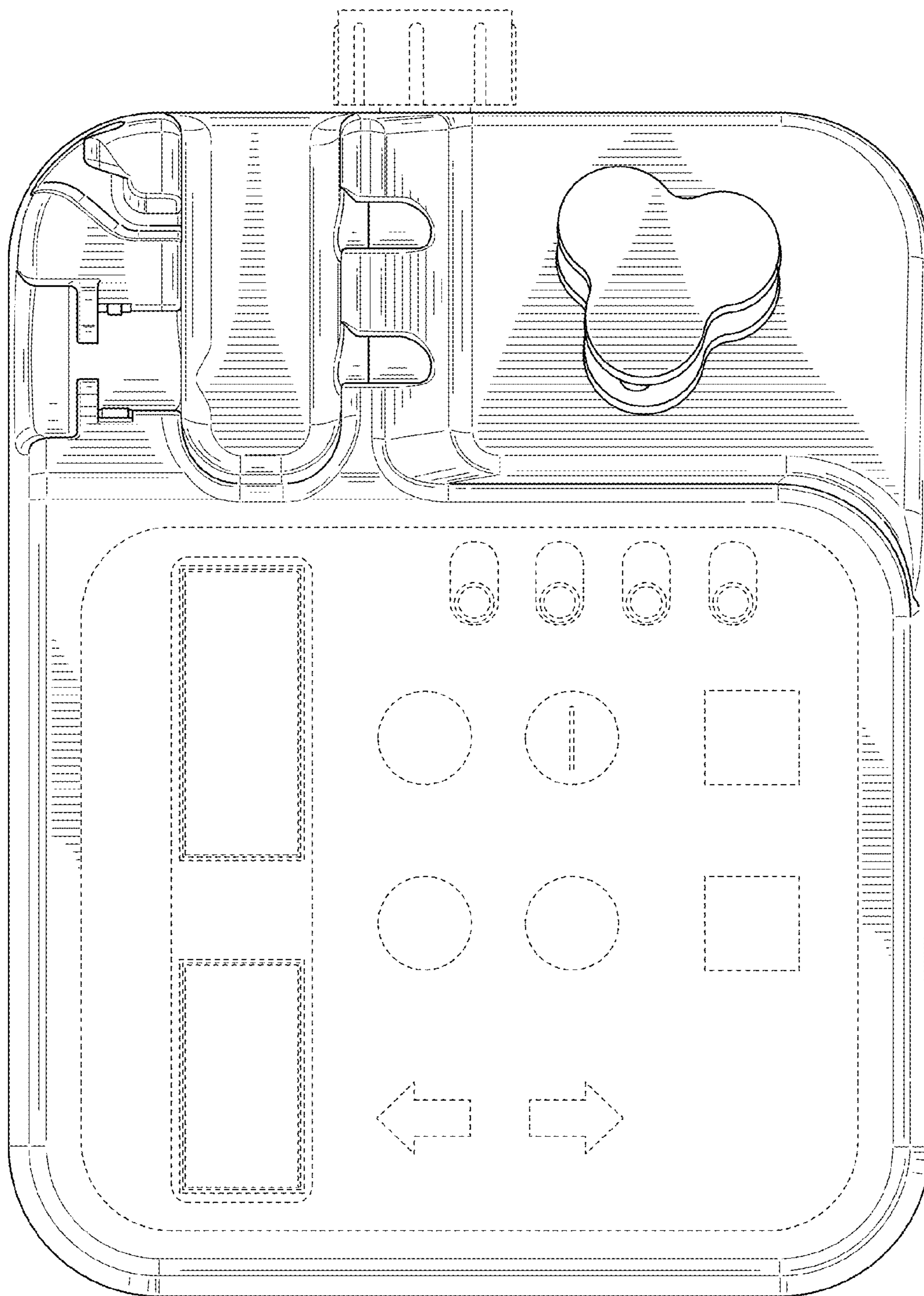


FIG. 7

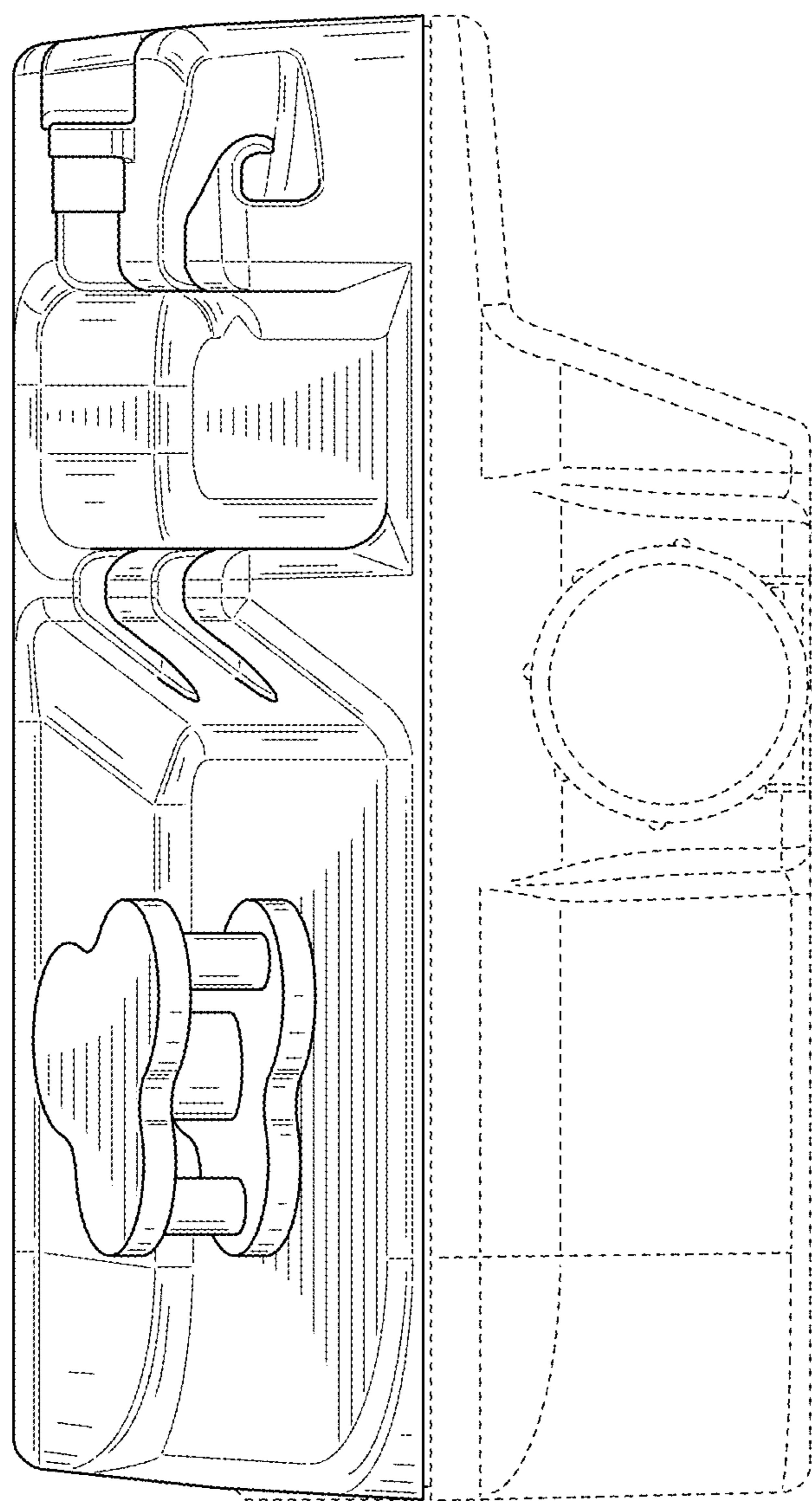


FIG. 2

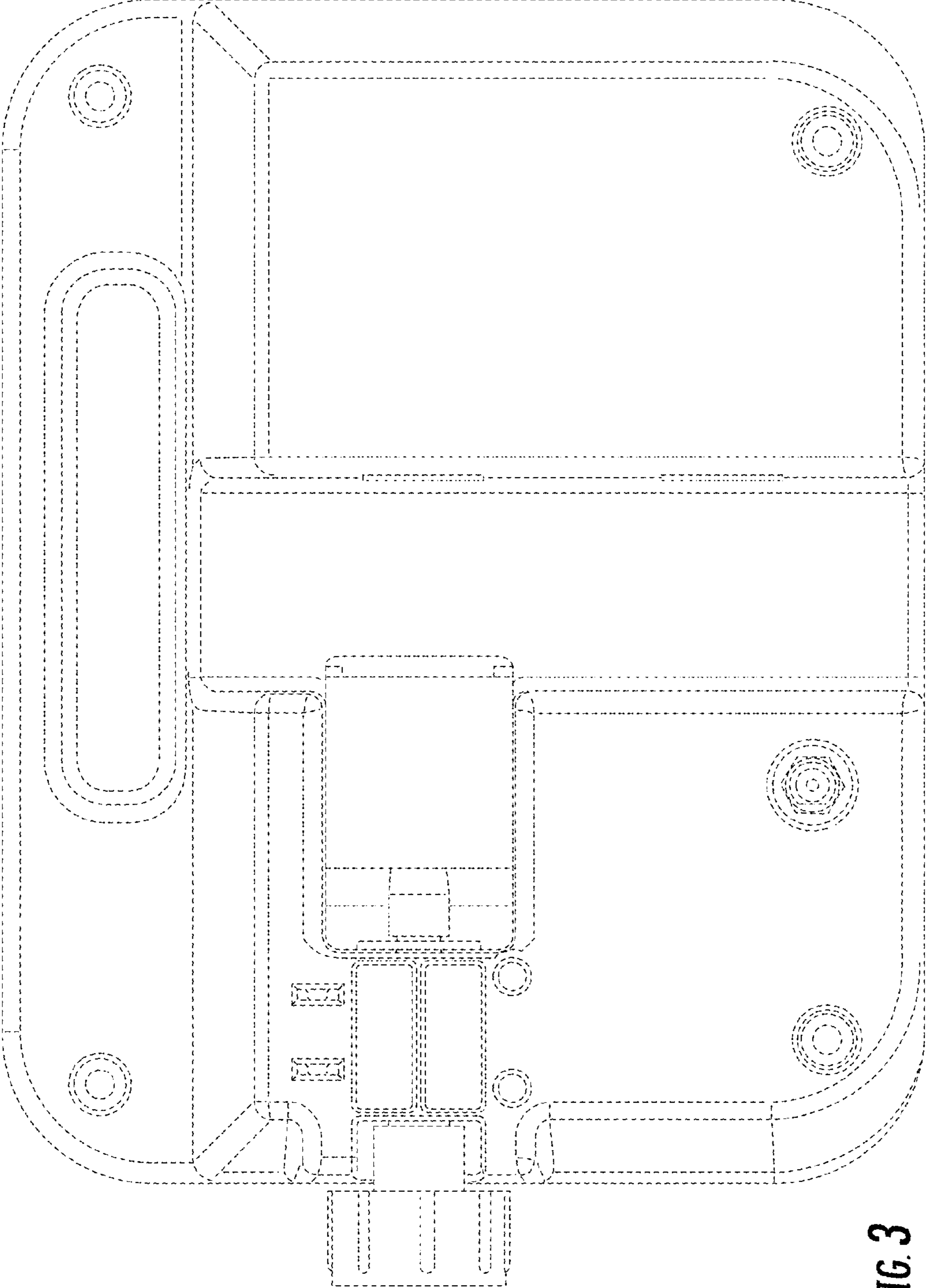


FIG. 3

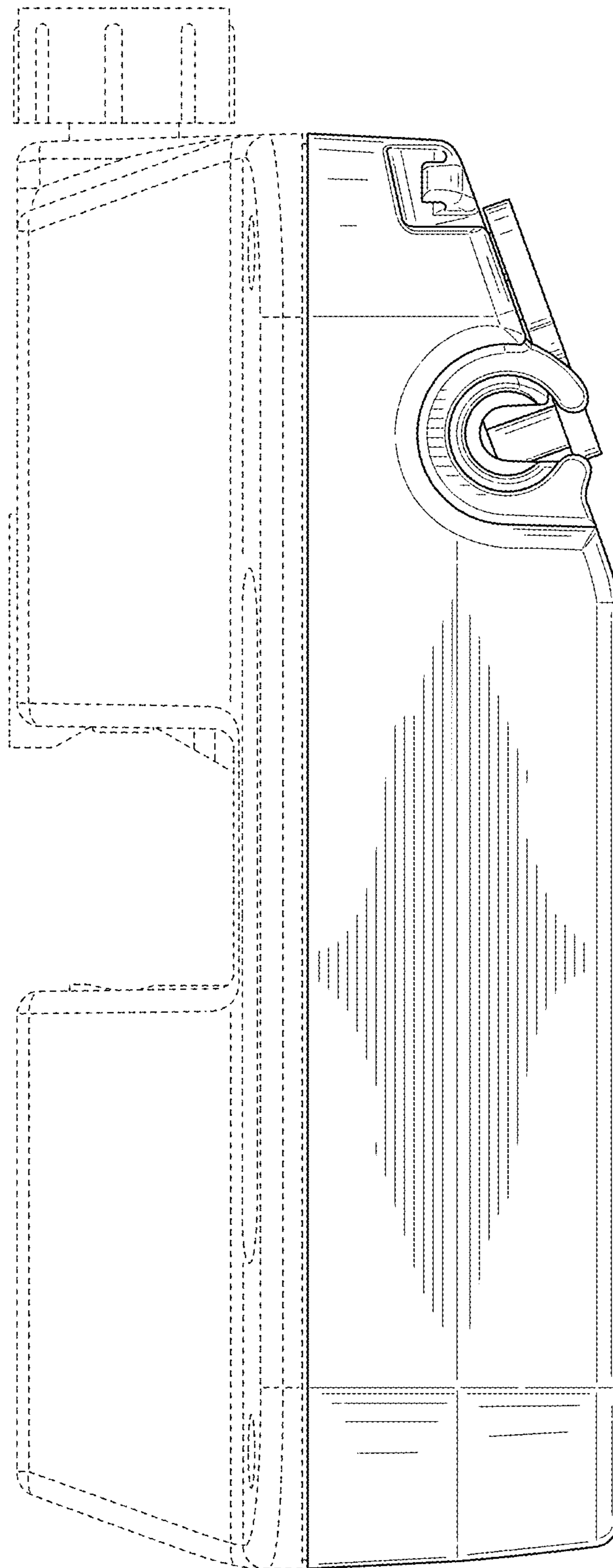


FIG. 4

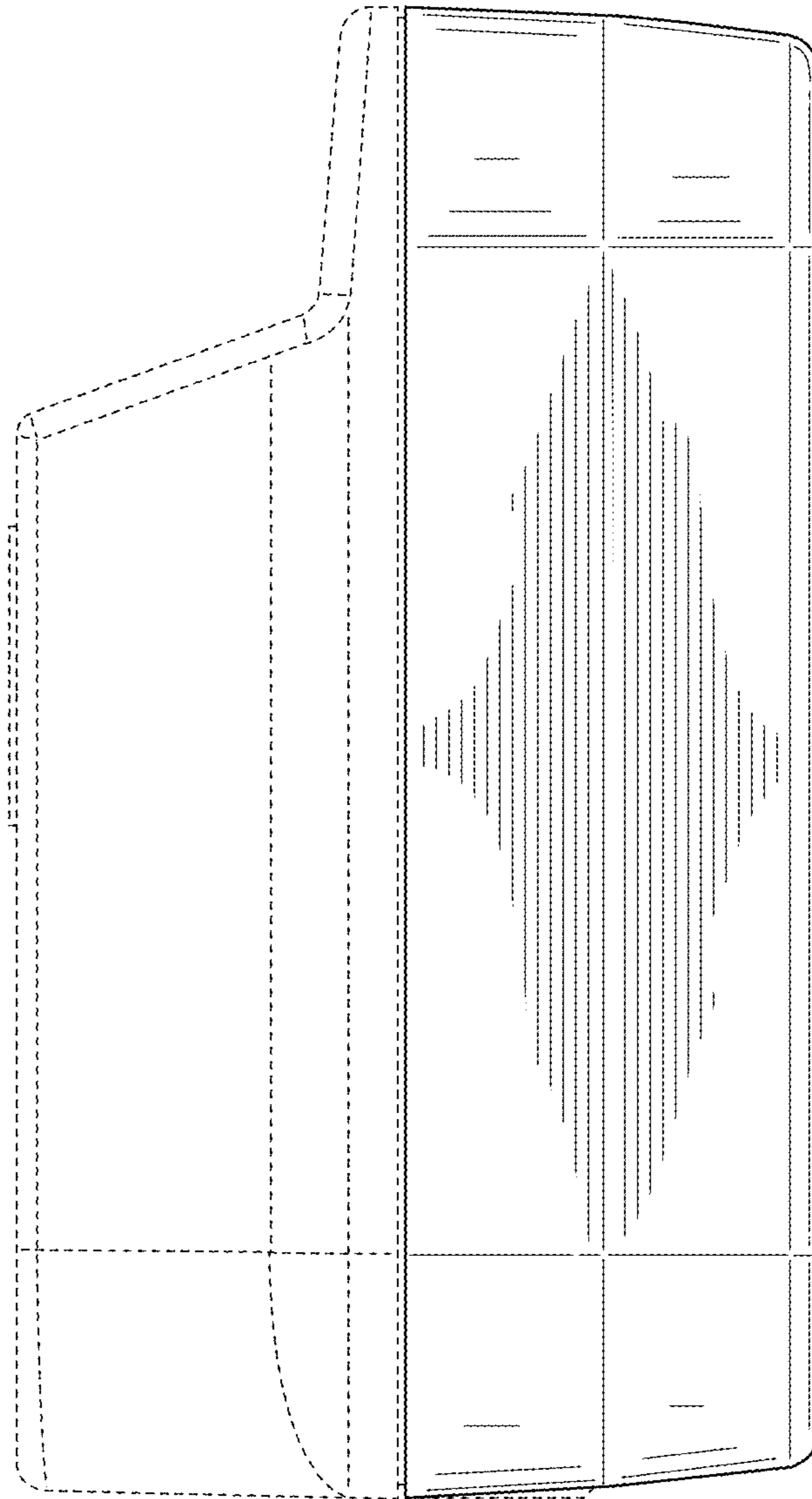


FIG. 5

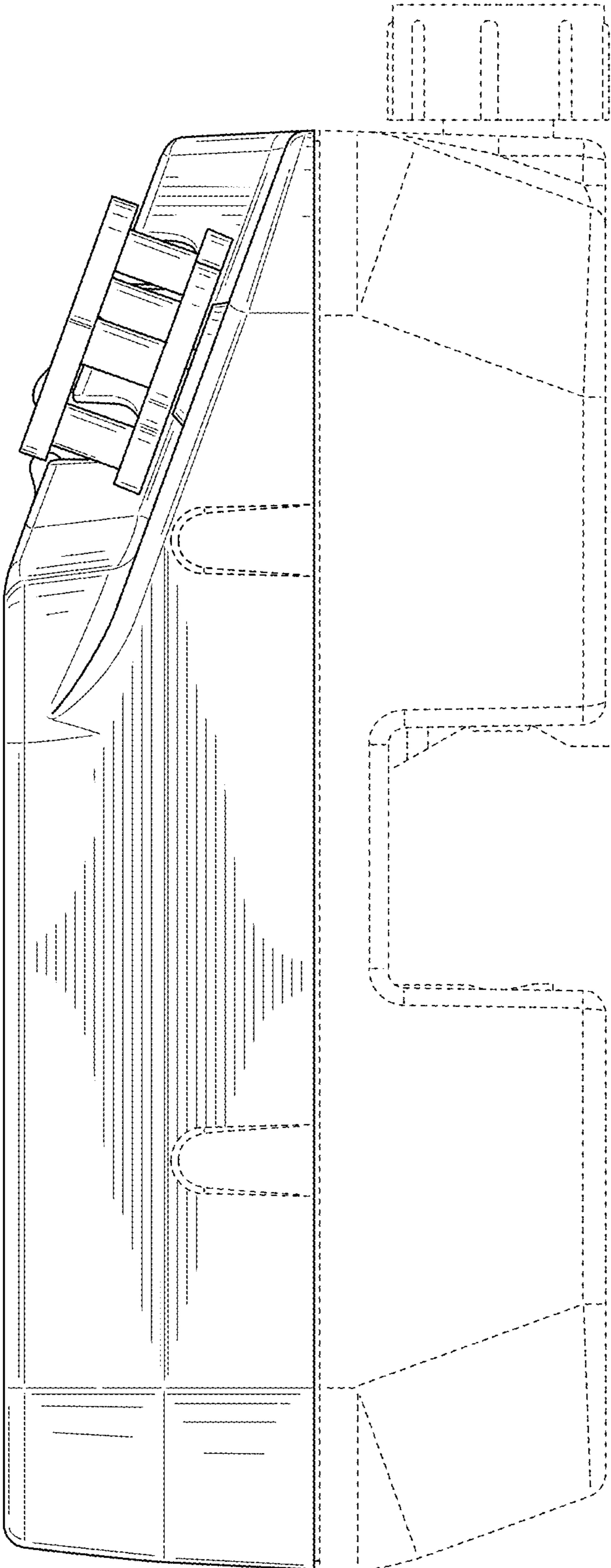


FIG. 6

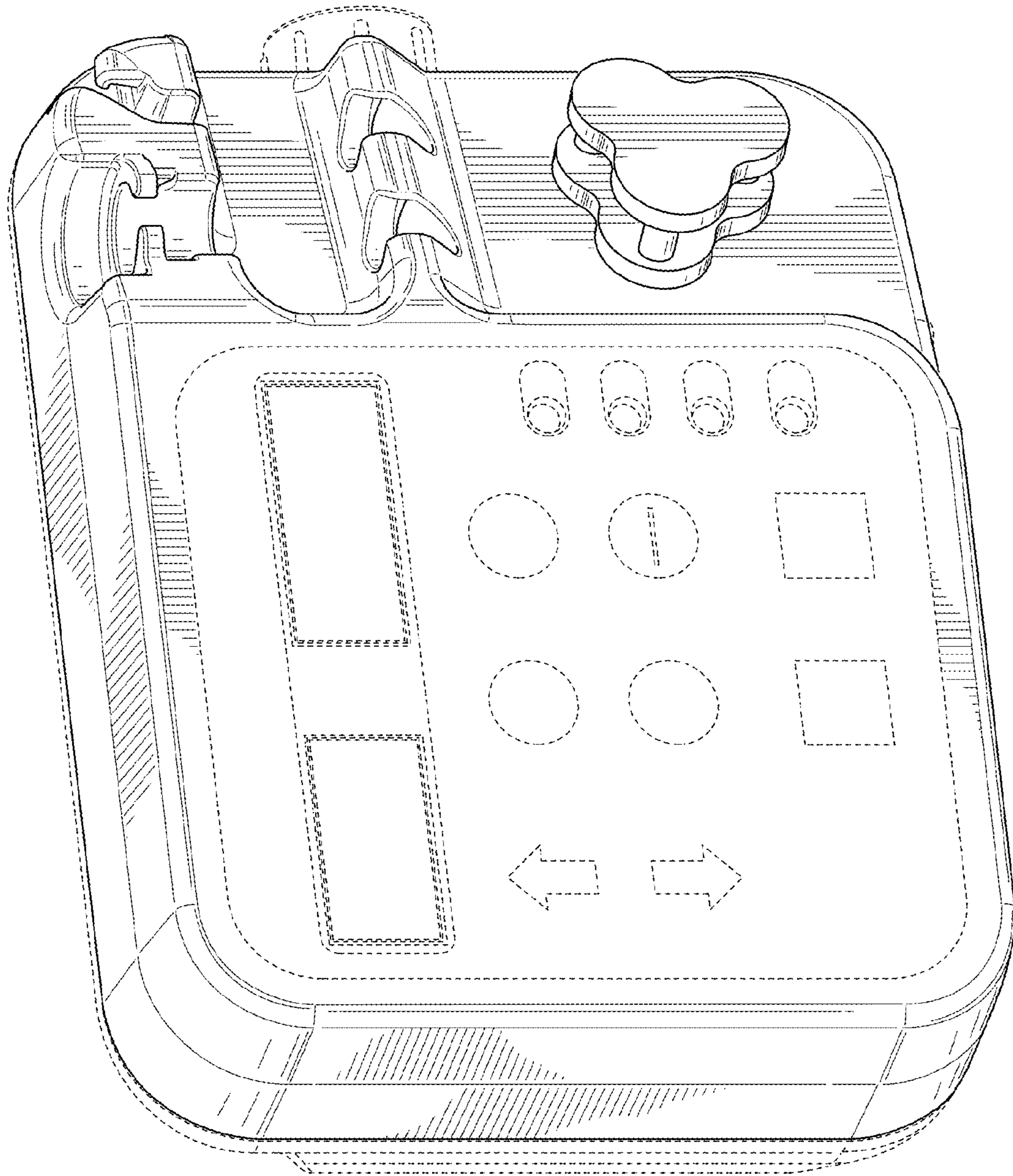


FIG. 7

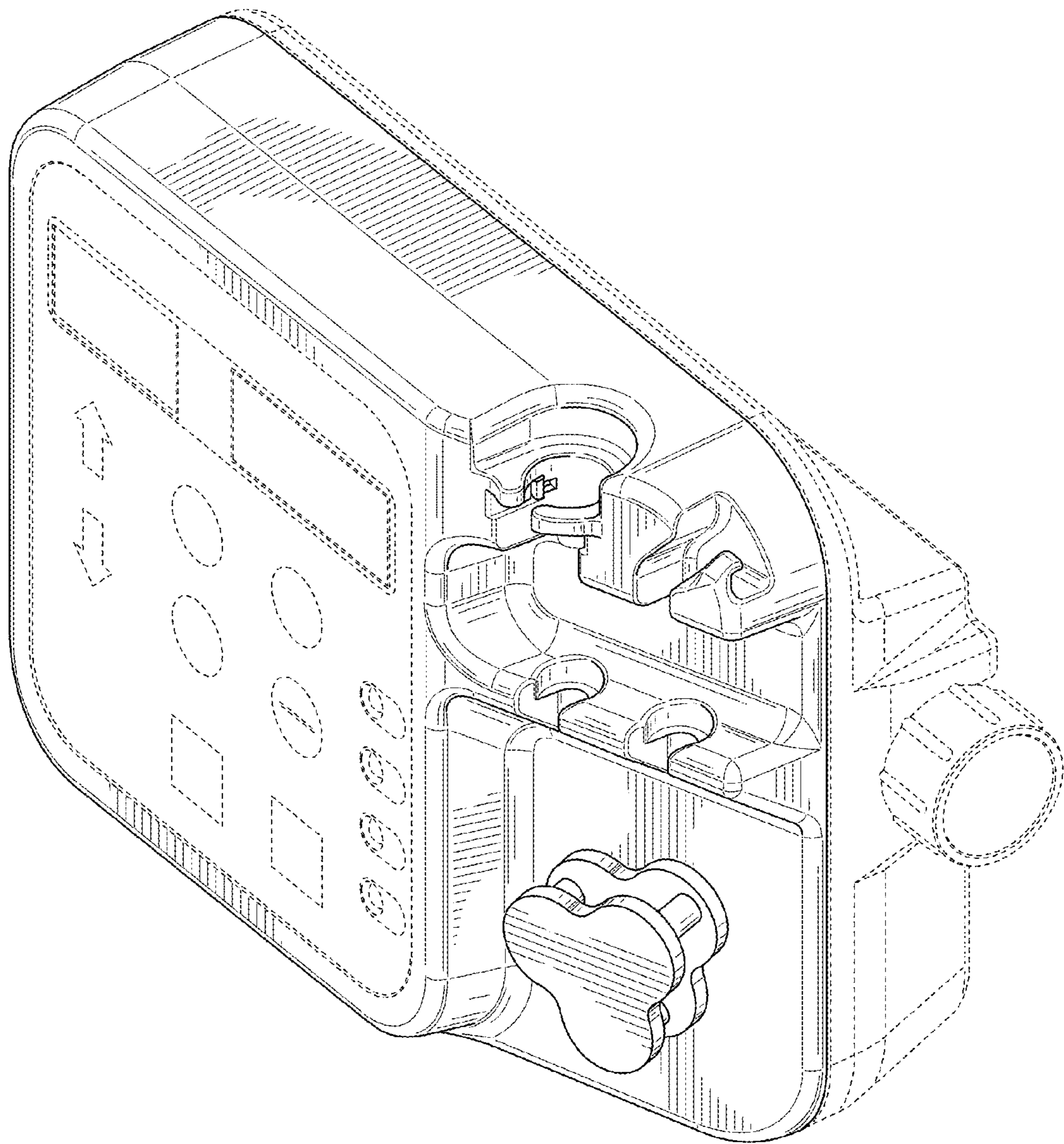


FIG. 8

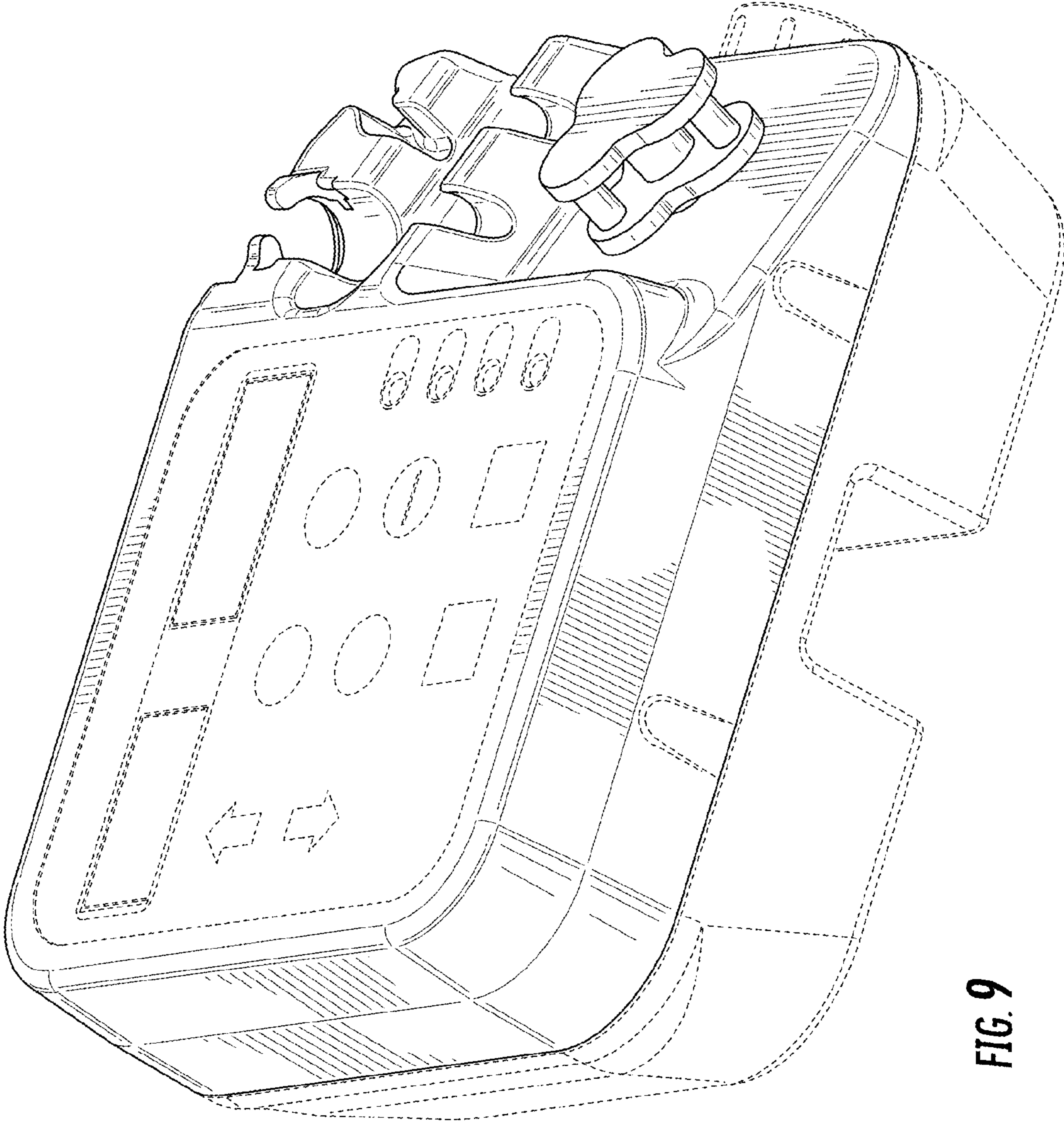


FIG. 9

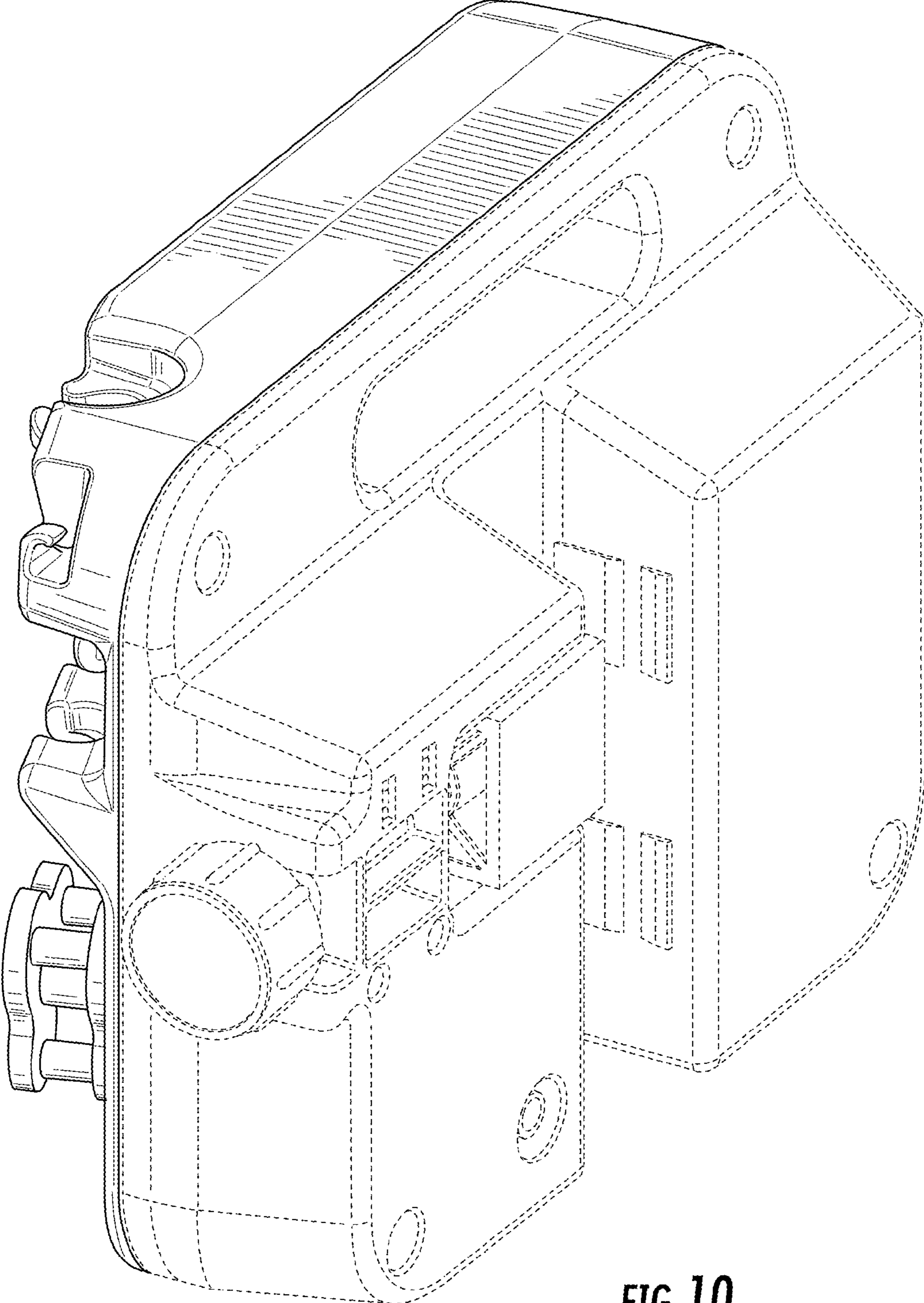


FIG. 10

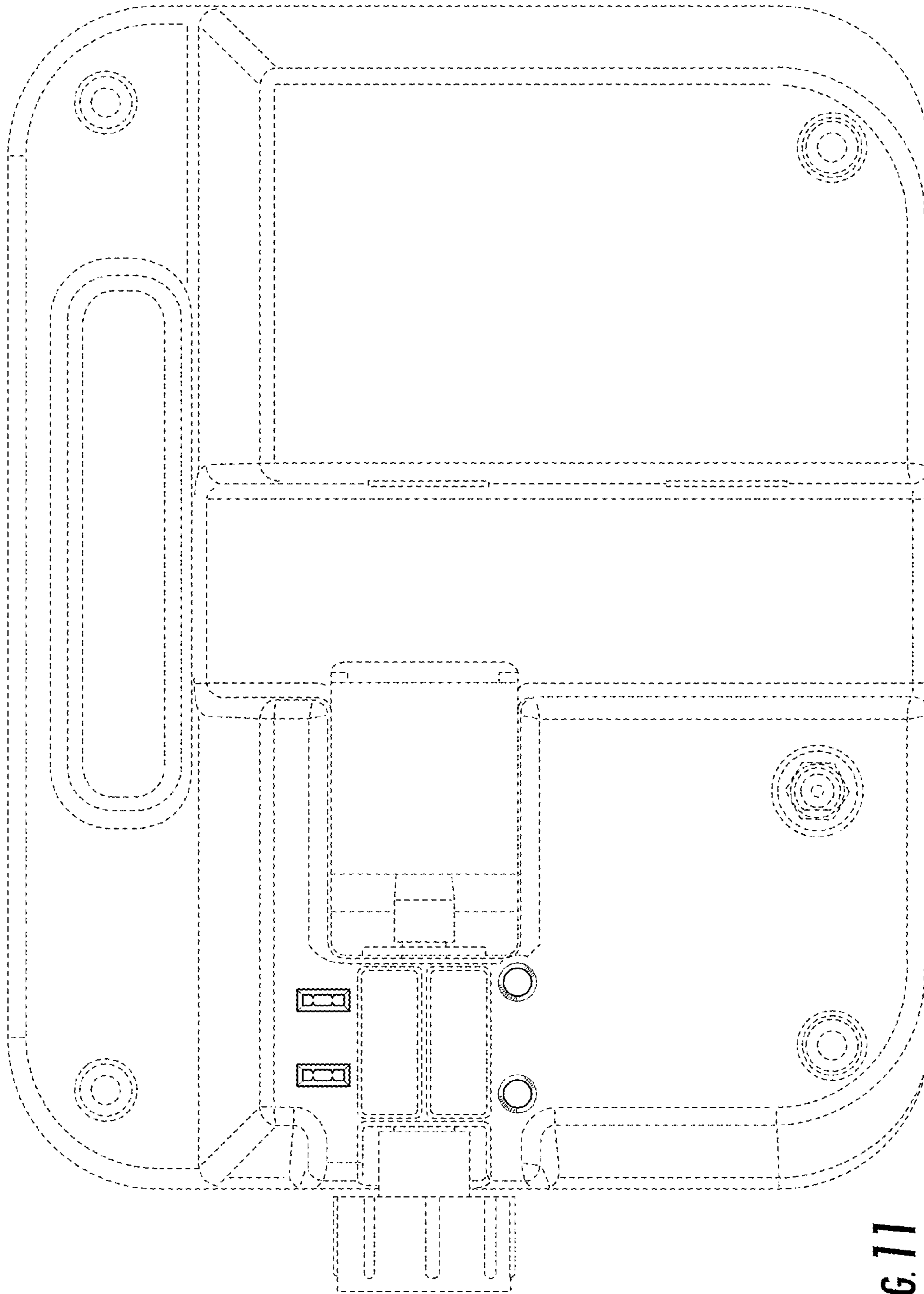


FIG. 11