



US00D744003S

(12) **United States Design Patent**  
**Ton**

(10) **Patent No.:** **US D744,003 S**

(45) **Date of Patent:** **\*\* Nov. 24, 2015**

(54) **PUMP COVER**

(71) Applicant: **Quy That Ton**, Baton Rouge, LA (US)

(72) Inventor: **Quy That Ton**, Baton Rouge, LA (US)

(\*\*) Term: **14 Years**

(21) Appl. No.: **29/508,959**

(22) Filed: **Nov. 12, 2014**

(51) **LOC (10) Cl.** ..... **15-02**

(52) **U.S. Cl.**  
USPC ..... **D15/7**

(58) **Field of Classification Search**  
USPC ..... D15/7-9; D23/231, 232; 417/410.1,  
417/359, 415-416, 234, 321, 265, 405, 15;  
60/578

CPC ..... F15B 7/04; F04B 49/00  
See application file for complete search history.

(56) **References Cited**

**U.S. PATENT DOCUMENTS**

D382,882 S \* 8/1997 Parker ..... D15/7  
D436,603 S \* 1/2001 Mackie et al. .... D15/9  
D589,060 S \* 3/2009 Metcalfe ..... D15/7

D602,501 S \* 10/2009 Ton ..... D15/7  
D606,099 S \* 12/2009 Lawyer et al. .... D15/7  
D611,504 S \* 3/2010 Ton ..... D15/7  
D622,736 S \* 8/2010 Le et al. .... D15/7  
D698,368 S \* 1/2014 Le et al. .... D15/7

\* cited by examiner

*Primary Examiner* — Ralf Seifert

(74) *Attorney, Agent, or Firm* — Minh N. Nguyen; Next IP Law Group LLP

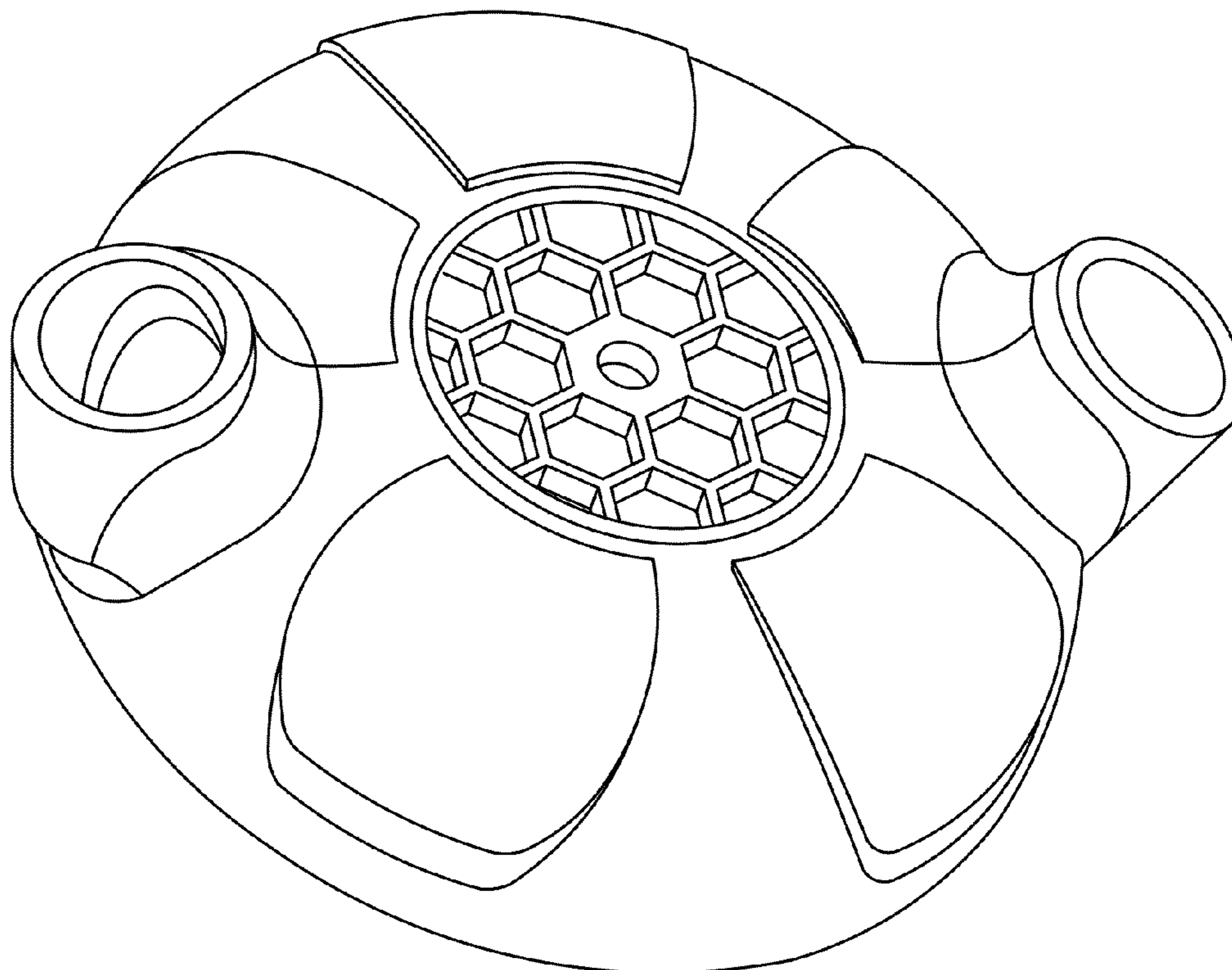
(57) **CLAIM**

The ornamental design for a pump cover, as shown and described.

**DESCRIPTION**

FIG. 1 is a perspective view showing the front and top views of my new pump cover design  
FIG. 2 is a top plane view thereof;  
FIG. 3 is a bottom plane view thereof;  
FIG. 4 is a front plane elevation view thereof, where the rear plane elevation view is similar to that of the front plane elevation view; and,  
FIG. 5 is a left plan view thereof, where the right plane view is similar to that of the left plane view.

**1 Claim, 4 Drawing Sheets**



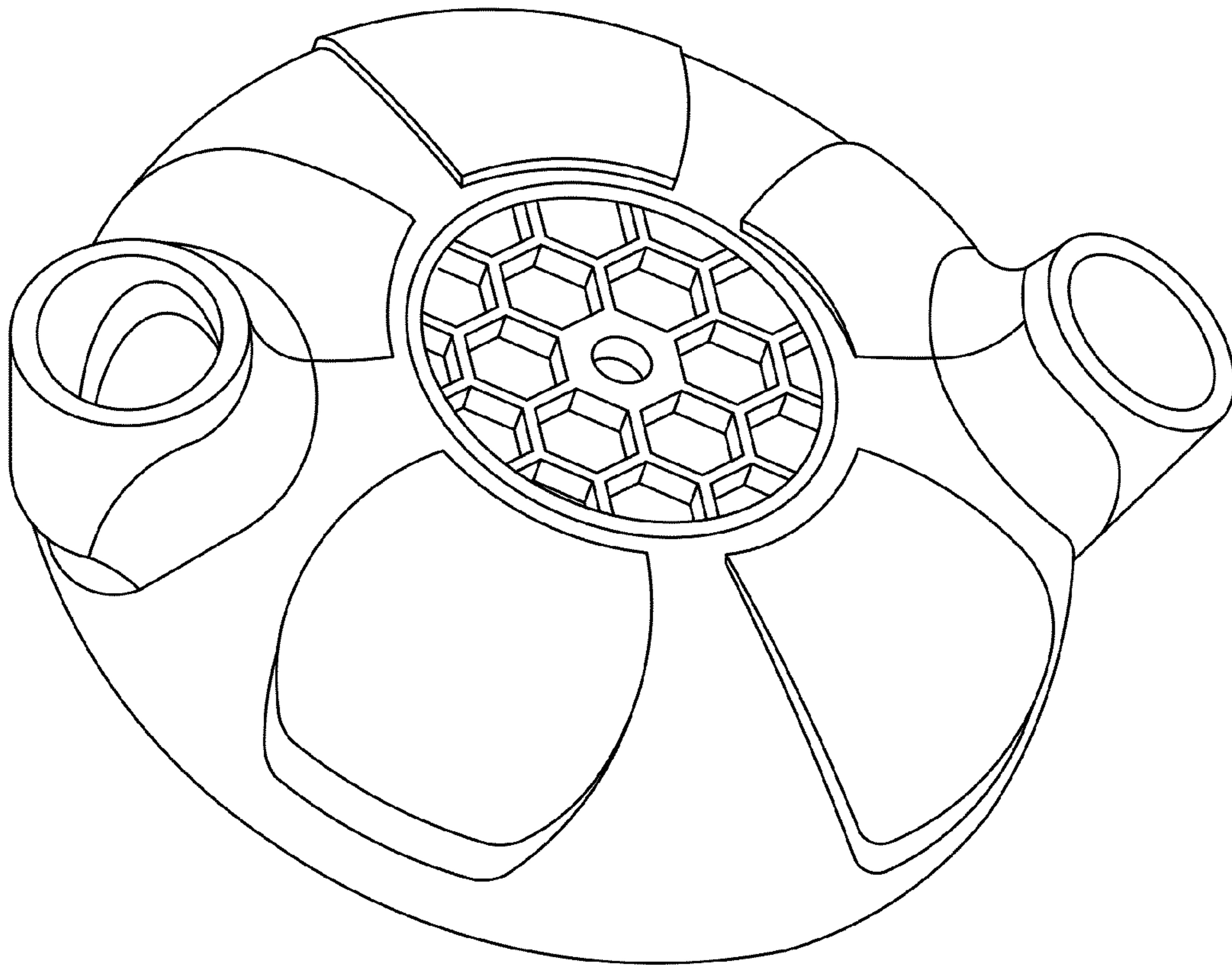


FIG. 1

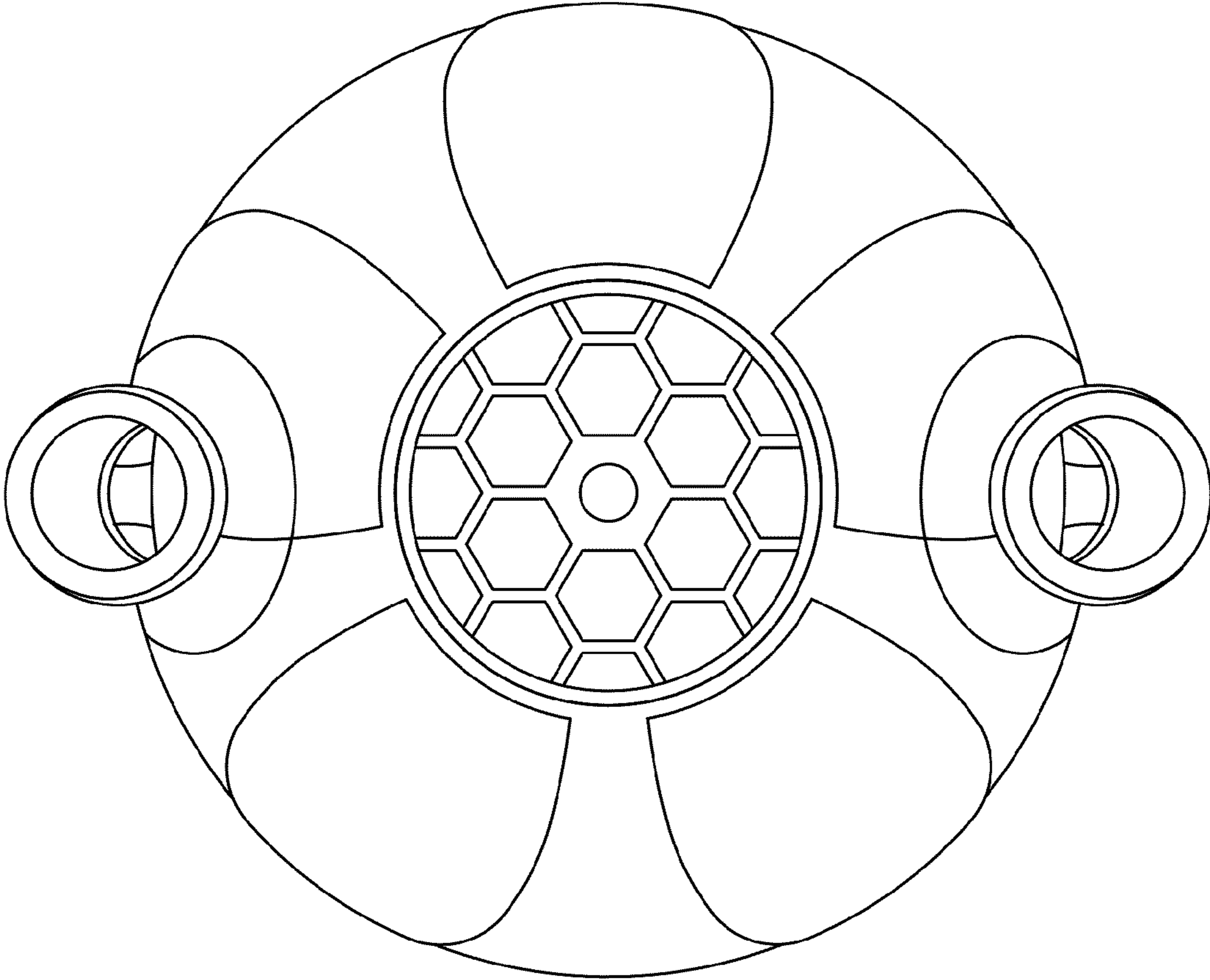


FIG. 2

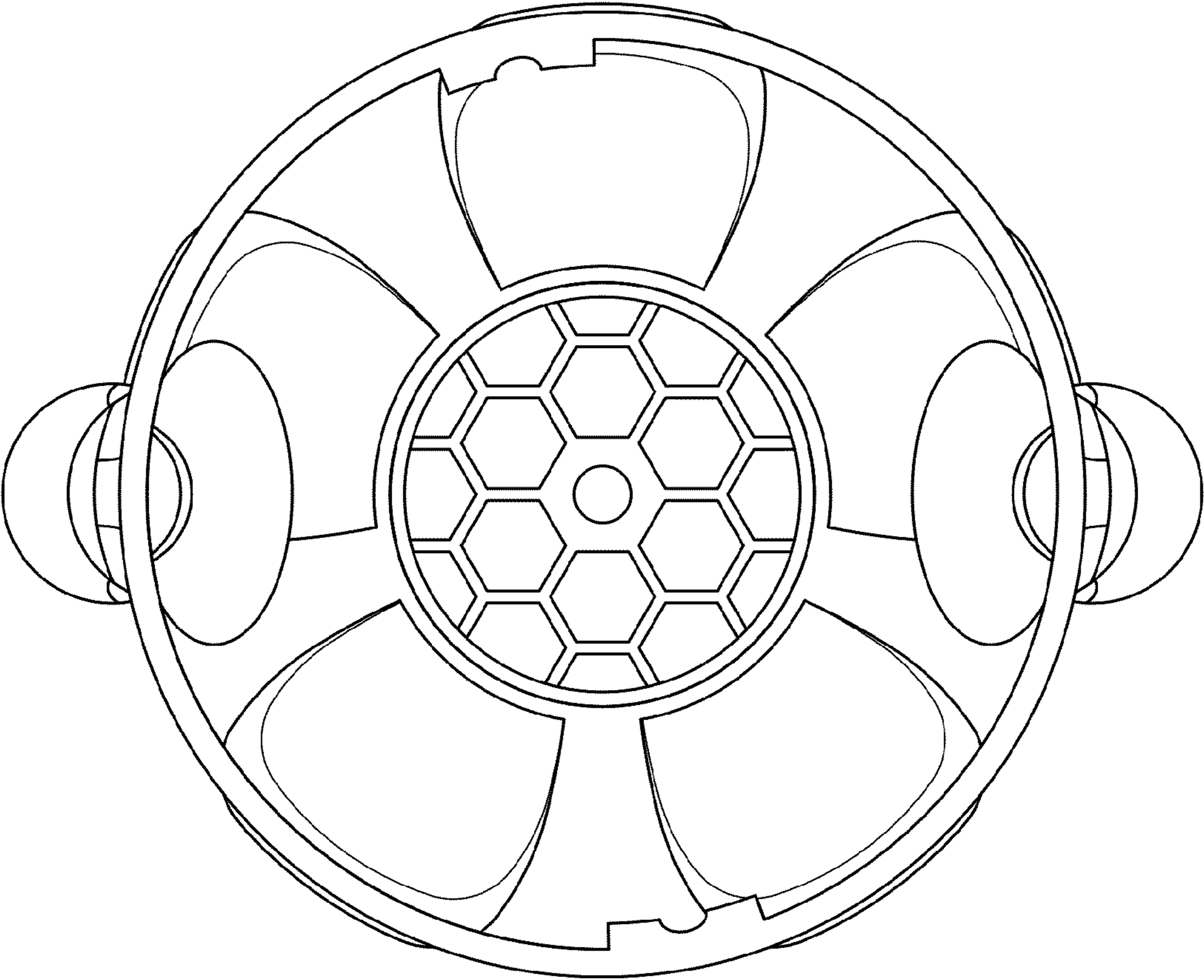


FIG. 3

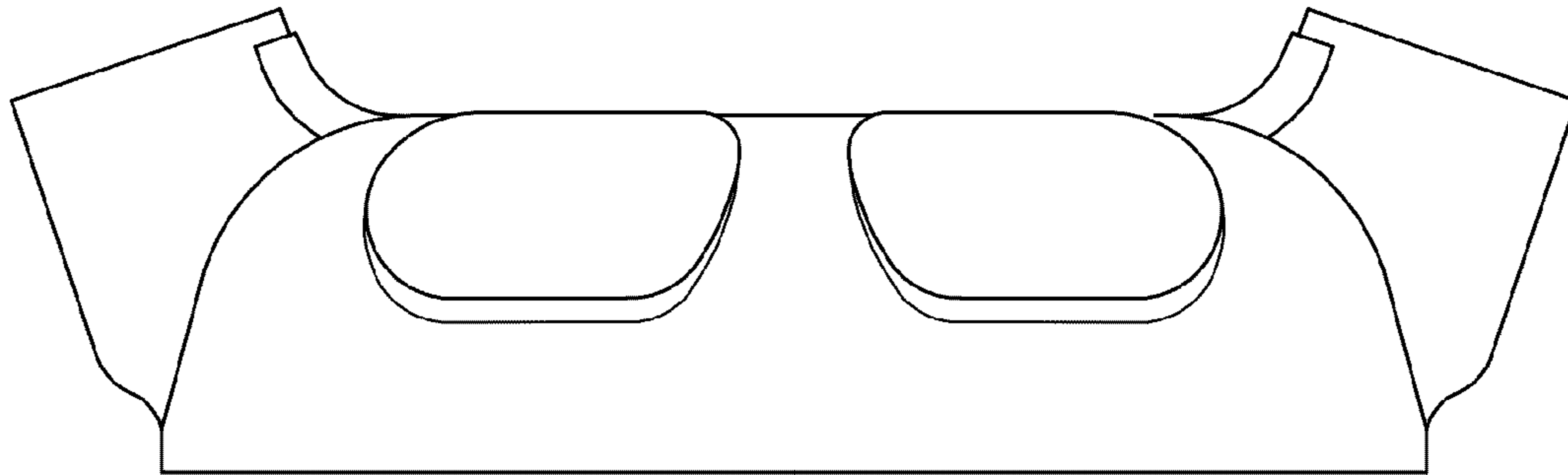


FIG. 4

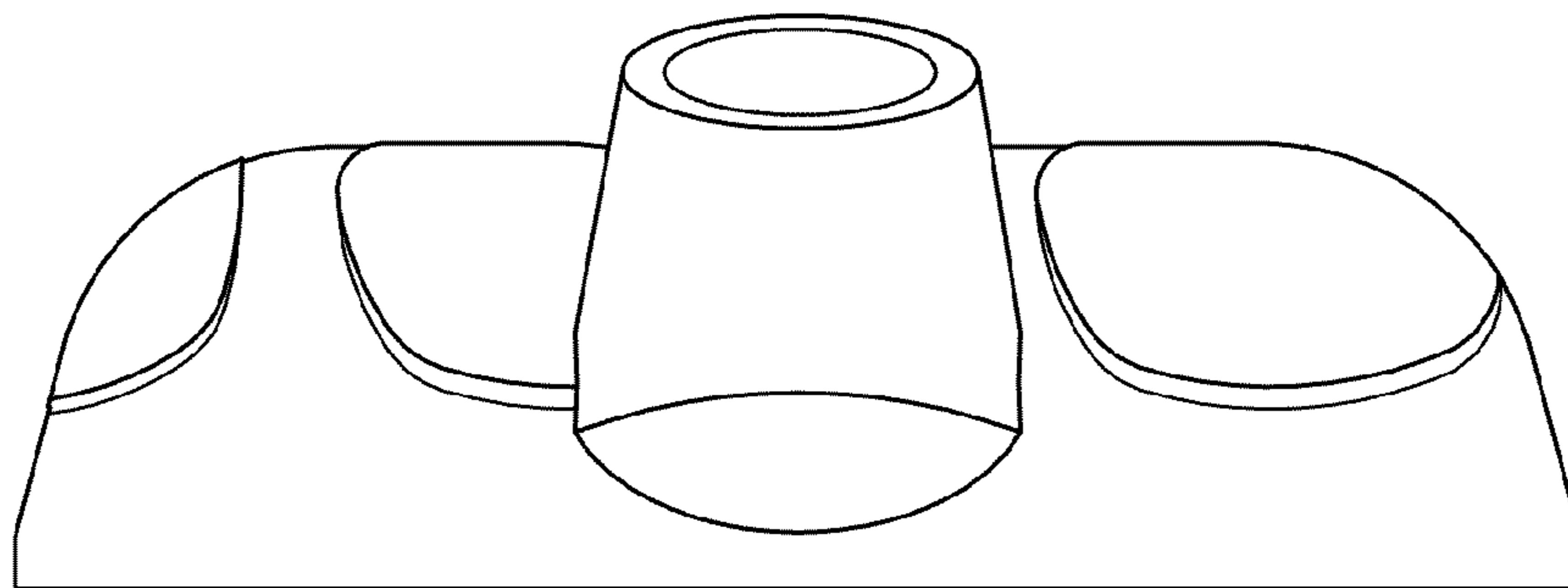


FIG. 5