



US00D744002S

(12) **United States Design Patent**
Scott et al.

(10) **Patent No.:** **US D744,002 S**

(45) **Date of Patent:** **** Nov. 24, 2015**

(54) **BICYCLE PUMP HEAD**

(71) Applicants: **Michael Scott**, Dallas, TX (US);
Matthew Karaus, North Bend, WA (US)

(72) Inventors: **Michael Scott**, Dallas, TX (US);
Matthew Karaus, North Bend, WA (US)

(73) Assignee: **Sol Marketing Concepts Inc**, Austin,
TX (US)

(**) Term: **14 Years**

(21) Appl. No.: **29/497,132**

(22) Filed: **Jul. 21, 2014**

(51) **LOC (10) Cl.** **15-02**

(52) **U.S. Cl.**
USPC **D15/7**

(58) **Field of Classification Search**
USPC D15/7-9; D23/231, 232, 225; 417/60,
417/235, 265, 321, 355, 358, 363, 359,
417/410.1, 415-416, 405, 900, 63; 60/408,
60/412; 184/26-37; 415/140-147;
123/495, 509; 137/565.34; 152/415
CPC F02M 37/04; F02M 37/14
See application file for complete search history.

(56) **References Cited**

U.S. PATENT DOCUMENTS

D358,397 S * 5/1995 Phillips et al. D15/7
D392,650 S * 3/1998 Zarnowitz D15/7

7,331,768 B2 * 2/2008 Wu 417/63
D632,306 S * 2/2011 Wang D15/7
D632,307 S * 2/2011 Wang D15/7
D686,639 S * 7/2013 Dooley D15/7
D723,660 S * 3/2015 Hatta et al. D23/233

* cited by examiner

Primary Examiner — Ralf Seifert

(74) *Attorney, Agent, or Firm* — Darren J. Jones; Lowe
Graham Jones PLLC

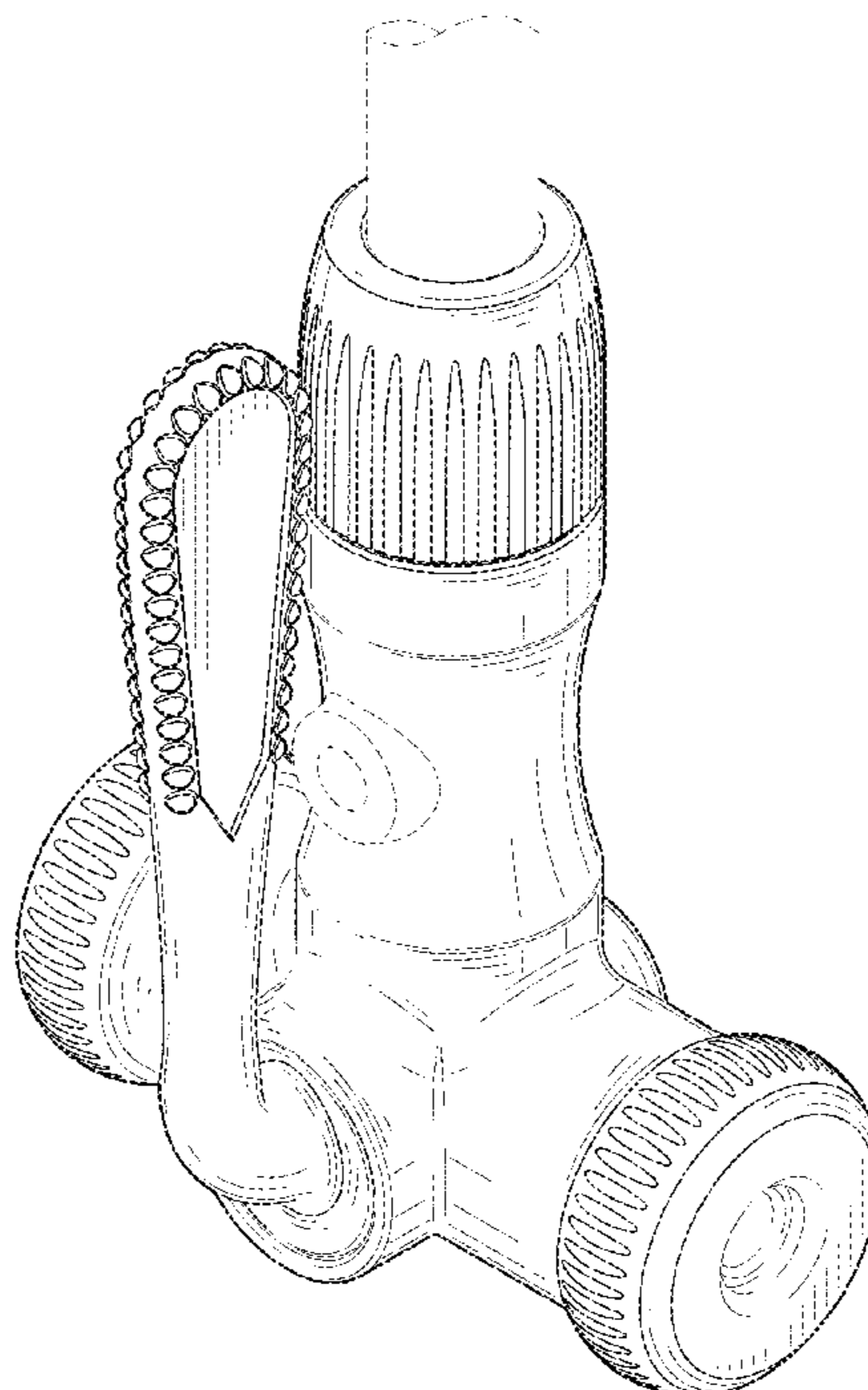
(57) **CLAIM**

We claim the ornamental design for the bicycle pump head, as
shown and described.

DESCRIPTION

FIG. 1 is a front isometric view of the bicycle pump head,
showing our new design;
FIG. 2 is a front-elevational view of the bicycle pump head;
FIG. 3 is a left side-elevational view of the bicycle pump
head;
FIG. 4 is a rear-elevational view of the bicycle pump head;
FIG. 5 is a right side-elevational view of the bicycle pump
head;
FIG. 6 is a top view of the of the bicycle pump head; and,
FIG. 7 is a bottom view of the bicycle pump head.
The broken line showing of elements is included for the
purpose of illustrating non-claimed environmental matter and
form no part of the claimed design.

1 Claim, 6 Drawing Sheets



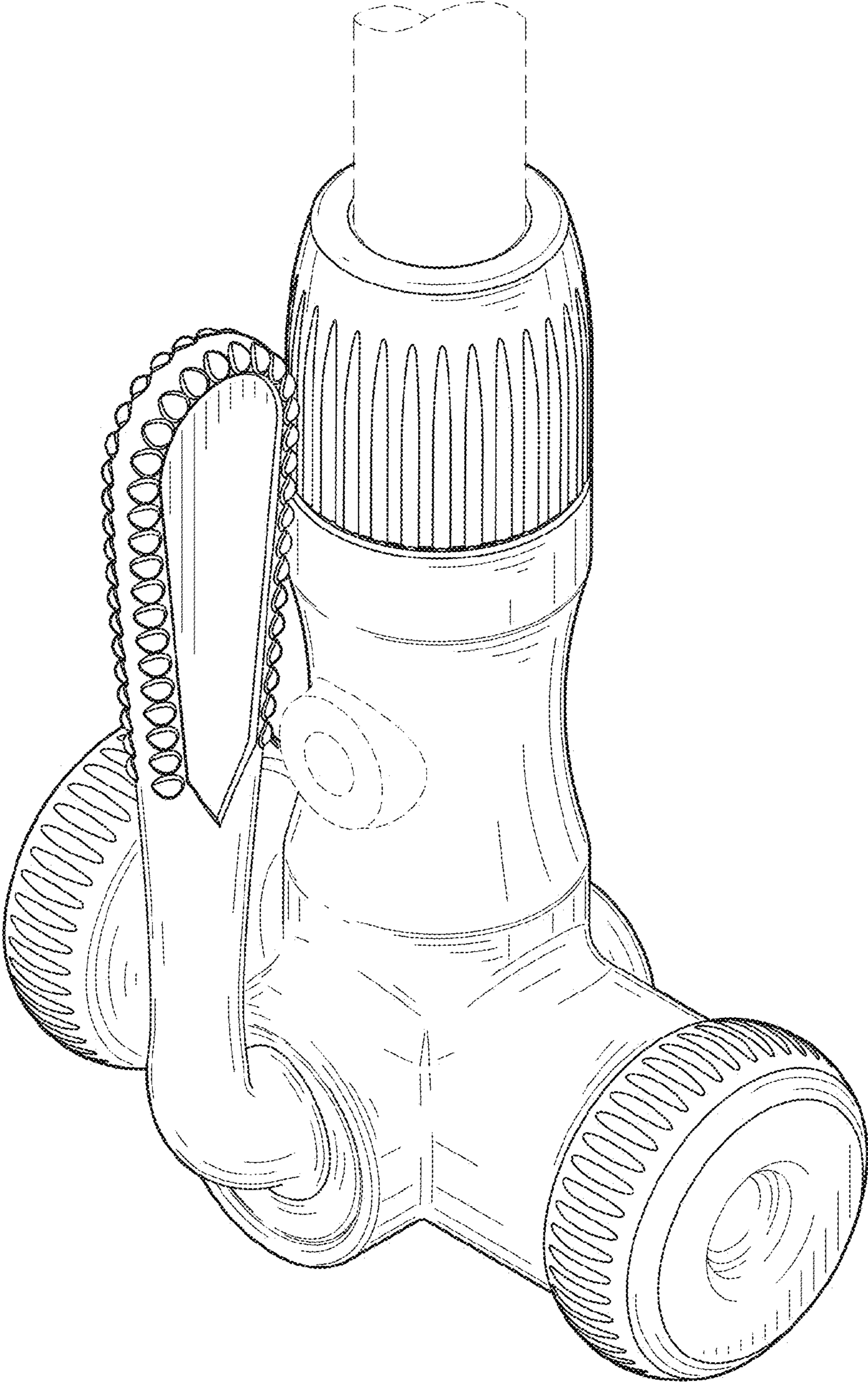


FIG. 1

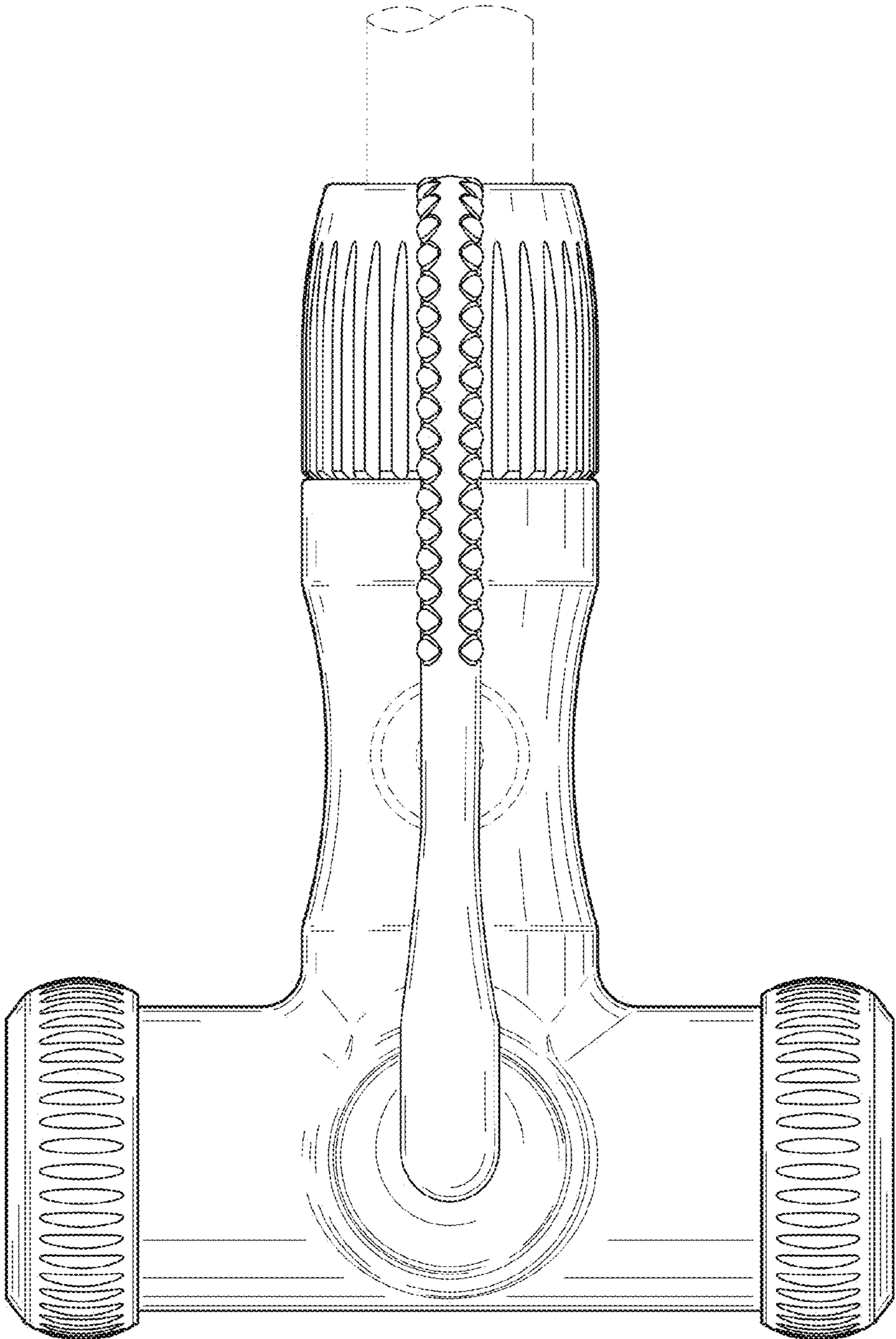


FIG.2

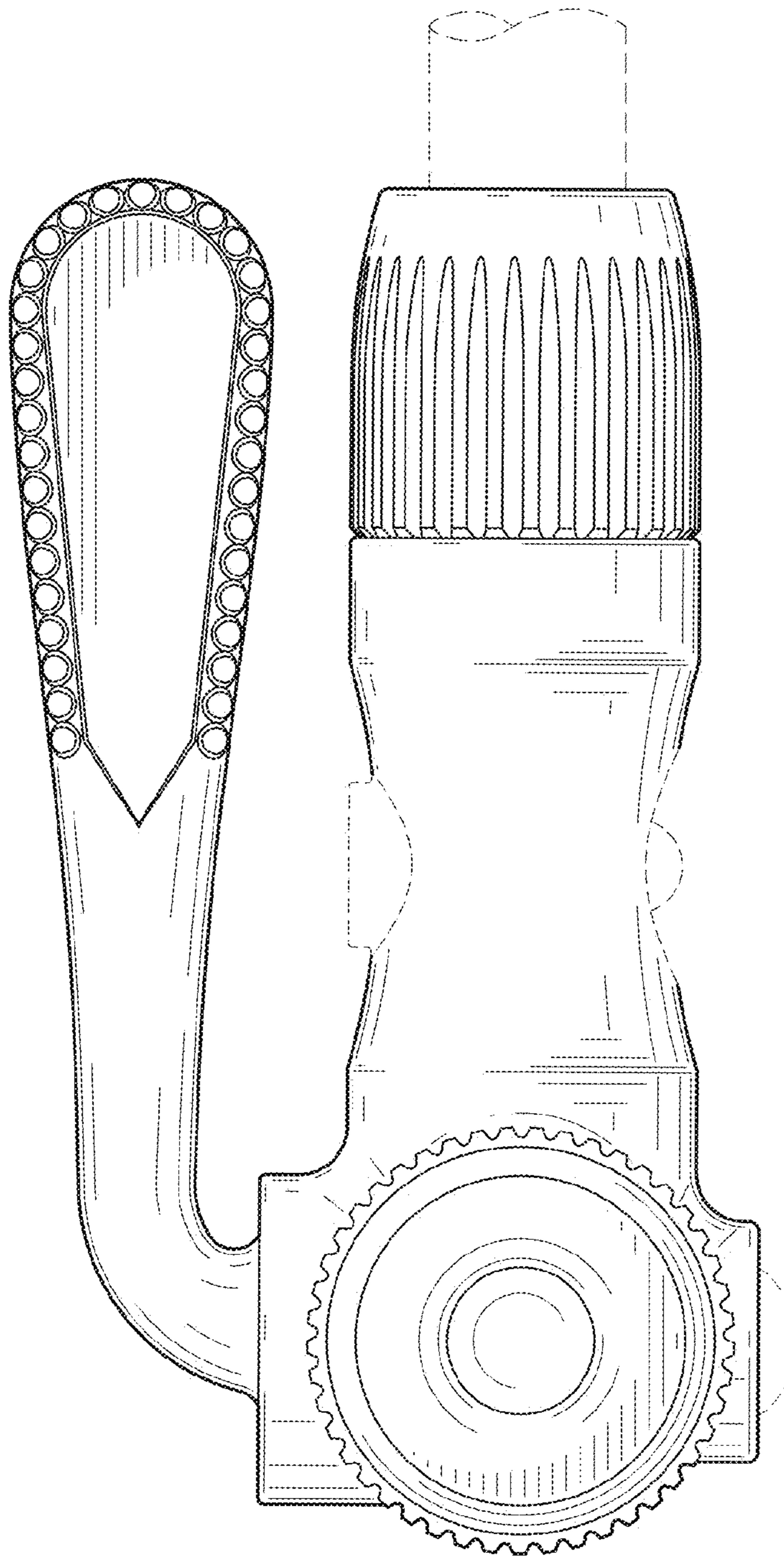


FIG. 3

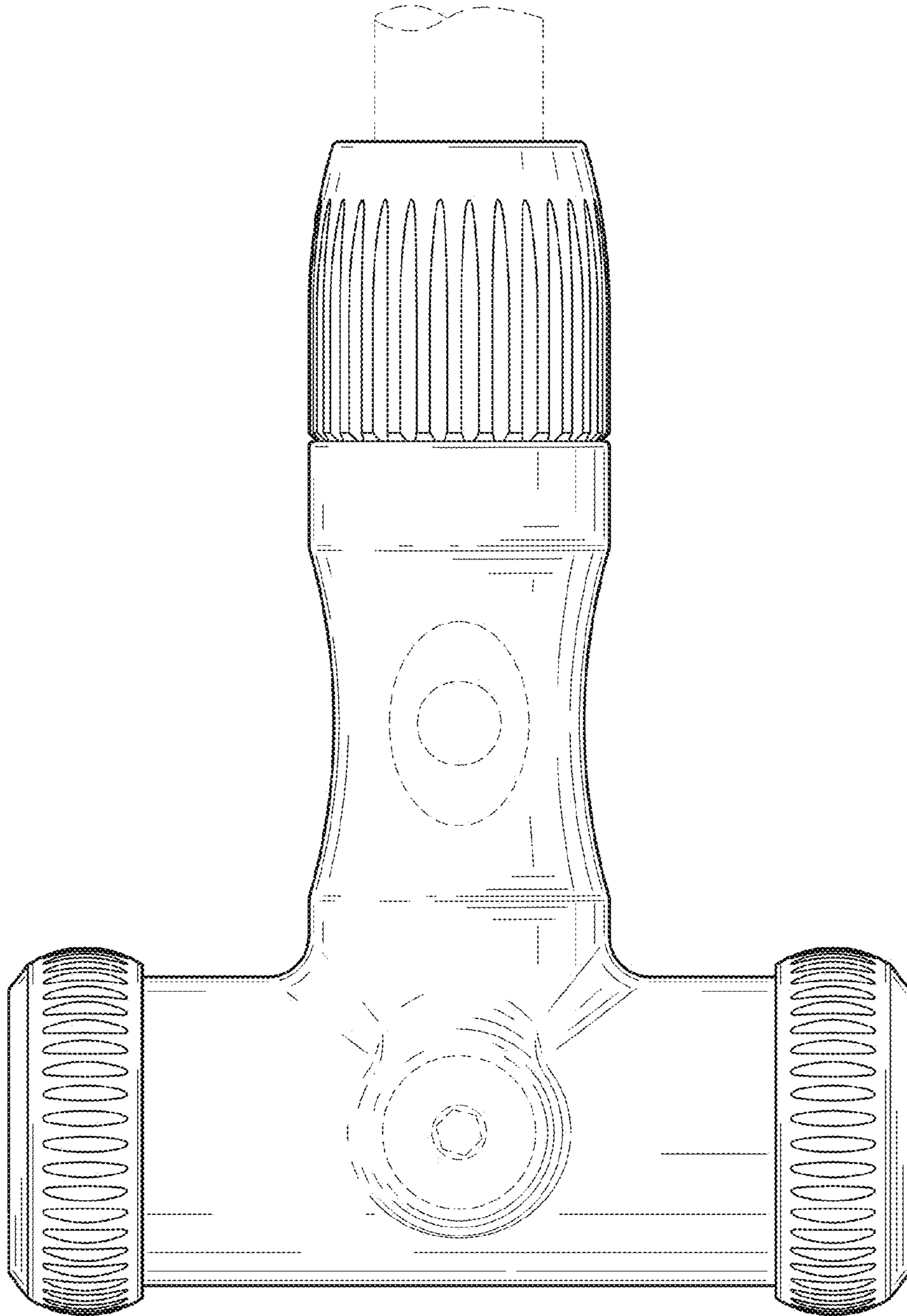


FIG. 4

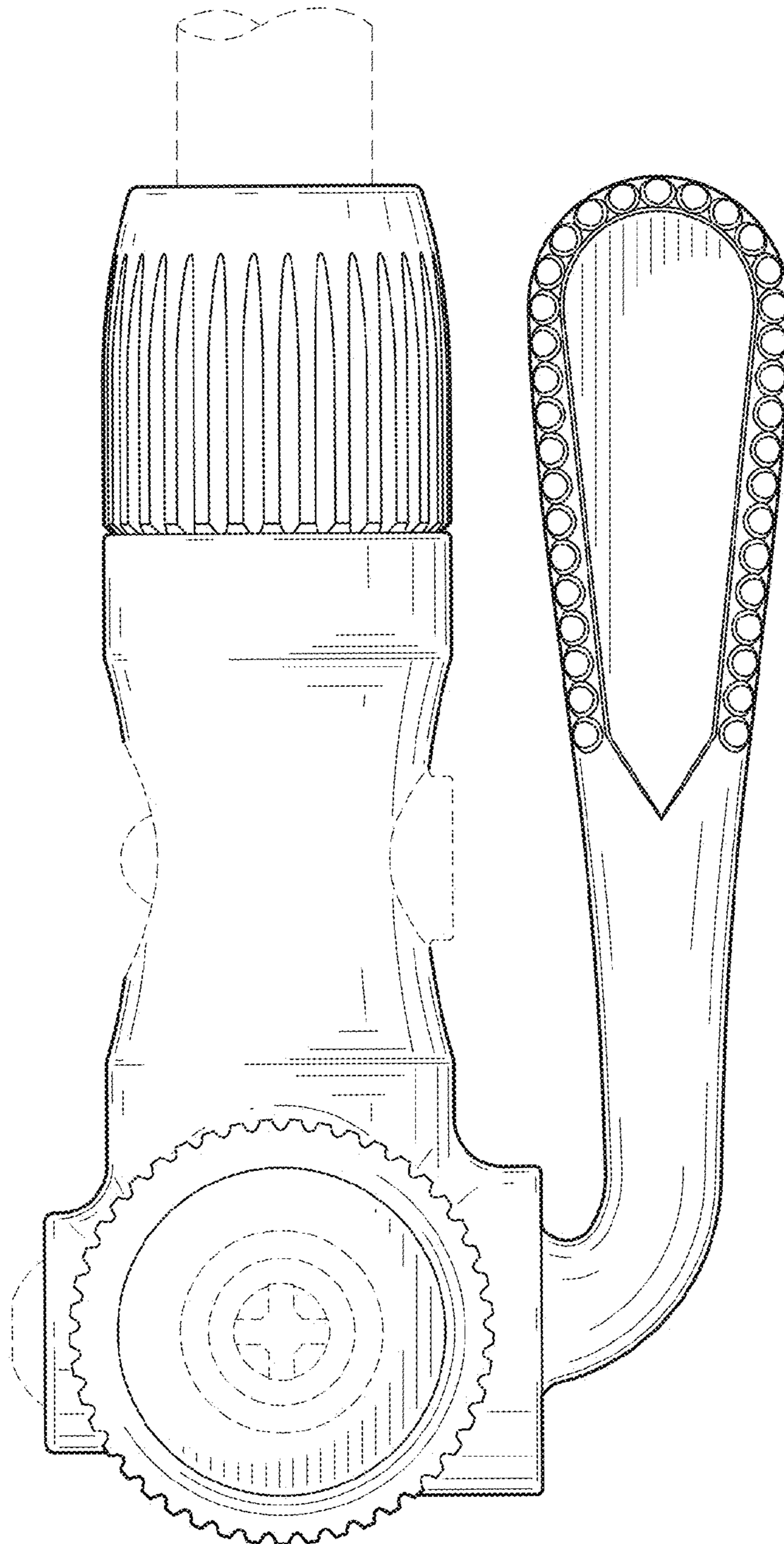


FIG. 5

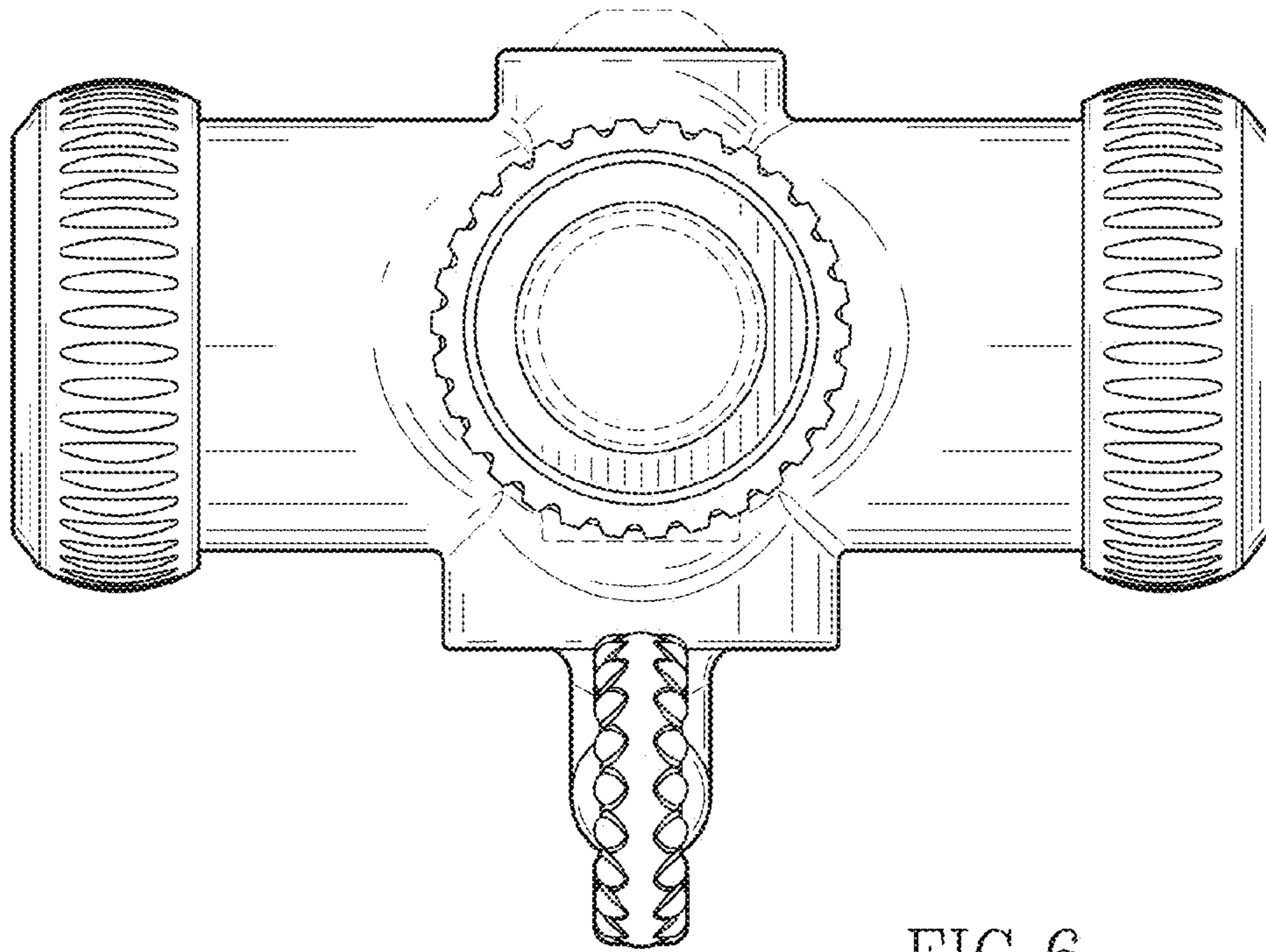


FIG. 6

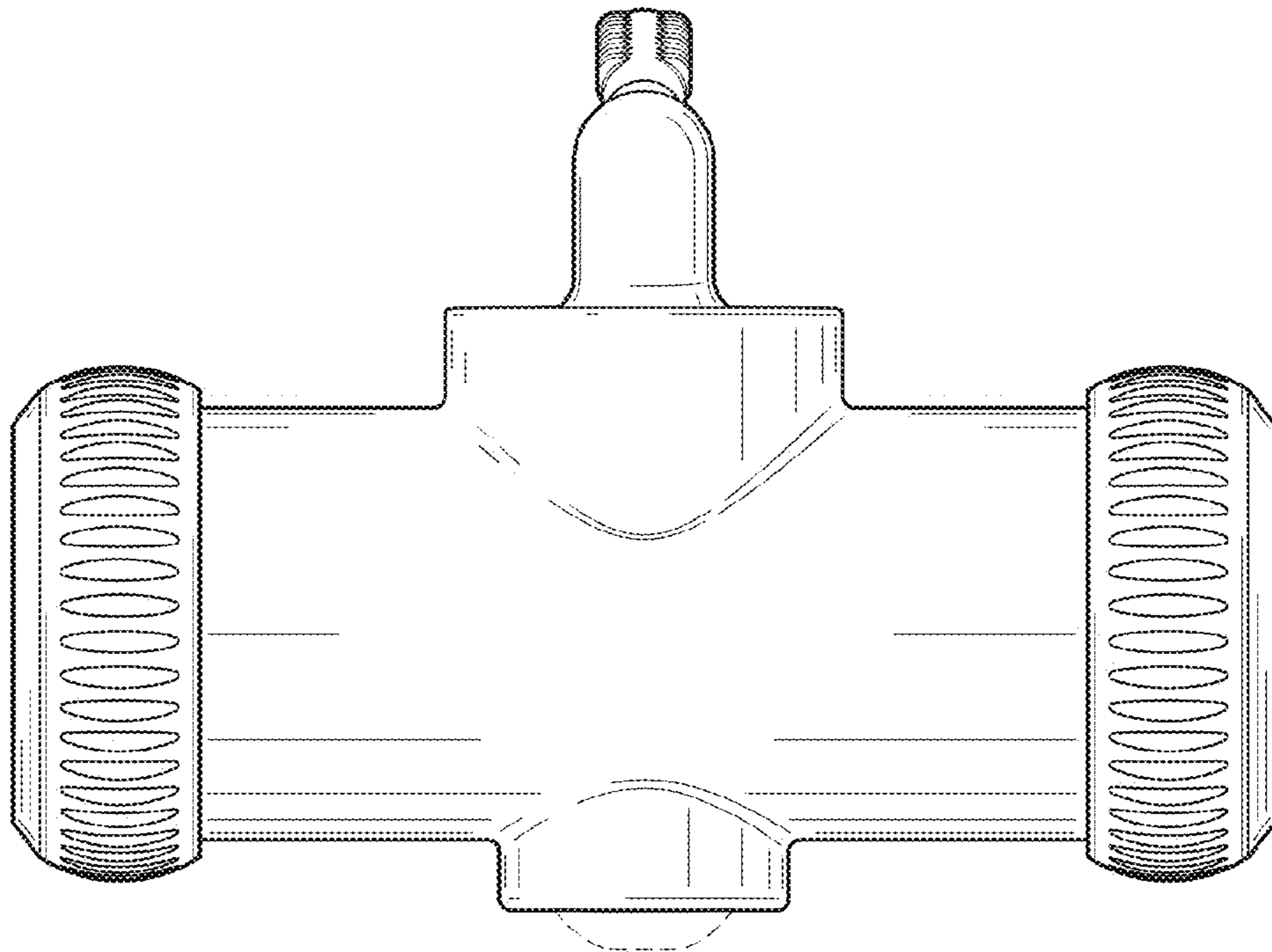


FIG. 7