



US00D743975S

(12) **United States Design Patent**  
**Herold et al.**

(10) **Patent No.:** **US D743,975 S**

(45) **Date of Patent:** **\*\* Nov. 24, 2015**

(54) **DISPLAY SCREEN WITH ANIMATED GRAPHICAL USER INTERFACE**

(71) Applicant: **Microsoft Corporation**, Redmond, WA (US)

(72) Inventors: **Jeffrey Alan Herold**, Kirkland, WA (US); **Nicholas R. Barling**, Redmond, WA (US); **Charla Pereira**, Seattle, WA (US); **Arianne Taylor**, Woodinville, WA (US)

(73) Assignee: **Microsoft Corporation**, Redmond, WA (US)

(\*\*) Term: **14 Years**

(21) Appl. No.: **29/478,853**

(22) Filed: **Jan. 9, 2014**

(51) **LOC (10) Cl.** ..... **14-04**

(52) **U.S. Cl.**  
USPC ..... **D14/485**

(58) **Field of Classification Search**  
USPC ..... D14/485–495  
CPC ..... G06F 3/04815; G06F 3/04817; G06F 3/0483; G06F 3/0482; G06F 3/0484  
See application file for complete search history.

(56) **References Cited**

U.S. PATENT DOCUMENTS

|          |   |   |        |                      |       |         |
|----------|---|---|--------|----------------------|-------|---------|
| D295,877 | S | * | 5/1988 | Wells-Papanek et al. | ...   | D14/492 |
| D550,233 | S | * | 9/2007 | Vigesaa              | ..... | D14/487 |
| D563,972 | S | * | 3/2008 | Sherry               | ..... | D14/487 |
| D574,839 | S | * | 8/2008 | Jasinski             | ..... | D14/485 |
| D586,357 | S | * | 2/2009 | Jasinski             | ..... | D14/486 |
| D588,607 | S | * | 3/2009 | O'Donnell et al.     | ..... | D14/489 |
| D615,986 | S | * | 5/2010 | Jasinski             | ..... | D14/485 |
| D619,613 | S | * | 7/2010 | Dunn                 | ..... | D14/488 |
| D645,879 | S | * | 9/2011 | Cavanaugh et al.     | ..... | D14/488 |
| D655,710 | S | * | 3/2012 | Inada et al.         | ..... | D14/485 |

|              |    |   |         |                 |       |         |
|--------------|----|---|---------|-----------------|-------|---------|
| D684,161     | S  | * | 6/2013  | Truelove et al. | ..... | D14/485 |
| 2010/0257469 | A1 | * | 10/2010 | Kim et al.      | ..... | 715/763 |
| 2011/0074807 | A1 | * | 3/2011  | Inada et al.    | ..... | 345/589 |

OTHER PUBLICATIONS

William Baxter and Naga Govindaraju, Simple Data-Driven Modeling of Brushes, published Feb. 2010, by Association for Computing Machinery, Inc., USA [online]. [retrieved Jul. 16, 2013]. Retrieved from Internet, URL: <<http://research.microsoft.com/apps/pubs/default.aspx?id=120512&gt>>.

(Continued)

*Primary Examiner* — Angela J Lee

(74) *Attorney, Agent, or Firm* — Banner & Witcoff, Ltd.

(57) **CLAIM**

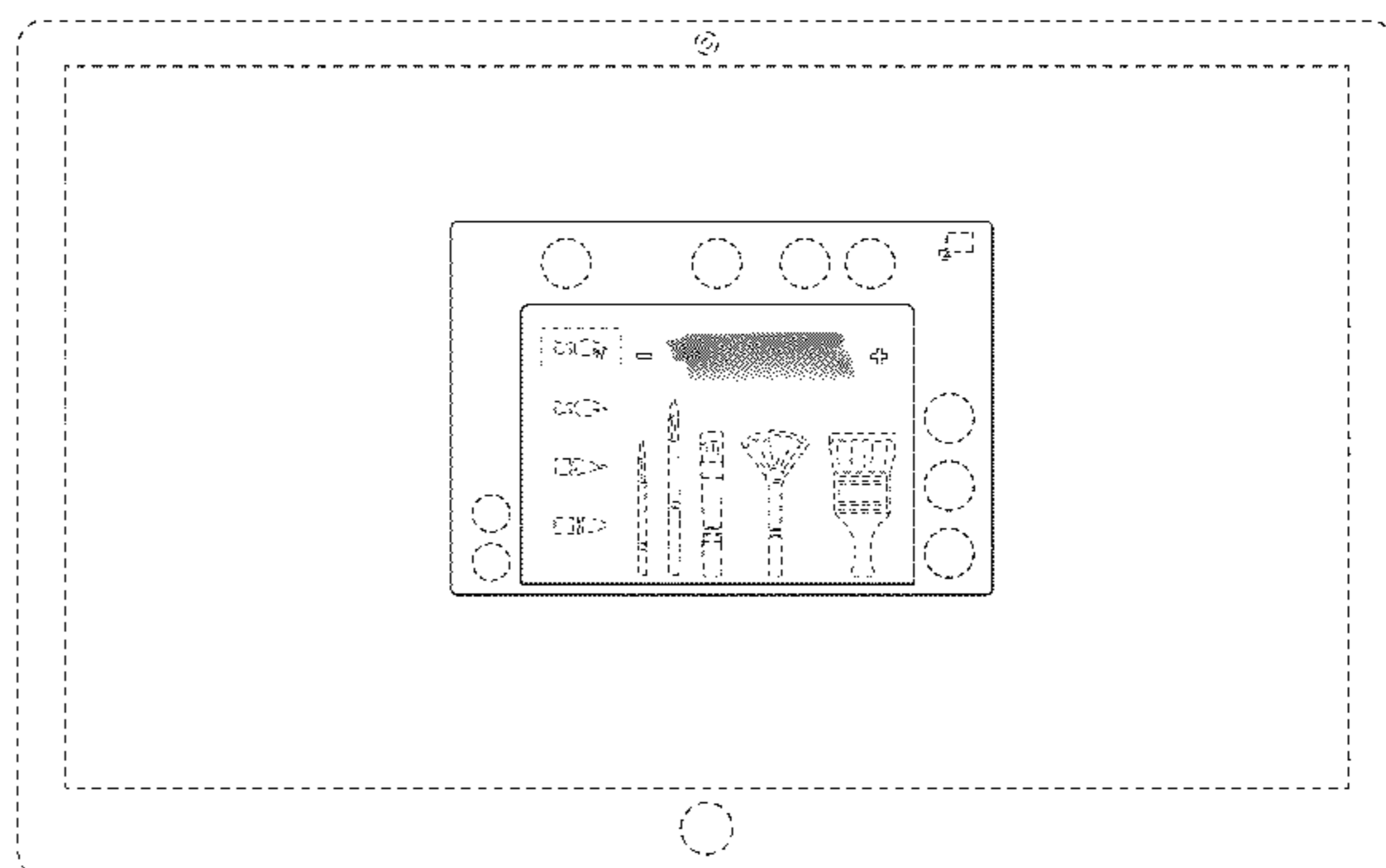
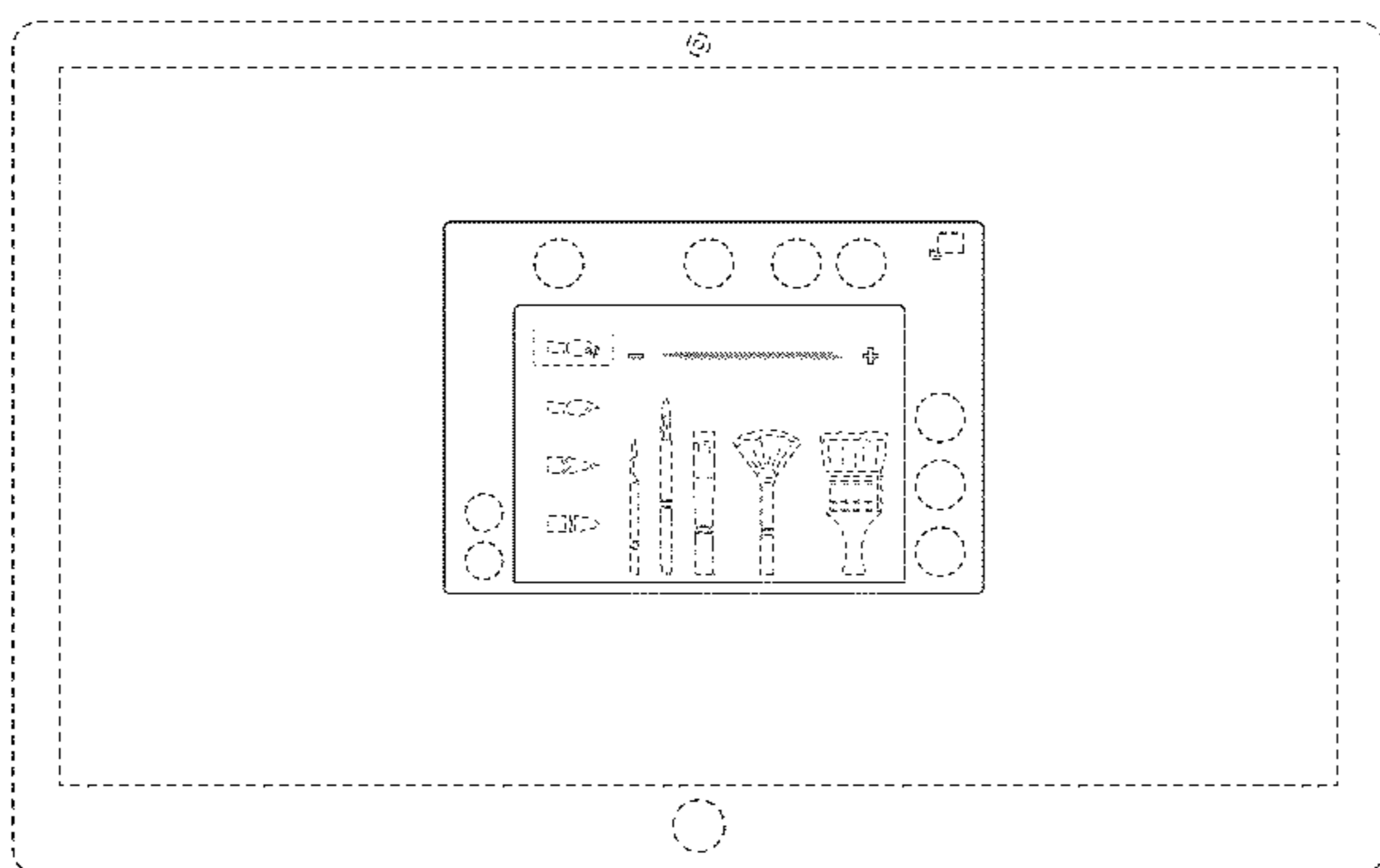
The ornamental design for a display screen with animated graphical user interface, as shown and described.

**DESCRIPTION**

FIG. 1 is the first image in a sequence for a display screen with animated graphical user interface showing our new design; FIG. 2 is the second image thereof; FIG. 3 is the third image thereof; FIG. 4 is the fourth image thereof; FIG. 5 is the fifth image thereof; FIG. 6 is the sixth image thereof; and, FIG. 7 is the seventh image thereof.

The appearance of the animated graphical user interface sequentially transitions between the images shown in FIGS. 1-7. The process or period in which one image transitions to another forms no part of the claimed design. The broken line showing of the paint brushes, various icons, the remainder of the user interface, and the remainder of the display screen is for environmental purposes only and forms no part of the claimed design.

**1 Claim, 7 Drawing Sheets**



(56)

**References Cited**

OTHER PUBLICATIONS

Nelson Chu et al., Detail Preserving Paint Modeling for 3D Brushes, published Jun. 7, 2010, by Association for Computing Machinery, Inc., USA [online]. [retrieved Jul. 16, 2013]. Retrieved from Internet, URL: <http://research.microsoft.com/apps/pubs/default.aspx?id=121930>&gt;.

Project Gustav: Immersive Digital Painting, published Mar. 2, 2010, by Microsoft Corporation, Redmond, WA, USA [online]. [retrieved Jul. 16, 2013]. Retrieved from Internet, URL: <http://research.microsoft.com/en-us/projects/gustav/default.aspx>&gt;.

Screenshots of Microsoft Paint program, published by Microsoft Corporation, Redmond, WA, USA. Print date Jul. 16, 2013. Date released unknown, but prior to the filing of the present application.

\* cited by examiner

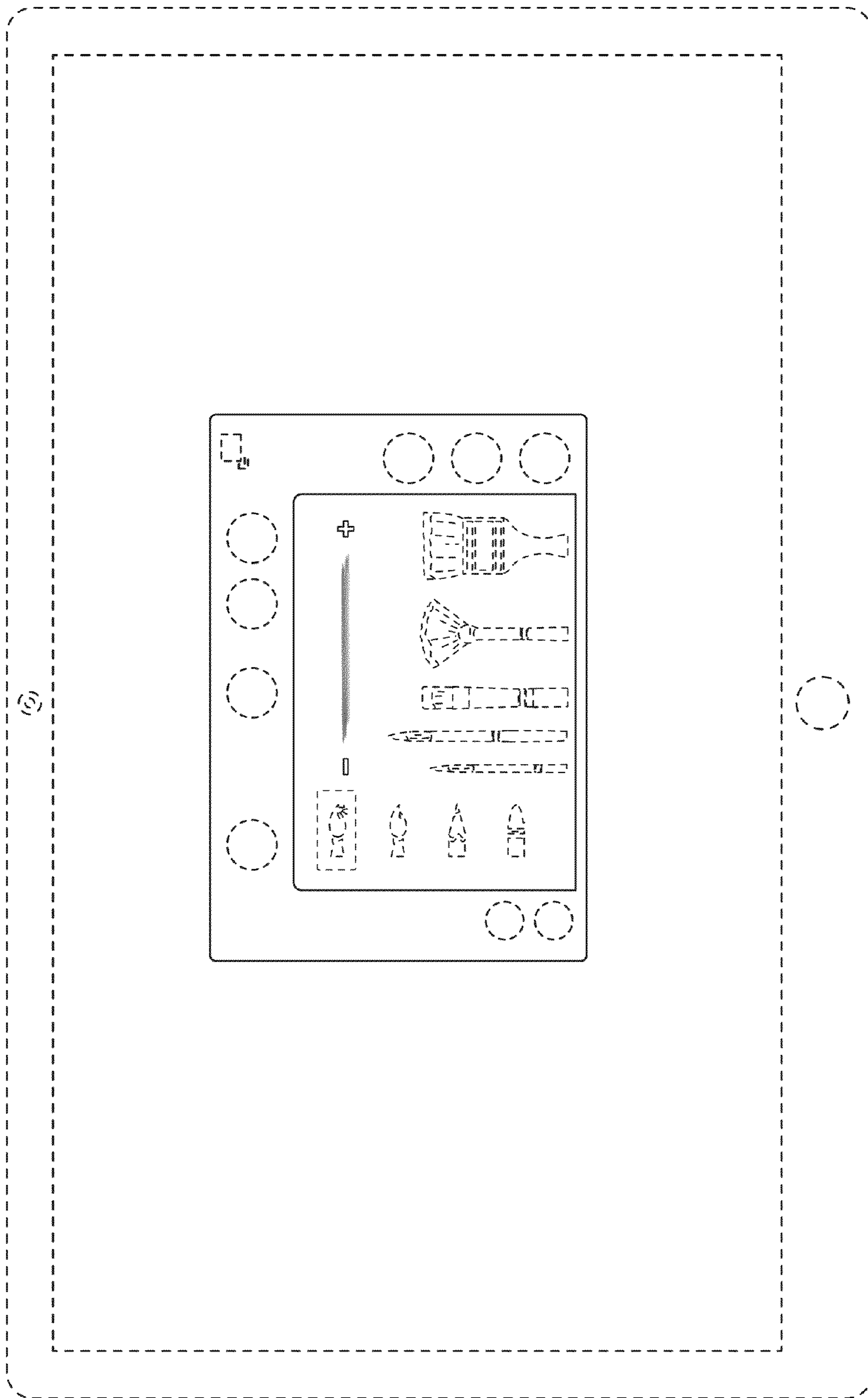


FIG. 1

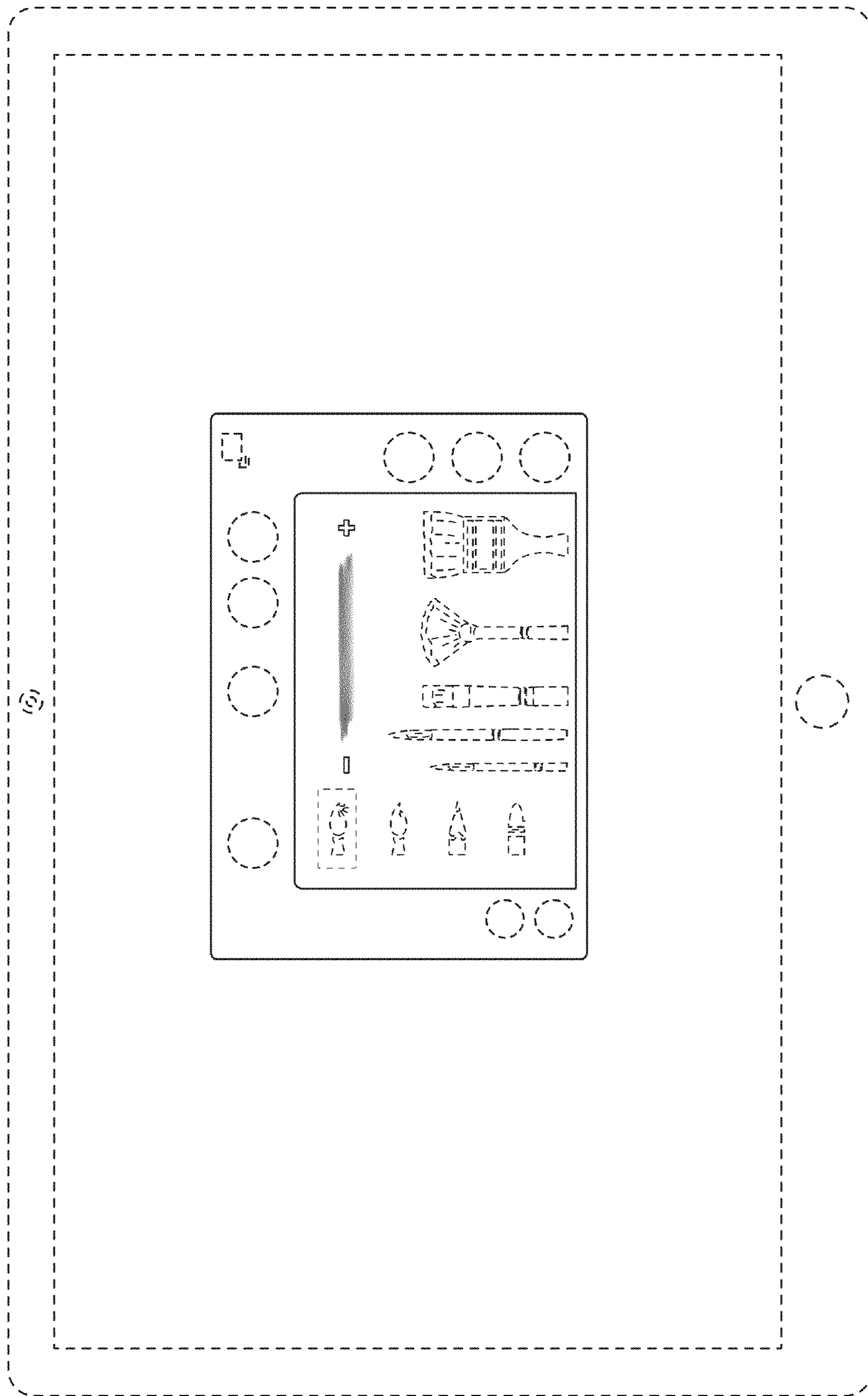


FIG. 2

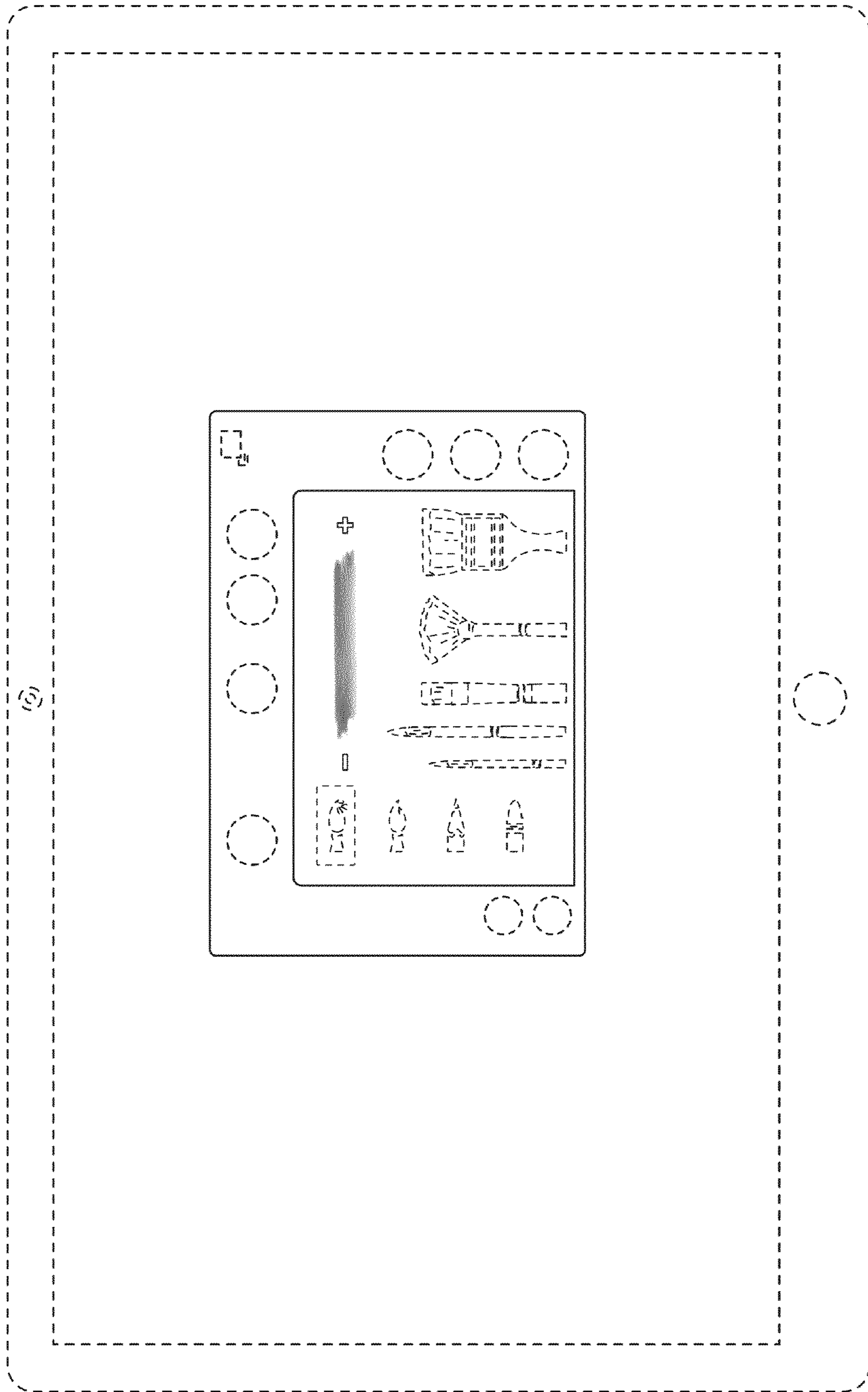


FIG. 3

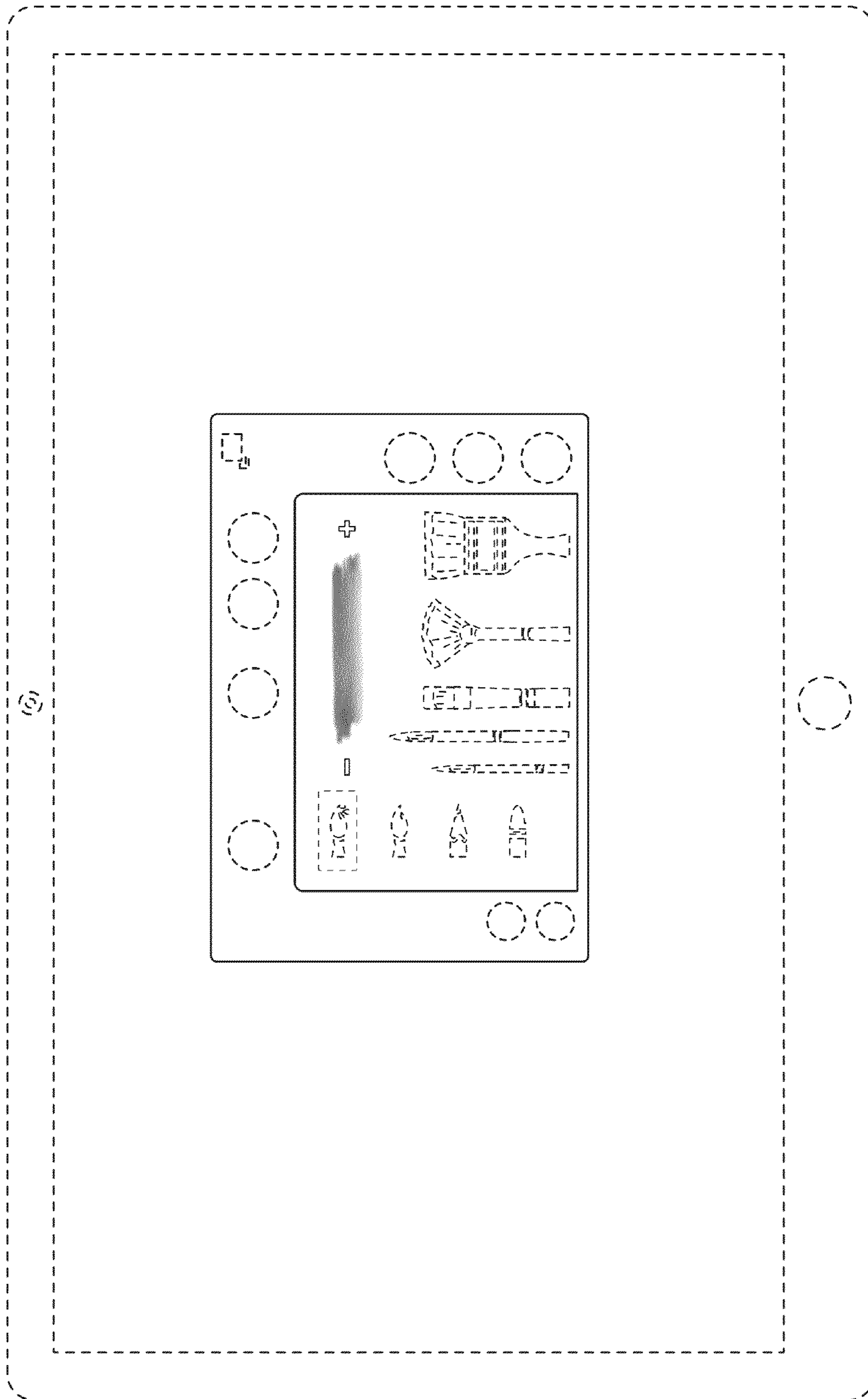


FIG. 4

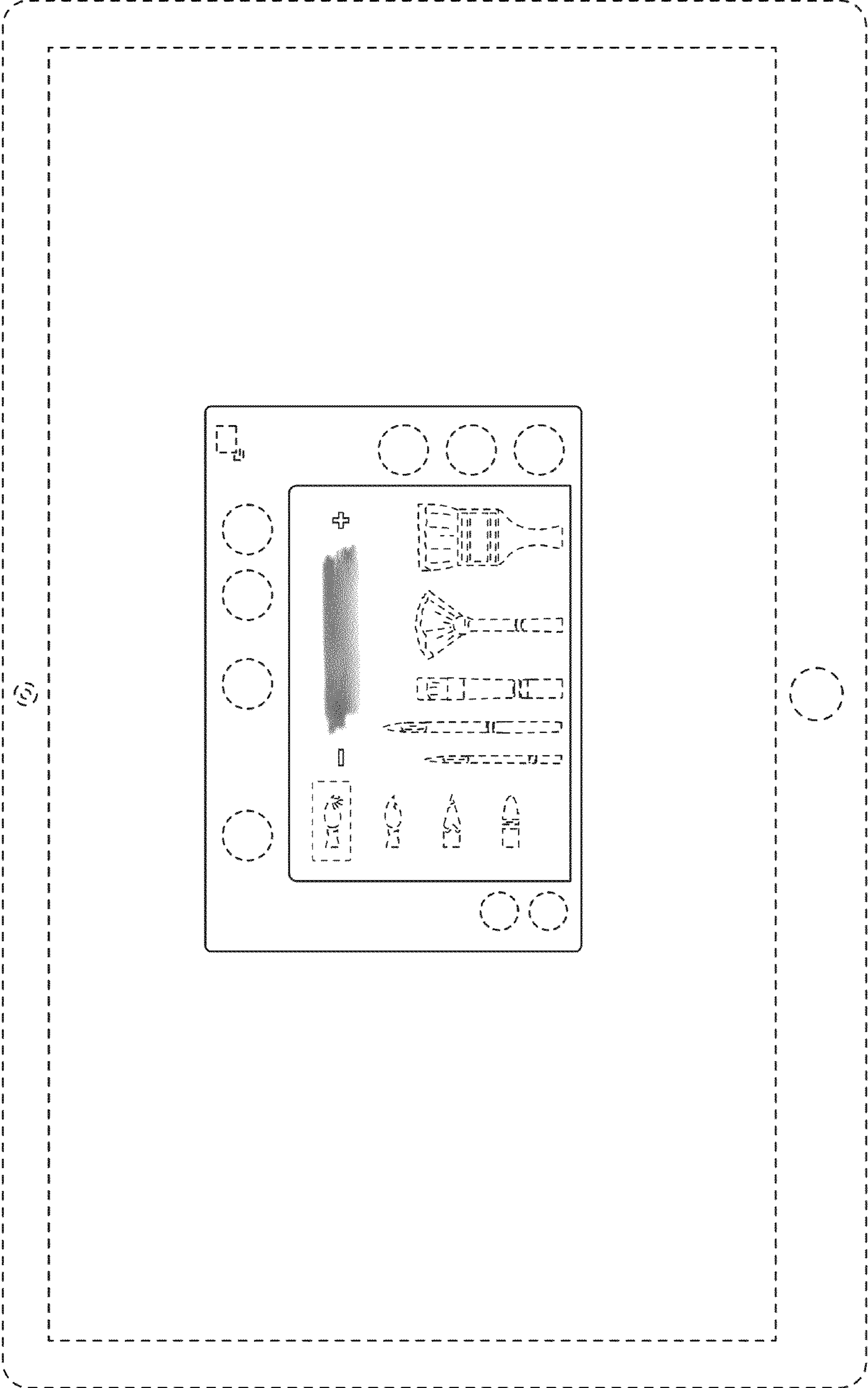


FIG. 5

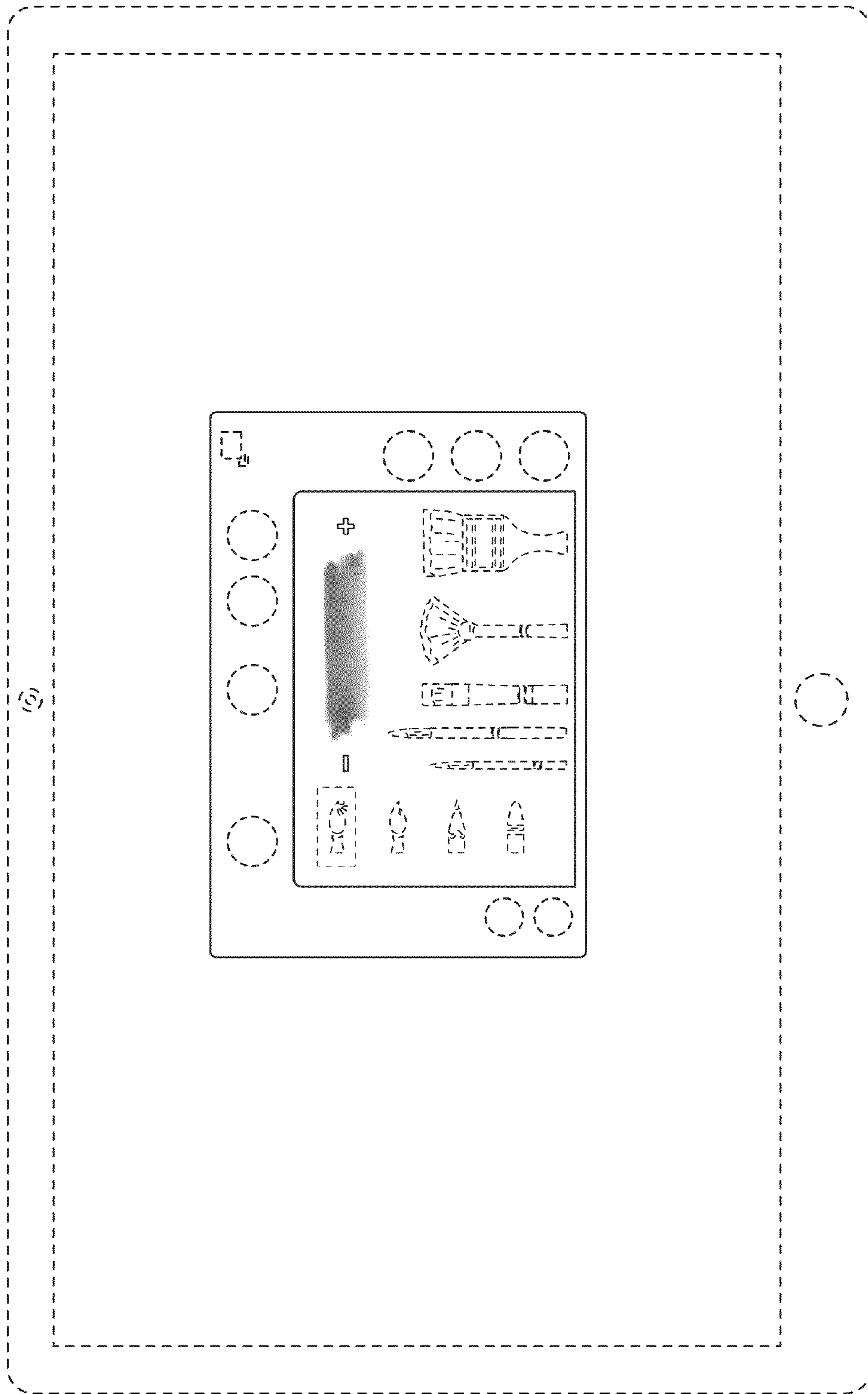


FIG. 6



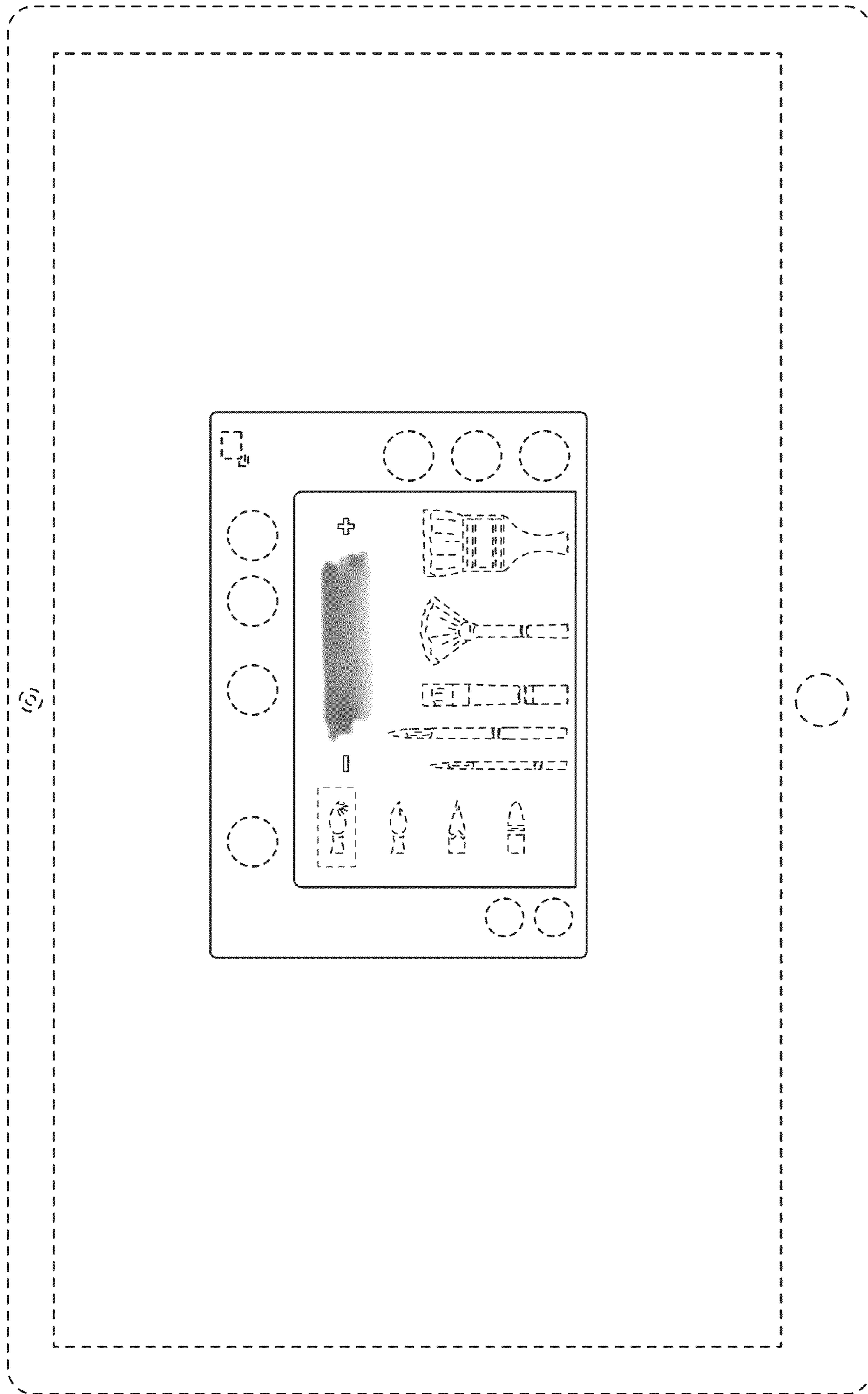


FIG. 7