



US00D743972S

(12) **United States Design Patent**
Yoon et al.

(10) **Patent No.:** **US D743,972 S**
(45) **Date of Patent:** **** Nov. 24, 2015**

(54) **GRAPHIC USER INTERFACE FOR A DISPLAY SCREEN OR A PORTION THEREOF**

(71) Applicant: **SAMSUNG ELECTRONICS CO., LTD.**, Suwon-si, Gyeonggi-do (KR)

(72) Inventors: **Seo-Young Yoon**, Seoul (KR);
Hyo-Sang Bang, Seoul (KR); **Yun-Ji Yoo**, Seoul (KR)

(73) Assignee: **SAMSUNG ELECTRONICS CO., LTD.** (KR)

(**) Term: **14 Years**

(21) Appl. No.: **29/456,431**

(22) Filed: **May 31, 2013**

(30) **Foreign Application Priority Data**

Feb. 22, 2013 (KR) 30-2013-0009242

(51) **LOC (10) Cl.** **14-04**

(52) **U.S. Cl.**
USPC **D14/485**
CPC **G06F 3/04817** (2013.01)

(58) **Field of Classification Search**
USPC D14/485-495; 715/700-867, 973-977
CPC G06F 3/0481-3/0486
See application file for complete search history.

(56) **References Cited**

U.S. PATENT DOCUMENTS

2,748,514	A *	6/1956	Sulger	40/495
D208,722	S *	9/1967	Tubbs	D18/6
D212,784	S *	11/1968	Yoshida	D18/7
D216,840	S *	3/1970	Joseph	D18/7
D222,302	S *	10/1971	Yamamoto	D18/7
D229,065	S *	11/1973	Maeda	D18/7
3,961,159	A *	6/1976	Hursey	235/1 D
D243,751	S *	3/1977	Price et al.	D10/122

4,165,554	A *	8/1979	Faget	16/426
4,290,708	A *	9/1981	Siwula	403/24
D275,082	S *	8/1984	Goodin et al.	D10/40
D283,403	S *	4/1986	Chan	D10/40
D287,946	S *	1/1987	Tsuyama	D10/98
4,650,974	A *	3/1987	LeMoine	235/101
4,703,161	A *	10/1987	McLean	235/1 D
4,853,854	A *	8/1989	Behar et al.	700/295
D325,912	S *	5/1992	Sakai et al.	D14/191
D344,535	S *	2/1994	Caruso et al.	D18/6
5,300,836	A *	4/1994	Cha	327/113
D359,048	S *	6/1995	Brandsma	D14/191
D371,557	S *	7/1996	Hon et al.	D14/191
D373,587	S *	9/1996	Hon et al.	D14/191
5,661,982	A *	9/1997	Bae et al.	62/106
D398,606	S *	9/1998	Wicks et al.	D14/191
D399,153	S *	10/1998	Yamauchi et al.	D10/97
5,819,845	A *	10/1998	Ryu et al.	165/254
D409,933	S *	5/1999	Young	D10/97

(Continued)

Primary Examiner — Richard E Chilcot

(74) *Attorney, Agent, or Firm* — Cantor Colburn LLP

(57) **CLAIM**

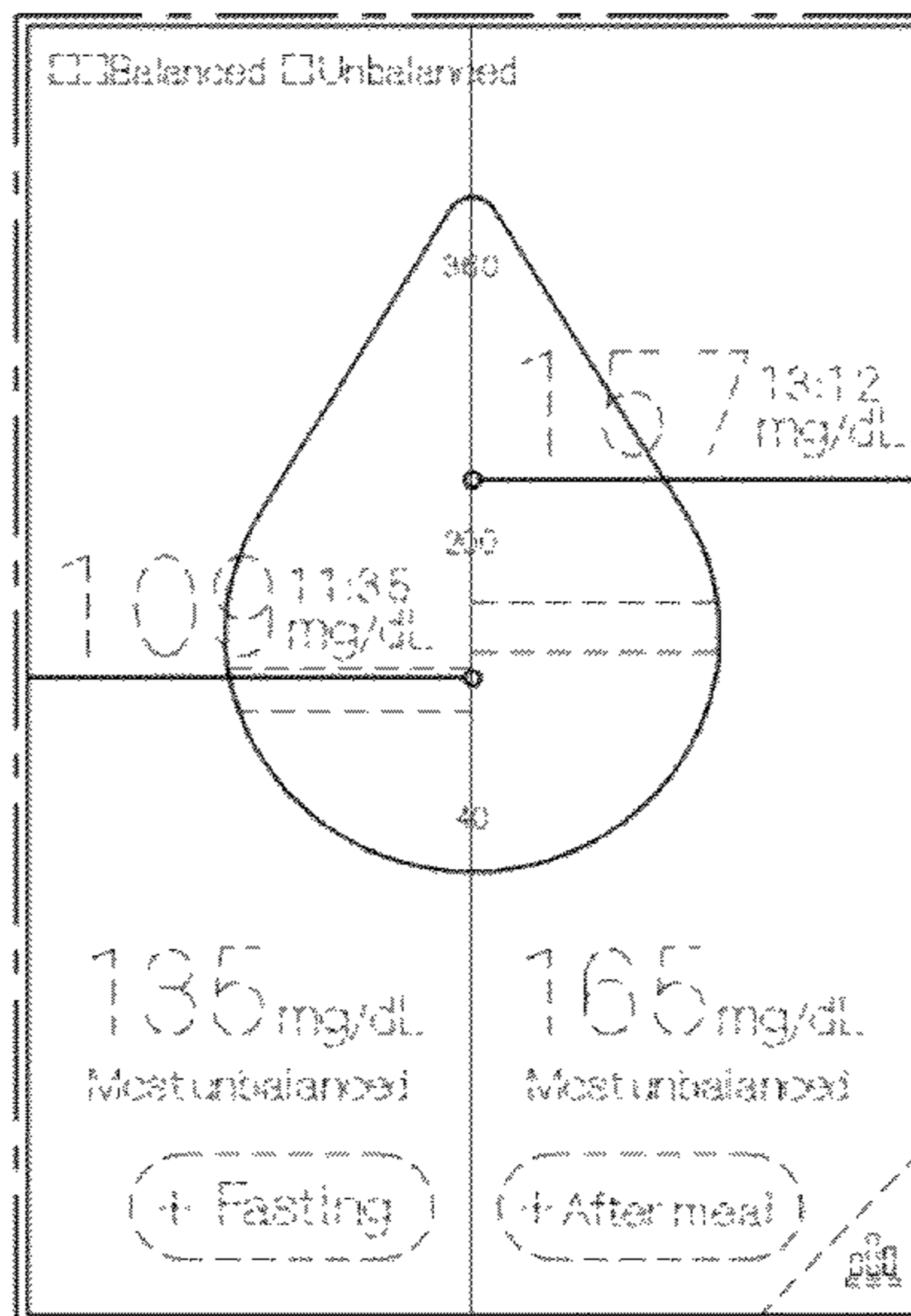
We claim, the ornamental design for a graphic user interface for a display screen or a portion thereof, as shown and described.

DESCRIPTION

The FIGURE is a front elevation view of a display screen or portion thereof with graphical user interface showing our new design in an exemplary embodiment.

The broken or dashed lines showing the display screen are for environmental purposes only and form no part of the claimed design. It should be appreciated that at least a portion of the display screen is shown inside the broken or dashed lines. In addition, any other broken or dashed lines such as but not limited to those showing the alphanumeric characters and symbols are for environmental purposes only and forms no part of the claimed design.

1 Claim, 1 Drawing Sheet



(56)

References Cited

U.S. PATENT DOCUMENTS

5,990,335	A *	11/1999	Kim et al.	556/415	D656,133	S *	3/2012	Wang et al.	D14/240
D440,897	S *	4/2001	Fabian	D10/97	8,156,062	B2 *	4/2012	Cho et al.	706/45
D450,005	S *	11/2001	Hickford et al.	D10/97	8,188,858	B2 *	5/2012	Lee et al.	340/539.12
D453,116	S *	1/2002	Kirby	D10/97	8,204,839	B2 *	6/2012	Lee et al.	706/14
6,341,295	B1 *	1/2002	Stotler	708/131	D672,262	S *	12/2012	Holland et al.	D10/94
6,894,258	B2 *	5/2005	Chun	219/708	8,522,153	B2 *	8/2013	Feldman et al.	715/754
7,017,359	B2 *	3/2006	Kim et al.	62/127	8,562,489	B2 *	10/2013	Burton et al.	482/9
7,135,199	B2 *	11/2006	Kim et al.	424/725	8,600,816	B2 *	12/2013	Fedor et al.	705/15
7,241,966	B2 *	7/2007	Sunwoo et al.	219/121.64	8,605,117	B2 *	12/2013	Kim et al.	345/660
7,326,891	B2 *	2/2008	Sung et al.	219/629	8,625,889	B2 *	1/2014	De Oliveira et al.	382/165
7,334,472	B2 *	2/2008	Seo et al.	73/379.01	8,655,675	B2 *	2/2014	Kil et al.	705/2
7,373,280	B2 *	5/2008	Kim	702/189	8,690,578	B1 *	4/2014	Nusbaum et al.	434/127
7,470,579	B2 *	12/2008	Lim et al.	438/197	8,694,357	B2 *	4/2014	Ting et al.	705/7.29
7,493,232	B1 *	2/2009	Surina	702/160	8,702,430	B2 *	4/2014	Dibenedetto et al.	434/247
7,641,924	B2 *	1/2010	Mizumoto et al.	424/757	8,798,698	B2 *	8/2014	Kim et al.	600/310
7,659,825	B2 *	2/2010	Kim et al.	340/573.1	8,806,362	B2 *	8/2014	Ording et al.	715/773
7,713,173	B2 *	5/2010	Shin et al.	482/8	8,810,583	B2 *	8/2014	Kang et al.	345/473
7,762,952	B2 *	7/2010	Lee et al.	600/300	8,866,040	B2 *	10/2014	Ko et al.	219/121.63
7,887,887	B2 *	2/2011	Cho et al.	427/420	8,898,075	B2 *	11/2014	Khuchua-Edelman et al.	705/15
8,109,874	B2 *	2/2012	Kong et al.	600/300	8,986,206	B2 *	3/2015	Kim et al.	600/301
					9,017,257	B2 *	4/2015	Kodama et al.	600/301
					9,052,926	B2 *	6/2015	Chaudhri	1/1
					9,076,226	B2 *	7/2015	Yang et al.	1/1

* cited by examiner

