



US00D743970S

(12) **United States Design Patent**  
**Cepress et al.**

(10) **Patent No.:** **US D743,970 S**

(45) **Date of Patent:** **\*\* Nov. 24, 2015**

(54) **DEVICE DONGLE**

(71) Applicant: **MOTOROLA MOBILITY LLC**,  
Chicago, IL (US)

(72) Inventors: **Carl A Cepress**, Santa Clara, CA (US);  
**Daniel T Berg**, Gilroy, CA (US); **Thinh Nguyen**, Suwanee, GA (US); **Max K Yoshimoto**, Sunnyvale, CA (US)

(73) Assignee: **Google Technology Holdings, LLC**,  
Mountain View, CA (US)

(\*\*) Term: **14 Years**

(21) Appl. No.: **29/478,409**

(22) Filed: **Jan. 4, 2014**

(51) **LOC (10) Cl.** ..... **14-99**

(52) **U.S. Cl.**  
USPC ..... **D14/480.2**

(58) **Field of Classification Search**  
USPC ..... D14/480.1, 480.2, 484.1, 456; D19/24;  
D11/142; D21/312; 52/DIG. 10;  
40/124.8; 361/679.4; 273/156;  
434/403, 211  
CPC ..... H04B 9/00; H05K 5/00  
See application file for complete search history.

(56) **References Cited**

**U.S. PATENT DOCUMENTS**

2,839,841	A *	6/1958	Berry	434/278
3,461,574	A *	8/1969	Larsen et al.	434/403
3,540,034	A *	11/1970	Kawashima et al.	341/162
3,561,757	A *	2/1971	Schillig	482/35
3,659,360	A *	5/1972	Zeischegg	434/403
3,854,255	A *	12/1974	Baker	52/81.1
3,868,781	A *	3/1975	Thorel	434/150
3,977,134	A *	8/1976	Bogaert	52/1
4,055,348	A *	10/1977	Marzoni, Jr.	273/146

4,258,479	A *	3/1981	Roane	434/211
4,499,607	A *	2/1985	Higgins	398/164
4,575,088	A *	3/1986	Peek	273/153 S
5,909,874	A *	6/1999	Daniel et al.	273/146
6,435,504	B1 *	8/2002	Nightingale	273/272
D531,229	S *	10/2006	Vanbeneden	D21/386
7,443,691	B1 *	10/2008	Davis	361/752
D592,217	S *	5/2009	Chen	D14/480.2
D632,027	S *	2/2011	Johnston et al.	D30/121
D634,370	S *	3/2011	Gebhart	D21/373
D721,005	S *	1/2015	Bahn	D11/142
2006/0231618	A1 *	10/2006	Chen	235/441

\* cited by examiner

*Primary Examiner* — Paula Greene

(74) *Attorney, Agent, or Firm* — Finnegan, Henderson, Farabow, Garrett & Dunner, LLP

(57) **CLAIM**

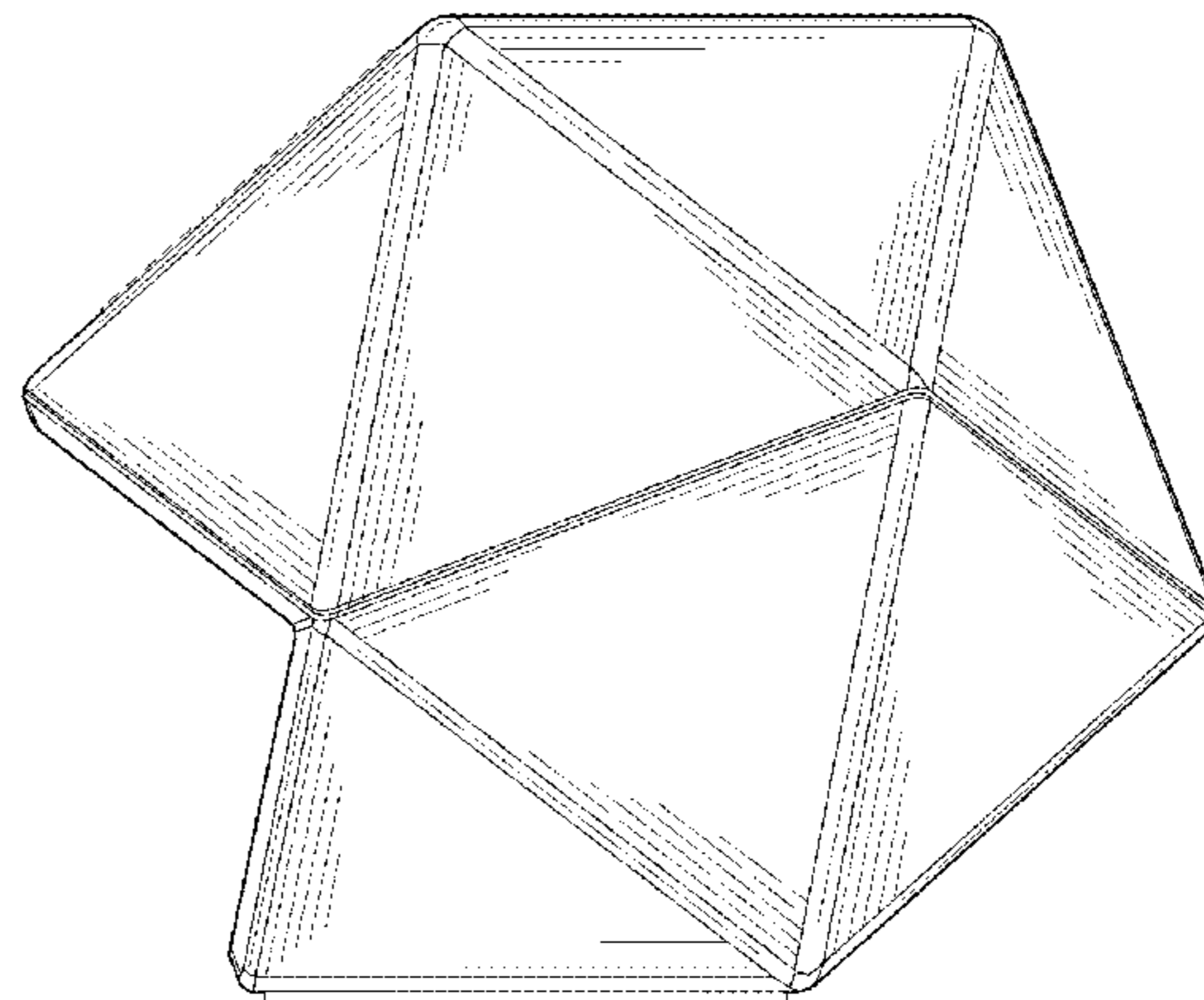
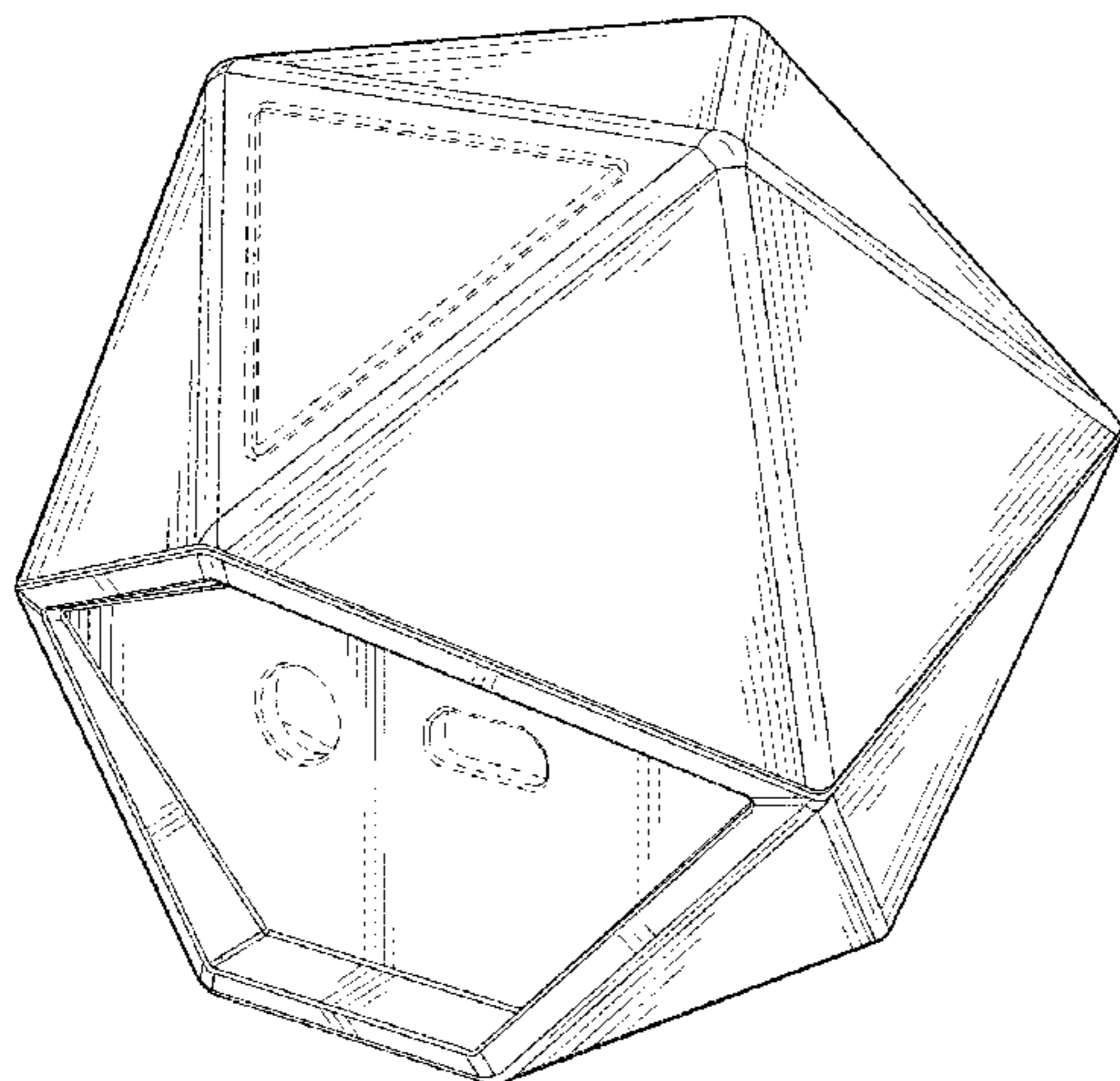
The ornamental design for a device dongle, as shown and described.

**DESCRIPTION**

FIG. 1 is a front perspective view of an ornamental design for a device dongle;  
FIG. 2 is a rear perspective view thereof;  
FIG. 3 is a front view thereof;  
FIG. 4 is a rear view thereof;  
FIG. 5 is a first side view thereof;  
FIG. 6 is a second side view thereof;  
FIG. 7 is top view thereof; and,  
FIG. 8 is a bottom view thereof.

The broken lines shown in FIGS. 1-8, that are immediately adjacent to the shaded areas, and define unshaded regions, represent the bounds of the first embodiment, while all other broken lines are directed to environment and are for illustrative purposes only; the broken lines form no part of the first embodiment.

**1 Claim, 8 Drawing Sheets**



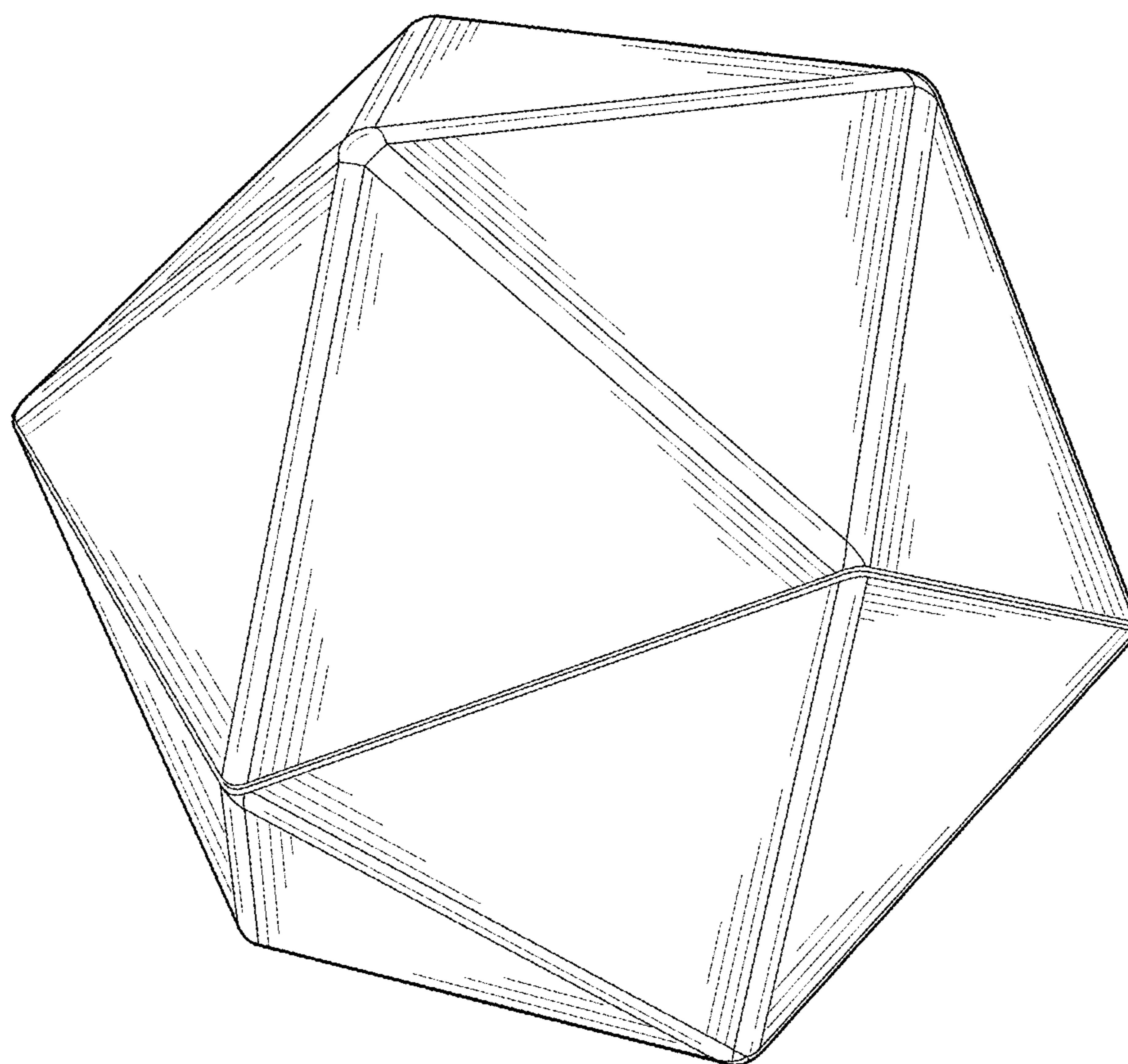


FIG. 1

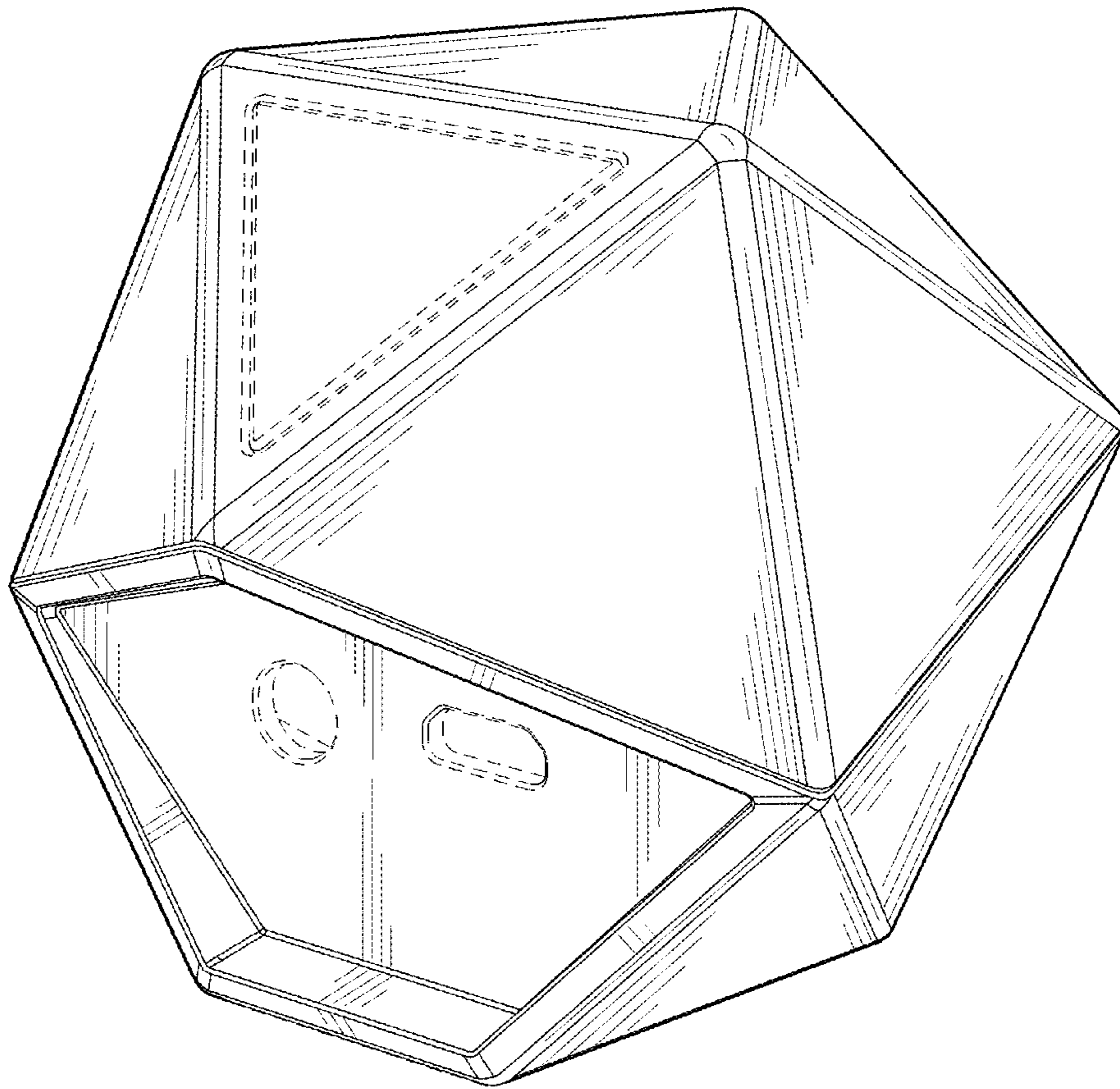


FIG. 2



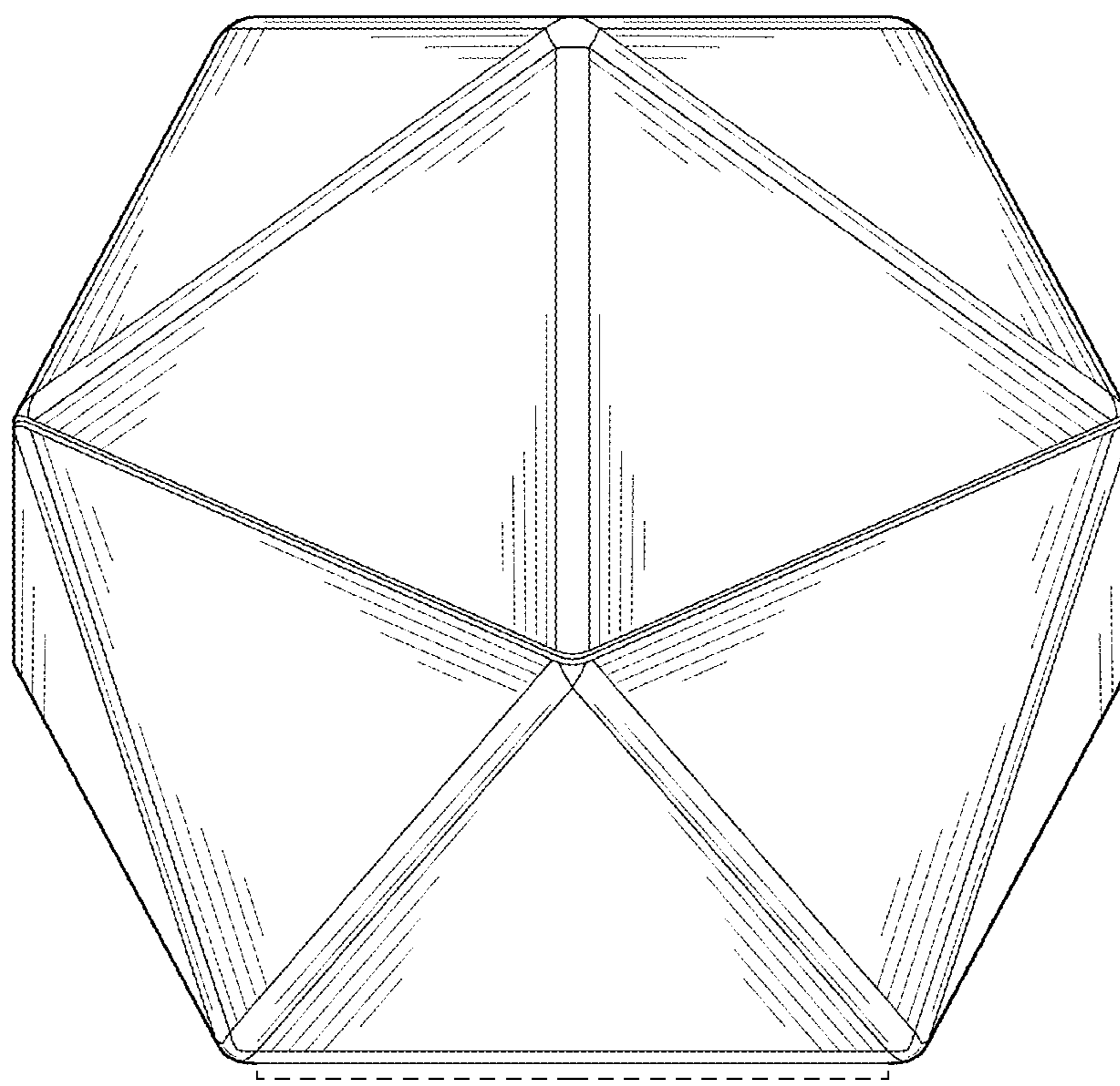


FIG. 3

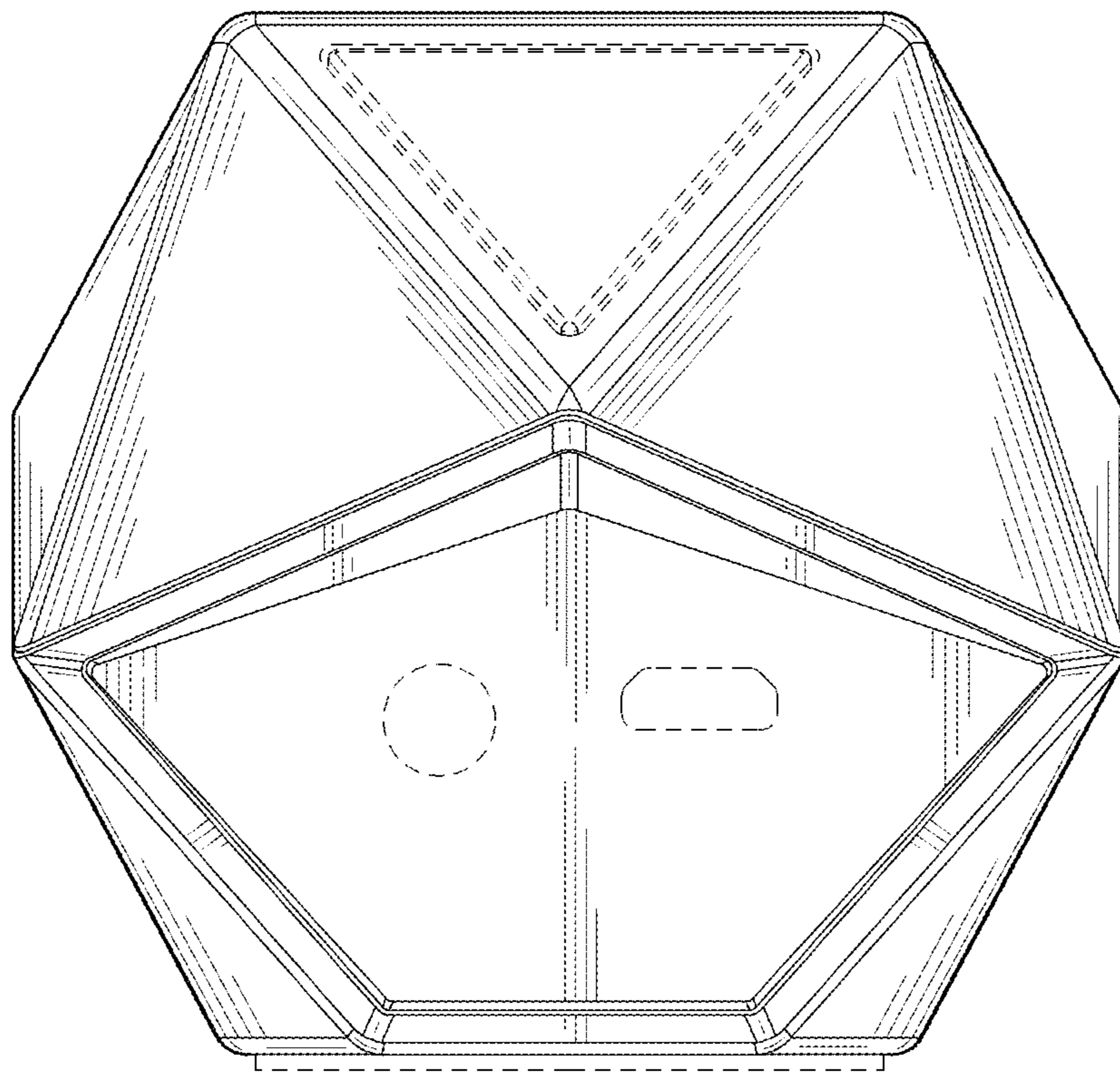


FIG. 4

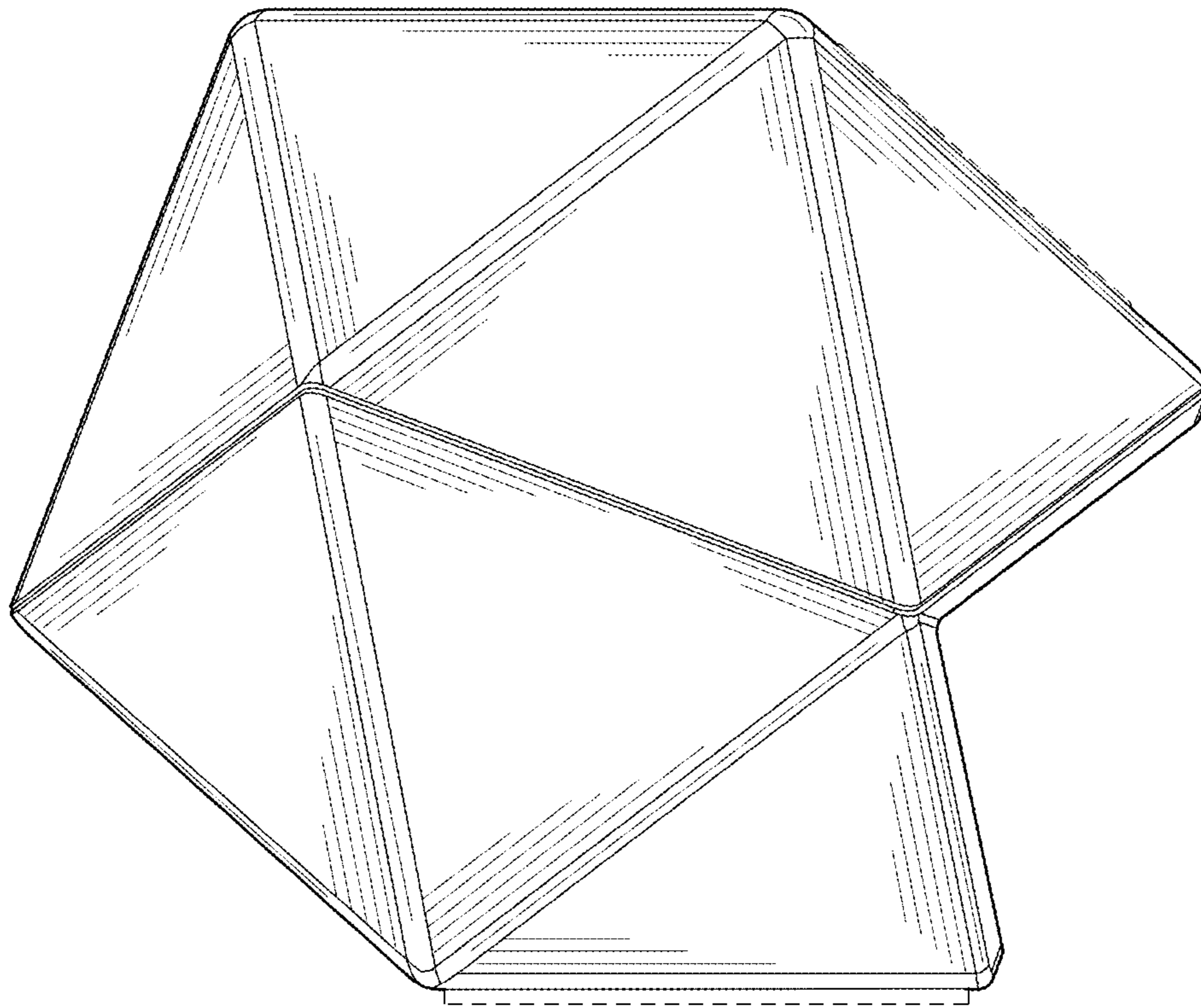


FIG. 5

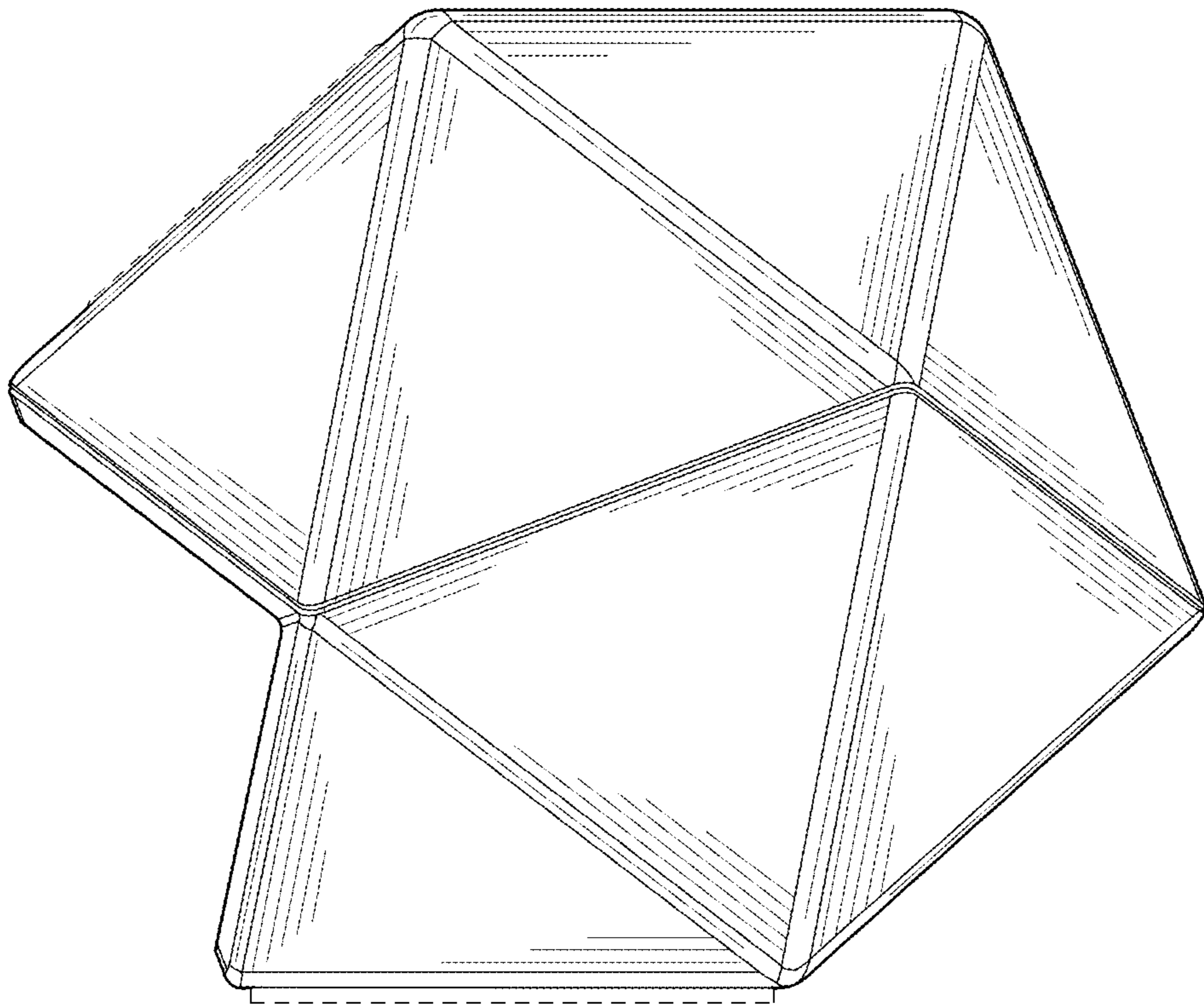


FIG. 6

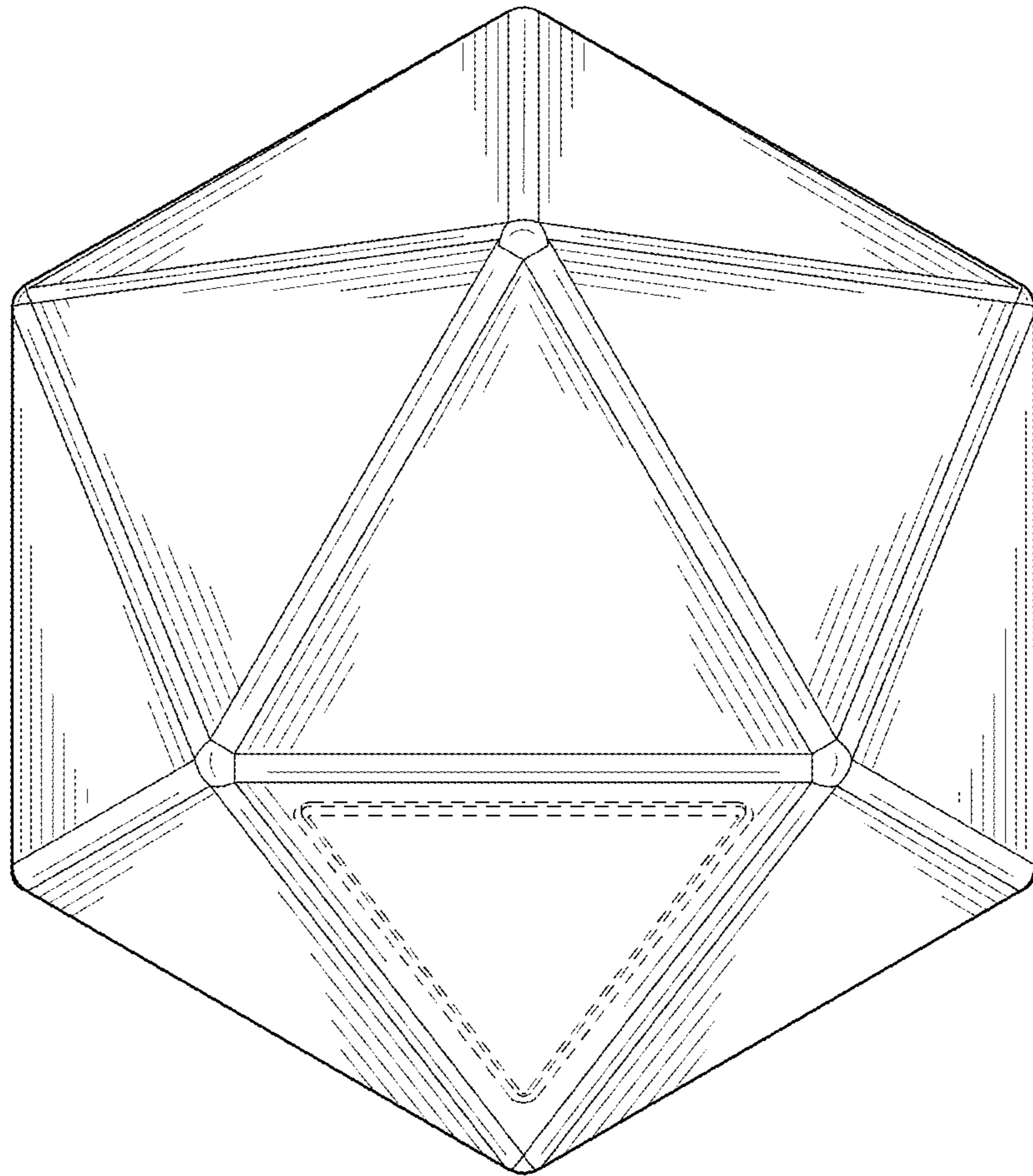


FIG. 7



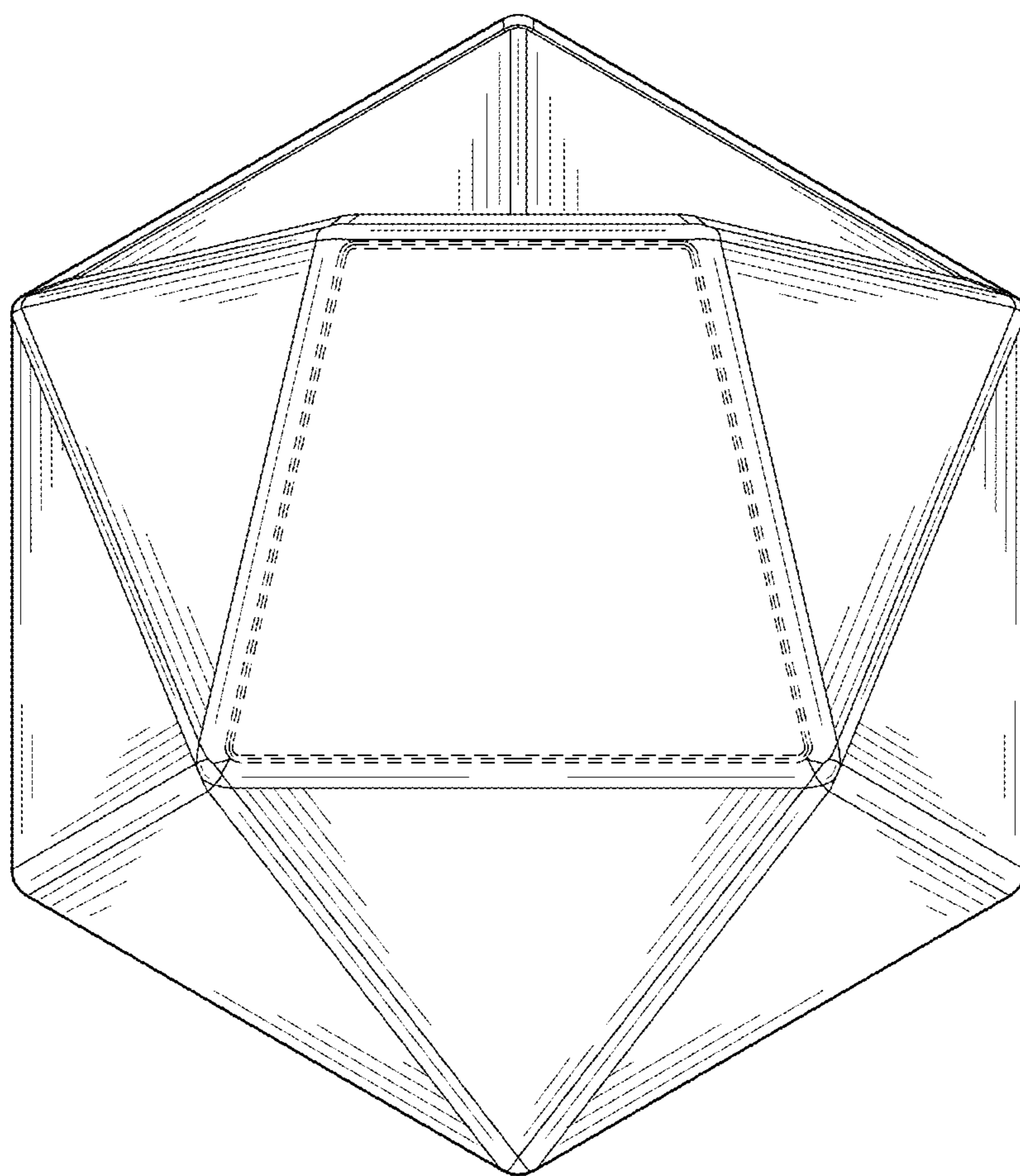


FIG. 8