



US00D743969S

(12) **United States Design Patent**
Kulkarni et al.

(10) **Patent No.:** **US D743,969 S**

(45) **Date of Patent:** **** Nov. 24, 2015**

(54) **SINGLE ARM ARTICULATING MOUNT FOR AN ELECTRONIC DISPLAY**

(71) Applicant: **WirePath Home Systems, LLC**,
Charlotte, NC (US)

(72) Inventors: **Amit Kulkarni**, Redmond, WA (US);
Bryan Thomas Marcum, Georgetown, KY (US); **Kai-Sheng Cheng**, Charlotte, NC (US); **Christopher Glenn Franck**, Fort Mill, SC (US)

(73) Assignee: **Wirepath Home Systems, LLC**,
Charlotte, NC (US)

(**) Term: **14 Years**

(21) Appl. No.: **29/469,952**

(22) Filed: **Oct. 16, 2013**

(51) **LOC (10) Cl.** **08-07**

(52) **U.S. Cl.**
USPC **D14/452**

(58) **Field of Classification Search**

USPC D14/371-382, 125-129, 336, 337, D14/447-452, 492, 335, 239, 457, 439-441, D14/432, 251-253; D8/349, 354, 363, 373, D8/376, 380; D21/333; D12/415; D3/218; 348/180, 184, 325, 739, 825
CPC G06F 3/041; G06F 3/016; G06F 3/0488; G06F 3/011; G06F 3/038; G06F 3/03543; G06F 3/0338; G06F 3/0202; G06F 3/0219; G06F 3/0213; G06F 1/1616; G06F 3/023; G06F 3/04883; G02F 1/13338; G02F 1/1313; G02F 1/1333; G02F 1/135; G02F 1/132; G02F 1/133308; G02F 1/134309; G02F 1/13718; G09G 3/3648; G06K 15/1252; B41J 2/465; G03F 7/70291; G02B 27/0172; G02B 5/30; G02B 2027/0118; G02B 27/0101; F16M 13/02; F16M 13/00; F16M 11/10; F16M 11/04; F16M 2200/08; F16M 11/2021; A47B 21/0314; A47B 88/044; A47B 2021/0335; H02G 3/126; F16B 47/00; F16B 47/006; A47G 1/17; A47K 2201/00

See application file for complete search history.

(56) **References Cited**

U.S. PATENT DOCUMENTS

4,783,036 A 11/1988 Vossoughi
4,928,914 A 5/1990 Snodell

(Continued)

FOREIGN PATENT DOCUMENTS

EP 1 312 852 5/2003
EP 1 471 300 10/2004

(Continued)

OTHER PUBLICATIONS

SunBrite TV®, Installation Instructions All- Weather Articulating Wall Mount, Apr. 2012, pp. 1-11.

(Continued)

Primary Examiner — Deanna L Pratt

Assistant Examiner — Katie Mroczka

(74) *Attorney, Agent, or Firm* — Myers Bigel Sibey & Sajovec, PA

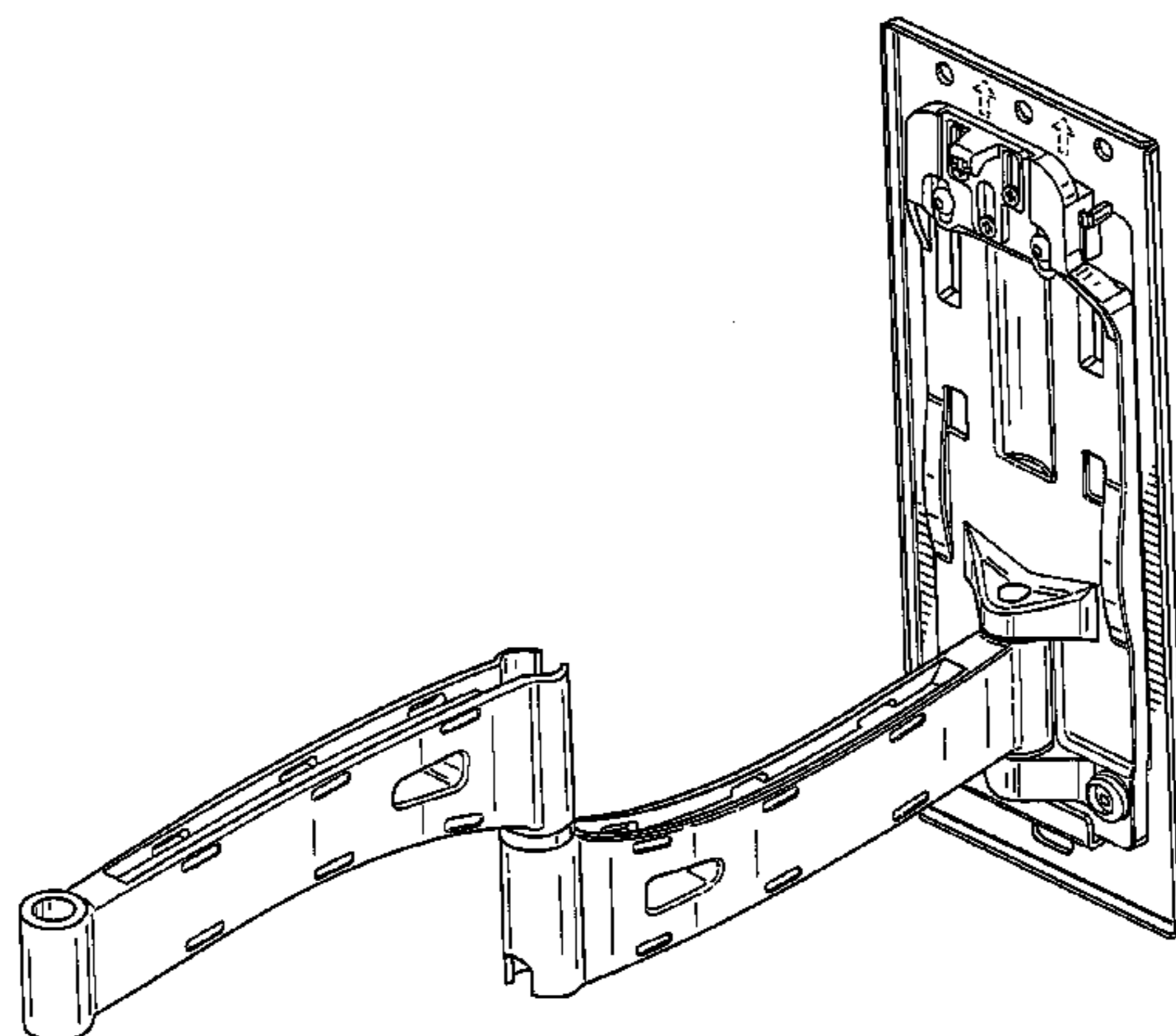
(57) **CLAIM**

The ornamental design for a single arm articulating mount for an electronic display, as shown and described.

DESCRIPTION

FIG. 1 is a front perspective view illustrating a single arm articulating mount for an electronic display, with a connected display plate illustrated in broken lines; FIG. 2 is a front perspective view illustrating the single arm articulating mount for an electronic display, with the display plate omitted; FIG. 3 is a front view thereof; FIG. 4 is a side view thereof; FIG. 5 is an opposing side view thereof; FIG. 6 is a top view thereof; and, FIG. 7 is a bottom view thereof. The broken lines in FIG. 1 illustrating the connected display plate represent environment that forms no part of the claimed design, while the remaining broken lines in FIGS. 1, 2, 3, 6 and 7 illustrate portions of the single arm articulating mount for an electronic display that form no part of the claimed design.

1 Claim, 6 Drawing Sheets



(56)

References Cited

U.S. PATENT DOCUMENTS

5,934,636 A	8/1999	Cyrell	
6,102,350 A	8/2000	Cyrell	
6,286,794 B1	9/2001	Harbin	
6,402,109 B1	6/2002	Dittmer	
D488,708 S	4/2004	Lam et al.	
D489,599 S	5/2004	Lam et al.	
6,758,454 B2	7/2004	Smed	
D496,367 S *	9/2004	Pfister	D14/451
D497,537 S	10/2004	O'Keene et al.	
6,905,101 B1	6/2005	Dittmer	
D507,477 S *	7/2005	Pfister	D8/363
7,028,961 B1 *	4/2006	Dittmer et al.	248/278.1
D520,017 S *	5/2006	van Kuijk et al.	D14/452
D530,595 S	10/2006	Lam et al.	
D539,128 S	3/2007	Ly Hau et al.	
D540,330 S	4/2007	Eyman et al.	
D540,332 S	4/2007	Dittmer et al.	
D543,210 S	5/2007	Stenhouse et al.	
D543,547 S	5/2007	Muday et al.	
D543,548 S	5/2007	Muday et al.	
7,246,780 B2	7/2007	Oddsens, Jr.	
D553,125 S	10/2007	Ly Hau et al.	
D553,135 S	10/2007	Muday et al.	
D556,205 S *	11/2007	Wohlford et al.	D14/452
D558,560 S	1/2008	Ciungan	
D558,561 S	1/2008	Ciungan	
D558,562 S	1/2008	Ciungan et al.	
D558,563 S	1/2008	Ciungan	
D558,564 S	1/2008	Ciungan	
D559,087 S	1/2008	Ciungan	
D559,088 S	1/2008	Ciungan	
D559,662 S *	1/2008	Sculler et al.	D8/380
D560,221 S	1/2008	Hoglan et al.	
D560,222 S	1/2008	Anderson et al.	
D560,673 S	1/2008	Muday et al.	
D562,113 S	2/2008	Ciungan et al.	
7,331,550 B2	2/2008	Gillespie et al.	
D570,355 S	6/2008	Muday et al.	
D570,852 S	6/2008	Muday et al.	
D580,743 S	11/2008	Short	
D581,915 S	12/2008	Sculler et al.	
D584,734 S *	1/2009	Chu	D14/452
7,472,458 B2	1/2009	Oddsens, Jr.	
D587,258 S	2/2009	Vaglica et al.	
7,487,943 B1	2/2009	Gillespie	
D587,716 S	3/2009	Hau et al.	
7,513,469 B1	4/2009	Ciungan	
7,513,474 B2	4/2009	Anderson et al.	
D593,080 S	5/2009	Russell et al.	
D593,104 S	5/2009	Gillespie	
D595,277 S	6/2009	Bremmon et al.	
D595,299 S	6/2009	Bures	
D595,702 S	7/2009	Bremmon et al.	
D595,723 S	7/2009	Bures et al.	
D596,189 S	7/2009	Bures et al.	
D602,923 S	10/2009	Skull	
D603,852 S	11/2009	Le	
D605,185 S	12/2009	Russell et al.	
7,641,163 B2	1/2010	O'Keene	
D610,437 S	2/2010	Bremmon et al.	
D611,479 S	3/2010	Hau et al.	
D611,480 S	3/2010	Hau et al.	
D612,182 S	3/2010	Bremmon et al.	
D613,277 S	4/2010	Skull	
7,738,245 B1	6/2010	Stifal	
7,753,332 B2	7/2010	O'Keene	
D620,943 S	8/2010	Grey et al.	
D621,390 S	8/2010	Skull et al.	
D623,177 S	9/2010	Molter et al.	
D623,634 S	9/2010	Molter et al.	
D623,635 S	9/2010	Molter et al.	
D623,654 S	9/2010	Hau et al.	
D624,061 S	9/2010	Smith et al.	
7,793,903 B2	9/2010	Dittmer et al.	
D625,300 S	10/2010	Stifal et al.	
D627,579 S	11/2010	Gillespie	
D627,767 S	11/2010	Molter et al.	
D627,787 S	11/2010	Grey et al.	
7,823,849 B2	11/2010	Dittmer et al.	
7,832,700 B2	11/2010	Ciungan	
D628,459 S	12/2010	Minkley et al.	
D630,197 S	1/2011	Molter et al.	
D630,623 S *	1/2011	Molter et al.	D14/239
D631,038 S	1/2011	Molter et al.	
7,866,618 B2	1/2011	Grabania et al.	
7,866,621 B1	1/2011	Walters	
7,866,622 B2	1/2011	Dittmer	
D631,874 S	2/2011	Molter et al.	
D631,876 S	2/2011	Molter et al.	
D632,287 S	2/2011	Molter et al.	
7,891,620 B2	2/2011	Grabania et al.	
D633,484 S	3/2011	Molter et al.	
D634,311 S	3/2011	Stifal et al.	
D634,328 S	3/2011	Grey et al.	
D634,607 S	3/2011	Molter et al.	
D634,739 S	3/2011	Molter et al.	
D635,130 S	3/2011	Skull et al.	
D635,966 S	4/2011	Molter et al.	
D636,765 S *	4/2011	Molter et al.	D14/239
D638,023 S	5/2011	Skull et al.	
D638,687 S	5/2011	Minkley et al.	
7,950,613 B2	5/2011	Anderson et al.	
D640,672 S	6/2011	Molter et al.	
D640,673 S	6/2011	Molter et al.	
D640,675 S	6/2011	Molter et al.	
7,954,780 B2	6/2011	Dittmer	
D641,369 S	7/2011	Skull et al.	
D641,721 S	7/2011	Moscovitch et al.	
7,975,976 B2	7/2011	Wohlford	
7,984,888 B2	7/2011	Park	
7,984,889 B2	7/2011	Whitley et al.	
D642,583 S	8/2011	Dittmer et al.	
D643,421 S	8/2011	Russell et al.	
D643,835 S	8/2011	Molter et al.	
D646,685 S	10/2011	Skull et al.	
D650,373 S	12/2011	Stemple	
D650,774 S	12/2011	Molter	
D651,199 S *	12/2011	Huang	D14/239
D652,030 S *	1/2012	Dolack	D14/239
D652,423 S	1/2012	Sapper	
8,104,728 B2 *	1/2012	Chen	248/286.1
D654,065 S	2/2012	Stemple	
D656,138 S	3/2012	Wylie	
D656,493 S	3/2012	Dolack	
D659,689 S	5/2012	Molter	
D659,698 S	5/2012	Molter	
D659,699 S	5/2012	Conner	
D660,843 S *	5/2012	Kaluza	D14/452
D662,103 S	6/2012	Brandt	
D662,104 S *	6/2012	Brandt	D14/452
D663,308 S	7/2012	Wylie	
D663,736 S	7/2012	Stanek et al.	
D666,180 S	8/2012	Molter et al.	
D666,207 S	8/2012	Brandt	
8,245,990 B2	8/2012	Huang	
8,254,092 B2 *	8/2012	Russell et al.	361/679.01
D667,391 S	9/2012	Dolack	
D674,783 S	1/2013	Dolack	
8,827,226 B2 *	9/2014	Townsend et al.	248/323
2009/0084918 A1	4/2009	Pfister et al.	
2010/0001153 A1	1/2010	Stenhouse et al.	
2010/0091438 A1	4/2010	Dittmer	
2010/0208418 A1	8/2010	Russell et al.	
2010/0219315 A1	9/2010	Muday et al.	
2011/0002110 A1	1/2011	Skull	
2011/0019344 A1	1/2011	Russell et al.	
2011/0051435 A1	3/2011	Pfund et al.	

(56)

References Cited

OTHER PUBLICATIONS

U.S. PATENT DOCUMENTS

2011/0084187 A1 4/2011 Muday et al.
2013/0161465 A1* 6/2013 Huang 248/278.1
2013/0187019 A1 7/2013 Dittmer et al.

FOREIGN PATENT DOCUMENTS

GB 2 358 345 7/2001
WO WO 2009/089169 7/1999
WO WO 2009/012379 1/2009

DigiCom Digital Necessities®, Plasma/LCD Mount, available as of the filing date, 5 pages.

Digicom, Digicom PMA-771 Articulating Arms Dual Stud Wall Mount for 40 to 60 Screens, available as of the filing date, 3 pages.

Pyle® Home Multifunctional wall mount Installation Guide, www.pyleaudio.com, available as of the filing date, pp. 1-12.

Chief® iC Series, iCLPFA3 Installation Instructions, Apr. 2010, pp. 1-18.

* cited by examiner

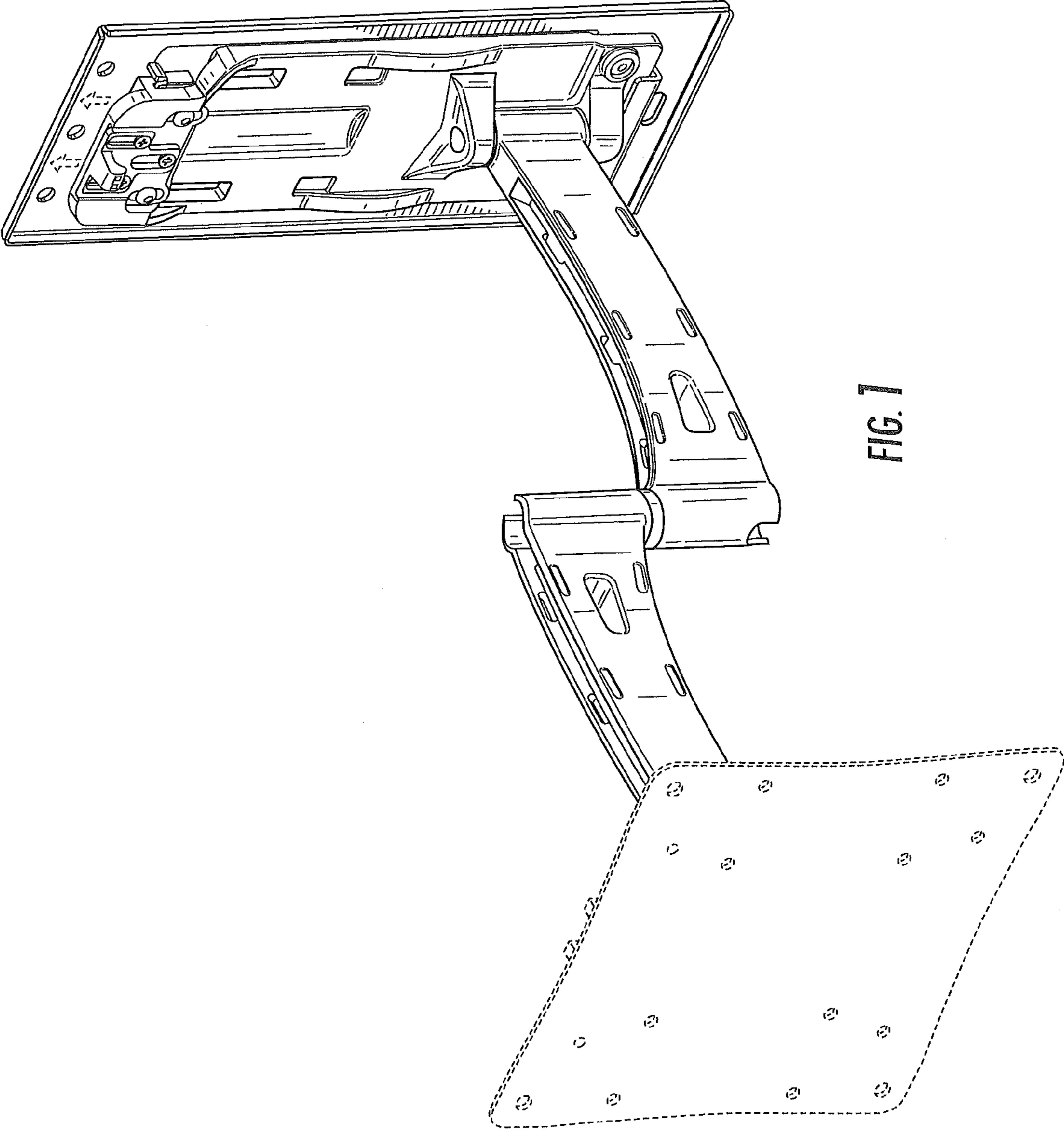


FIG. 7

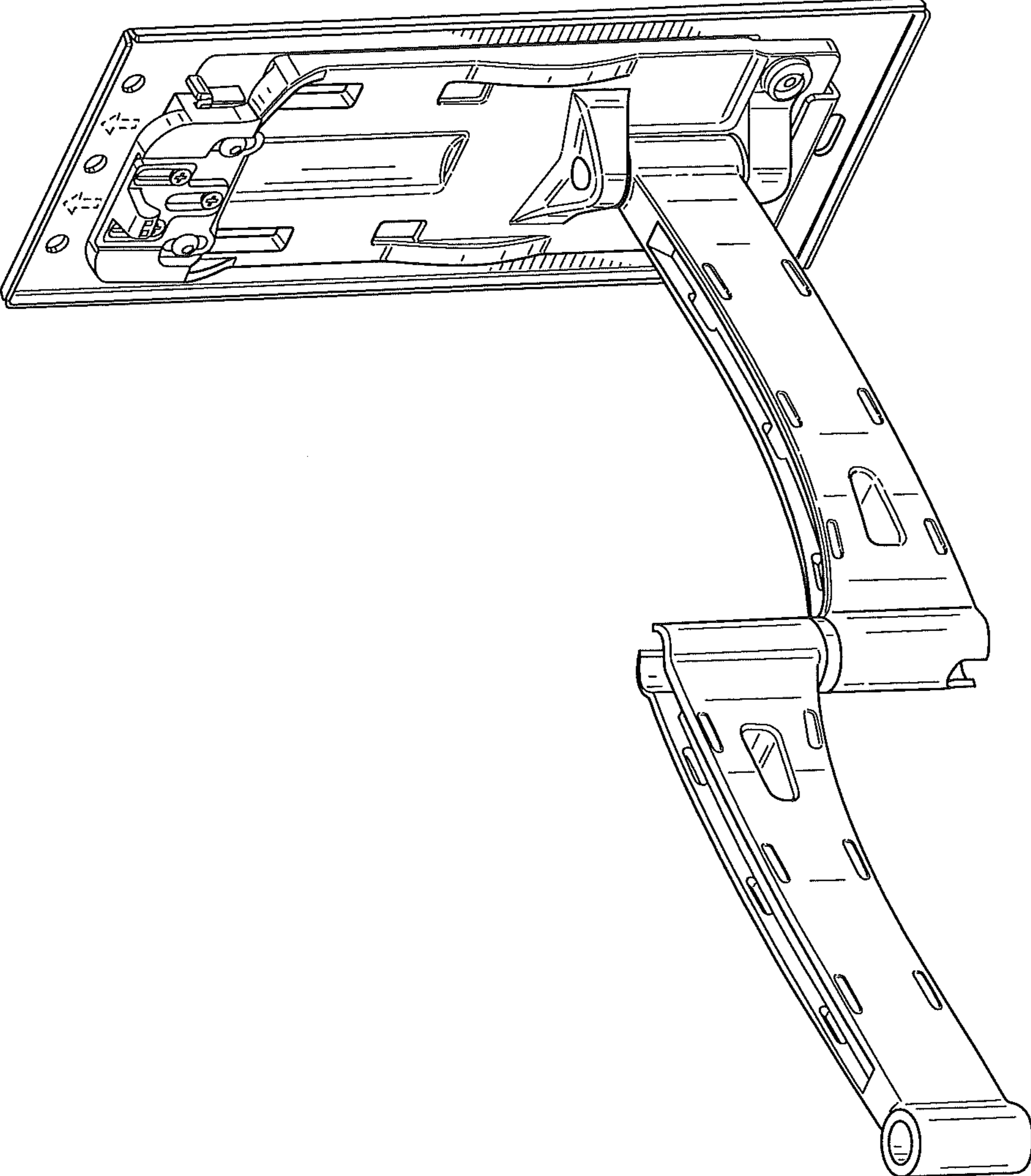


FIG. 2

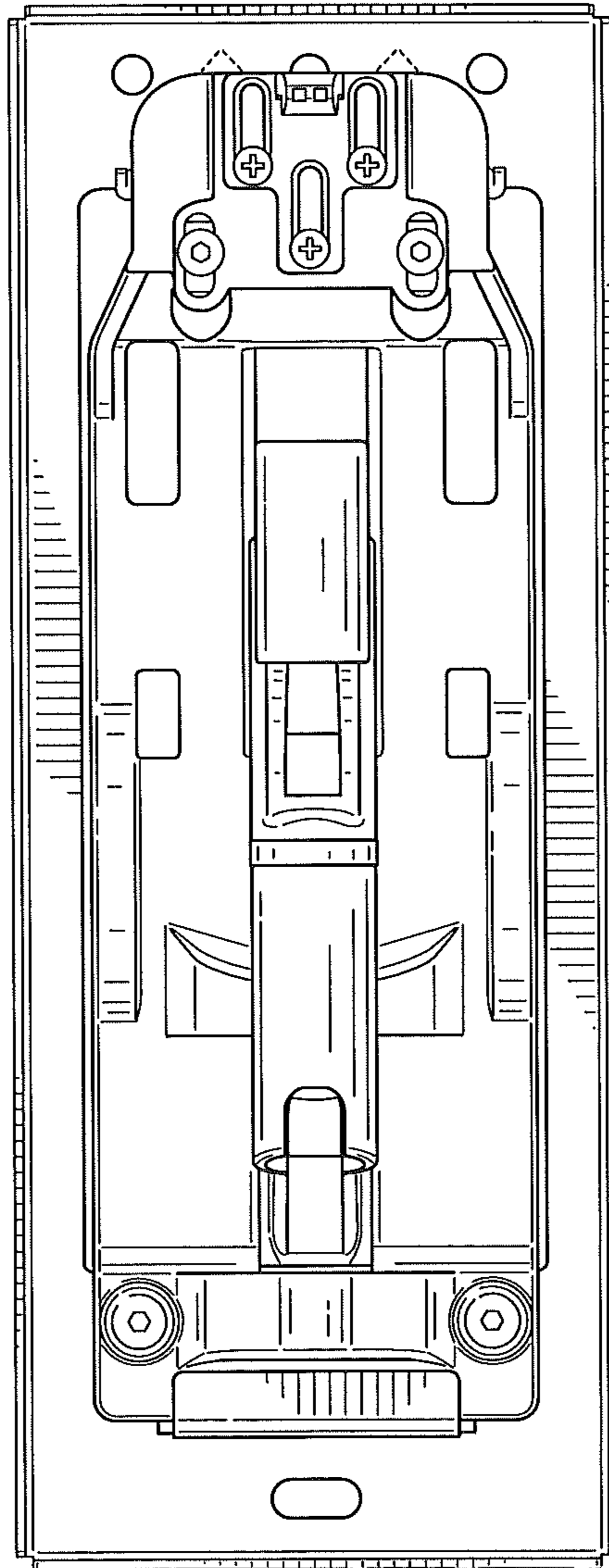


FIG. 3

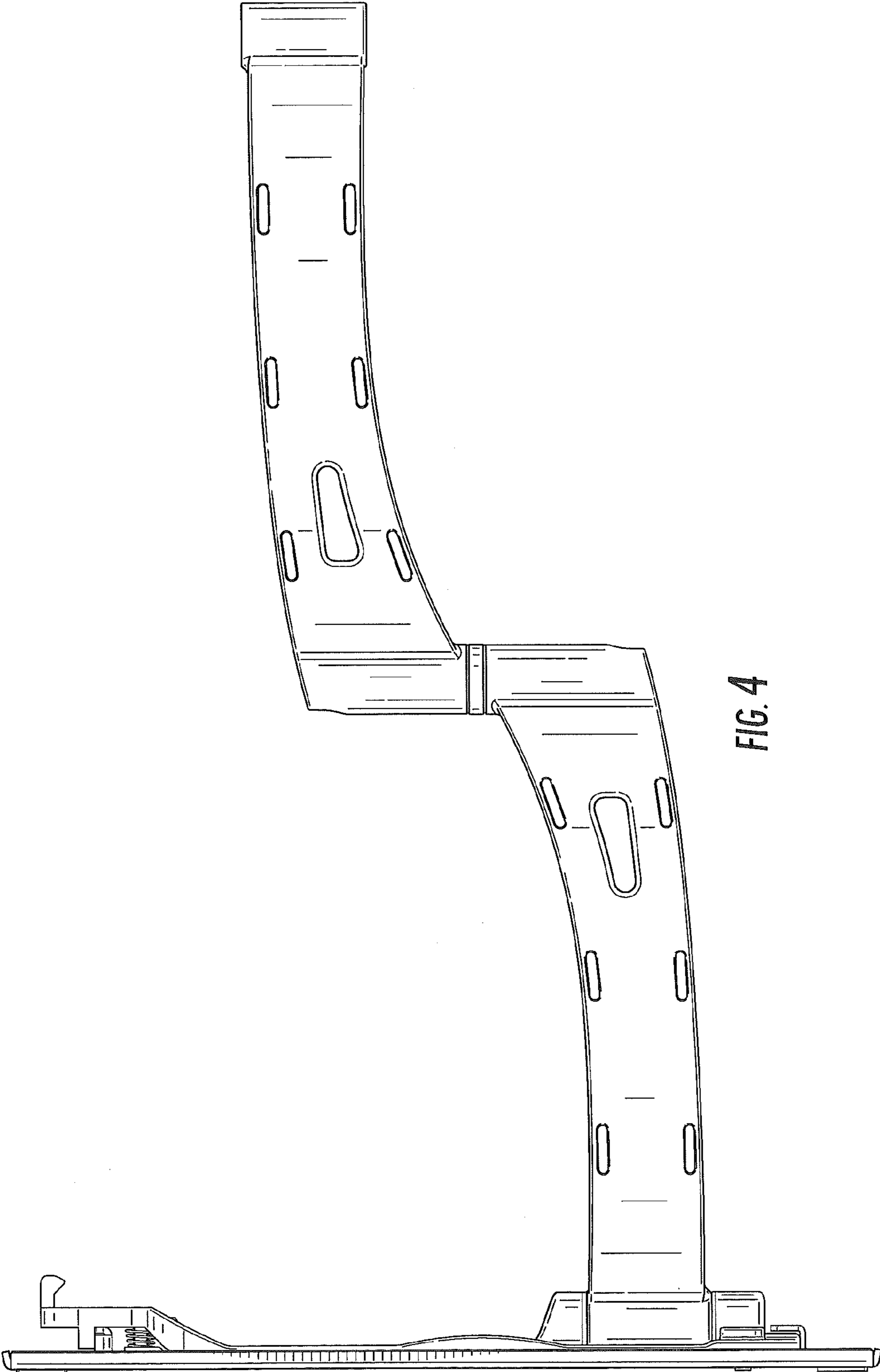


FIG. 4

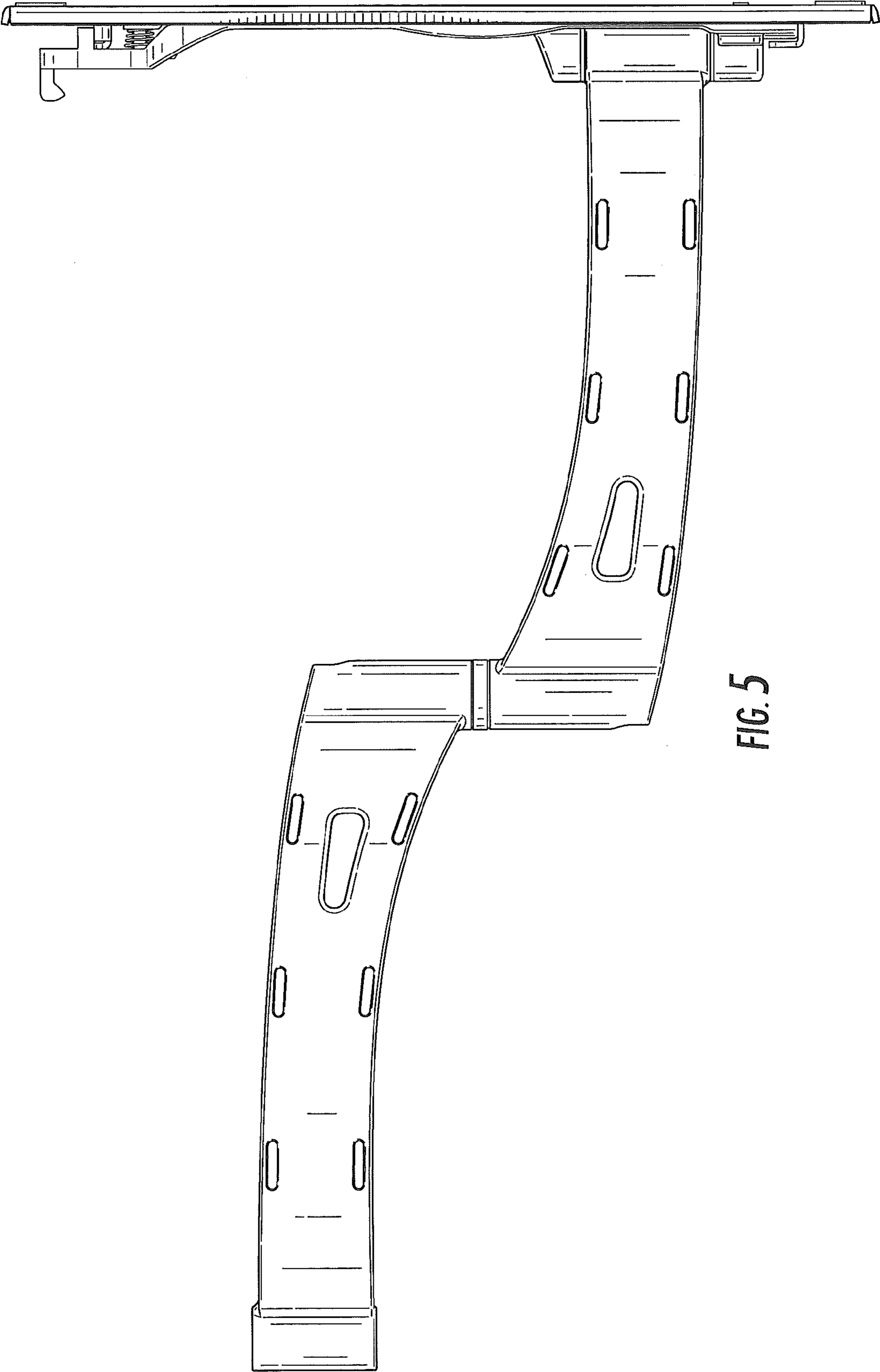


FIG. 5

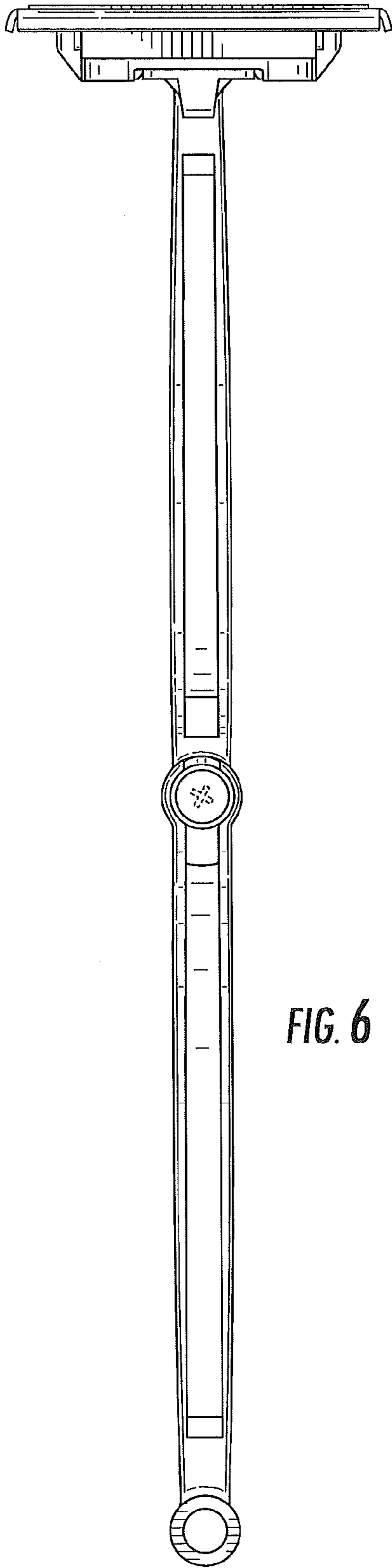


FIG. 6

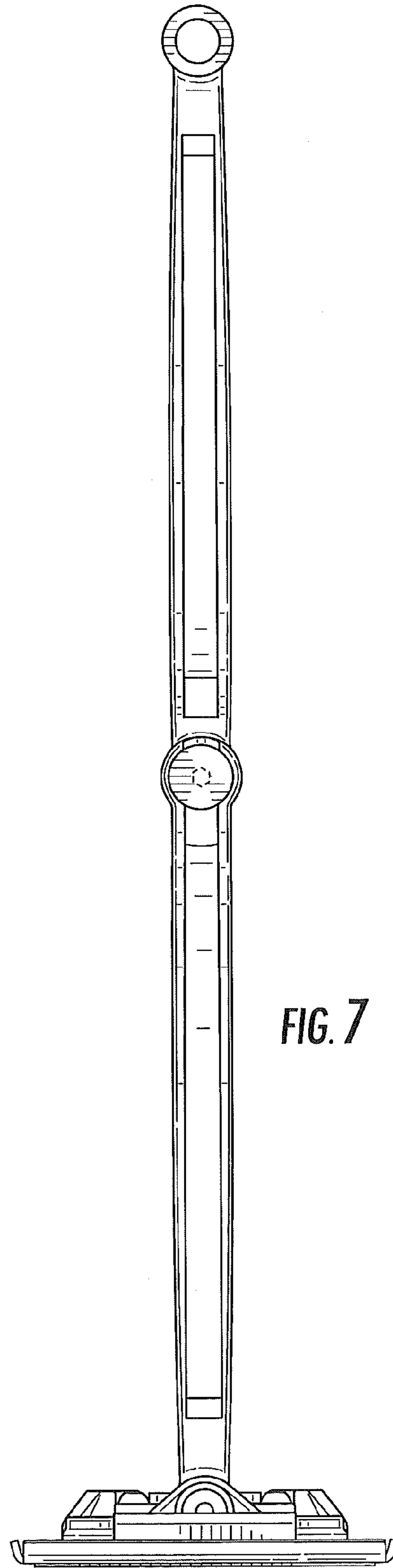


FIG. 7

UNITED STATES PATENT AND TRADEMARK OFFICE
CERTIFICATE OF CORRECTION

PATENT NO. : D743,969 S
APPLICATION NO. : 29/469952
DATED : November 24, 2015
INVENTOR(S) : Kulkarni et al.

Page 1 of 1

It is certified that error appears in the above-identified patent and that said Letters Patent is hereby corrected as shown below:

On Title Page:

Item (71), Applicant: Please correct

“Wirepath Home Systems, LLC, Charlotte, NC (US)”

to read -- **Wirepath Home Systems, LLC, d/b/a SnapAV, Charlotte, NC (US) --**

Item (73), Assignee: Please correct

“Wirepath Home Systems, LLC, Charlotte, NC (US)”

to read -- **Wirepath Home Systems, LLC, d/b/a SnapAV, Charlotte, NC (US) --**

Signed and Sealed this
Fourteenth Day of June, 2016



Michelle K. Lee
Director of the United States Patent and Trademark Office