



US00D743968S

(12) **United States Design Patent**
McClelland et al.

(10) **Patent No.:** **US D743,968 S**

(45) **Date of Patent:** **** Nov. 24, 2015**

(54) **DOOR FOR A FLEX RACK SL-SERVER RACK**

(56)

References Cited

(71) Applicant: **Hewlett-Packard Development Company, L.P.**, Houston, TX (US)

(72) Inventors: **Belgie B. McClelland**, Tomball, TX (US); **Keith J. Kuehn**, Magnolia, TX (US); **Robert J. Kelley**, The Woodlands, TX (US); **John P. Franz**, Houston, TX (US); **Chris F. Felcman**, Magnolia, TX (US)

(73) Assignee: **Hewlett-Packard Development Company, L.P.**, Houston, TX (US)

(**) Term: **14 Years**

(21) Appl. No.: **29/465,274**

(22) Filed: **Aug. 26, 2013**

(51) **LOC (10) Cl.** **14-02**

(52) **U.S. Cl.**
USPC **D14/441**

(58) **Field of Classification Search**
USPC D14/240, 300, 308-313, 348-356,
D14/364-368; D13/162, 184, 199;
312/223.1-223.3, 351.11;
360/99.01-99.12; 369/34.01-36.01;
361/679.31-679.33, 679.37, 679.39,
361/679.46, 679.53, 679.4, 679.41, 727,
361/736; 307/64

See application file for complete search history.

U.S. PATENT DOCUMENTS

D197,465 S *	2/1964	Massarella	D14/310
D312,074 S *	11/1990	Koepke et al.	D14/312
D320,979 S *	10/1991	Vice et al.	D14/310
D324,376 S *	3/1992	Leitermann et al.	D14/311
D337,097 S *	7/1993	Clark et al.	D14/311
D371,347 S *	7/1996	Utsuki et al.	D14/310
D436,950 S *	1/2001	Bonstrom et al.	D14/310
D469,083 S *	1/2003	Tsuzuki et al.	D14/310

* cited by examiner

Primary Examiner — Freda S Nunn

(74) *Attorney, Agent, or Firm* — International IP Law Group, PLLC

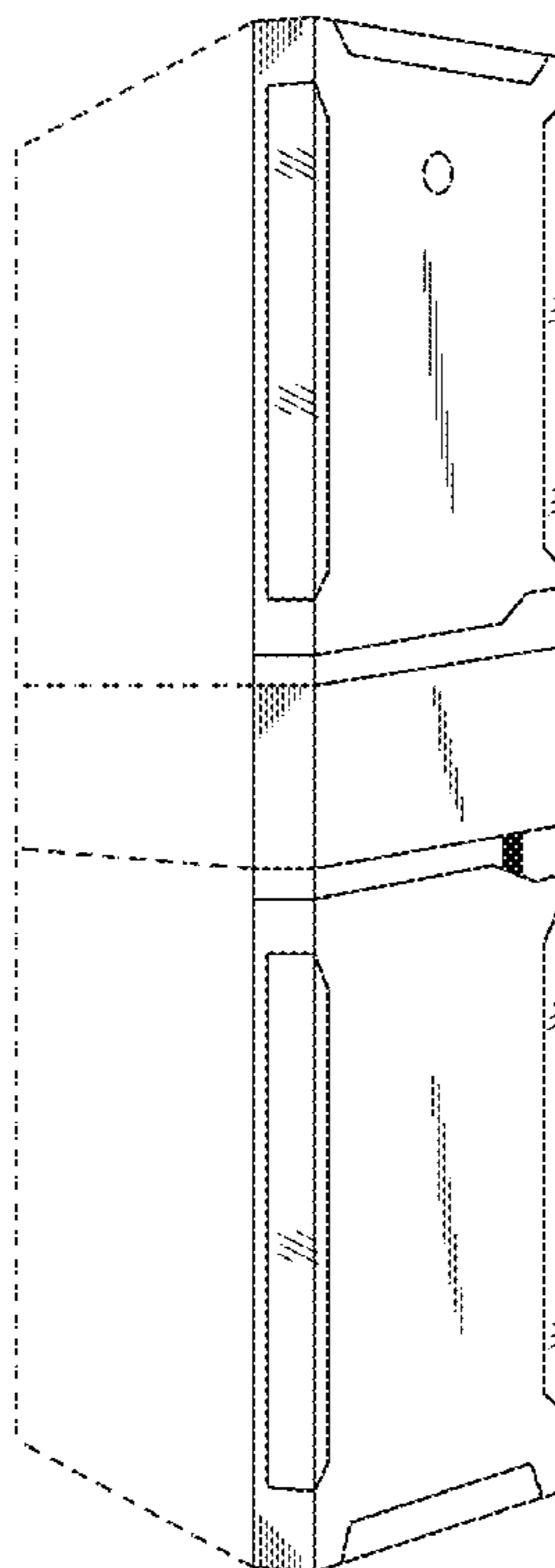
(57) **CLAIM**

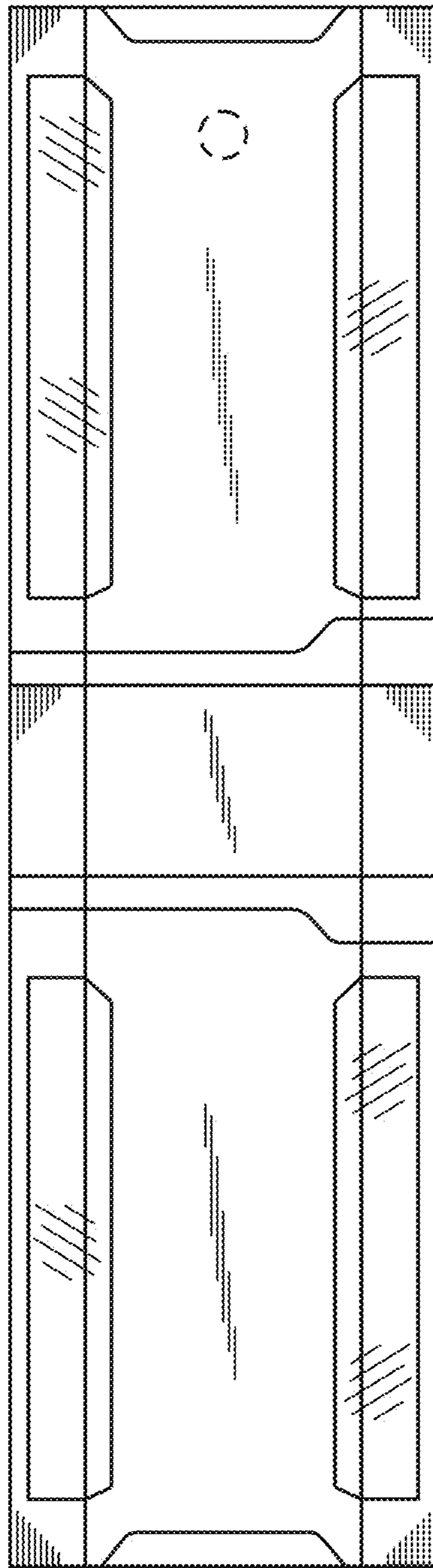
The ornamental design for a door for a flex rack SL server rack, as shown and described.

DESCRIPTION

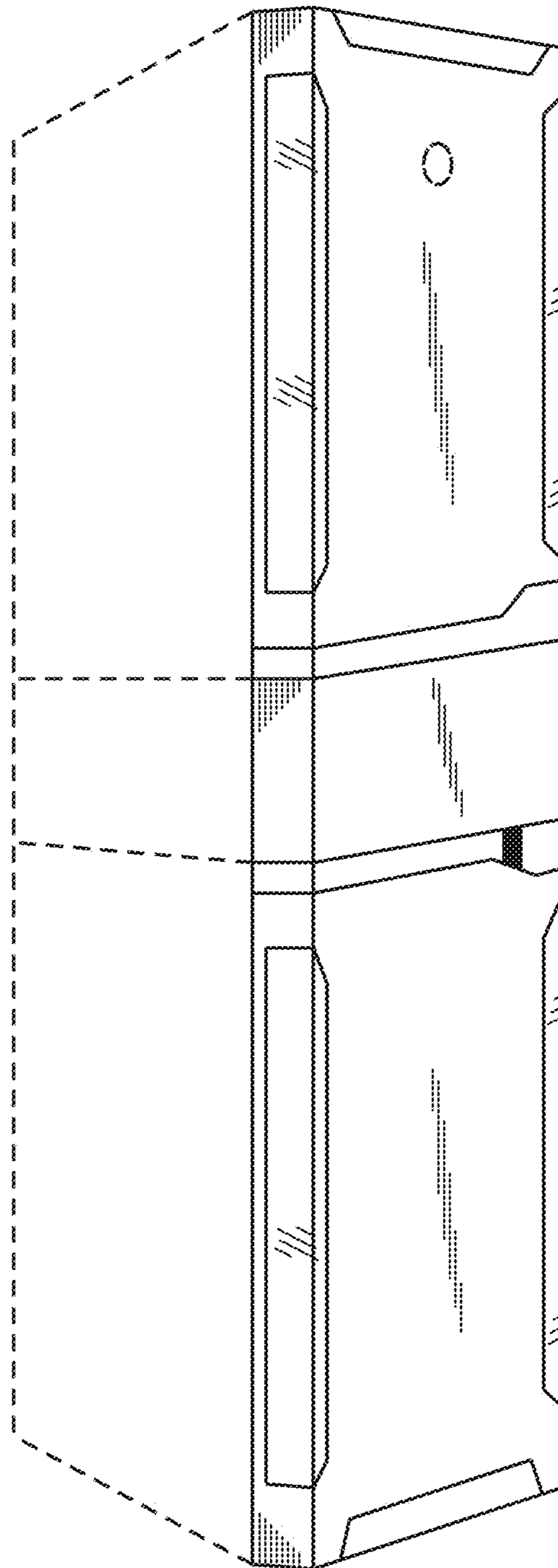
FIG. 1 is a front view of a door for a flex rack SL server rack; FIG. 2 is a front, side perspective view thereof; FIG. 3 is an opposite front, side perspective view thereof; and, FIG. 4 is front view thereof in an open position. Broken lines shown in the drawings illustrate portions of the server and form no part of the claimed design.

1 Claim, 4 Drawing Sheets

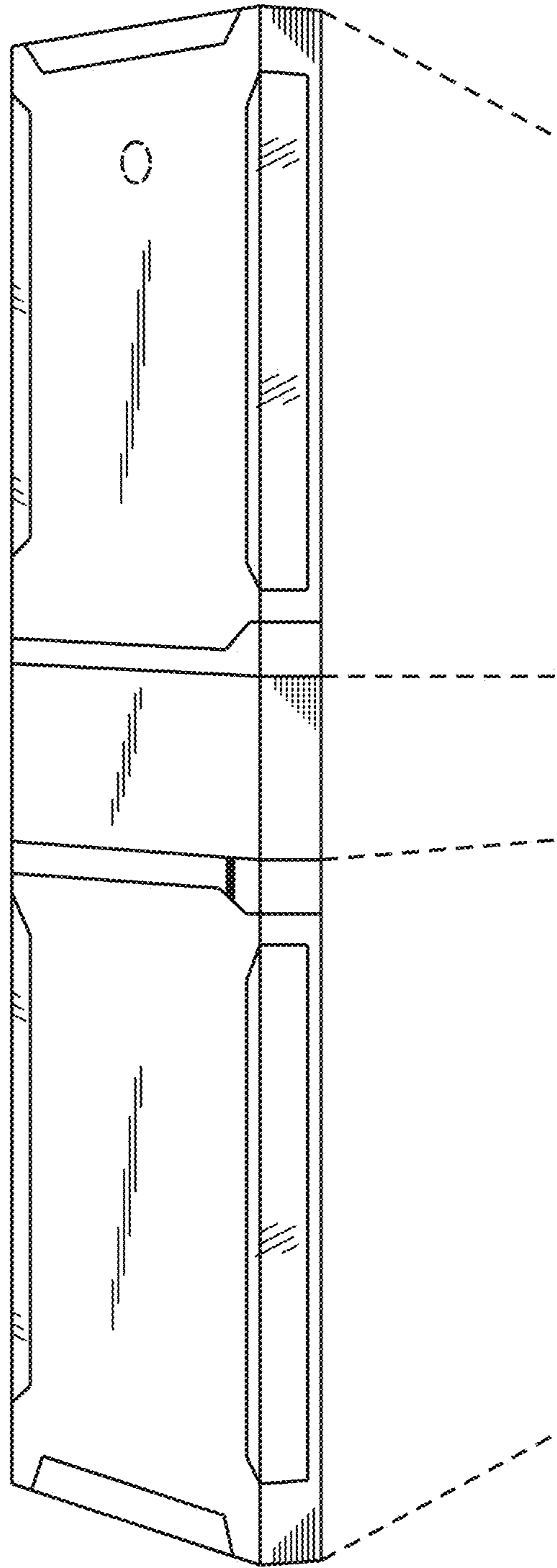




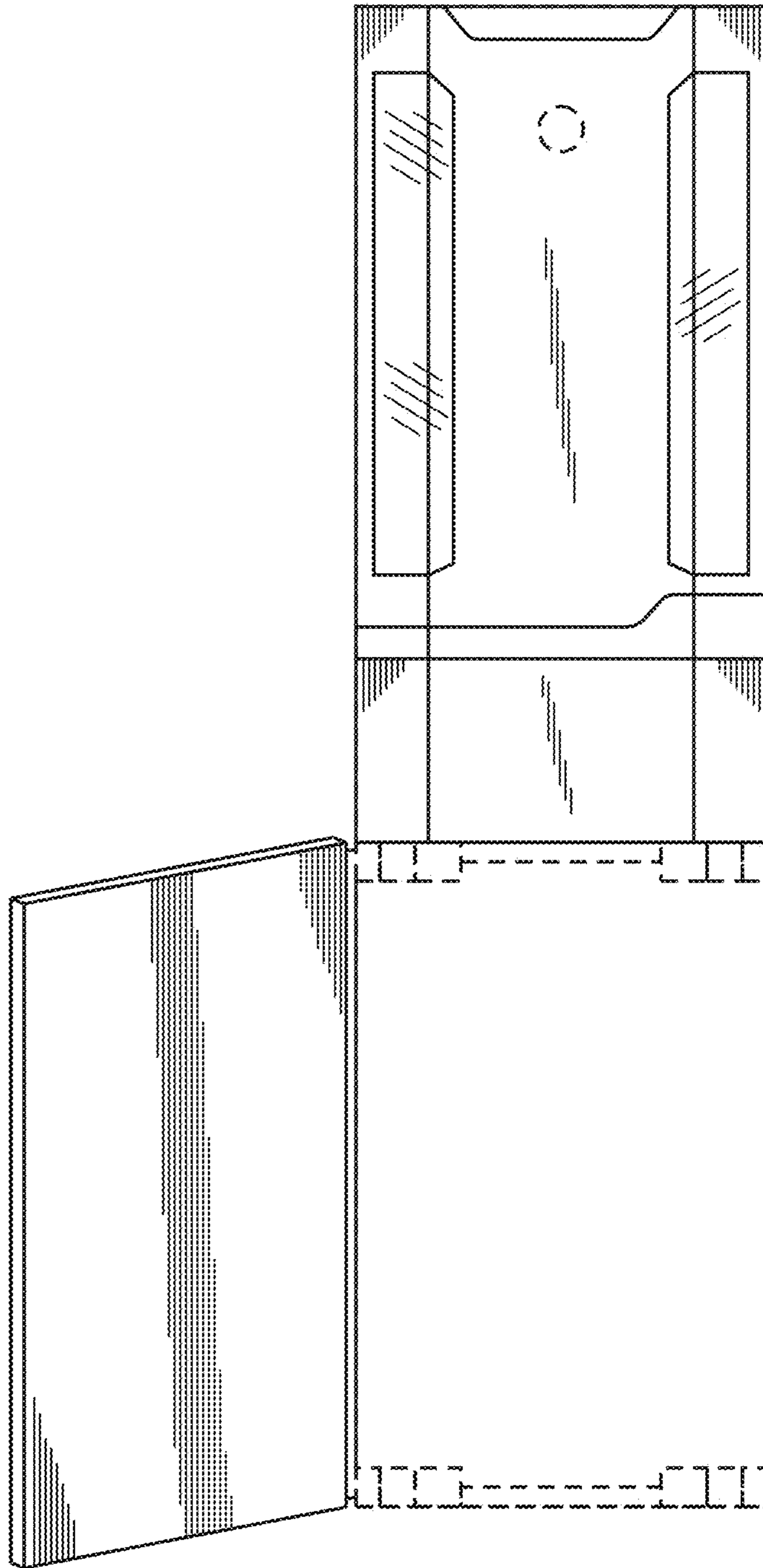
100
FIG. 1



200
FIG. 2



300
FIG. 3



400
FIG. 4