



US00D743967S

(12) **United States Design Patent**  
**Huang**

(10) **Patent No.:** **US D743,967 S**  
(45) **Date of Patent:** **\*\* Nov. 24, 2015**

- (54) **TABLET COMPUTER CASE**
- (71) Applicant: **TRIANGUS GROUP CO., LTD.**,  
Taoyuan County (TW)
- (72) Inventor: **Kuo Shih Huang**, Taoyuan County  
(TW)
- (73) Assignee: **TRIANGUS GROUP CO., LTD.**,  
Taoyuan County (TW)
- (\*\*) Term: **14 Years**
- (21) Appl. No.: **29/506,458**
- (22) Filed: **Oct. 15, 2014**
- (51) **LOC (10) Cl.** ..... **14-02**
- (52) **U.S. Cl.**  
USPC ..... **D14/440**
- (58) **Field of Classification Search**  
USPC ..... D14/250, 251, 253, 240, 217, 496, 440,  
D14/203.3, 203.4, 203.5, 203.8, 341, 318;  
D3/218, 215, 201, 294, 289, 900;  
220/4.02; 248/309.1; 361/679.56;  
379/426, 433.11, 455; 455/575.1,  
455/575.8, 457.1; 190/100; 206/305, 320,  
206/45.2; D21/469; 312/240  
CPC ... G06F 1/1601; G06F 1/1626; G06F 1/1633;  
G06F 1/1675; G06F 1/1679; G02F 1/1306;  
G02F 1/133; G02F 1/133308; G02F 1/153;  
G02F 1/1533; G02F 2001/133317; H04M  
1/185; H04M 1/0252; H04B 1/3888  
See application file for complete search history.

- (56) **References Cited**  
U.S. PATENT DOCUMENTS
- 1,613,536 A \* 1/1927 Rose ..... 132/315
- D230,376 S \* 2/1974 Andrew ..... D19/91
- 4,259,568 A \* 3/1981 Dynesen ..... 235/1 D
- 6,772,879 B1 \* 8/2004 Domotor ..... 206/45.23
- 7,281,698 B2 \* 10/2007 Patterson, Jr. .... 248/458
- 7,414,833 B2 \* 8/2008 Kittayapong ..... 361/679.27

D600,699	S *	9/2009	Johnston et al.	.....	D14/440
7,735,644	B2 *	6/2010	Sirichai et al.	.....	206/320
D658,187	S *	4/2012	Diebel	.....	D14/440
D658,188	S *	4/2012	Diebel	.....	D14/440
D663,304	S *	7/2012	Akana et al.	.....	D14/440
8,230,992	B2 *	7/2012	Law et al.	.....	206/320
8,245,843	B1 *	8/2012	Wu	.....	206/320
D669,480	S *	10/2012	Piedra et al.	.....	D14/440
8,312,991	B2 *	11/2012	Diebel et al.	.....	206/45.24
D671,948	S *	12/2012	Akana et al.	.....	D14/440
D672,353	S *	12/2012	Liu	.....	D14/440
D672,781	S *	12/2012	Lu	.....	D14/440
D675,625	S *	2/2013	Hasbrook et al.	.....	D14/440
D678,260	S *	3/2013	Bau	.....	D14/250

(Continued)

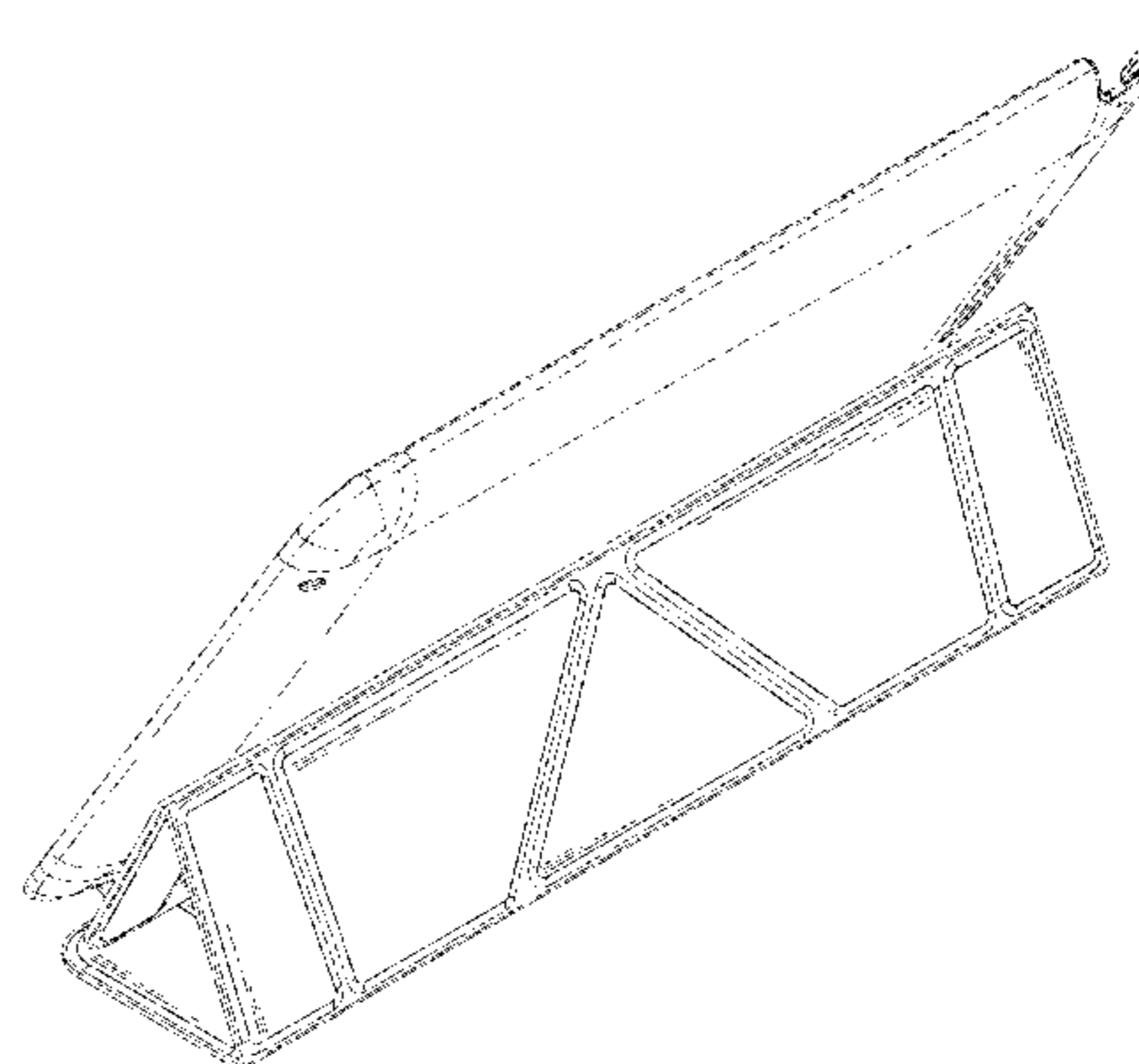
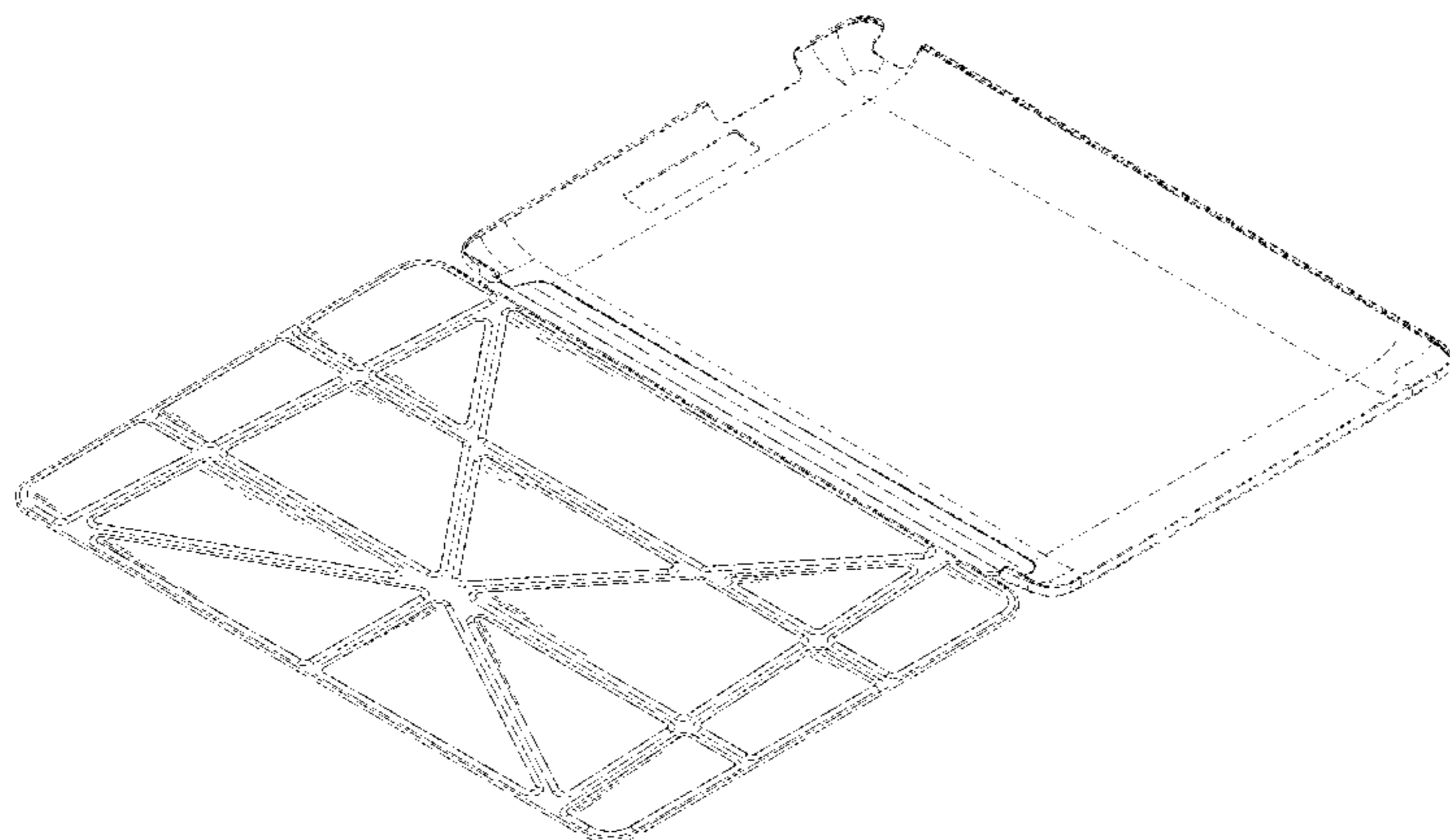
*Primary Examiner* — Cynthia Underwood  
(74) *Attorney, Agent, or Firm* — Rabin & Berdo, P.C.

(57) **CLAIM**  
The ornamental design of a tablet computer case, as shown and described.

**DESCRIPTION**

FIG. 1 is a perspective view of a tablet computer case showing my new design;  
 FIG. 2 is a front view thereof;  
 FIG. 3 is a rear view thereof;  
 FIG. 4 is a left side view thereof;  
 FIG. 5 is a right side view thereof;  
 FIG. 6 is a top view thereof;  
 FIG. 7 is a bottom view thereof; and  
 FIG. 8 shows a back right perspective view of tablet computer case in first use mode.  
 FIG. 9 shows a back right perspective view of tablet computer case in second use mode.  
 FIG. 10 shows a back right perspective view of tablet computer case in third use mode; and,  
 FIG. 11 shows a front right perspective view of tablet computer case in fourth use mode.  
 The broken lines shown in the drawings are included for the purpose of illustrating portions of the structure that form no part of the claimed design.

**1 Claim, 9 Drawing Sheets**



(56)

References Cited

U.S. PATENT DOCUMENTS

D679,279	S *	4/2013	Yang et al.	.....	D14/440	8,773,353	B2 *	7/2014	Wei	.....	345/156
D679,715	S *	4/2013	Akana et al.	.....	D14/440	8,783,458	B2 *	7/2014	Gallagher et al.	.....	206/320
8,424,830	B2 *	4/2013	Yang et al.	.....	248/459	D710,859	S *	8/2014	Mecchella et al.	.....	D14/440
D681,641	S *	5/2013	Van Den Nieuwenhuizen et al.	.....	D14/440	D711,861	S *	8/2014	Mei	.....	D14/250
D682,836	S *	5/2013	Akana et al.	.....	D14/440	8,797,132	B2 *	8/2014	Childs et al.	.....	335/219
D682,838	S *	5/2013	Akana et al.	.....	D14/440	D712,413	S *	9/2014	Fukai	.....	D14/440
D683,141	S *	5/2013	Symons	.....	D6/310	D720,756	S *	1/2015	Stavarakakis	.....	D14/440
D687,438	S *	8/2013	Lu	.....	D14/440	D723,040	S *	2/2015	Kang et al.	.....	D14/440
D690,305	S *	9/2013	Wen	.....	D14/440	D723,569	S *	3/2015	Peng	.....	D14/440
D690,702	S *	10/2013	Chung	.....	D14/440	D724,090	S *	3/2015	Kim et al.	.....	D14/440
D691,142	S *	10/2013	Diebel	.....	D14/440	D726,192	S *	4/2015	Massucco et al.	.....	D14/440
D692,434	S *	10/2013	Kim	.....	D14/440	D727,332	S *	4/2015	Hirsch	.....	D14/440
D693,823	S *	11/2013	Chen et al.	.....	D14/440	D727,916	S *	4/2015	Melmon et al.	.....	D14/440
D695,296	S *	12/2013	Hsu	.....	D14/440	D727,919	S *	4/2015	Melmon et al.	.....	D14/440
D696,253	S *	12/2013	Akana et al.	.....	D14/345	D730,913	S *	6/2015	Shao	.....	D14/440
D696,256	S *	12/2013	Piedra et al.	.....	D14/440	D733,150	S *	6/2015	Sirichai	.....	D14/440
D696,669	S *	12/2013	Akana et al.	.....	D14/440	D733,151	S *	6/2015	Brierley	.....	D14/440
8,640,864	B2 *	2/2014	Chen et al.	.....	206/45.2	D733,152	S *	6/2015	Sirichai	.....	D14/440
8,644,893	B2 *	2/2014	Liang	.....	455/575.1	2003/0034263	A1 *	2/2003	D'Hoste	.....	206/320
8,657,112	B2 *	2/2014	Igarashi	.....	206/320	2008/0302687	A1 *	12/2008	Sirichai et al.	.....	206/320
D701,205	S *	3/2014	Akana et al.	.....	D14/345	2009/0159763	A1 *	6/2009	Kim	.....	248/174
D702,673	S *	4/2014	Murchison et al.	.....	D14/250	2011/0266194	A1 *	11/2011	Bau	.....	206/736
D704,689	S *	5/2014	Chang	.....	D14/250	2011/0290687	A1 *	12/2011	Han	.....	206/320
D704,693	S *	5/2014	Kim	.....	D14/250	2012/0037523	A1 *	2/2012	Diebel et al.	.....	206/320
D706,270	S *	6/2014	Akana et al.	.....	D14/440	2012/0211377	A1 *	8/2012	Sajid	.....	206/216
D706,783	S *	6/2014	Almodova	.....	D14/440	2012/0211613	A1 *	8/2012	Yang et al.	.....	248/174
D707,229	S *	6/2014	Almodova	.....	D14/440	2012/0305413	A1 *	12/2012	Chung	.....	206/45.23
8,757,375	B2 *	6/2014	Huang	.....	206/320	2012/0308981	A1 *	12/2012	Libin et al.	.....	434/362
D708,838	S *	7/2014	Lee	.....	D3/201	2013/0015088	A1 *	1/2013	Wu	.....	206/320
8,763,795	B1 *	7/2014	Oten et al.	.....	206/45.23	2013/0020216	A1 *	1/2013	Chiou	.....	206/320
8,766,921	B2 *	7/2014	Ballagas et al.	.....	345/168	2013/0140203	A1 *	6/2013	Chiang	.....	206/320
						2013/0213838	A1 *	8/2013	Tsai et al.	.....	206/320
						2013/0214661	A1 *	8/2013	McBroom	.....	312/325
						2013/0241381	A1 *	9/2013	Hyneczek et al.	.....	312/240
						2013/0264459	A1 *	10/2013	McCosh et al.	.....	248/688

\* cited by examiner

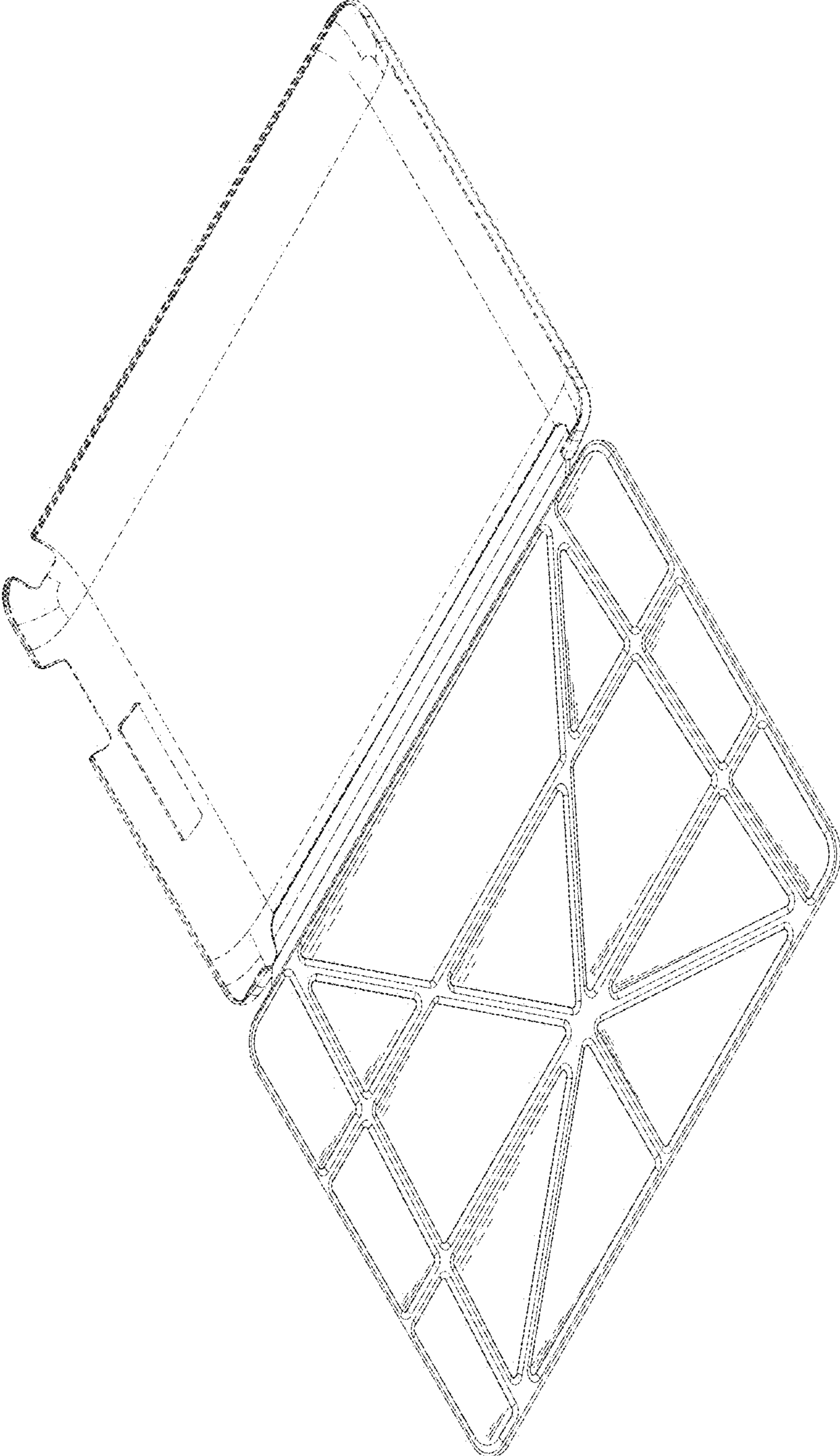


FIG. 1

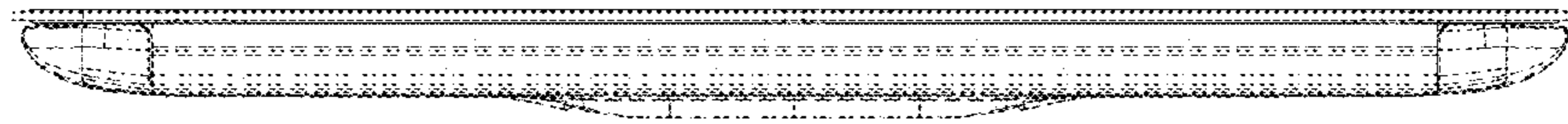


FIG. 2



FIG. 3



FIG. 4

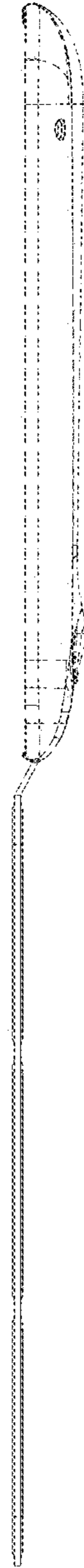


FIG. 5

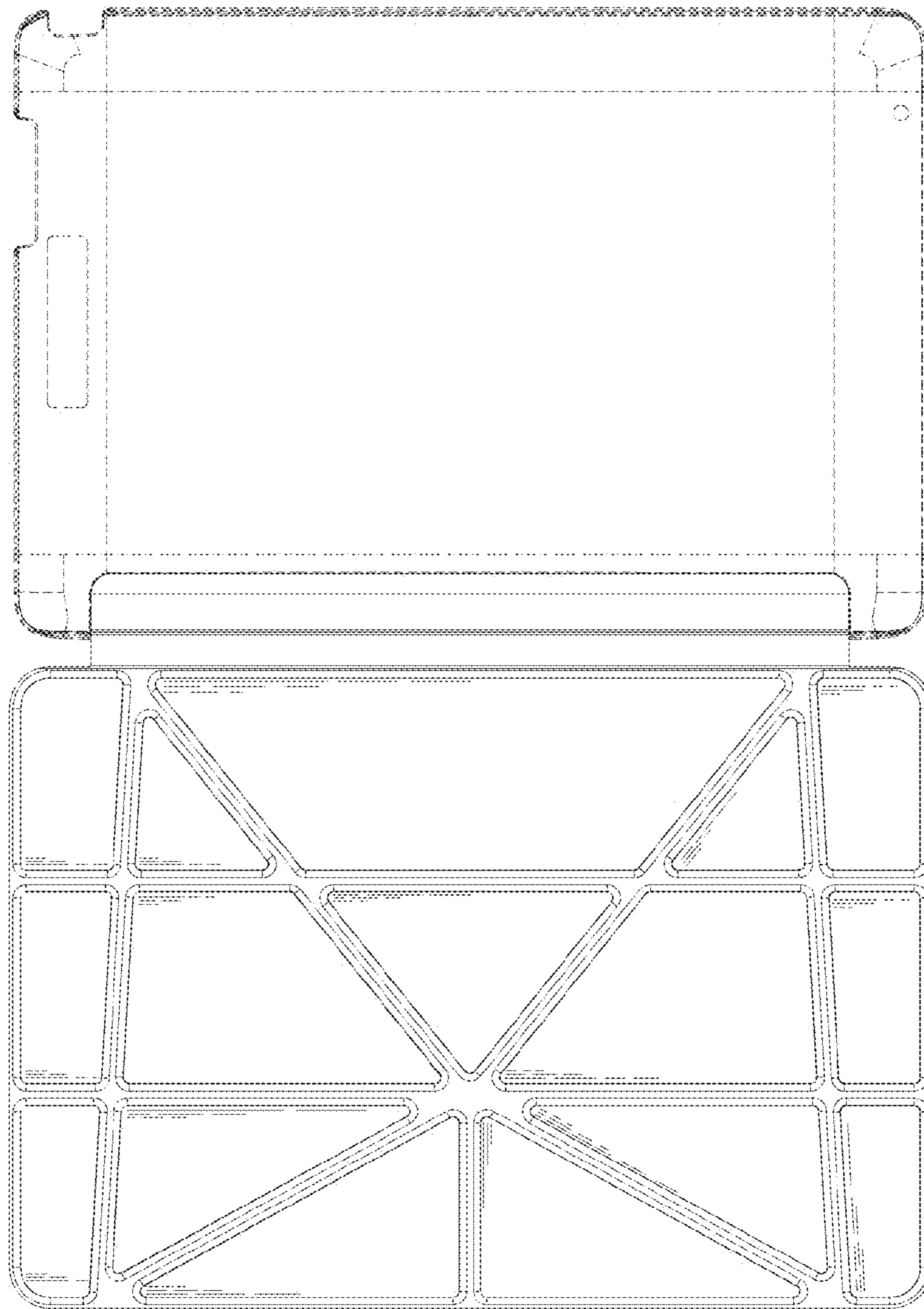


FIG. 6

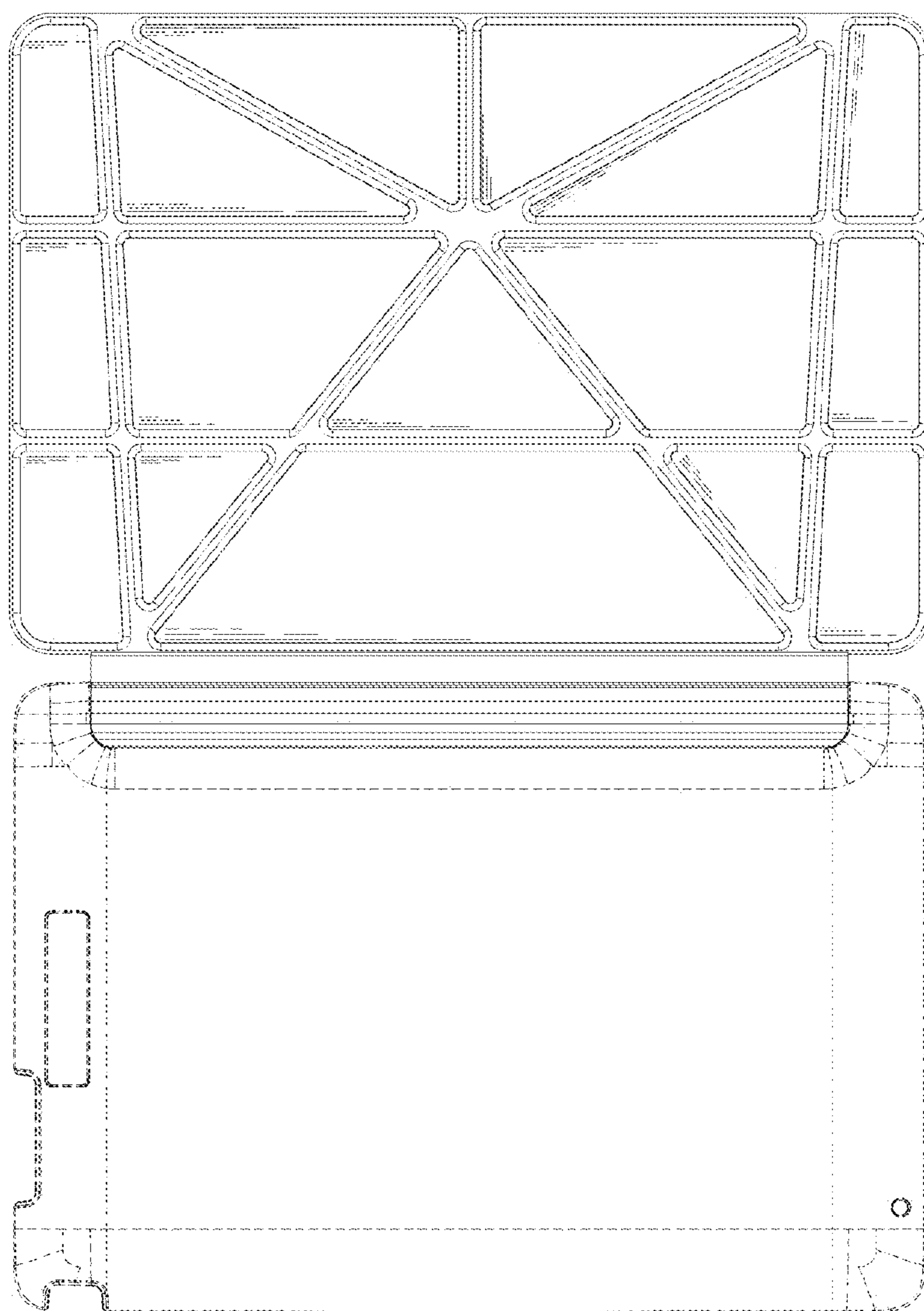


FIG. 7

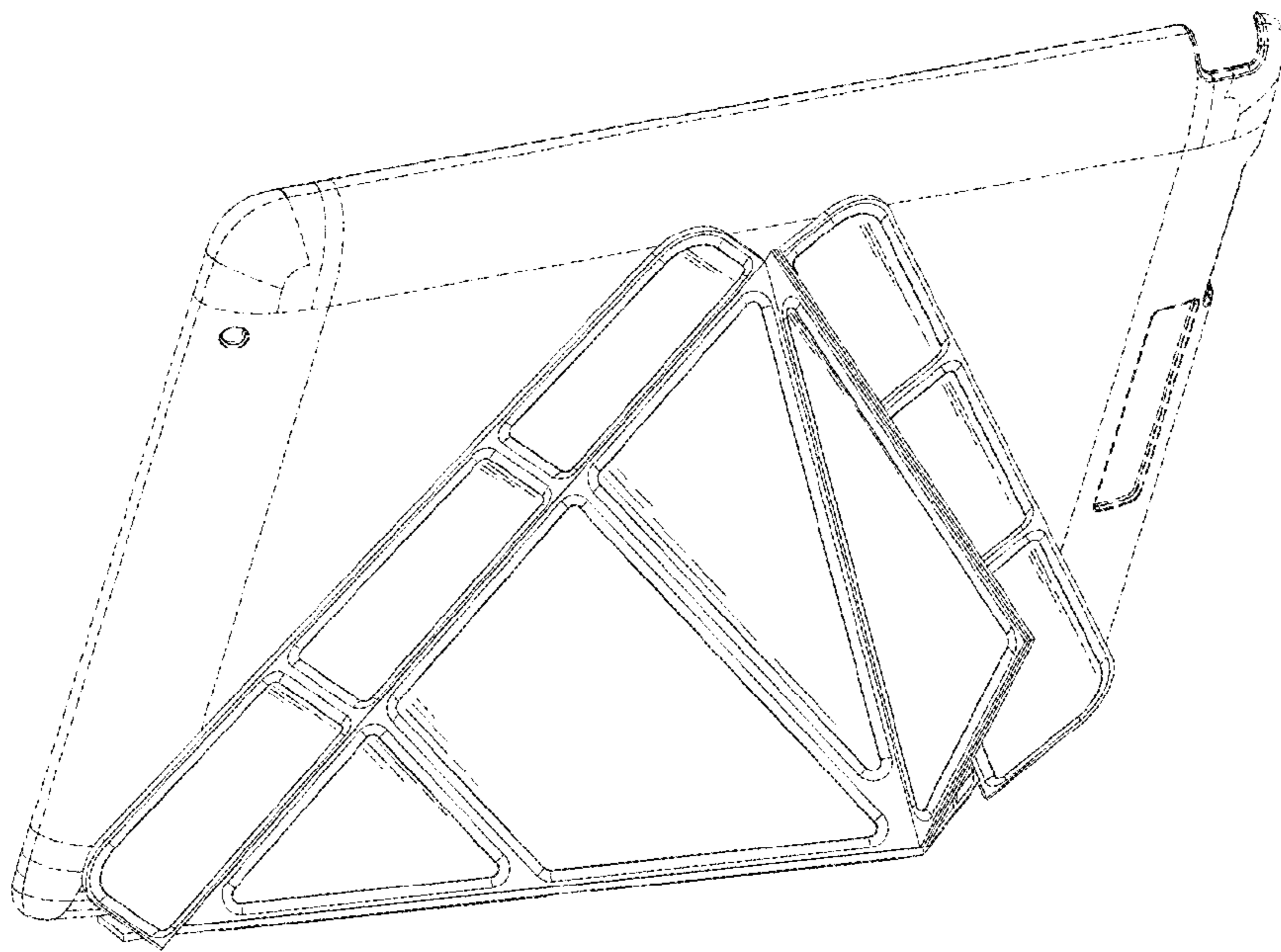


FIG. 8



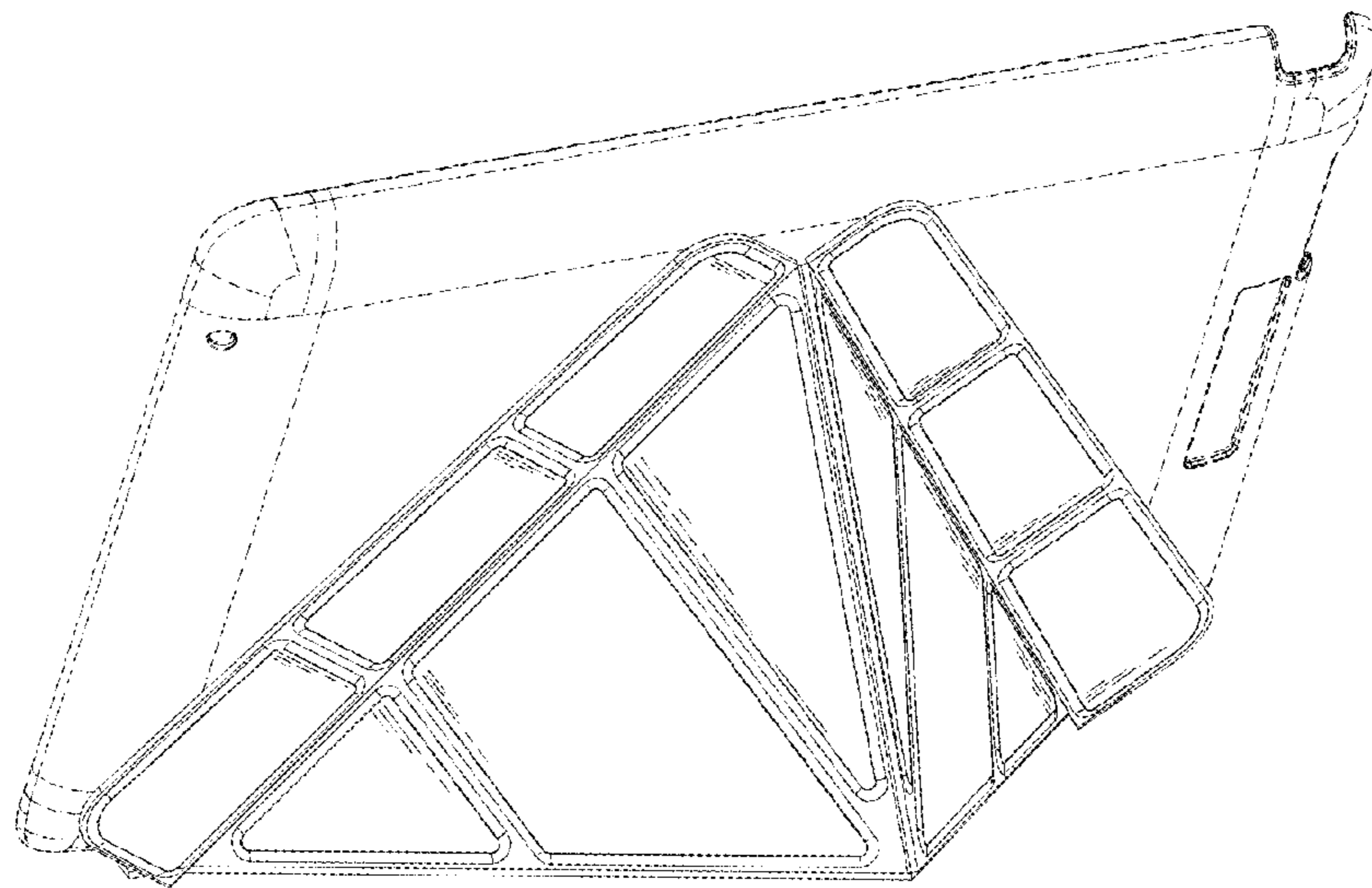


FIG. 9

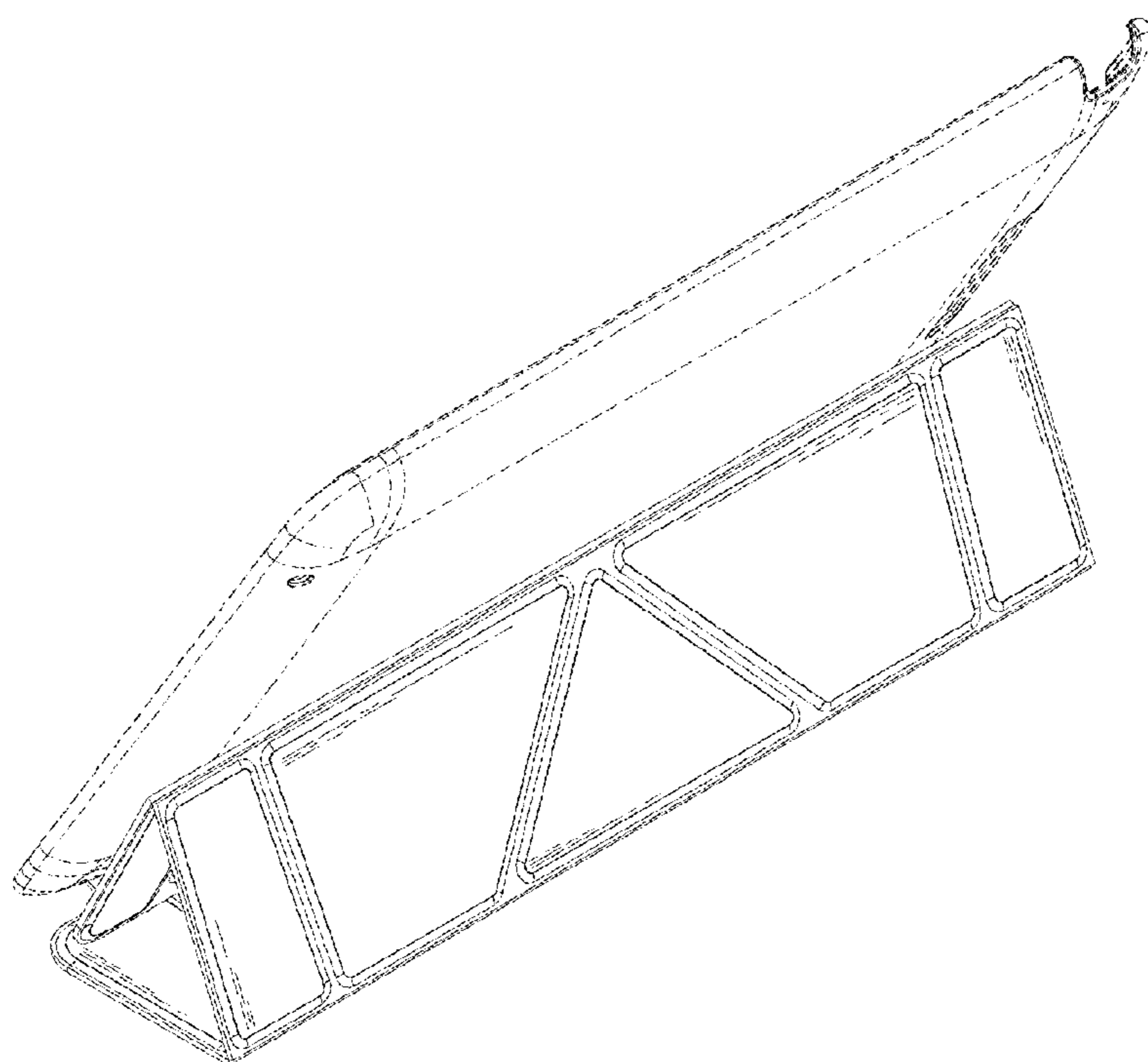


FIG. 10

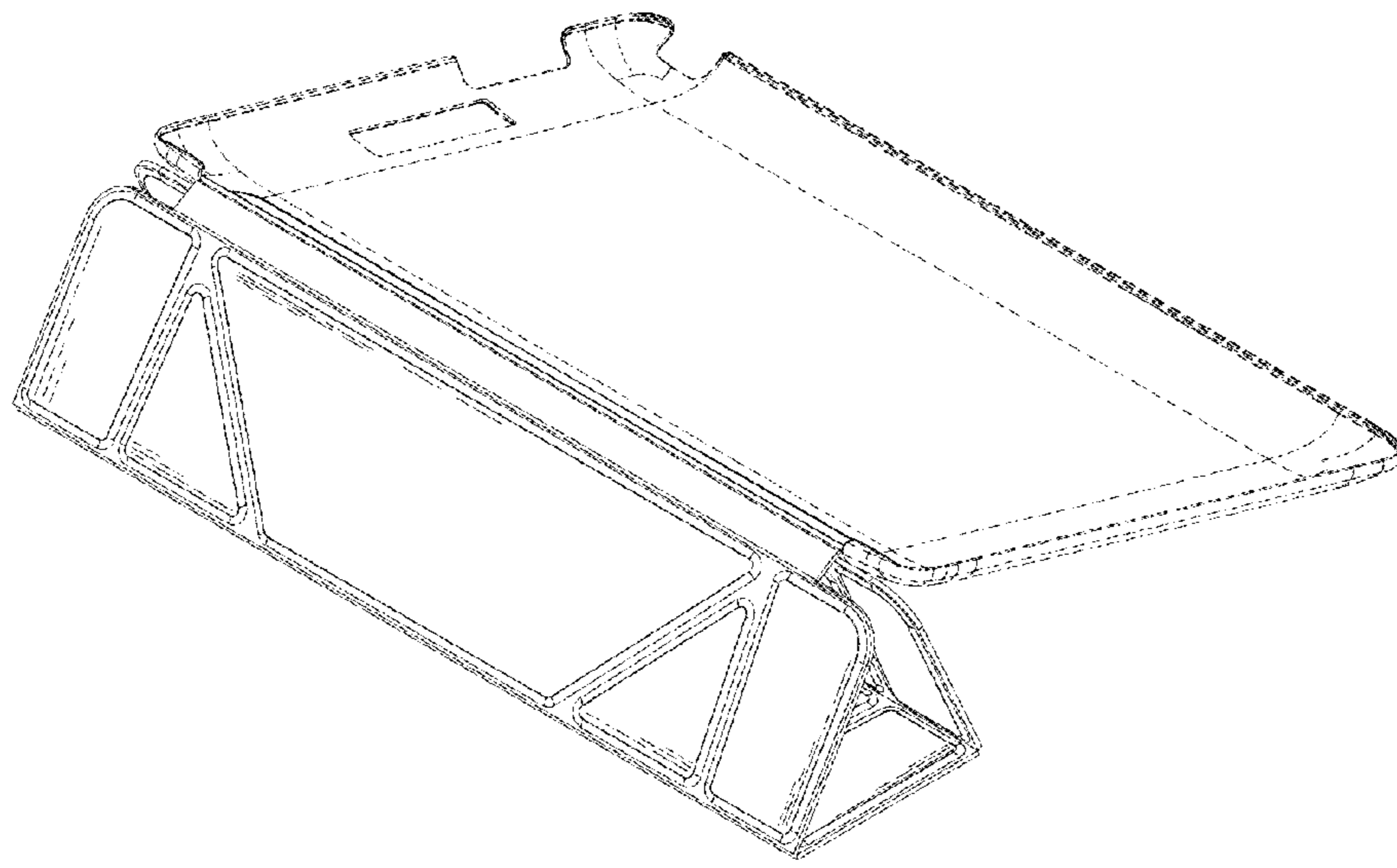


FIG. 11