



US00D743966S

(12) **United States Design Patent**
Izen et al.

(10) **Patent No.:** **US D743,966 S**
(45) **Date of Patent:** **** Nov. 24, 2015**

(54) **DUAL DOCKING STATION**

(71) Applicant: **First Act Inc.**, Boston, MA (US)

(72) Inventors: **Mark Izen**, Chestnut Hill, MA (US);
Craig Small, Framingham, MA (US);
Suzanne Wasserman, Winchester, MA (US)

(73) Assignee: **First Act Inc.**, Boston, MA (US)

(**) Term: **14 Years**

(21) Appl. No.: **29/478,584**

(22) Filed: **Jan. 7, 2014**

(51) **LOC (10) Cl.** **14-02**

(52) **U.S. Cl.**
USPC **D14/434**

(58) **Field of Classification Search**
USPC D14/217, 432, 434; D8/373; D13/107,
D13/108, 146; 248/176.1; 320/109,
320/112-115; 361/679.4, 679.31-679.33,
361/679.41, 679.43, 679.55; 455/557;
710/15, 303
CPC ... F16M 11/10; F16M 11/24; F16M 11/2092;
H02J 7/0042

See application file for complete search history.

(56) **References Cited**

U.S. PATENT DOCUMENTS

D278,703	S	*	5/1985	Chiodo et al.	D13/107
D322,060	S	*	12/1991	Iino	D13/107
5,317,691	A	*	5/1994	Traeger	709/250
5,327,067	A	*	7/1994	Scholder	320/107
D377,790	S	*	2/1997	Ober et al.	D14/453
D535,614	S	*	1/2007	Majanen et al.	D13/108
D647,907	S	*	11/2011	Perry et al.	D14/434

* cited by examiner

Primary Examiner — Freda S Nunn

(74) *Attorney, Agent, or Firm* — Alex Behrakis

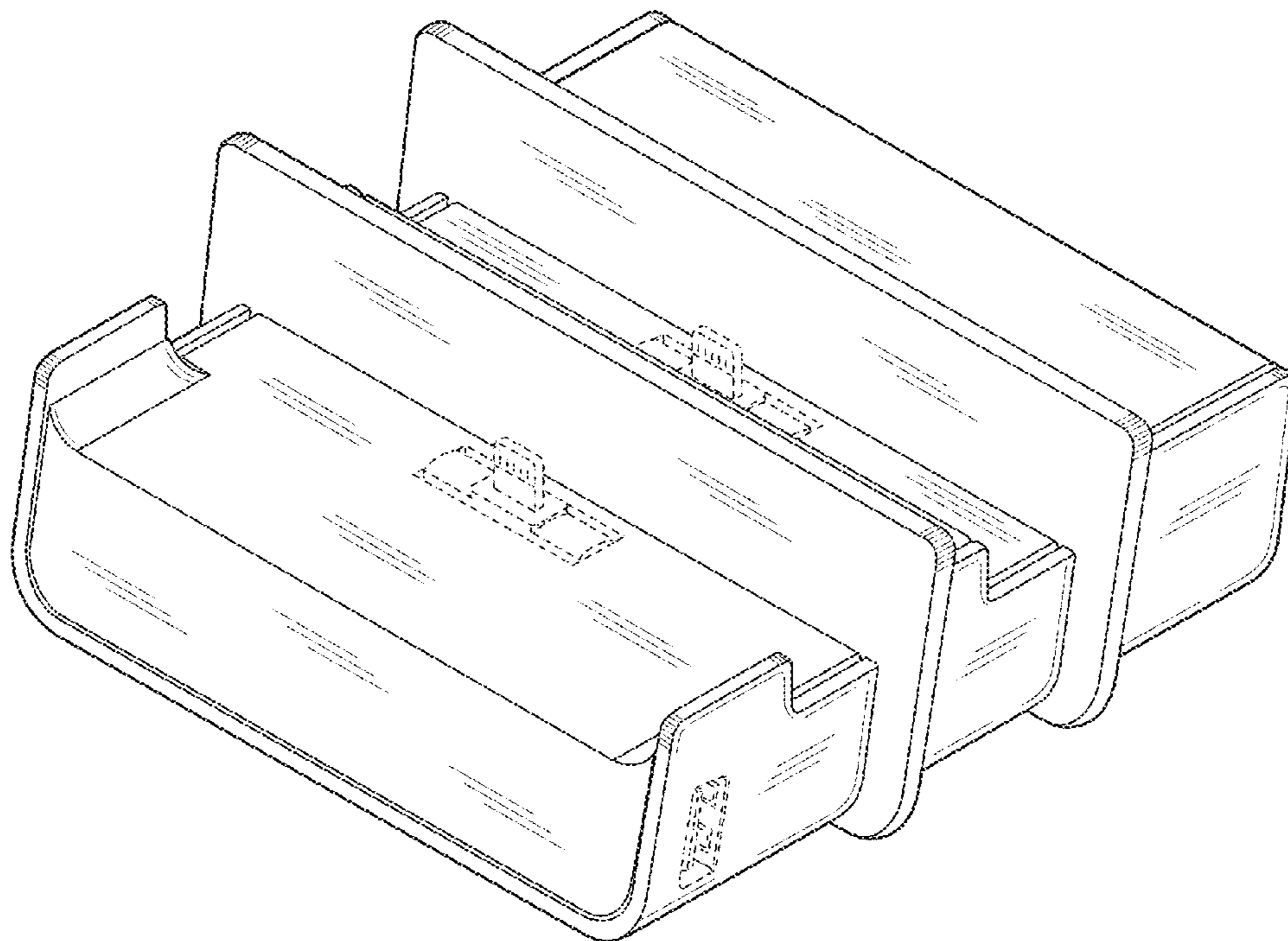
(57) **CLAIM**

The ornamental design for a dual docking station, as shown and described.

DESCRIPTION

FIG. 1 is a perspective view of the dual docking station according to our new design;
FIG. 2 is a front view thereof;
FIG. 3 is a rear view thereof;
FIG. 4 is a left side view thereof;
FIG. 5 is a right side view thereof;
FIG. 6 is a top view thereof; and,
FIG. 7 is a bottom view thereof.
Broken lines shown in the drawings illustrate portions of the dual docking station and form no part of the claimed design.

1 Claim, 7 Drawing Sheets



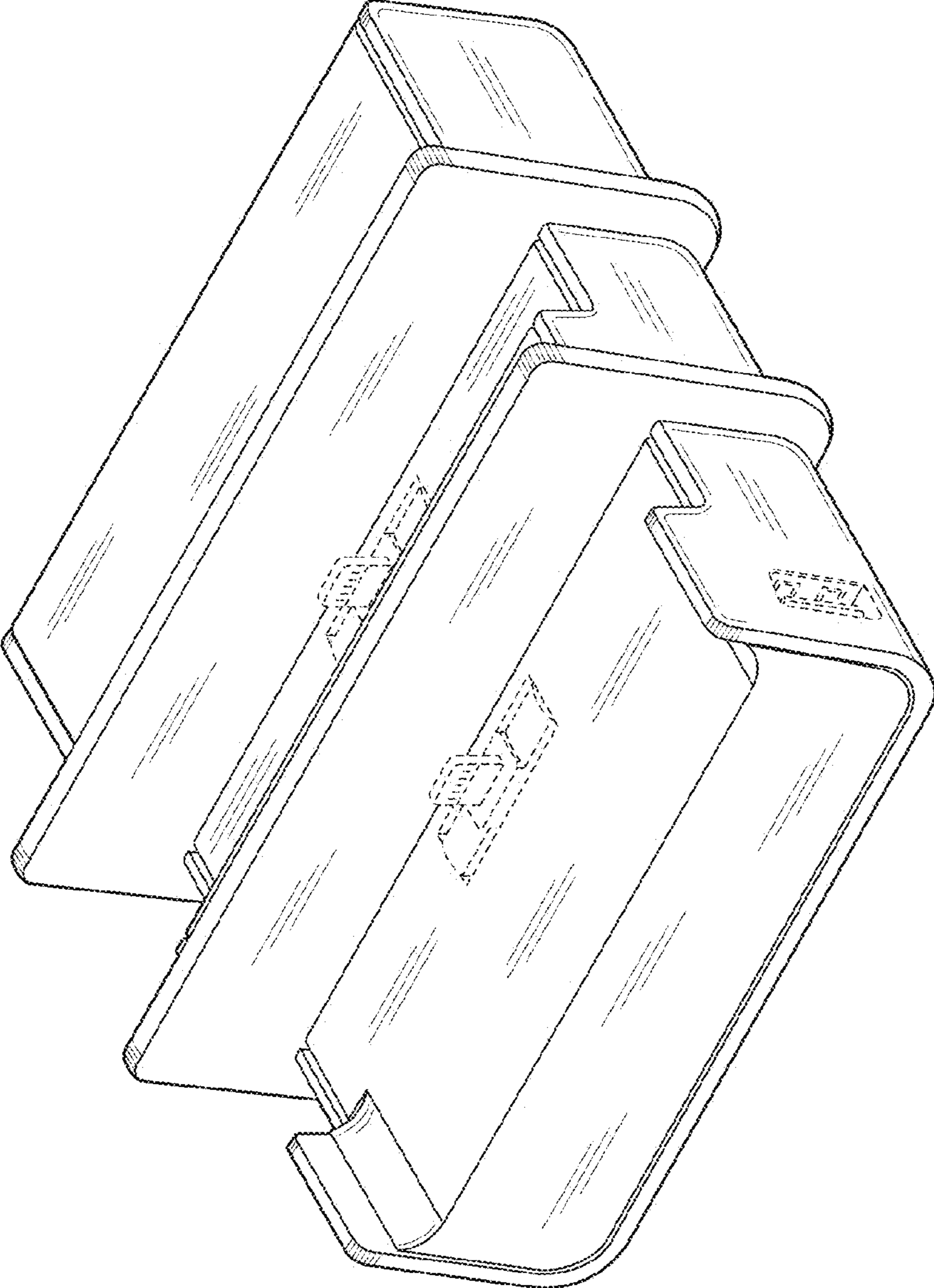


FIG. 1

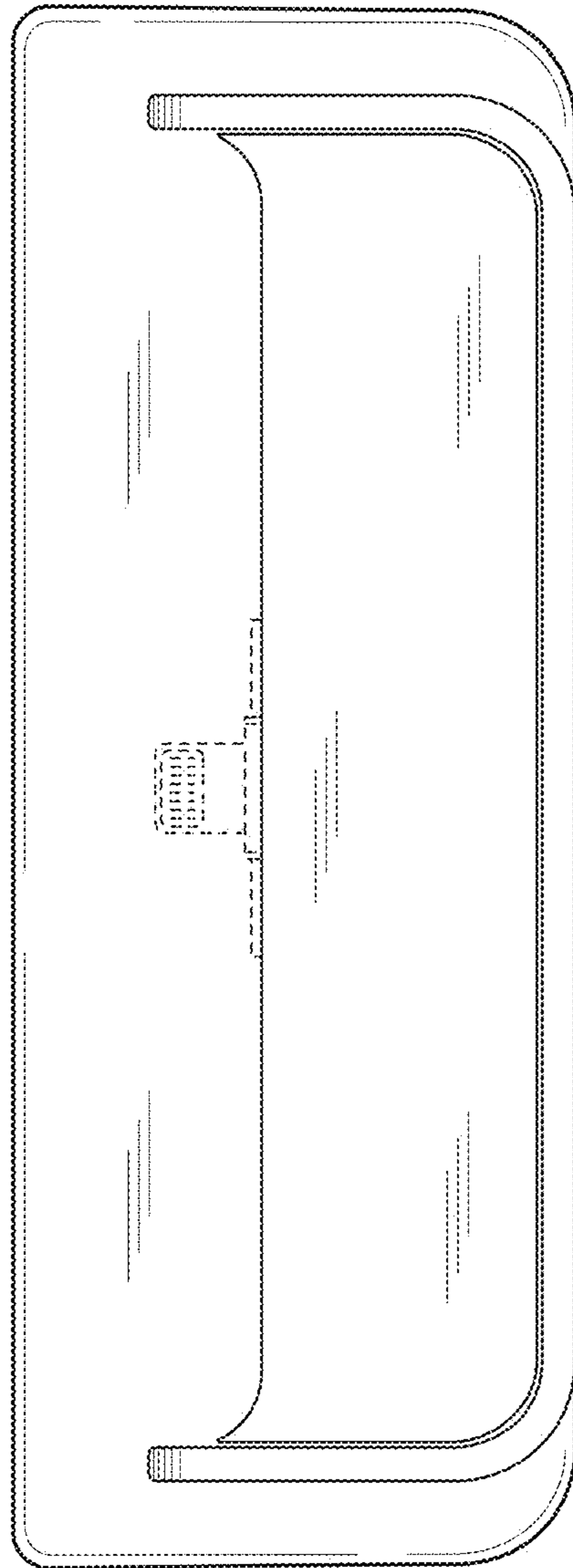


FIG. 2

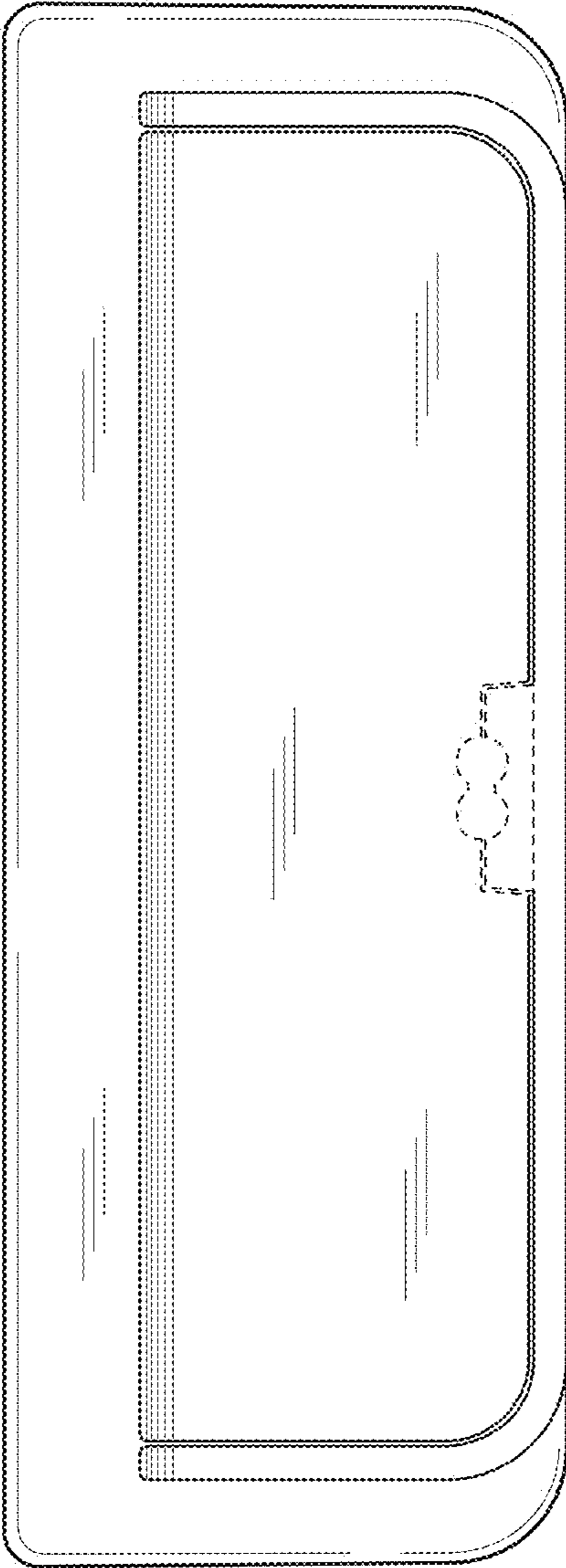


FIG. 3

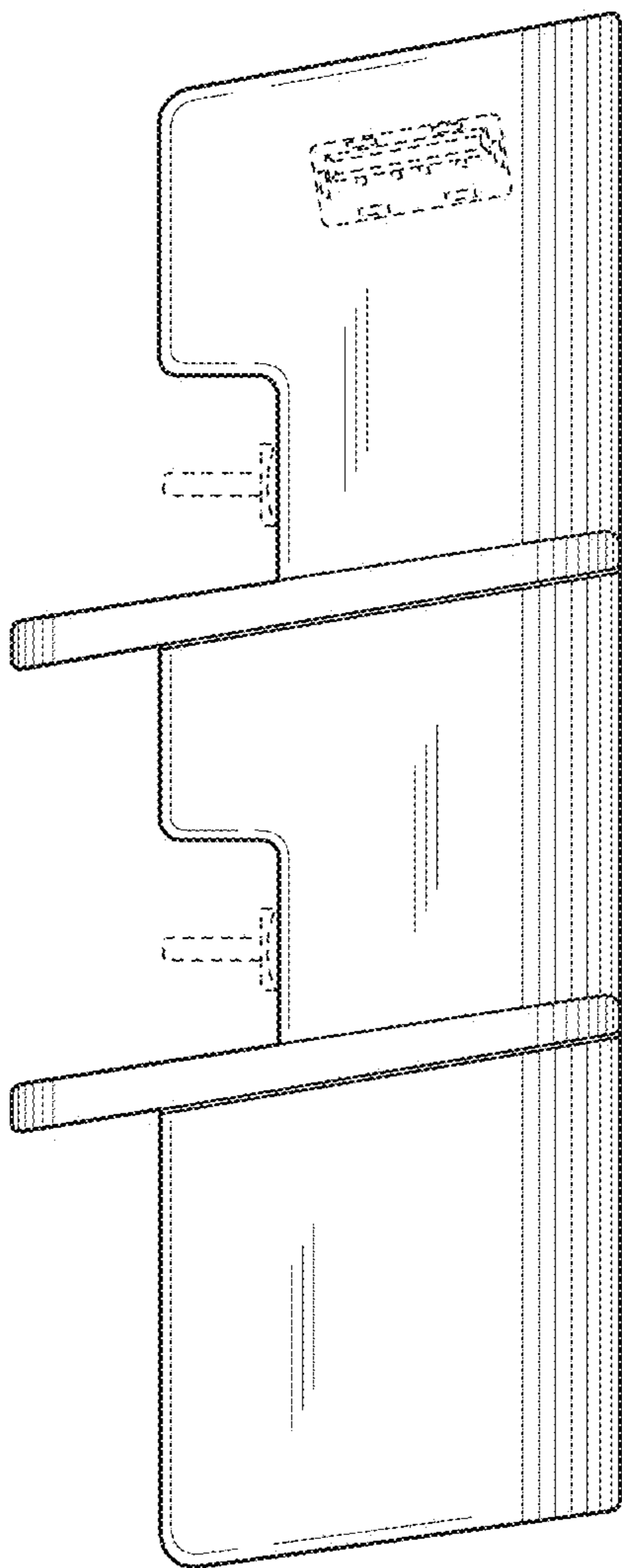


FIG. 4

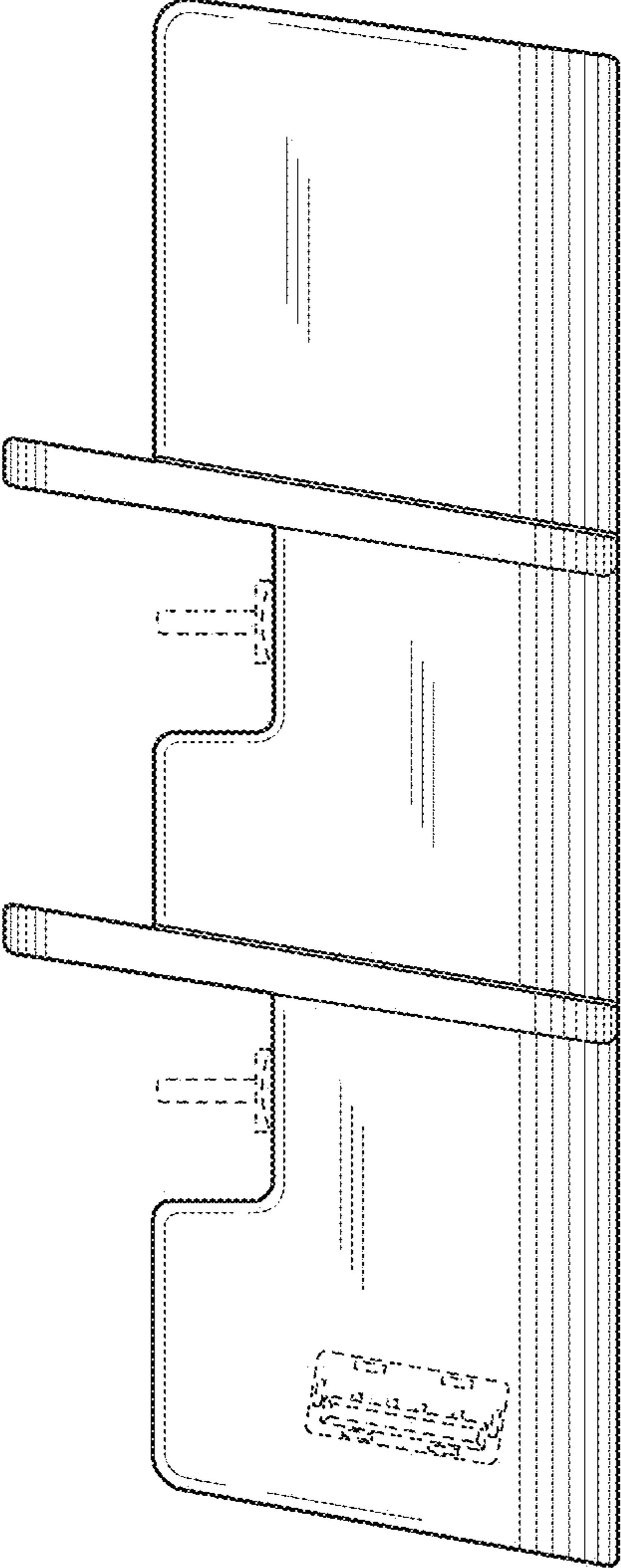


FIG. 5

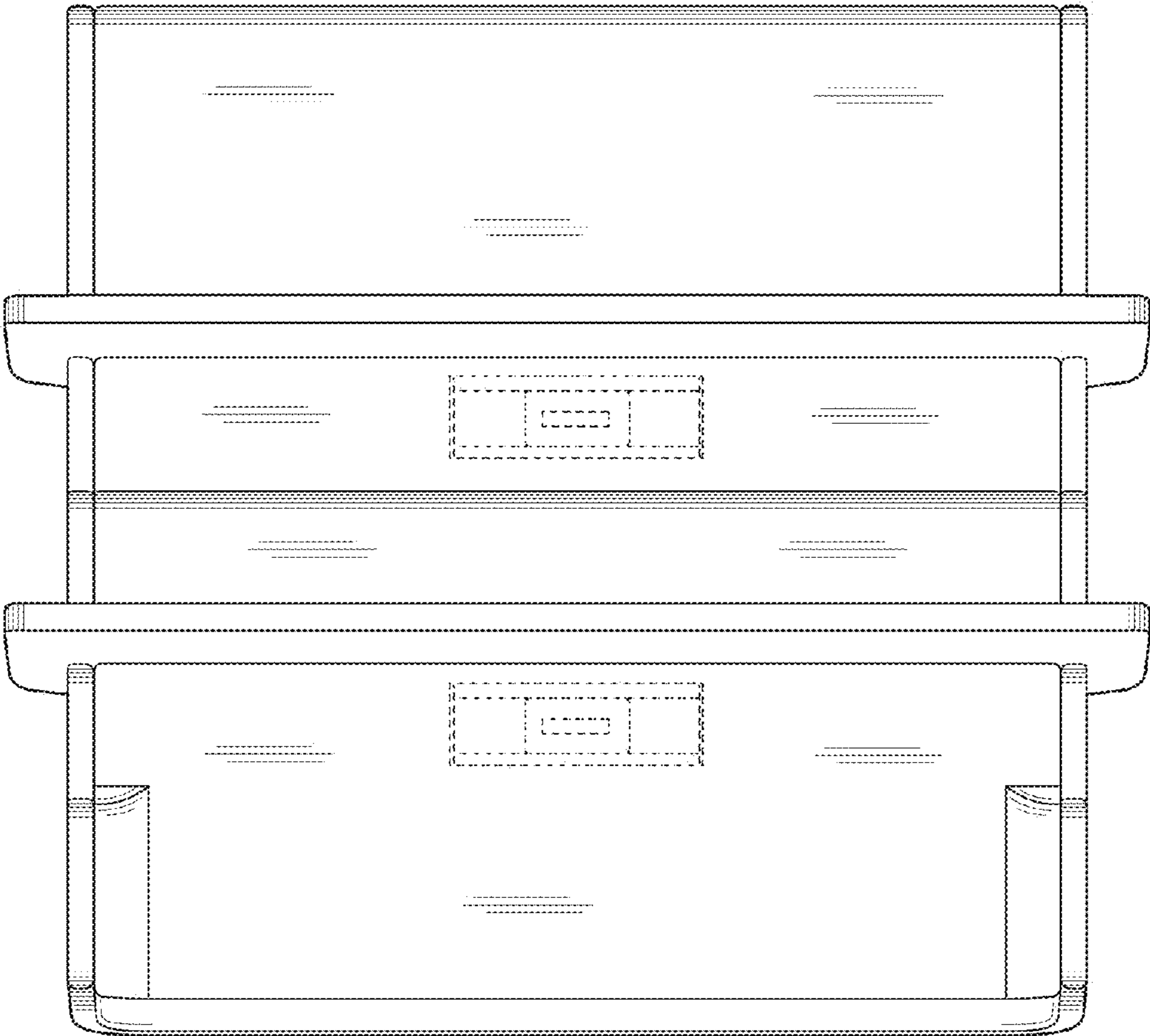


FIG. 6

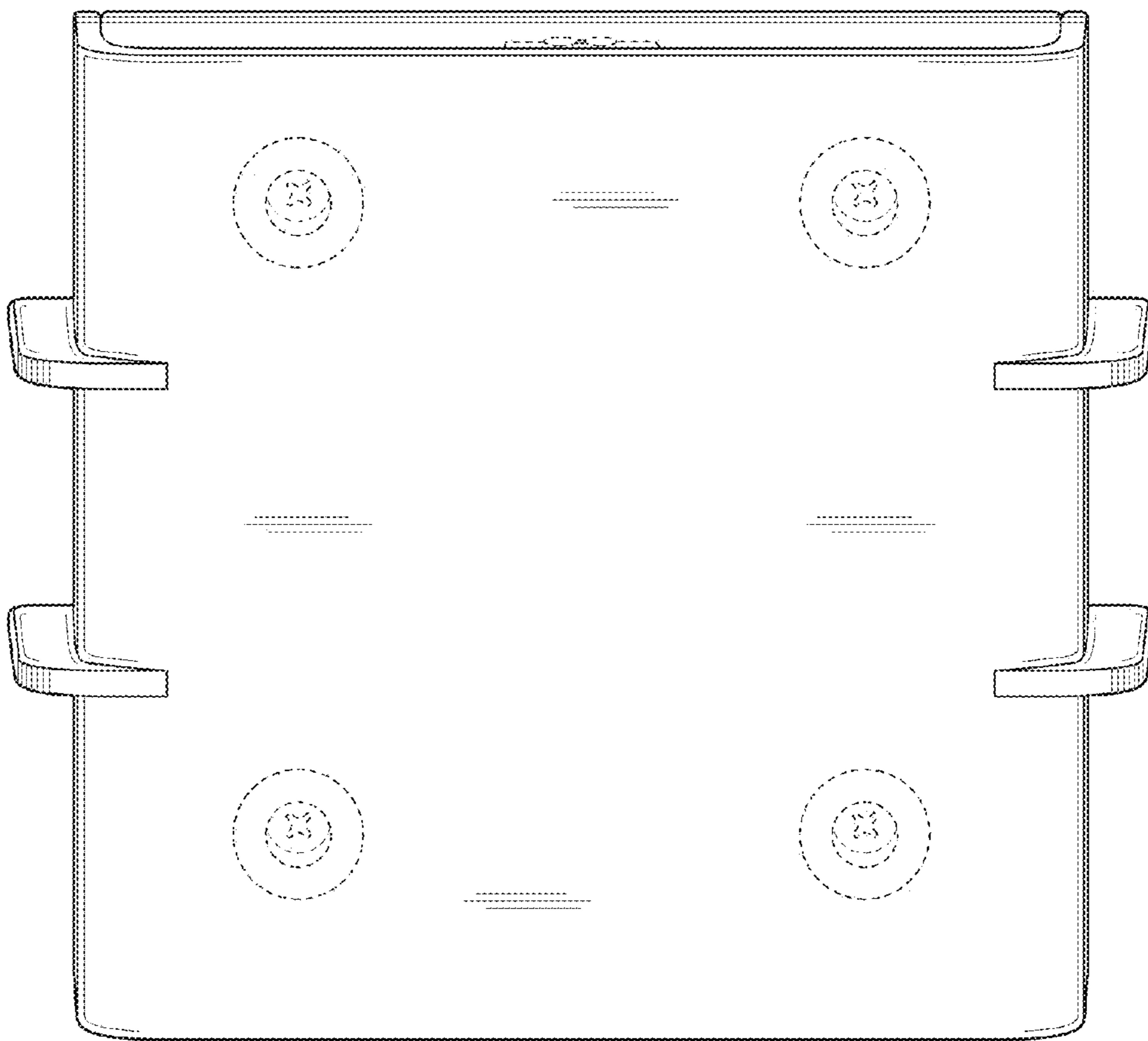


FIG. 7