



US00D743960S

(12) **United States Design Patent**
Lee et al.

(10) **Patent No.:** **US D743,960 S**
(45) **Date of Patent:** **** Nov. 24, 2015**

(54) **DISPLAY DEVICE**

(71) Applicant: **Samsung Display Co., LTD.**, Yongin,
Gyeonggi-do (KR)

(72) Inventors: **Yong-Joon Lee**, Yongin (KR);
Woo-Jong Lee, Yongin (KR)

(73) Assignee: **Samsung Display Co., Ltd.**, Yongin-si
(KR)

(**) Term: **14 Years**

(21) Appl. No.: **29/465,638**

(22) Filed: **Aug. 29, 2013**

(30) **Foreign Application Priority Data**

Apr. 30, 2013 (KR) 30-2013-0022891

(51) **LOC (10) Cl.** **14-02**

(52) **U.S. Cl.**
USPC **D14/341**

(58) **Field of Classification Search**

USPC D14/341-347, 137, 138 R, 138 AA,
D14/138 AB, 138 C, 138 G, 496, 203.1,
D14/203.3, 203.4, 203.7, 129, 130, 147,
D14/248, 250, 374, 385, 388, 389, 315-318,
D14/439, 126, 336, 339, 340; D10/104.1;
D21/329; 455/556.1, 556.2, 566,
455/575.1, 90.3; 379/433.04, 433.01,
379/433.06; 345/173, 901, 905;
361/679.26, 679.27, 679.3, 679.55,
361/679.56, 680-686; D6/308, 310;
348/373, 376; 248/917-924

CPC A63H 33/3016; G06F 1/1613; H04M
1/0202; H04M 1/0279; H04M 1/0281; H04M
1/0283

See application file for complete search history.

(56) **References Cited**

U.S. PATENT DOCUMENTS

D270,064 S * 8/1983 Akeret D6/308
D347,832 S * 6/1994 Kaye et al. D14/389

(Continued)

FOREIGN PATENT DOCUMENTS

KR 30-0362474 S 9/2004

OTHER PUBLICATIONS

Reading on The Move, announced Dec. 28, 2006 [online], [site
visited Feb. 26, 2015]. Available from Internet, URL:<<http://www.slashgear.com/reading-on-the-move-283170/>>.*

Primary Examiner — Barbara Fox

Assistant Examiner — Dana K Weiland

(74) *Attorney, Agent, or Firm* — Christie, Parker & Hale,
LLP

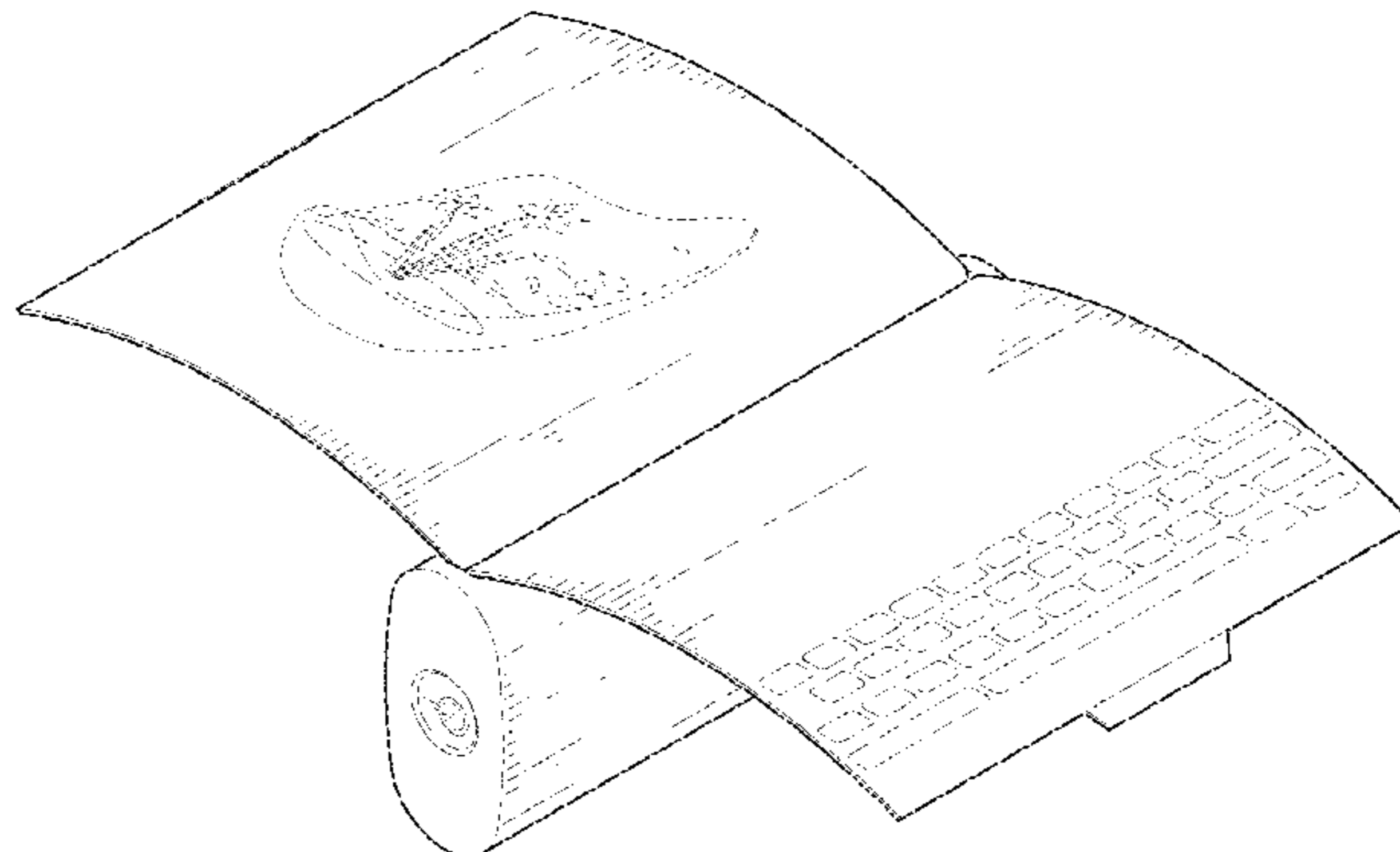
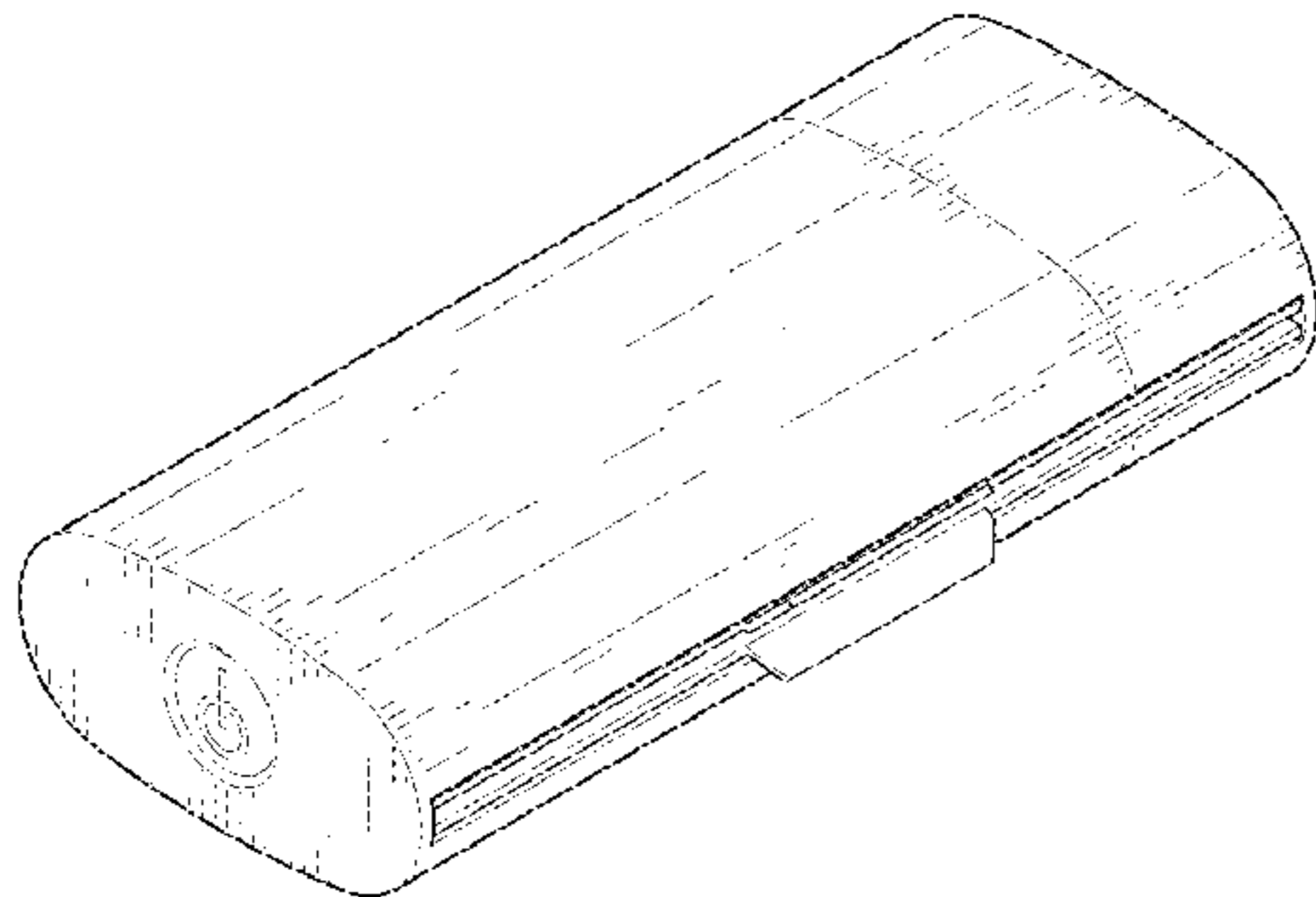
(57) **CLAIM**

The ornamental design for a display device, as shown and
described.

DESCRIPTION

FIG. 1 is a perspective view of the display device.
FIG. 2 is a front view of the display device.
FIG. 3 is a rear view of the display device.
FIG. 4 is a left side view of the display device.
FIG. 5 is a right side view of the display device.
FIG. 6 is a top plan view of the display device.
FIG. 7 is a bottom plan view of the display device.
FIG. 8 is a perspective view of the display device of FIGS. 1-7
shown in an alternate state, showing a screen display.
FIG. 9 is another top plan view of the display device in an
alternate state of use, showing information on a display area;
and,
FIG. 10 is another bottom plan view of the display device in
an alternate state of use, showing information on a display
area.
The broken lines in the figures represent portions of the dis-
play device that form no part of the claimed design.

1 Claim, 6 Drawing Sheets



(56)

References Cited

U.S. PATENT DOCUMENTS

6,498,597	B1 *	12/2002	Sawano	345/107	7,920,320	B2 *	4/2011	Watson et al.	359/296
6,771,232	B2 *	8/2004	Fujieda et al.	345/30	D711,871	S *	8/2014	Daniel	D14/341
6,897,850	B2 *	5/2005	Sugimoto	345/169	D722,037	S *	2/2015	Nam et al.	D14/138 G
7,154,452	B2 *	12/2006	Nakamura et al.	345/1.1	2003/0048256	A1	3/2003	Salmon	
D571,556	S *	6/2008	Raile	D3/265	2008/0086925	A1	4/2008	Yang	
D608,765	S *	1/2010	Tsai et al.	D14/218	2010/0182288	A1	7/2010	Misawa	
7,787,912	B2 *	8/2010	Saila	455/575.1	2011/0018785	A1	1/2011	Aoki	
D623,407	S *	9/2010	Raile	D3/265	2011/0304562	A1 *	12/2011	Wu et al.	345/173
					2014/0240264	A1 *	8/2014	Im et al.	345/173
					2014/0328013	A1 *	11/2014	Heikes et al.	361/679.27

* cited by examiner

FIG. 1

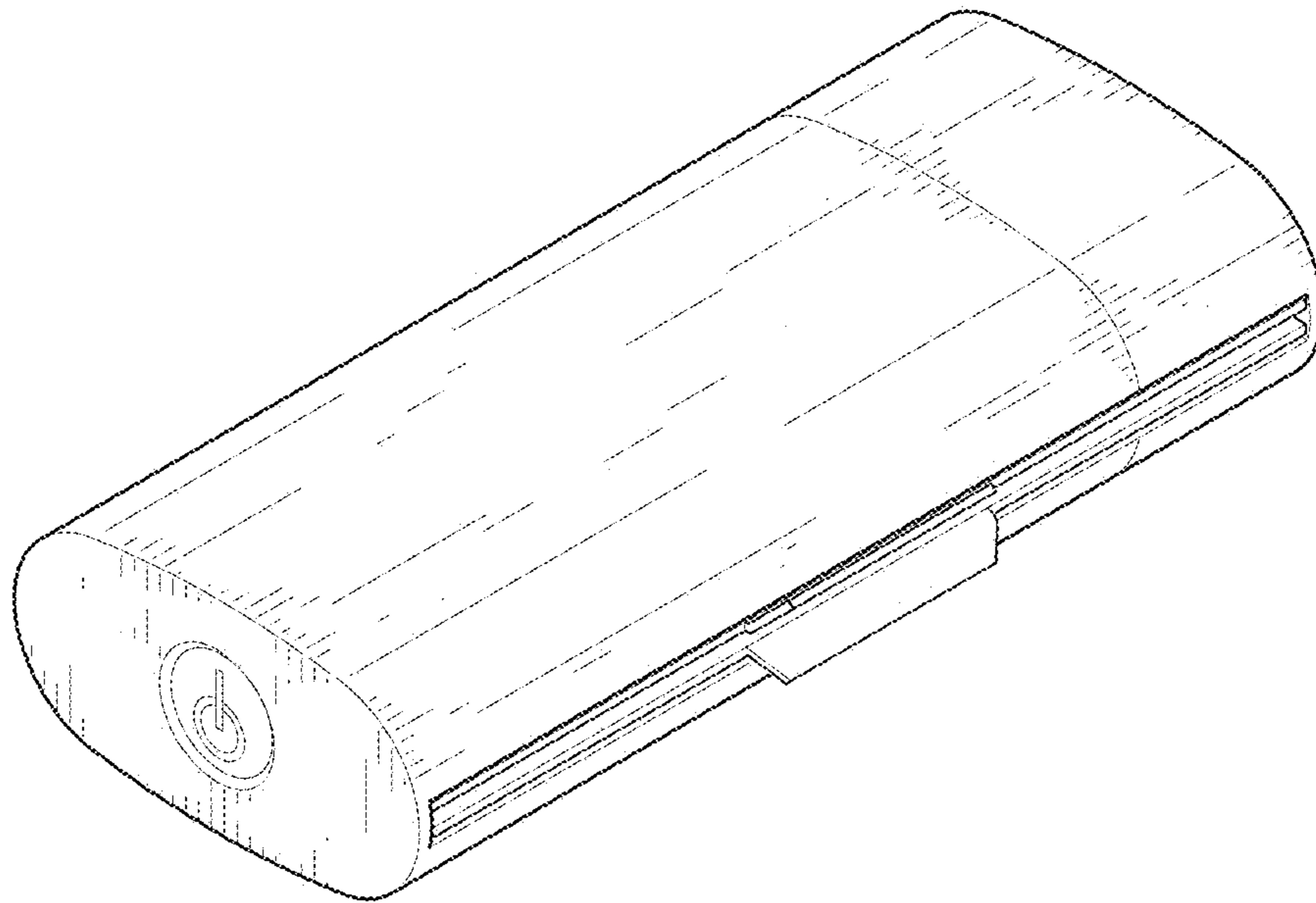


FIG. 2

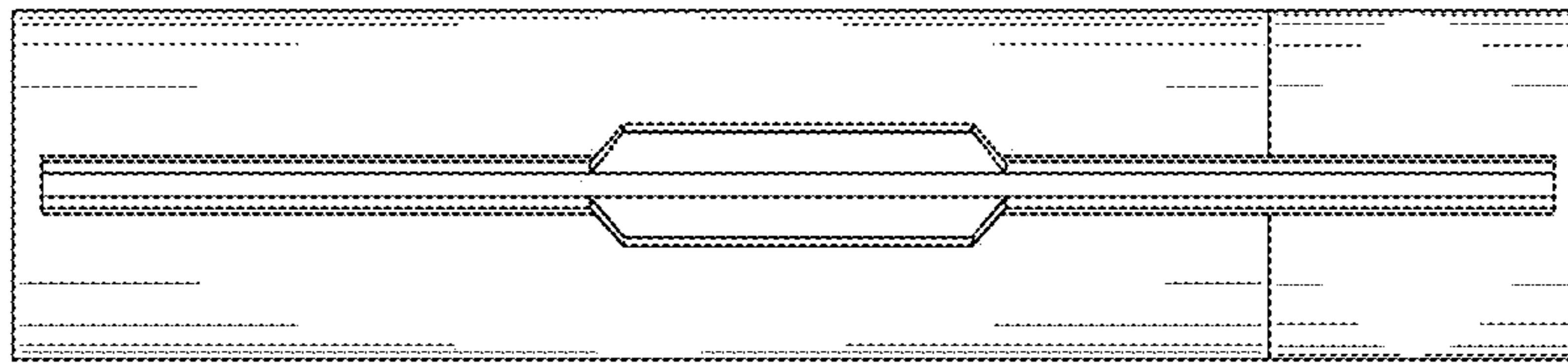


FIG. 3

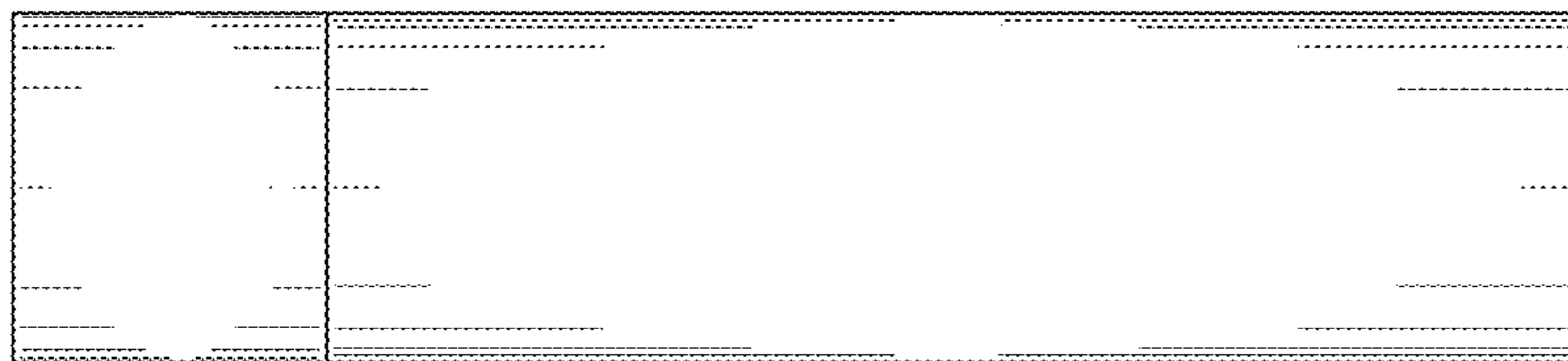


FIG. 4

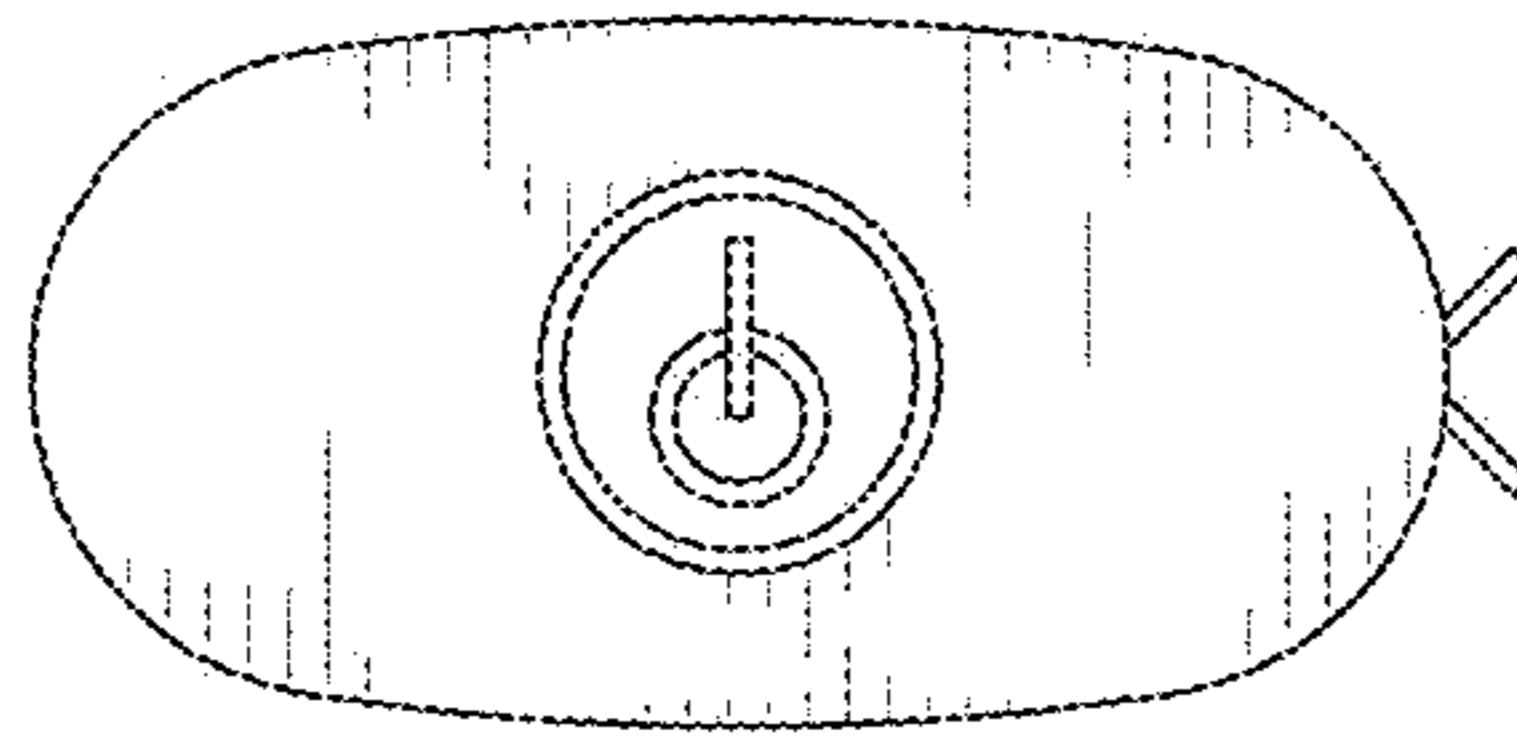


FIG. 5

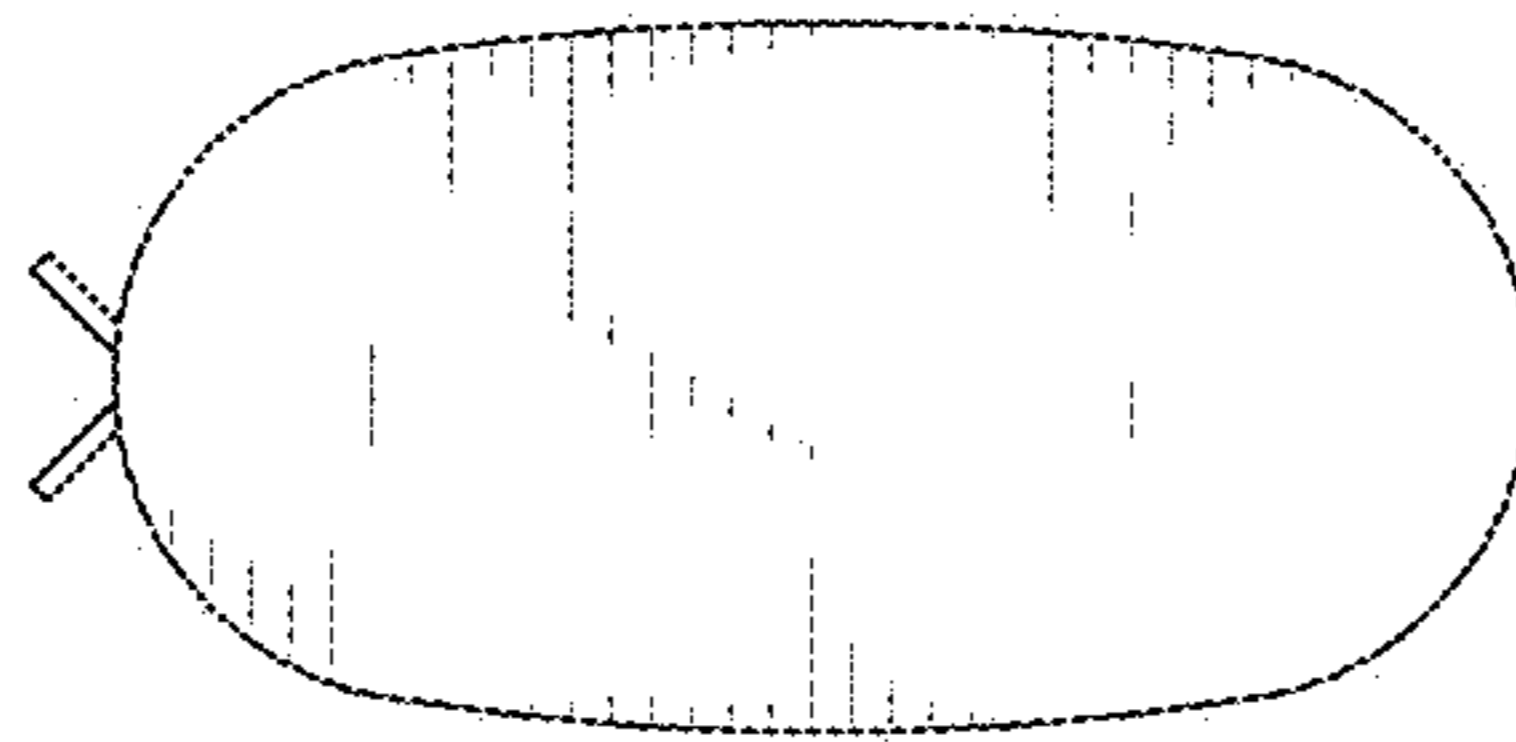


FIG. 6

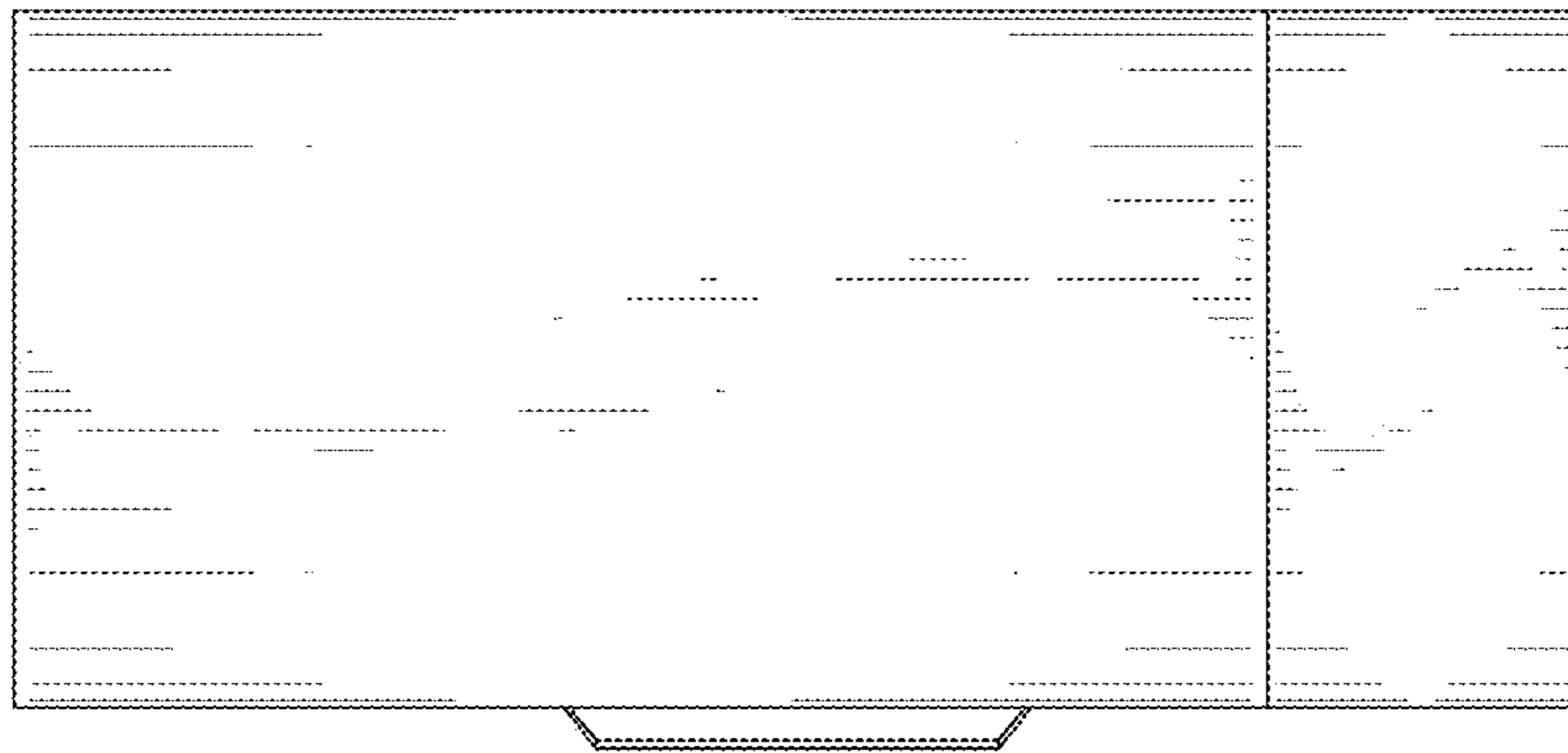


FIG. 7

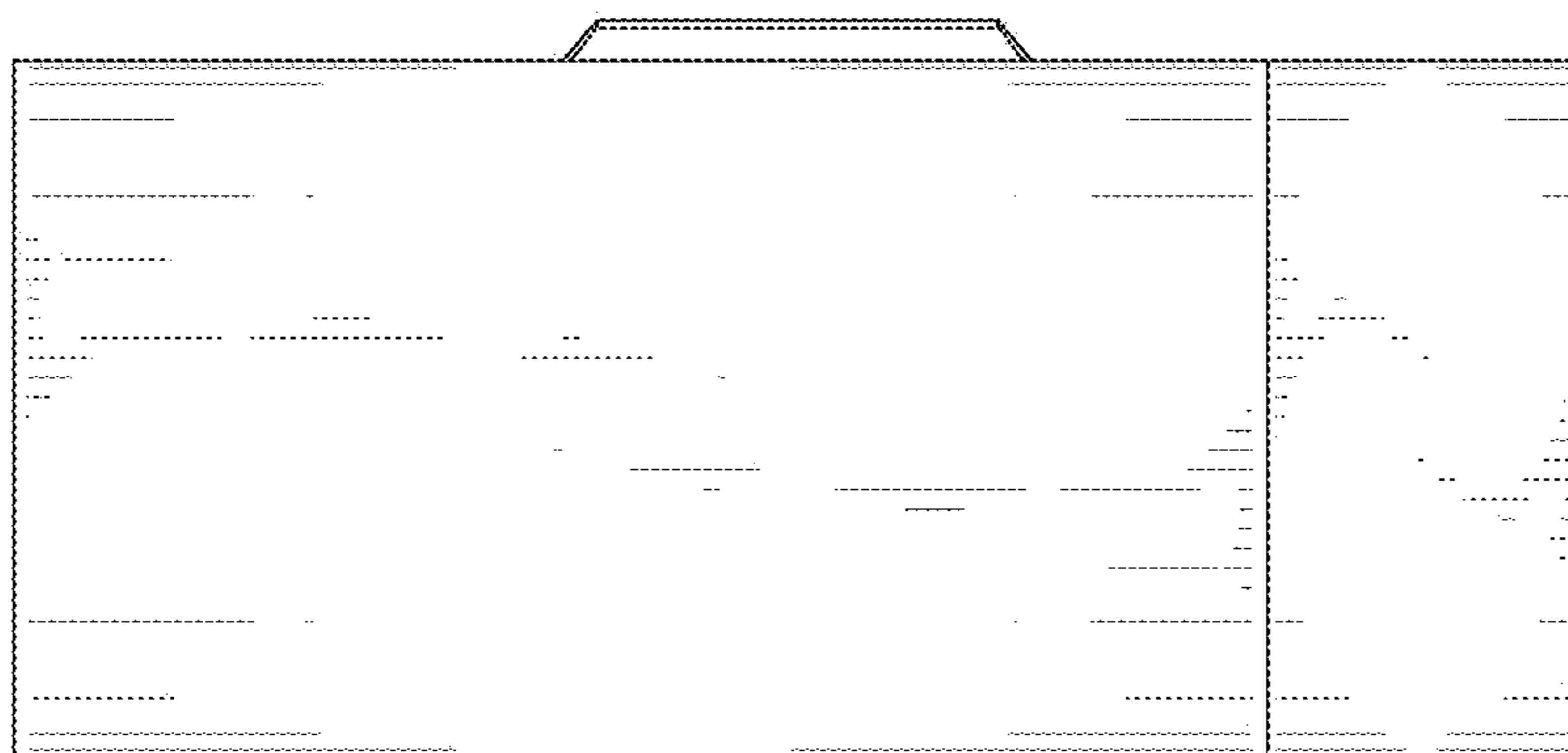


FIG. 8

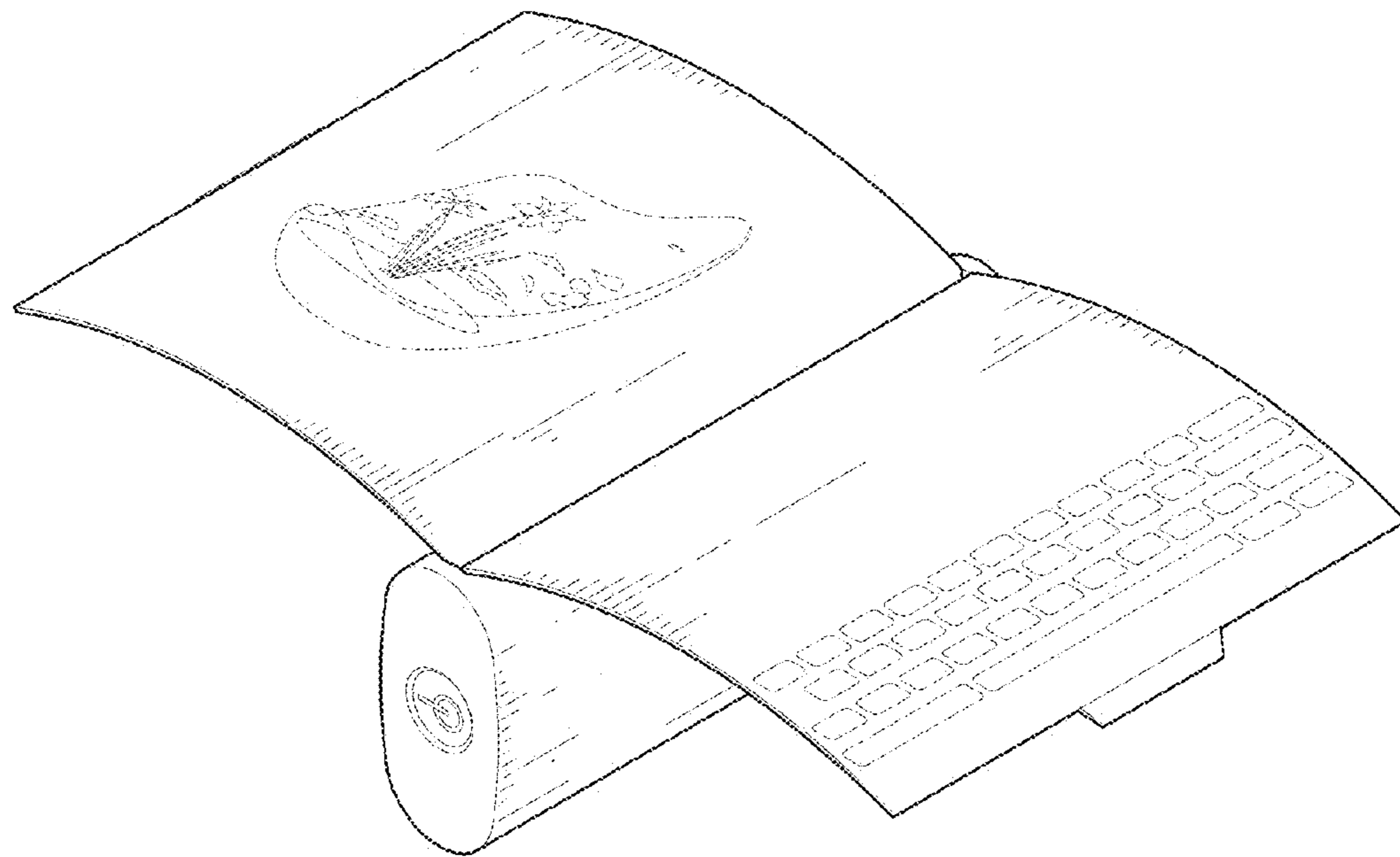


FIG. 9

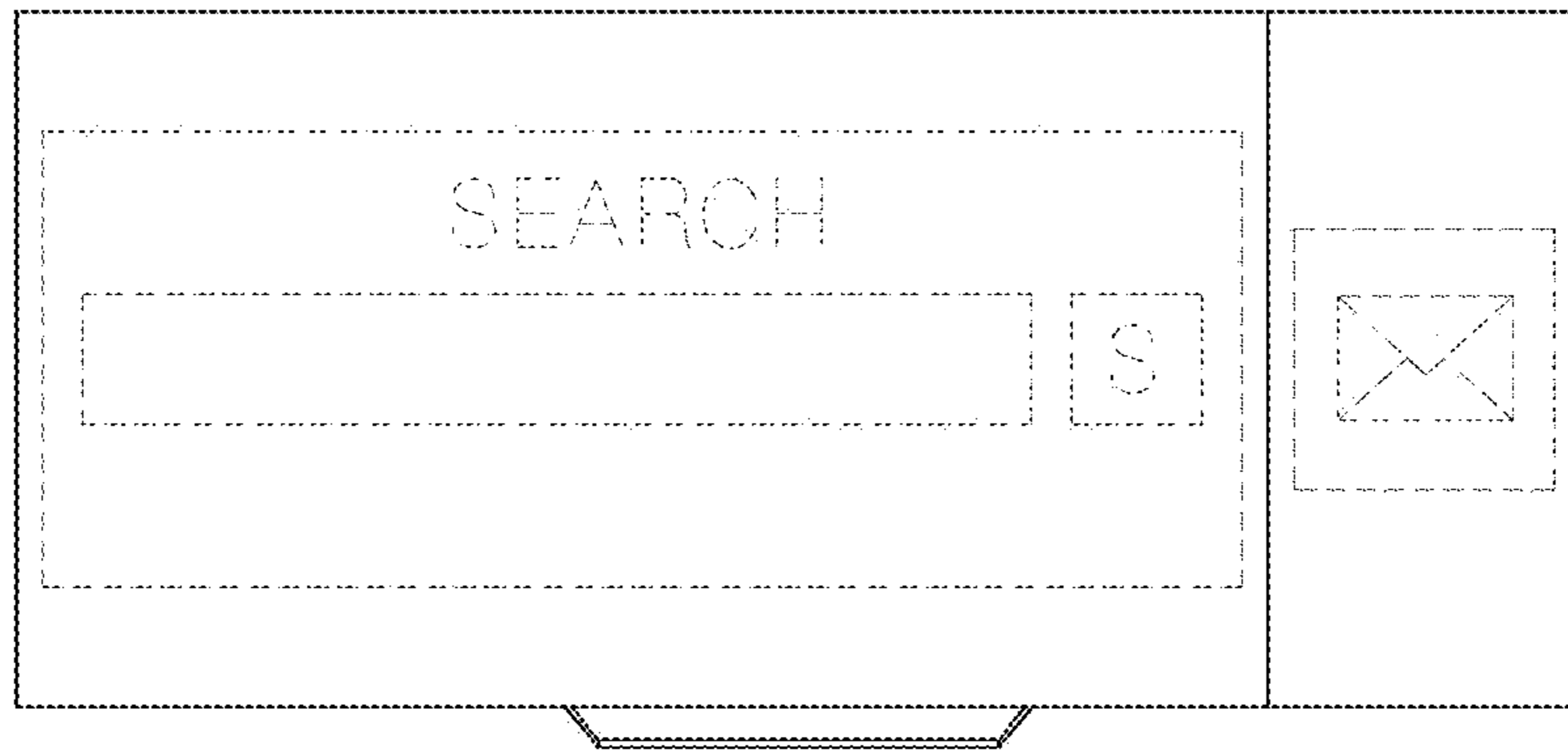


FIG. 10

