



US00D743959S

(12) **United States Design Patent**  
**Landwehr**

(10) **Patent No.:** **US D743,959 S**  
(45) **Date of Patent:** **\*\* Nov. 24, 2015**

(54) **TABLET COMPUTER**

- (71) Applicant: **Nokia Corporation**, Espoo (FI)
- (72) Inventor: **Boris Landwehr**, Thousand Oaks, CA (US)
- (73) Assignee: **MICROSOFT MOBILE OY**, Espoo (FI)
- (\*\*) Term: **14 Years**
- (21) Appl. No.: **29/464,957**
- (22) Filed: **Aug. 22, 2013**
- (51) **LOC (10) Cl.** ..... **14-02**
- (52) **U.S. Cl.**  
USPC ..... **D14/341**
- (58) **Field of Classification Search**  
USPC ..... D14/341-347, 137, 138 R, 138 AA, D14/138 AB, 138 C, 138 G, 496, 203.1, D14/203.3, 203.4, 203.7, 129, 130, 147, D14/248, 250, 374, 385, 388, 389, 315-318, D14/439, 126, 336, 339, 340; D10/104.1; D21/329; 455/556.1, 556.2, 566, 455/575.1, 90.3; 379/433.04, 433.01, 379/433.06; 345/173, 901, 905; 361/679.26, 679.27, 679.3, 679.55, 361/679.56, 680-686; D6/308, 310; 348/373, 376; 248/917-924  
CPC ..... A63H 33/3016; G06F 1/1613; H04M 1/0202; H04M 1/0279; H04M 1/0281; H04M 1/0283  
See application file for complete search history.

(56) **References Cited**

**U.S. PATENT DOCUMENTS**

- D504,889 S \* 5/2005 Andre et al. .... D14/341
  - D627,777 S \* 11/2010 Akana et al. .... D14/341
- (Continued)

**FOREIGN PATENT DOCUMENTS**

JP D1336350 7/2008

**OTHER PUBLICATIONS**

Office Action received in corresponding Taiwanese Application No. 103300076 issued on Jul. 28, 2014. 6 pages.  
(Continued)

*Primary Examiner* — Barbara Fox  
*Assistant Examiner* — Dana K Weiland  
(74) *Attorney, Agent, or Firm* — Banner & Witcoff, Ltd.  
(57) **CLAIM**

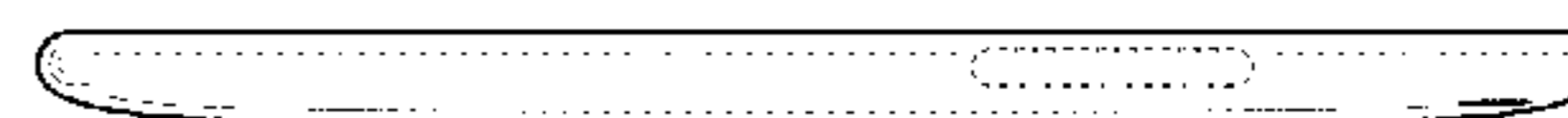
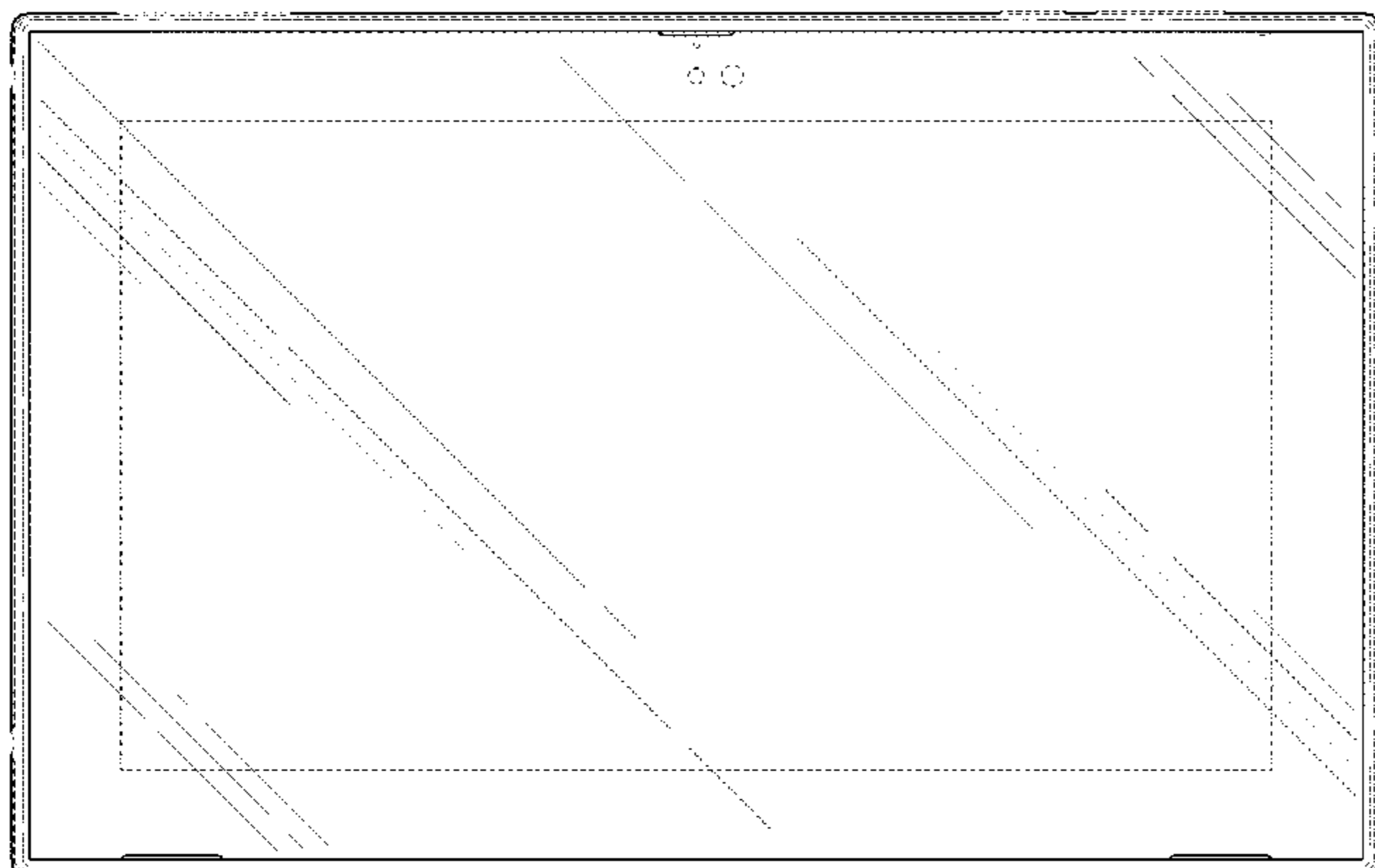
The ornamental design for a tablet computer, as shown and described.

**DESCRIPTION**

FIG. 1 is a perspective bottom left front view of a first embodiment of a tablet computer showing my new design; FIG. 2 is a front view thereof; FIG. 3 is a rear view thereof; FIG. 4 is a top view thereof; FIG. 5 is a bottom view thereof; FIG. 6 is a right side view thereof; FIG. 7 is a left side view thereof; FIG. 8 is a perspective top right front view of the first embodiment of the tablet computer showing my new design; FIG. 9 is a perspective top right rear view thereof; FIG. 10 is a perspective bottom left front view of a second embodiment of tablet computer showing my new design; FIG. 11 is a front view thereof; FIG. 12 is a rear view thereof; FIG. 13 is a top view thereof; FIG. 14 is a bottom view thereof; FIG. 15 is a right side view thereof; FIG. 16 is a left side view thereof; FIG. 17 is a perspective top right front view of the second tablet embodiment of computer showing my new design; and, FIG. 18 is a perspective top right rear view thereof.

The broken lines shown in the drawings represent portions of the tablet computer that form no part of the claimed design. The contrast shown in FIGS. 10, 11, 17 represents a contrast in appearance only and does not represent any particular color, material, texture, or finish.

**1 Claim, 14 Drawing Sheets**



(56)

References Cited

U.S. PATENT DOCUMENTS

D641,018 S \* 7/2011 Lee et al. .... D14/341  
D651,601 S \* 1/2012 Ichise ..... D14/341  
D654,893 S \* 2/2012 Jung ..... D14/138 G  
D656,917 S \* 4/2012 Tom et al. .... D14/138 G  
D658,620 S \* 5/2012 Lylyk ..... D14/138 G  
D665,764 S \* 8/2012 Shi et al. .... D14/138 G  
D665,766 S \* 8/2012 Eguchi ..... D14/138 G  
D667,396 S \* 9/2012 Koh ..... D14/341  
D667,399 S \* 9/2012 Koh ..... D14/341  
D667,400 S \* 9/2012 Van Den Nieuwenhuizen  
et al. .... D14/341  
D667,825 S \* 9/2012 Jung ..... D14/341  
D668,629 S \* 10/2012 Chung ..... D14/138 G  
D668,650 S \* 10/2012 Han ..... D14/341  
D668,652 S \* 10/2012 Kim et al. .... D14/341  
D671,514 S \* 11/2012 Kim et al. .... D14/138 G  
D672,738 S \* 12/2012 Lau et al. .... D14/138 G  
D680,513 S \* 4/2013 Lu et al. .... D14/138 G  
D680,524 S \* 4/2013 Feng et al. .... D14/341  
D681,583 S \* 5/2013 Park ..... D14/138 G  
D684,553 S \* 6/2013 Kim et al. .... D14/138 G  
D686,176 S \* 7/2013 Kim ..... D14/138 G  
D687,820 S \* 8/2013 Kim ..... D14/341  
D689,840 S \* 9/2013 Lu ..... D14/138 G  
D690,297 S \* 9/2013 Chang et al. .... D14/341  
D691,104 S \* 10/2013 Park ..... D14/138 G  
D692,423 S \* 10/2013 Kim et al. .... D14/341  
D694,211 S \* 11/2013 Yuu et al. .... D14/138 G  
D695,249 S \* 12/2013 Kim et al. .... D14/138 G  
D695,250 S \* 12/2013 Kim et al. .... D14/138 G  
D701,202 S \* 3/2014 Choi ..... D14/341  
D702,228 S \* 4/2014 Park ..... D14/341  
D702,229 S \* 4/2014 Lim et al. .... D14/341  
D702,232 S \* 4/2014 Choi ..... D14/341  
D706,774 S \* 6/2014 Park et al. .... D14/341  
D706,775 S \* 6/2014 Akana et al. .... D14/341  
D711,335 S \* 8/2014 Kim ..... D14/138 G  
D712,400 S \* 9/2014 Kim et al. .... D14/341  
D712,899 S \* 9/2014 Park et al. .... D14/341  
D713,367 S \* 9/2014 Kim et al. .... D14/138 G  
D714,782 S \* 10/2014 Ohshima ..... D14/341  
D716,248 S \* 10/2014 Hill et al. .... D14/138 G  
D716,250 S \* 10/2014 Becker et al. .... D14/138 G  
D716,746 S \* 11/2014 Du et al. .... D14/138 G  
D716,747 S \* 11/2014 Kleiner et al. .... D14/138 G  
D716,799 S \* 11/2014 Green et al. .... D14/341  
D717,266 S \* 11/2014 Chung et al. .... D14/138 G

D718,768 S \* 12/2014 Page ..... D14/440  
D724,579 S \* 3/2015 Moradian ..... D14/341  
D726,716 S \* 4/2015 Green et al. .... D14/341  
D727,315 S \* 4/2015 Jensen et al. .... D14/341  
D729,233 S \* 5/2015 Lee et al. .... D14/341  
D731,476 S \* 6/2015 Lee et al. .... D14/316  
2014/0291175 A1 \* 10/2014 Chung et al. .... 206/45.23

OTHER PUBLICATIONS

Nokia Lumia 900 AT&T telephone, announced Jan. 2012, [online], [retrieved Oct. 3, 2013]. Available from Internet, <URL: [http://www.gsmarena.com/nokia\\_lumia\\_900\\_at&t-4275.php](http://www.gsmarena.com/nokia_lumia_900_at&t-4275.php)>.  
Co-pending Design U.S. Appl. No. 29/461,872, filed Aug. 20, 2013.  
Co-pending Design U.S. Appl. No. 29/461,353, filed Jul. 22, 2013.  
Co-pending Design U.S. Appl. No. 29/464,020, filed Aug. 12, 2013.  
Nokia Lumia 900 telephone, announced Feb. 2012, [online], [retrieved Oct. 3, 2013]. Available from Internet, <URL: [http://www.gsmarena.com/nokia\\_lumia\\_900-4578.php](http://www.gsmarena.com/nokia_lumia_900-4578.php)>.  
Nokia Lumia 620 telephone, announced Dec. 2012, [online], [retrieved Oct. 3, 2013]. Available from Internet, <URL: [http://www.gsmarena.com/nokia\\_lumia\\_620-5147.php](http://www.gsmarena.com/nokia_lumia_620-5147.php)>.  
Nokia Lumia 510 telephone, announced Nov. 2012, [online], [retrieved Oct. 3, 2013]. Available from Internet, <URL: [http://www.gsmarena.com/nokia\\_lumia\\_510-5069.php](http://www.gsmarena.com/nokia_lumia_510-5069.php)>.  
Nokia Lumia 1020 telephone, announced Jul. 2013, [online], [retrieved Oct. 3, 2013]. Available from Internet, <URL: [http://www.gsmarena.com/nokia\\_lumia\\_1020-5506.php](http://www.gsmarena.com/nokia_lumia_1020-5506.php)>.  
Nokia Lumia 928 telephone, announced Apr. 2013, [online], [retrieved Oct. 3, 2013]. Available from Internet, <URL: [http://www.gsmarena.com/nokia\\_lumia\\_928-5437.php](http://www.gsmarena.com/nokia_lumia_928-5437.php)>.  
Nokia Lumia 720 telephone, announced Feb. 2013, [online], [retrieved Oct. 3, 2013]. Available from Internet, <URL: [http://www.gsmarena.com/nokia\\_lumia\\_720-5321.php](http://www.gsmarena.com/nokia_lumia_720-5321.php)>.  
Nokia Lumia 925 telephone, announced May 2013, [online], [retrieved Oct. 3, 2013]. Available from Internet, <URL: [http://www.gsmarena.com/nokia\\_lumia\\_925-5451.php](http://www.gsmarena.com/nokia_lumia_925-5451.php)>.  
Nokia Lumia 820 telephone, announced Sep. 2012, [online], [retrieved Oct. 3, 2013]. Available from Internet, <URL: [http://www.gsmarena.com/nokia\\_lumia\\_820-4968.php](http://www.gsmarena.com/nokia_lumia_820-4968.php)>.  
Nokia Lumia 520 telephone, announced Feb. 2013, [online], [retrieved Oct. 3, 2013]. Available from Internet, <URL: [http://www.gsmarena.com/nokia\\_lumia\\_520-5322.php](http://www.gsmarena.com/nokia_lumia_520-5322.php)>.  
Nokia Lumia 625 telephone, announced Jul. 2013, [online], [retrieved Oct. 3, 2013]. Available from Internet, <URL: [http://www.gsmarena.com/nokia\\_lumia\\_625-5438.php](http://www.gsmarena.com/nokia_lumia_625-5438.php)>.

\* cited by examiner

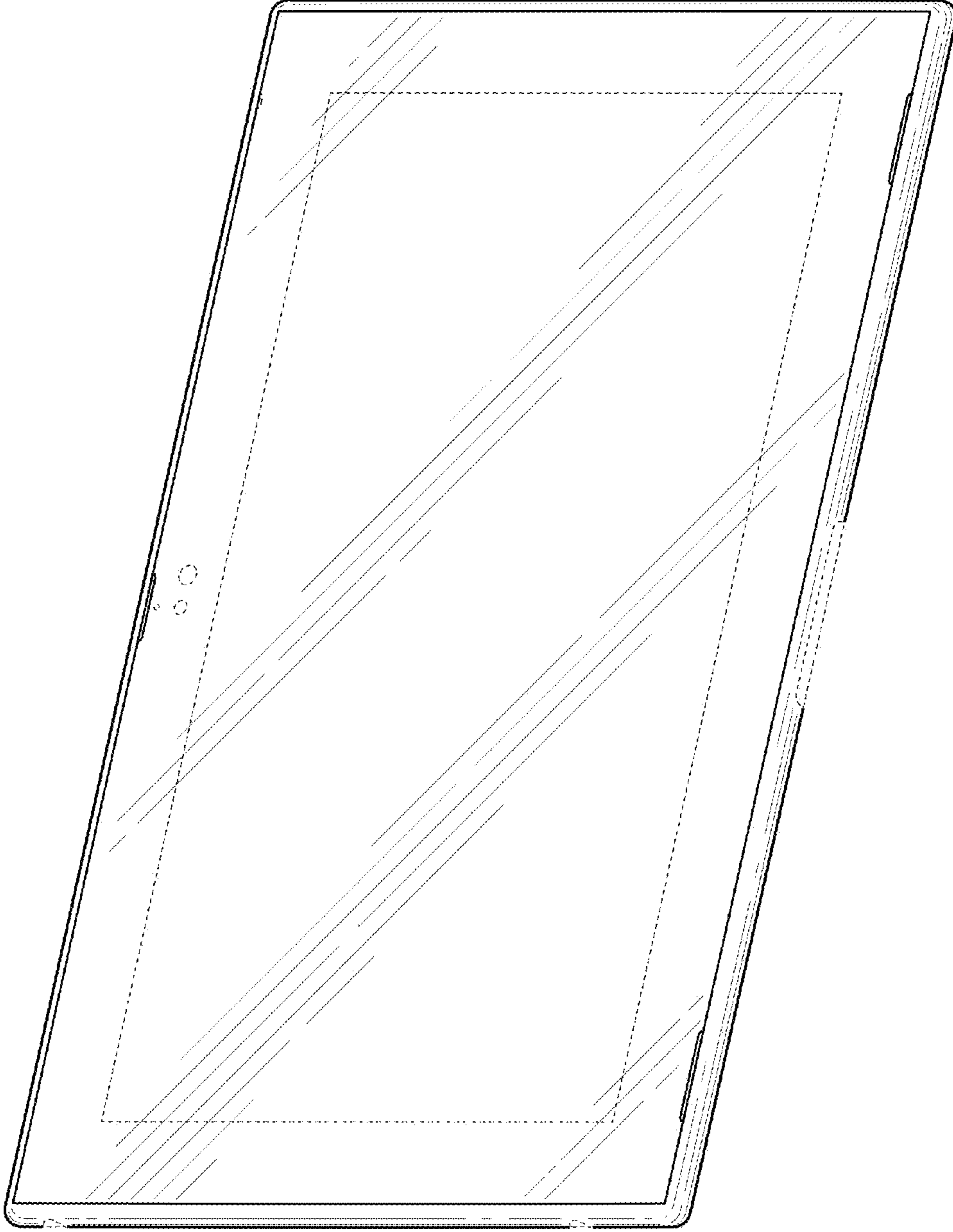


FIG. 1

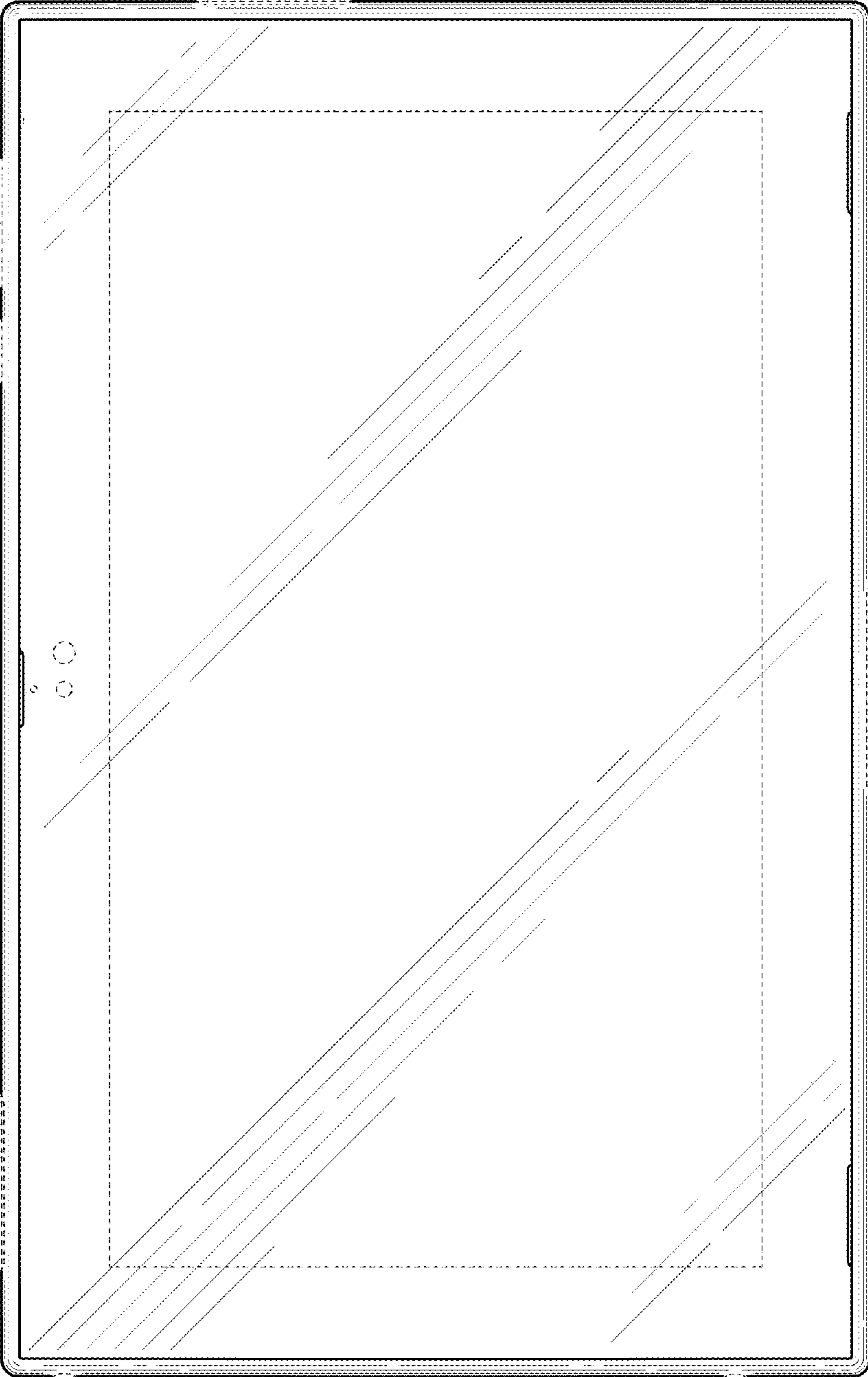


FIG. 2

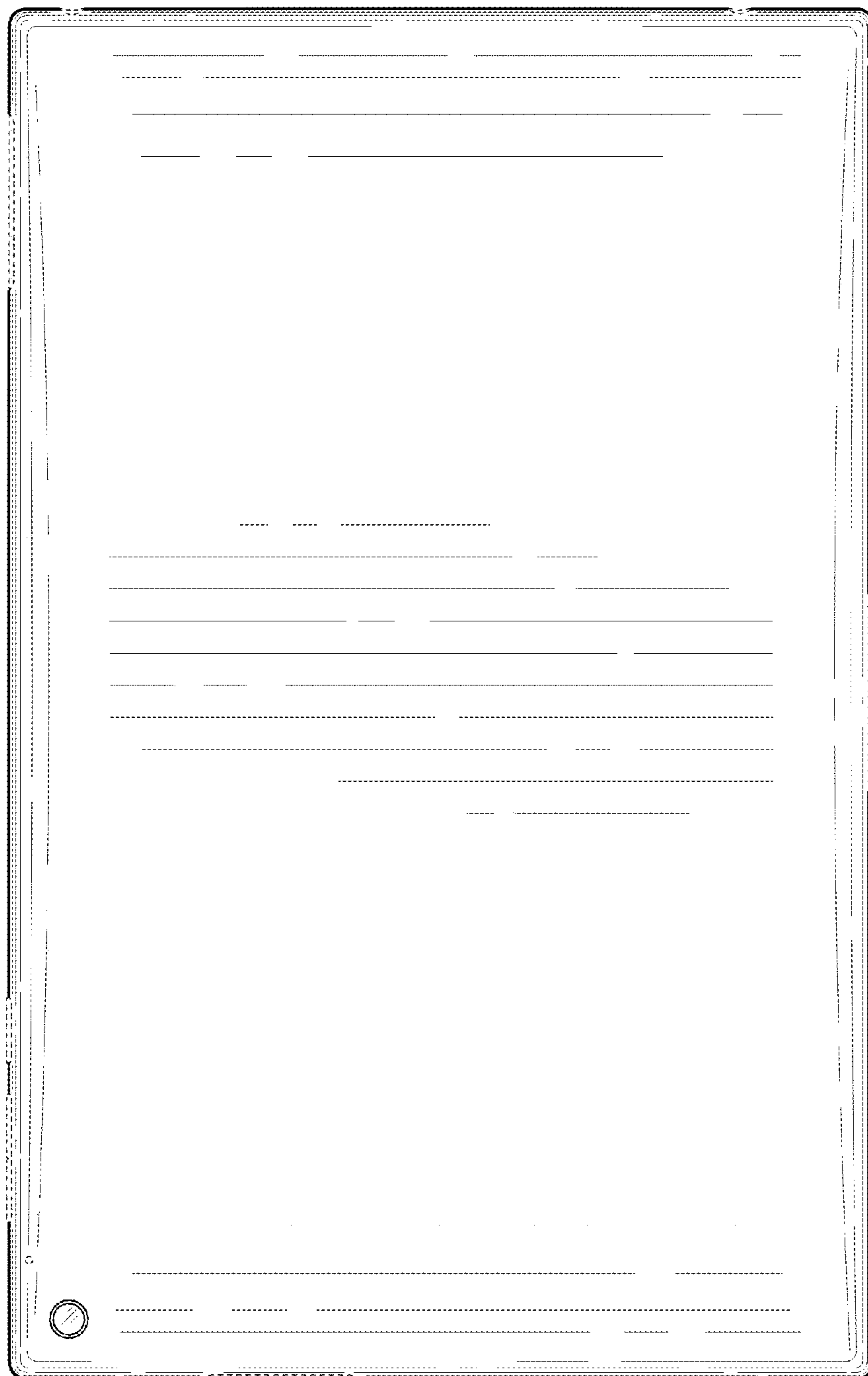


FIG. 3

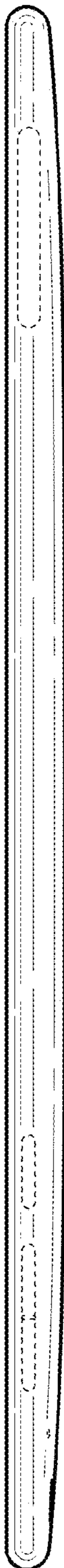


FIG. 4

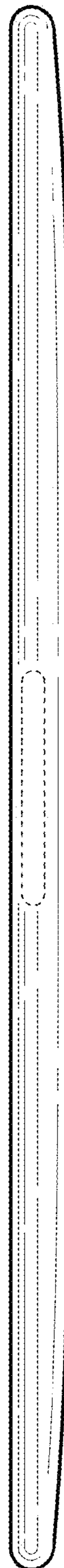


FIG. 5

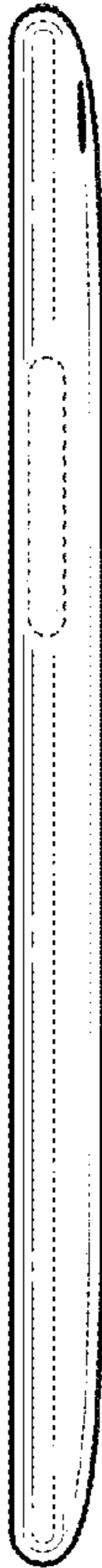


FIG. 6

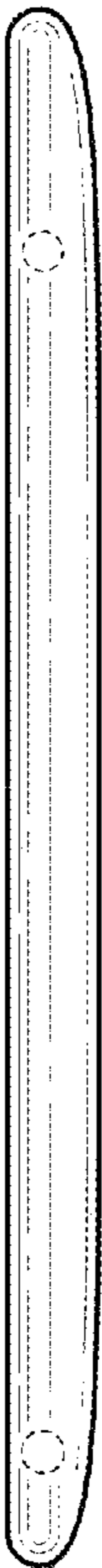


FIG. 7

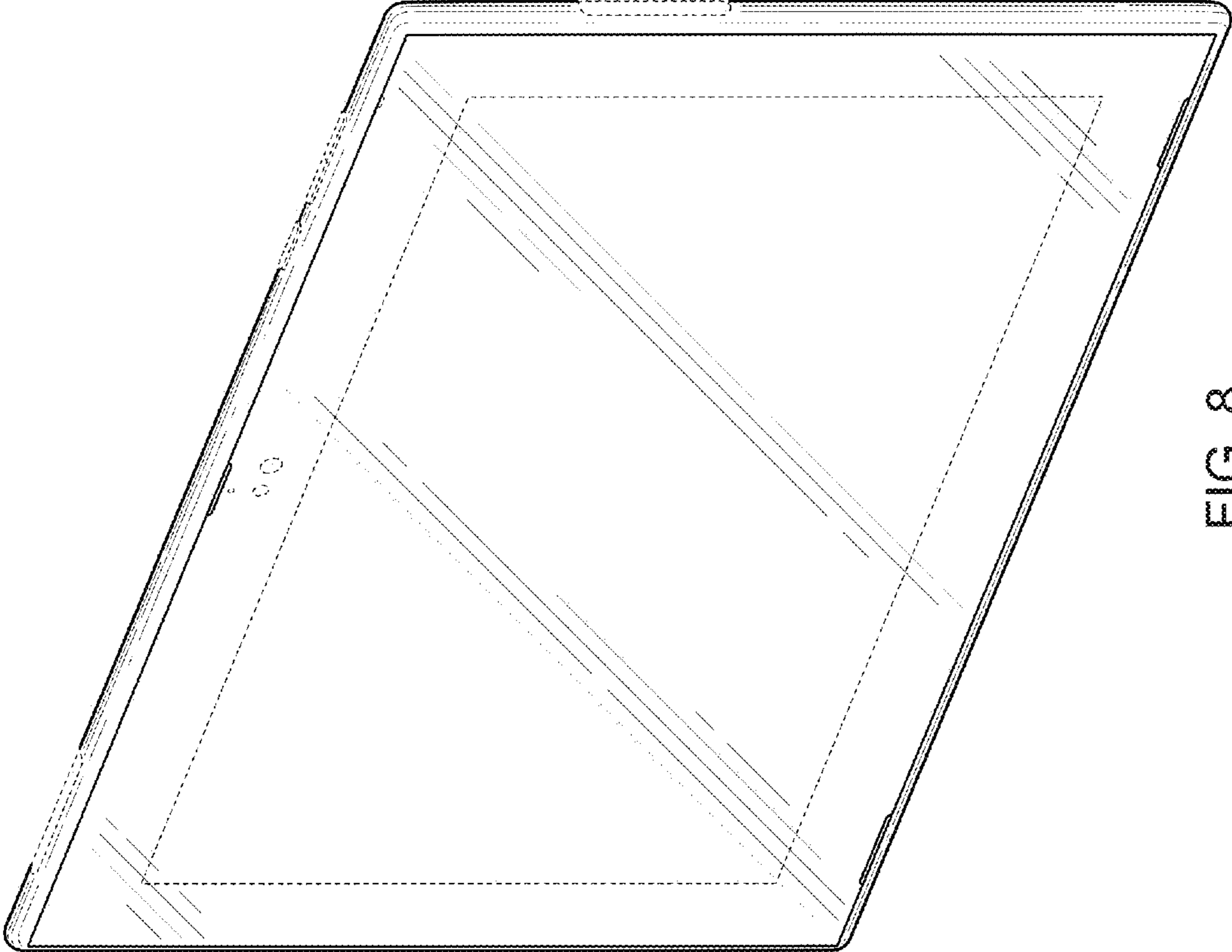


FIG. 8



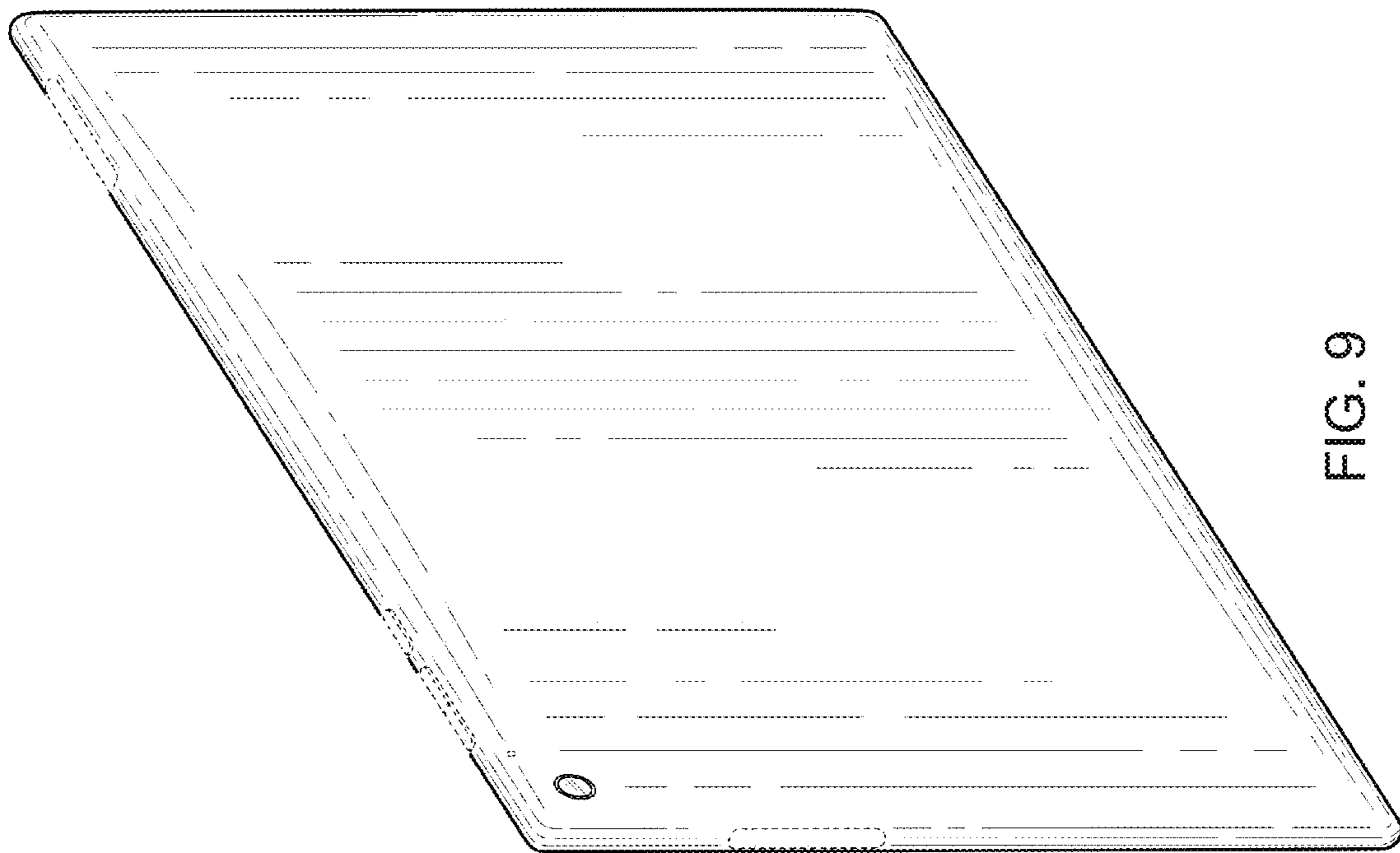


FIG. 9

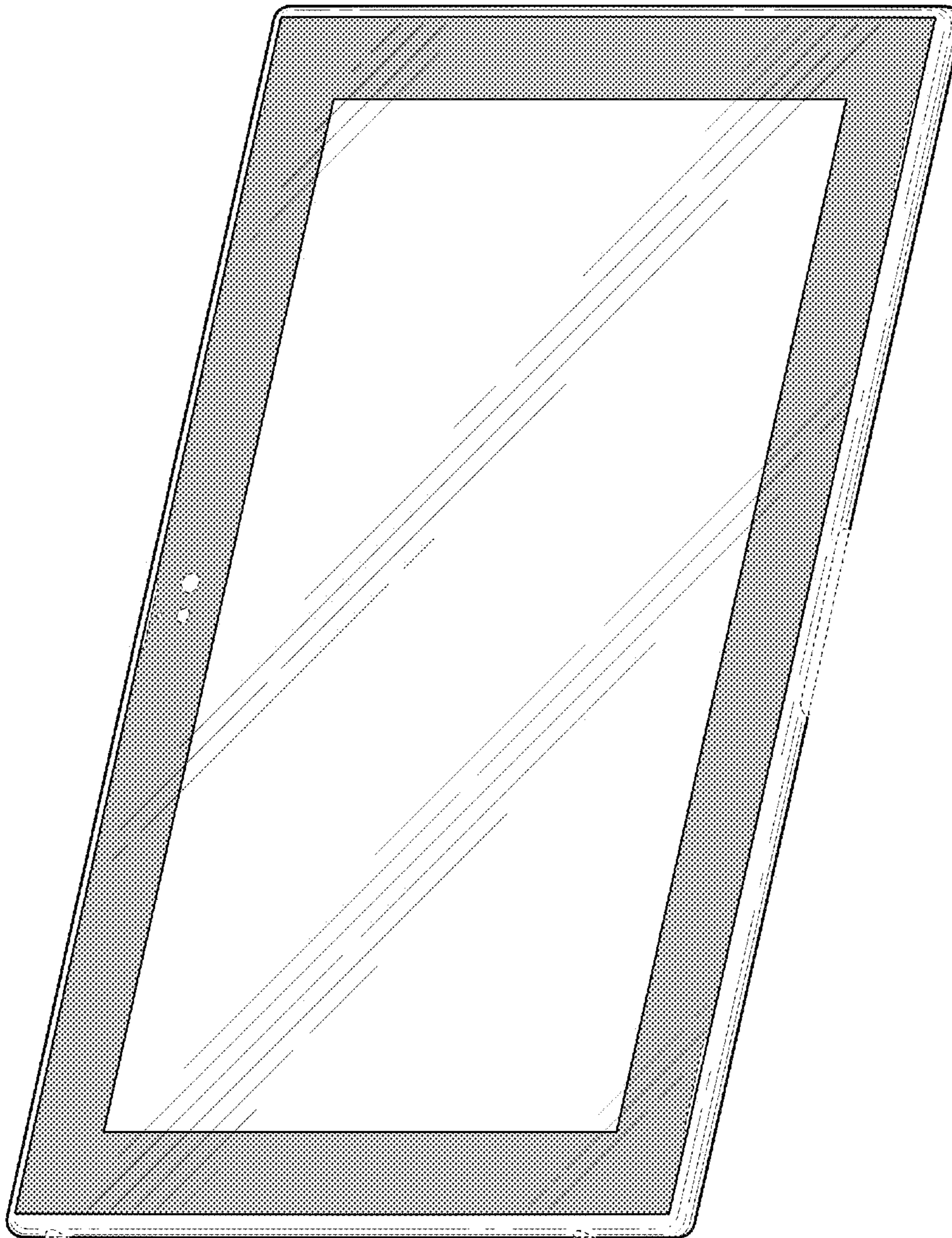


FIG. 10

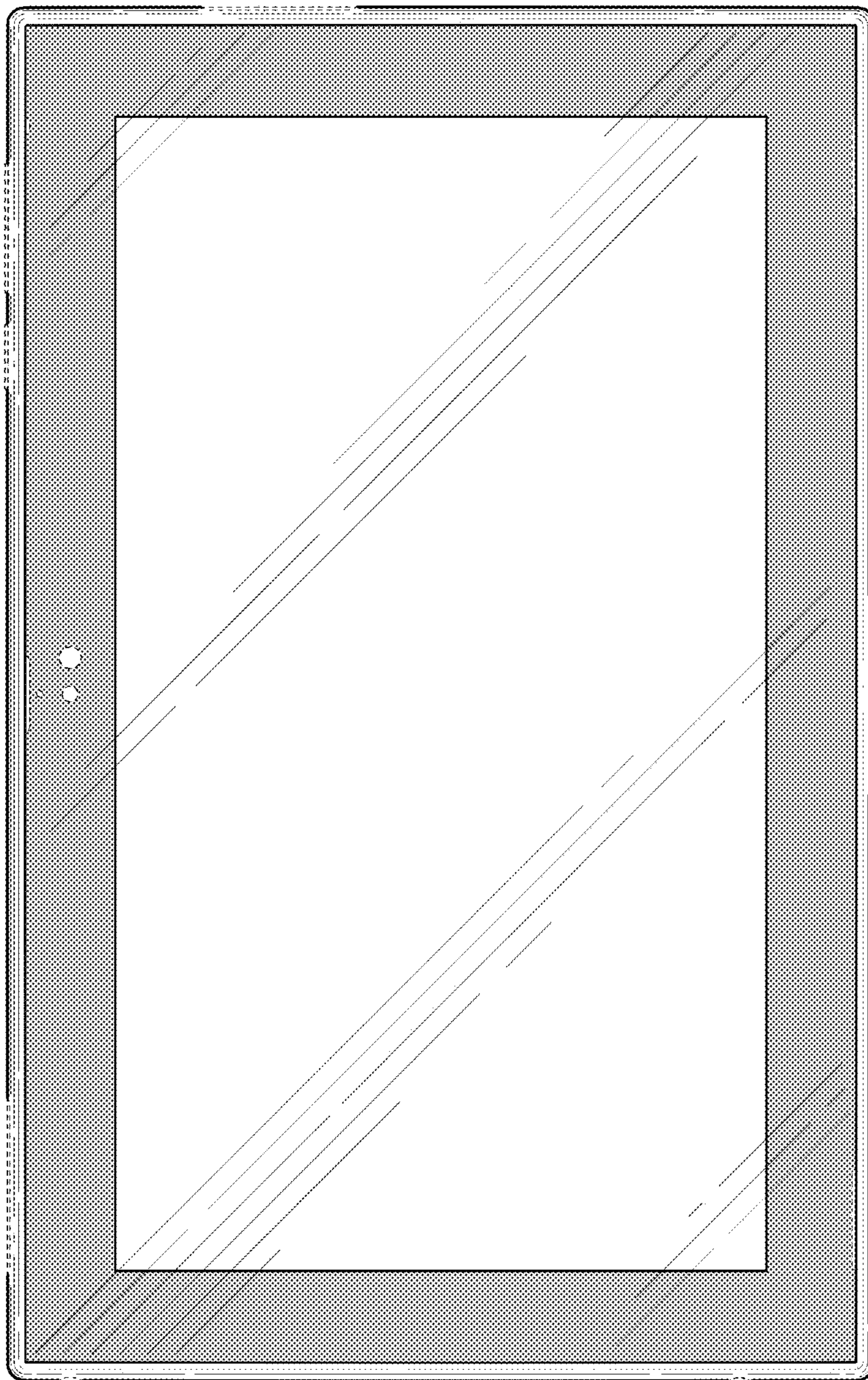


FIG. 11

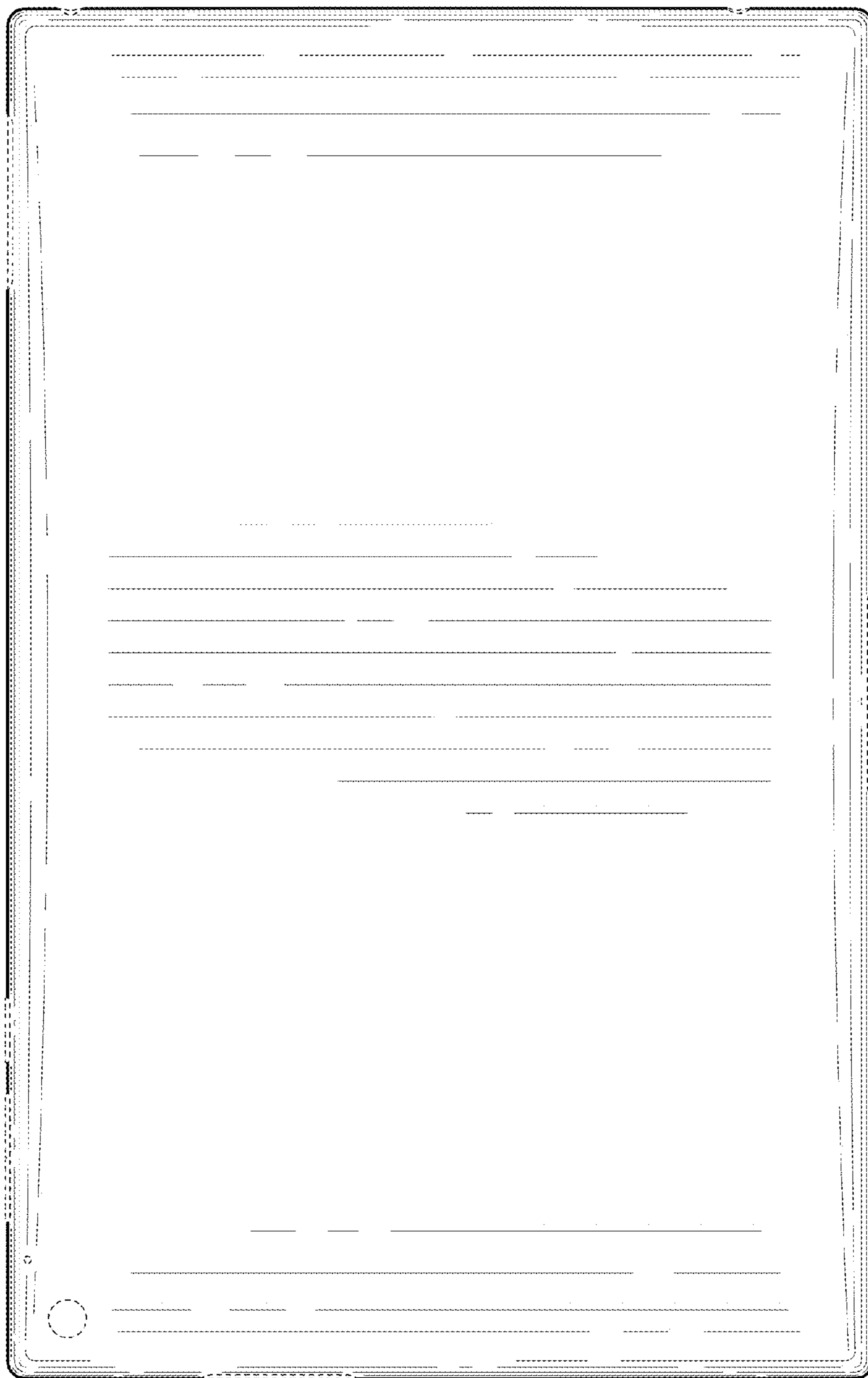


FIG. 12

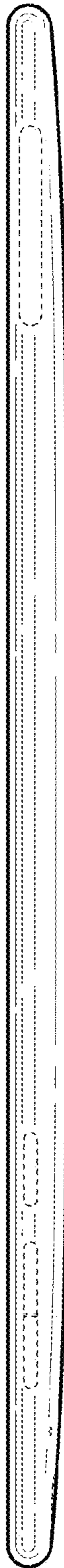


FIG. 13

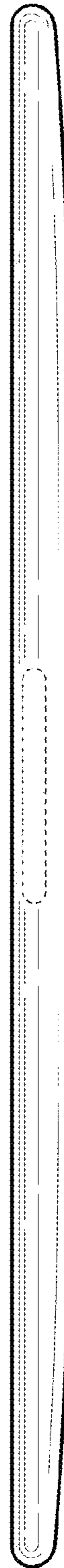


FIG. 14

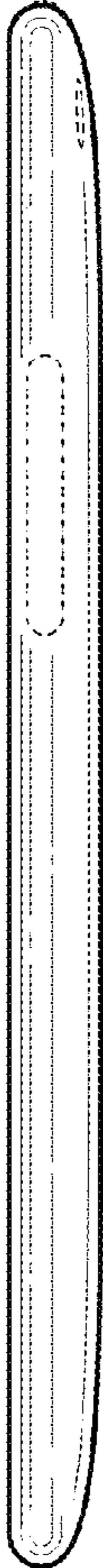


FIG. 15

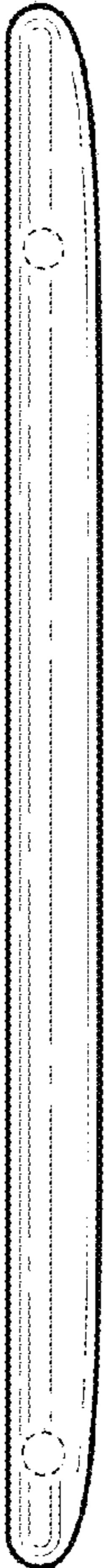


FIG. 16

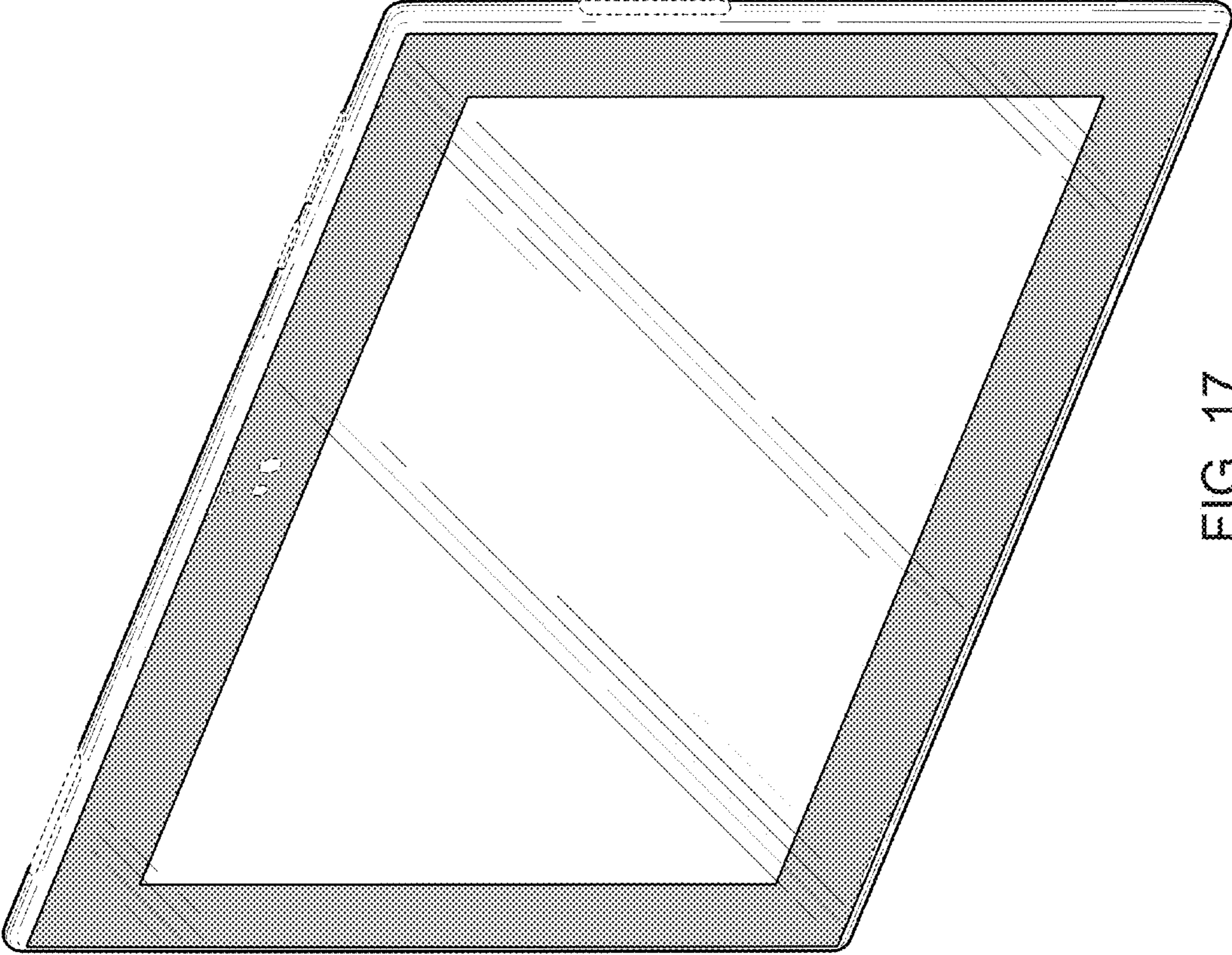


FIG. 17

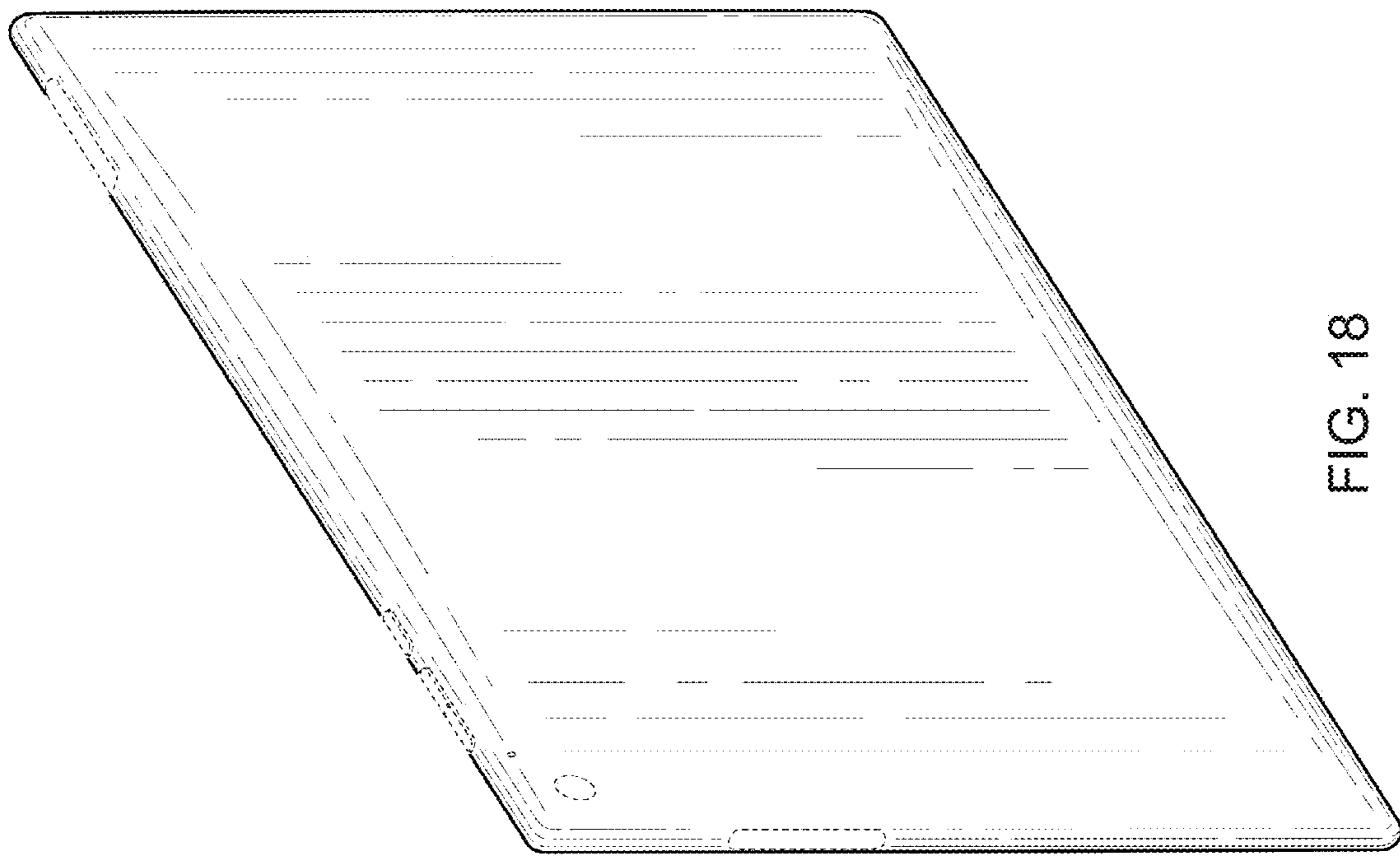


FIG. 18