



US00D743953S

(12) **United States Design Patent**
Ann et al.

(10) **Patent No.:** **US D743,953 S**
(45) **Date of Patent:** **** Nov. 24, 2015**

(54) **STAND FOR TELEVISION**

(56) **References Cited**

(71) Applicant: **Samsung Electronics Co., Ltd.**,
Suwon-si, Gyeonggi-do (KR)
(72) Inventors: **Sung Jin Ann**, Seoul (KR); **Jung Geun Ahn**, Seoul (KR)
(73) Assignee: **Samsung Electronics Co., Ltd.**,
Suwon-si (KR)
(**) Term: **14 Years**
(21) Appl. No.: **29/518,448**
(22) Filed: **Feb. 24, 2015**
(30) **Foreign Application Priority Data**

U.S. PATENT DOCUMENTS

D626,924	S	*	11/2010	Miyaji	D14/126
D648,296	S	*	11/2011	Lee et al.	D14/126
D671,084	S	*	11/2012	Kim et al.	D14/126
D680,979	S	*	4/2013	Chen	D14/126
D682,232	S	*	5/2013	Lee et al.	D14/126
D686,585	S	*	7/2013	Yoon et al.	D14/126
D691,977	S	*	10/2013	Lee et al.	D14/126
D698,745	S	*	2/2014	Jung et al.	D14/126
D699,232	S	*	2/2014	Jung et al.	D14/239
D701,844	S	*	4/2014	Han	D14/126
D702,199	S	*	4/2014	Park et al.	D14/126

* cited by examiner

Primary Examiner — Randall Gholson

(74) *Attorney, Agent, or Firm* — Ladas & Parry

(57) **CLAIM**

We claim the ornamental design for stand for television, as shown and described.

DESCRIPTION

FIG. 1 is the front perspective view of stand for television showing our new design;
FIG. 2 is the front view thereof;
FIG. 3 is the rear view thereof;
FIG. 4 is the left-side view thereof;
FIG. 5 is the right-side view thereof;
FIG. 6 is the top plan view thereof;
FIG. 7 is the bottom plan view thereof;
FIG. 8 is the rear perspective view thereof; and,
FIG. 9 is the front perspective view thereof in an example environment.

The broken lines illustrating portions of the television are for environmental purposes only and form no part of the claimed design.

Aug. 26, 2014 (KR) 30-2014-0041617

(51) **LOC (10) Cl.** **14-03**

(52) **U.S. Cl.**
USPC **D14/239**

(58) **Field of Classification Search**
USPC D14/239, 211, 238, 251, 253, 371–382,
D14/125–129, 336, 337, 447, 448, 451, 452,
D14/492, 450; 341/12; 345/104, 156, 168,
345/173; 348/180, 184, 325, 739; 349/1, 2,
349/11, 62; 361/679.05–679.07, 679.21;
D6/300, 310–313, 308, 708
CPC H04N 1/00; H04N 7/00; H05K 5/00;
H05K 5/02

See application file for complete search history.

1 Claim, 9 Drawing Sheets

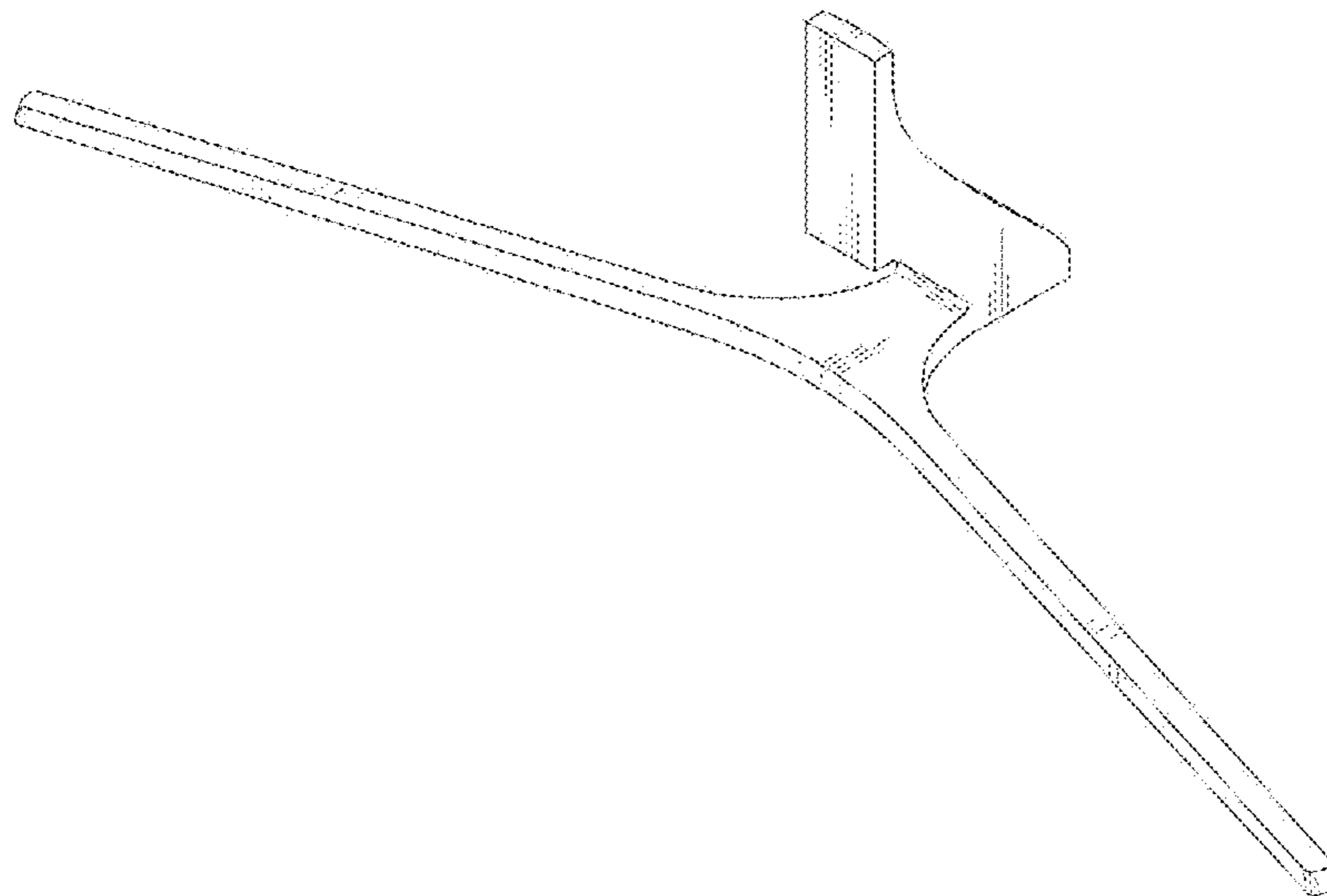


Fig. 1

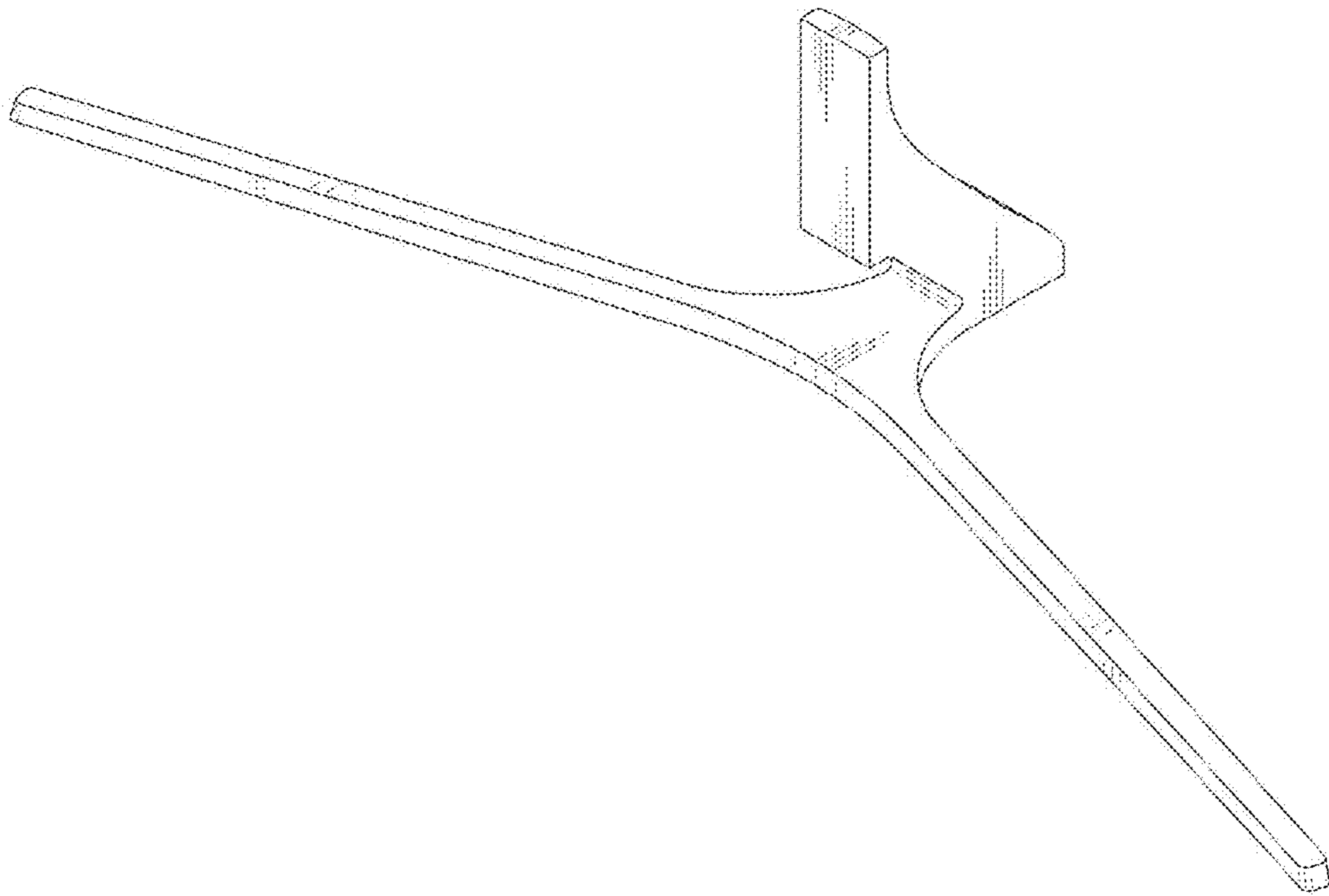


Fig. 2

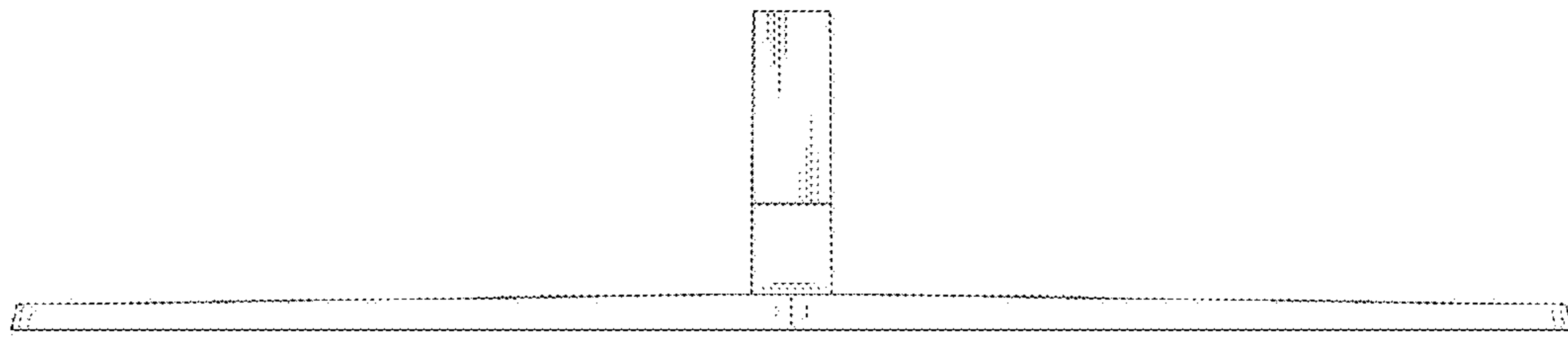


Fig. 3

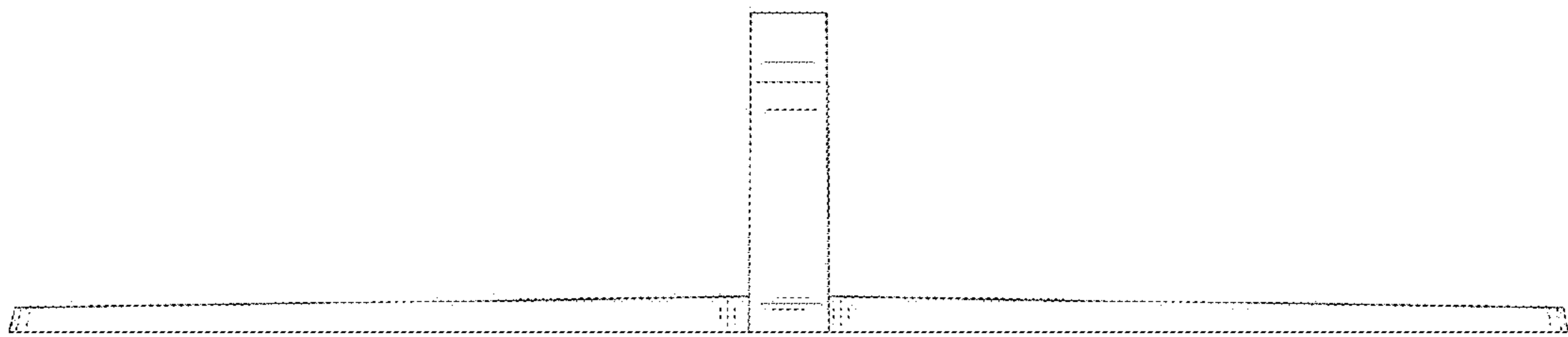


Fig. 4

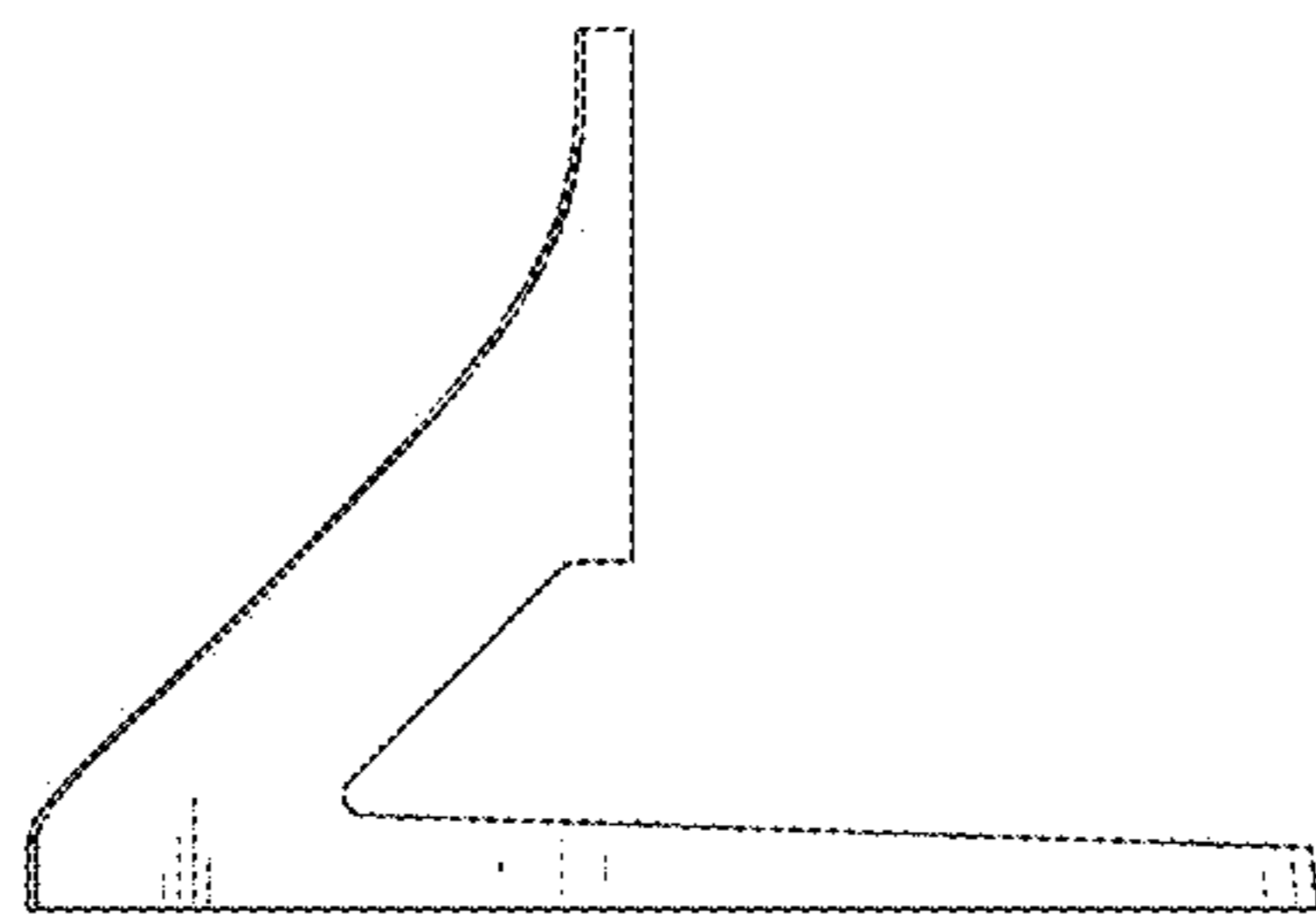


Fig. 5

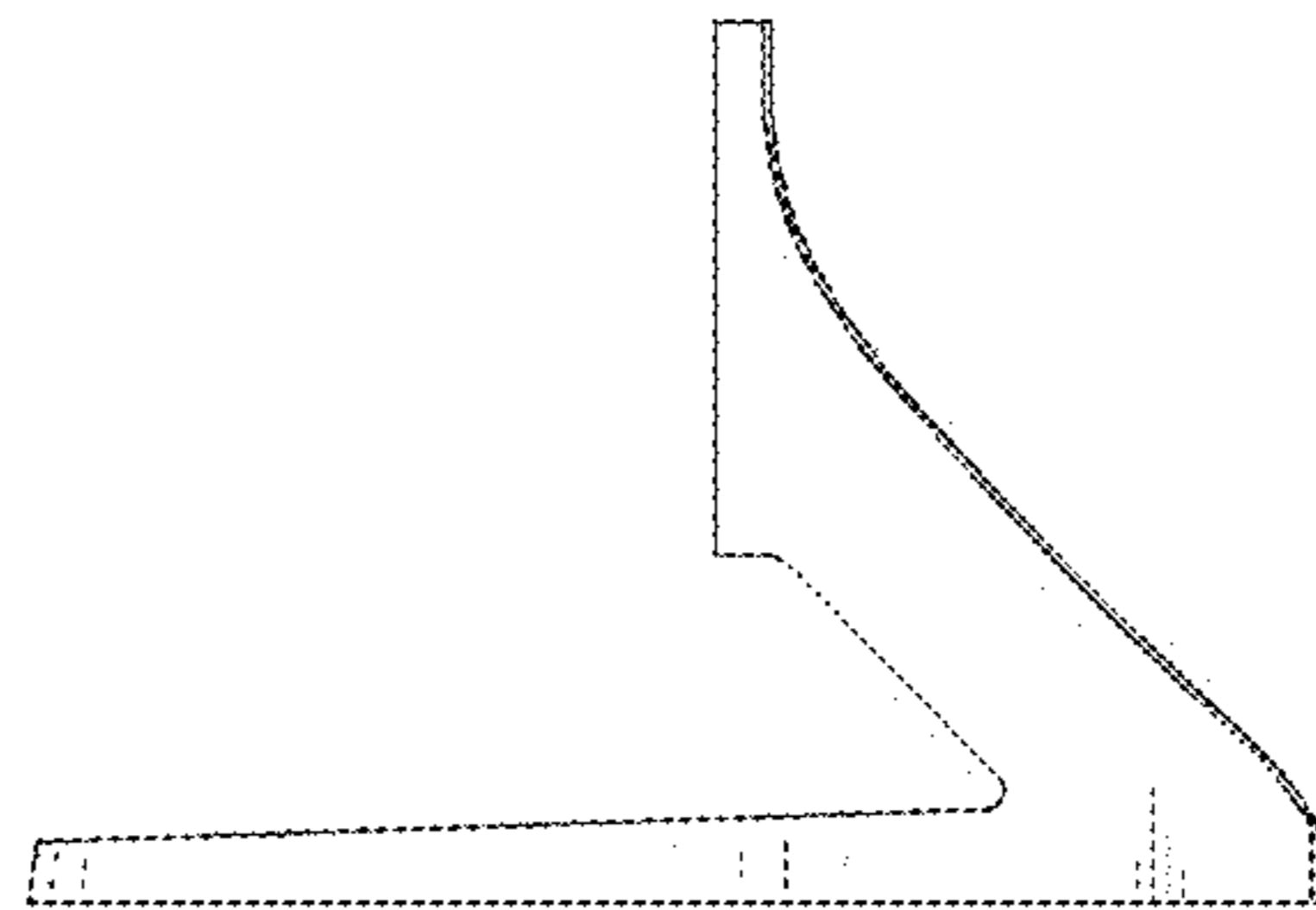


Fig. 6

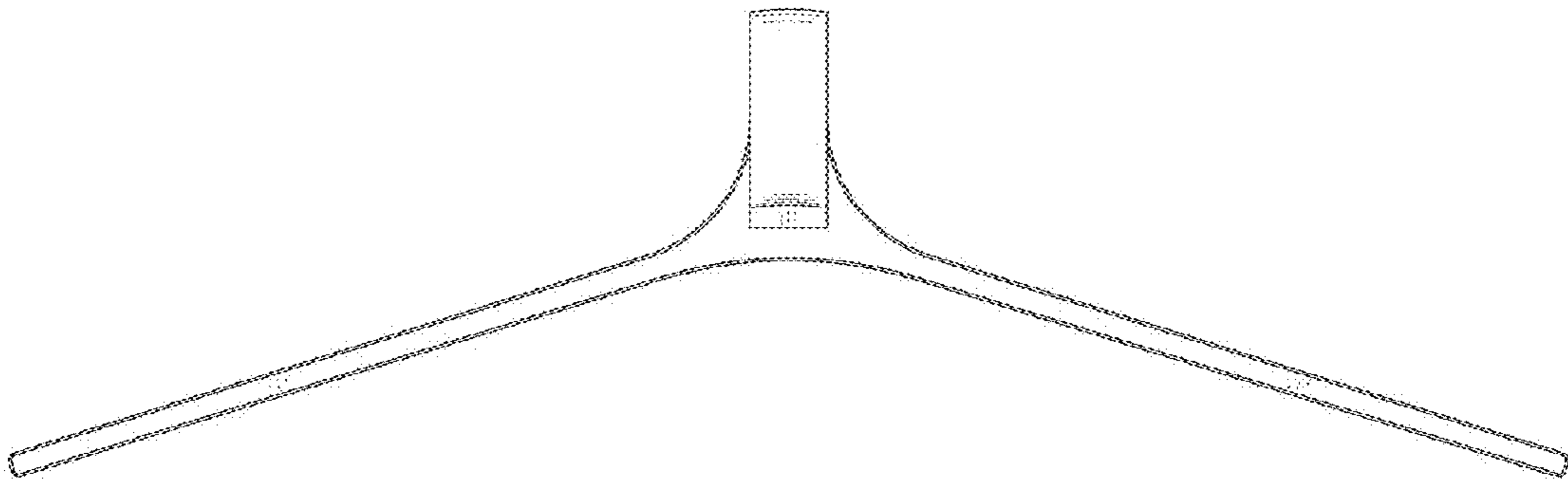


Fig. 7

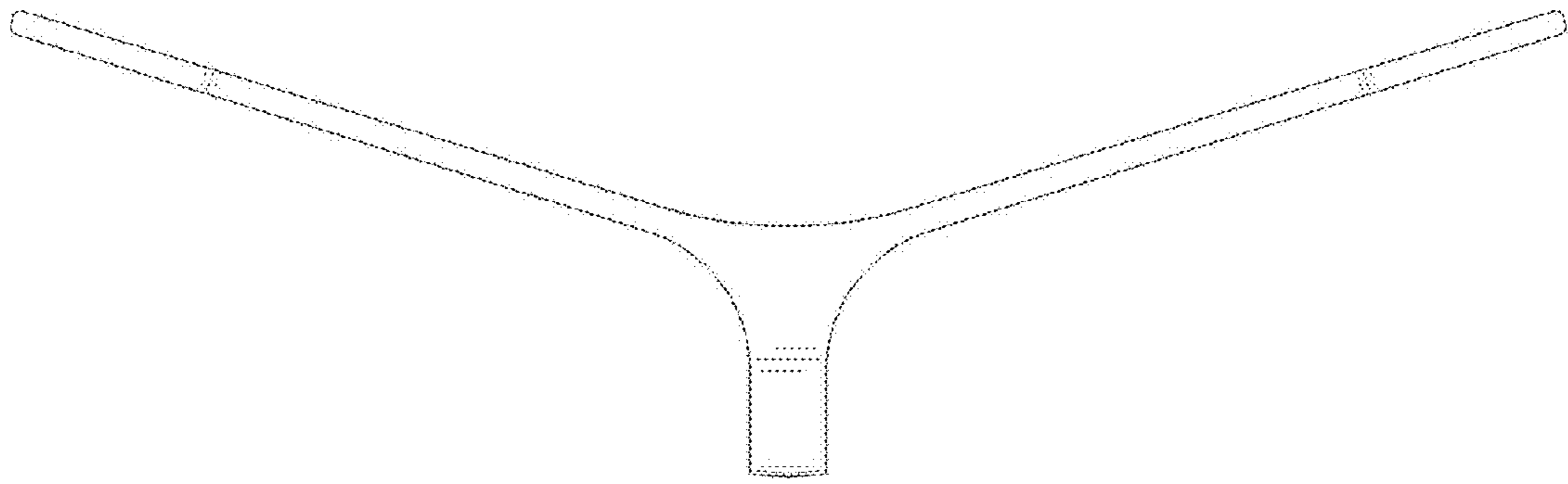


Fig. 8

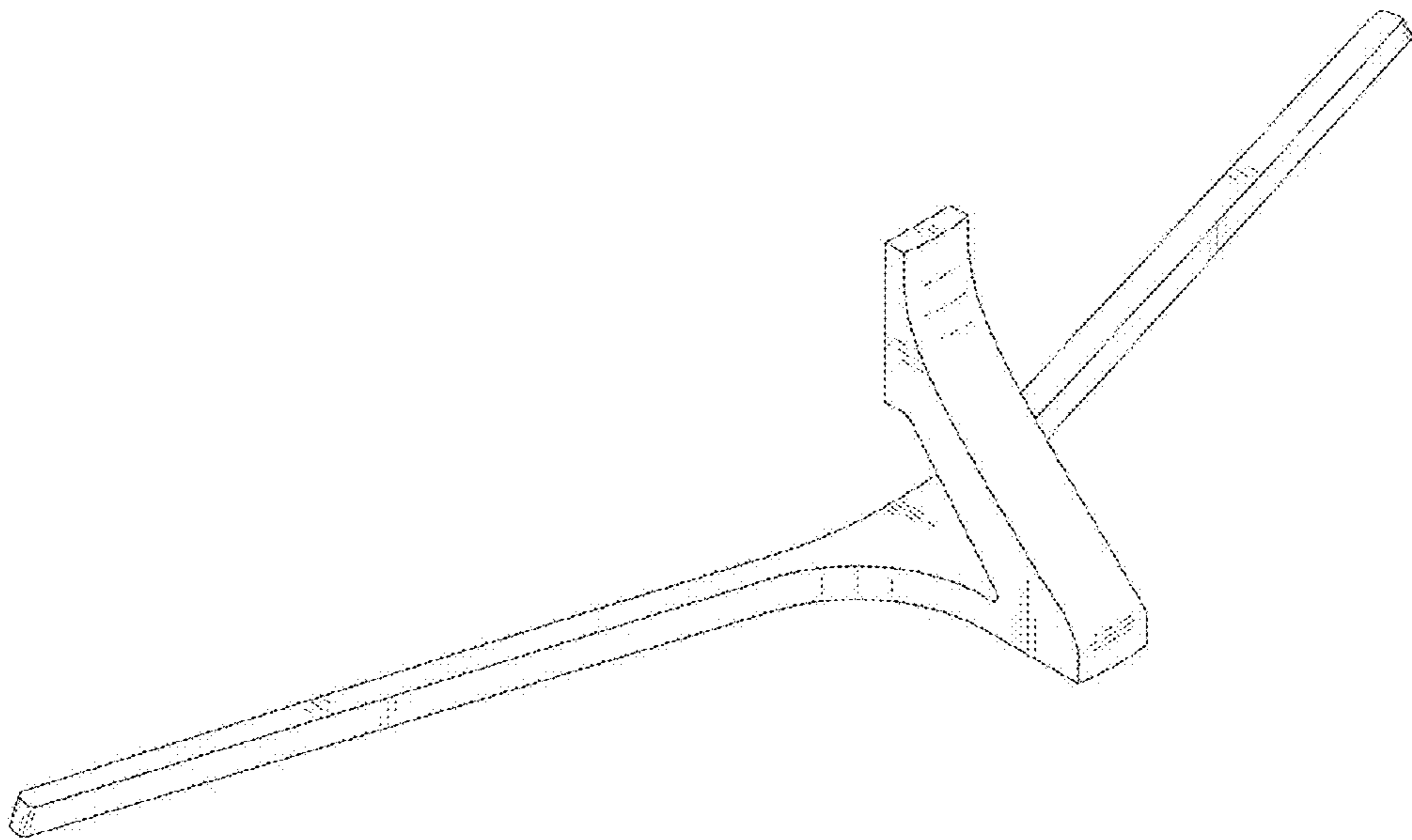


Fig. 9

