



US00D743952S

(12) **United States Design Patent**
Venghaus et al.

(10) **Patent No.:** **US D743,952 S**

(45) **Date of Patent:** **** Nov. 24, 2015**

- (54) **WINDOW MOUNTING BRACKET FOR AN ANTENNA**
- (71) Applicant: **Winegard Company**, Burlington, IA (US)
- (72) Inventors: **Brent Venghaus**, Mount Pleasant, IA (US); **Orrin Lanz**, Mediapolis, IA (US)
- (73) Assignee: **Winegard Company**, Burlington, IA (US)
- (**) Term: **14 Years**
- (21) Appl. No.: **29/485,767**
- (22) Filed: **Mar. 21, 2014**
- (51) **LOC (10) Cl.** **14-03**
- (52) **U.S. Cl.**
USPC **D14/238; D8/373**
- (58) **Field of Classification Search**
USPC D14/230–238, 299, 358;
343/700 R–705, 711–713, 871–908;
455/90.2–90.3; 333/193; D8/353, 354,
D8/363, 381, 373
CPC H01Q 7/00; H01Q 13/10; H01Q 9/285;
H01Q 19/30; H01Q 19/12; H01Q 1/38;
H05K 11/00
See application file for complete search history.

D343,840	S	*	2/1994	Watanabe	D14/238
D447,047	S	*	8/2001	Clifford	D8/349
6,276,080	B1		8/2001	Brennan		
D523,736	S	*	6/2006	Lu	D8/373
D562,116	S	*	2/2008	Ziaylek	D8/373
D581,912	S	*	12/2008	Blair, Jr.	D14/238
7,703,732	B2	*	4/2010	Dantuono	A47G 7/045 211/90.03
D637,894	S	*	5/2011	Maurer	D8/373
D638,284	S	*	5/2011	Craft	D8/373
D650,483	S	*	12/2011	Roggenkamp	D24/184
D674,683	S	*	1/2013	Shea	D8/373
D678,043	S	*	3/2013	Lu	D8/373
D684,848	S	*	6/2013	Gasparino	D8/373
D695,090	S	*	12/2013	White	D8/354
D708,933	S	*	7/2014	Kats	D8/380
D727,718	S	*	4/2015	McLaren Hall	D8/373
D728,262	S	*	5/2015	Lim	D6/553
D729,049	S	*	5/2015	Andren	D8/373
D736,606	S	*	8/2015	Underkofler	D8/373
2003/0122052	A1	*	7/2003	Huang	A47B 96/061 248/441.1

* cited by examiner

Primary Examiner — John Windmuller

(74) *Attorney, Agent, or Firm* — Dorr, Carson & Birney, PC

(57) **CLAIM**

The ornamental design for a window mounting bracket for an antenna, as shown and described.

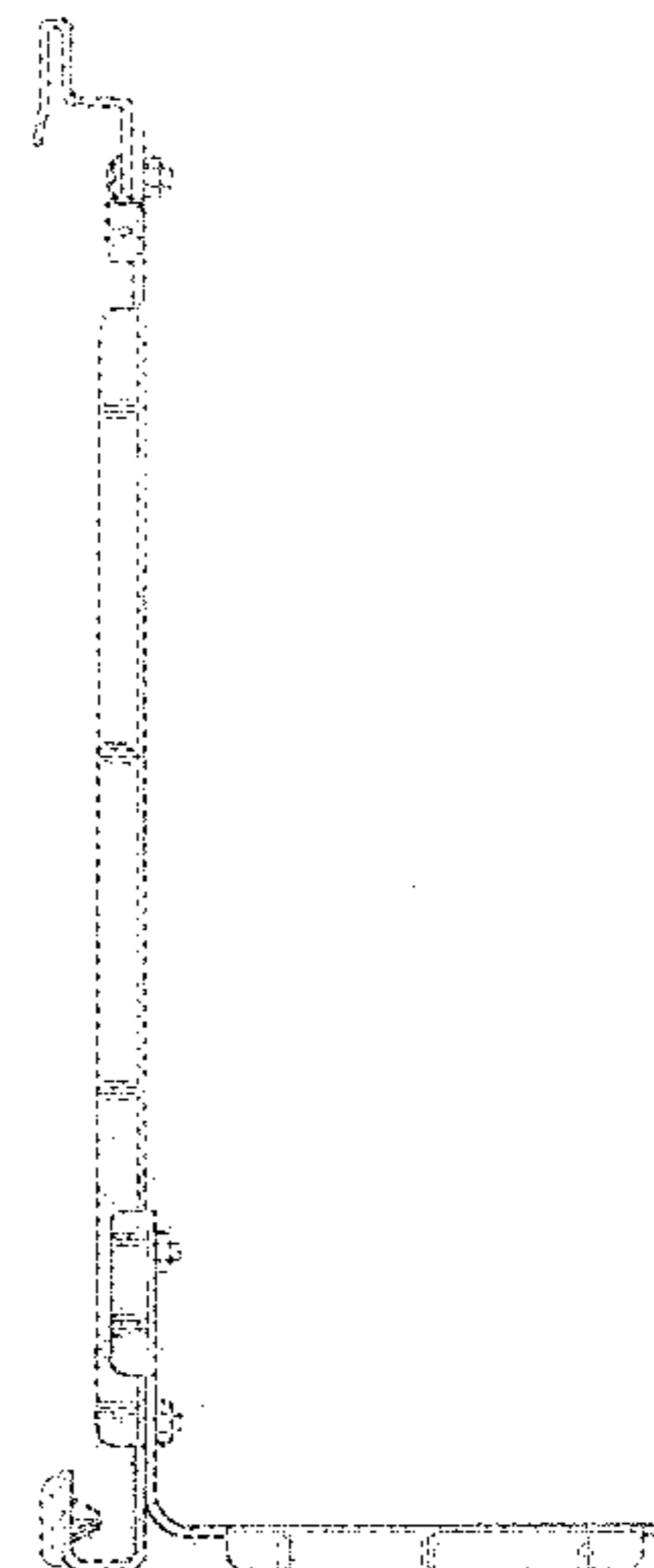
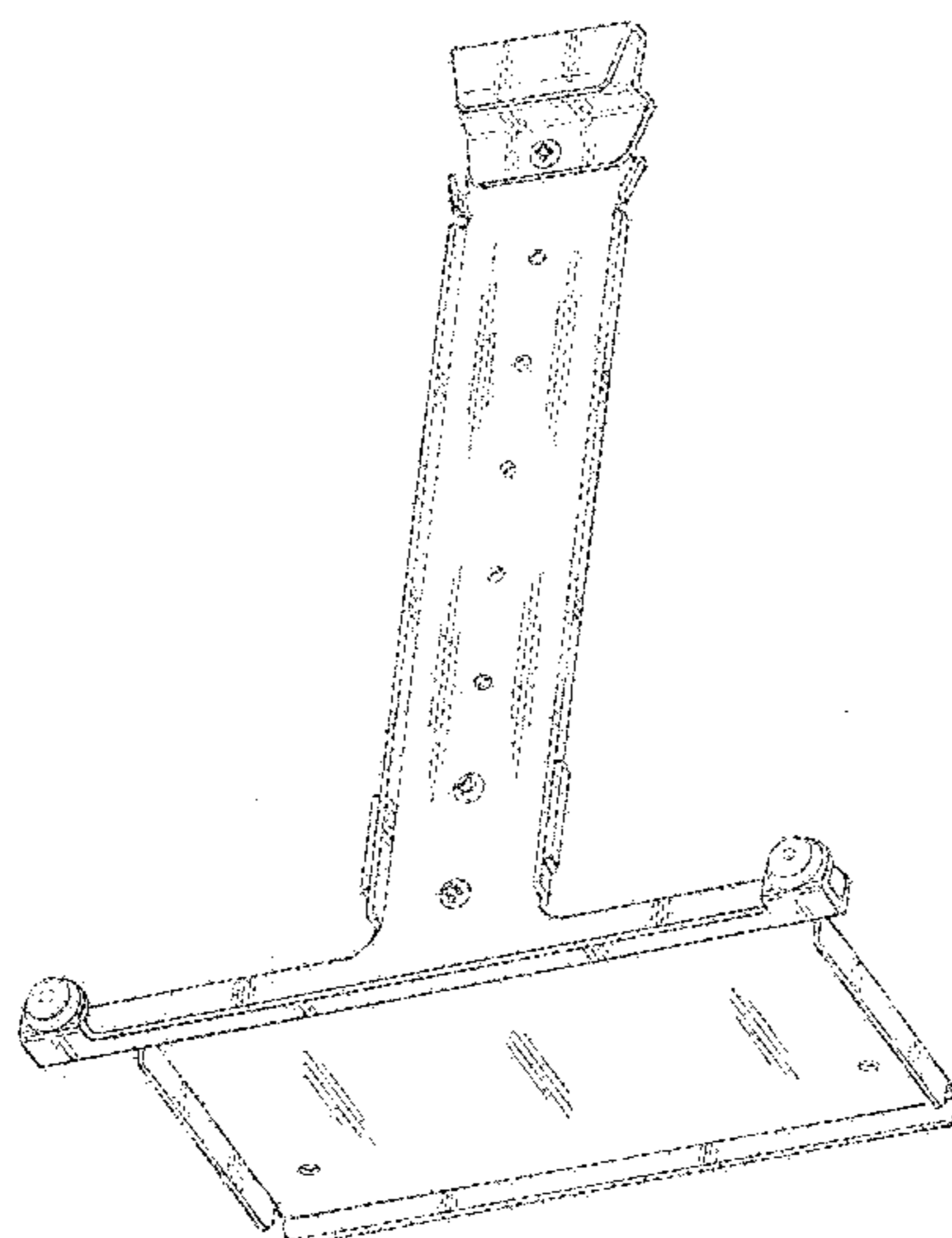
DESCRIPTION

FIG. 1 is a perspective view of a window mounting bracket for an antenna showing my new design.
 FIG. 2 is a front elevational view thereof.
 FIG. 3 is a left side elevational view thereof, with the right side elevational view being a mirror image of FIG. 3.
 FIG. 4 is a rear elevational view thereof.
 FIG. 5 is a top plan view thereof; and,
 FIG. 6 is a bottom plan view thereof.

1 Claim, 5 Drawing Sheets

(56) **References Cited**
 U.S. PATENT DOCUMENTS

2,649,018	A	*	8/1953	Schnetzer, Jr.	G03B 27/465 352/174
D230,607	S	*	3/1974	Martin	D12/106
4,077,554	A		3/1978	Goode		
D249,517	S	*	9/1978	Parduhn	343/715
4,692,770	A		9/1987	Kadokura		
5,084,994	A		2/1992	Elmer		
5,225,845	A		7/1993	Blaese		



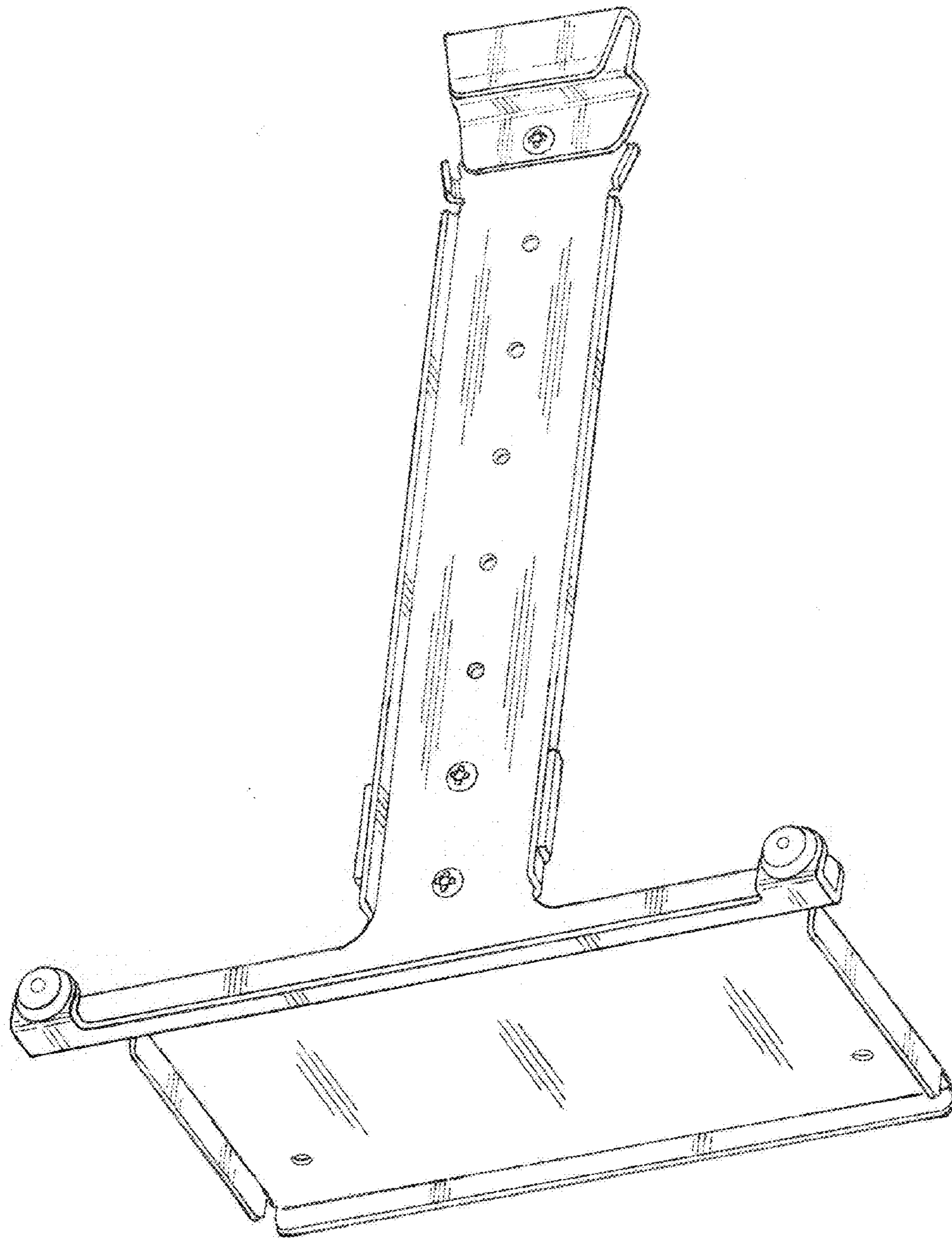


Fig. 1

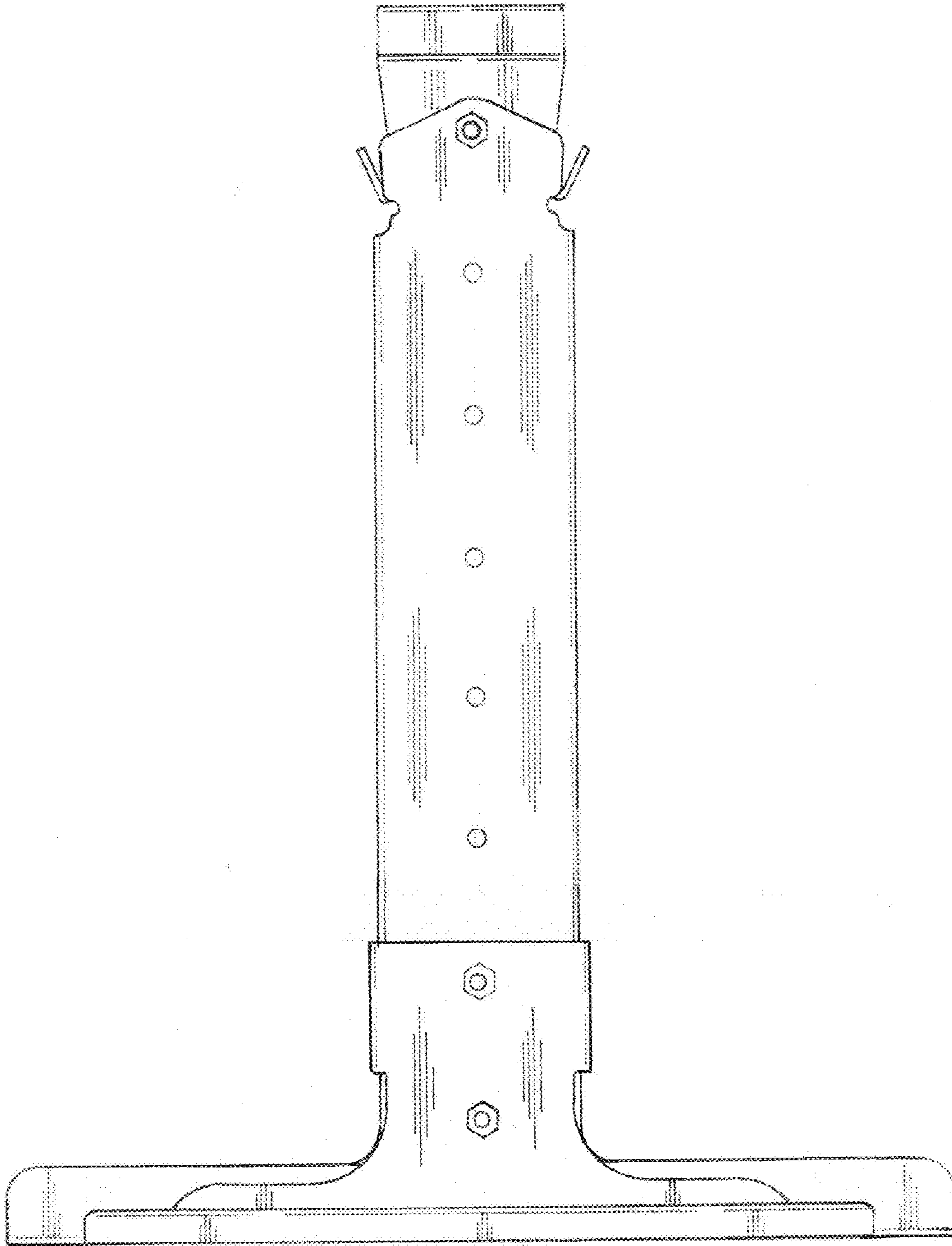


Fig. 2

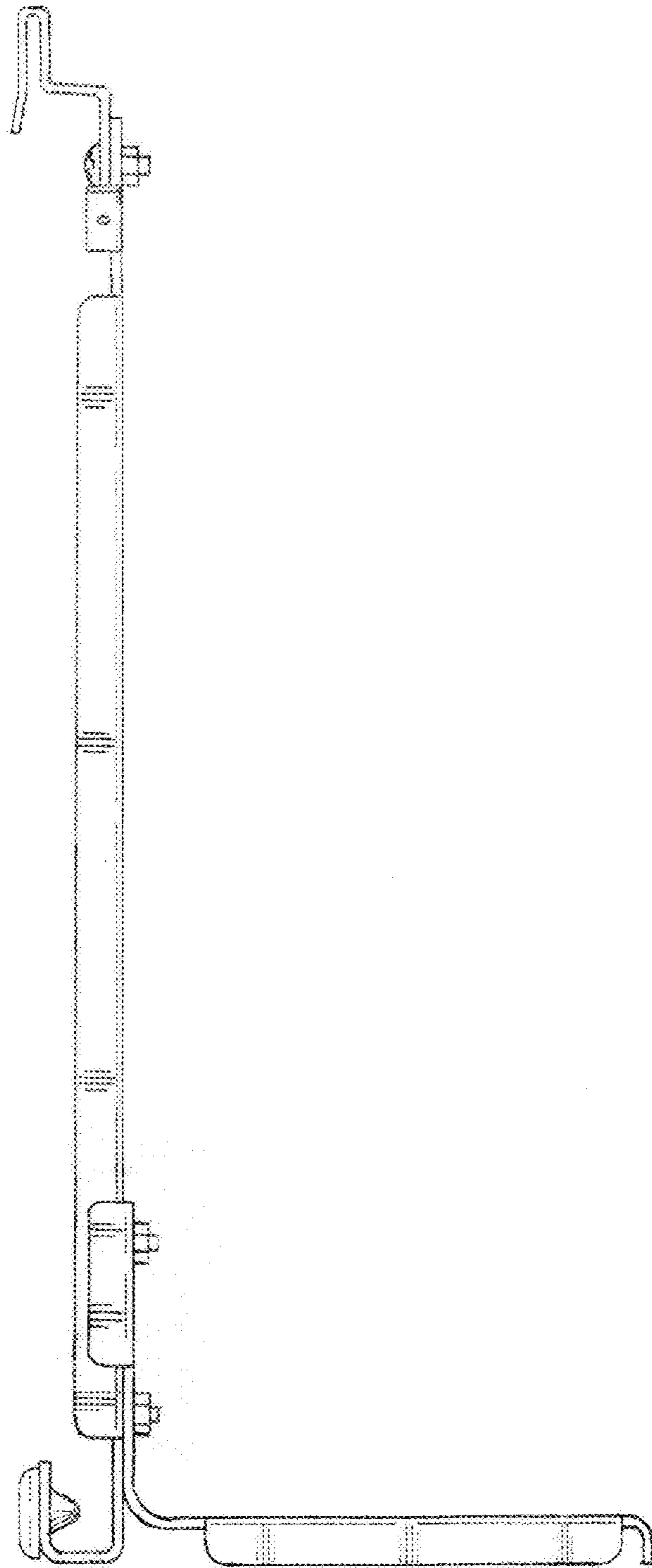


Fig. 3

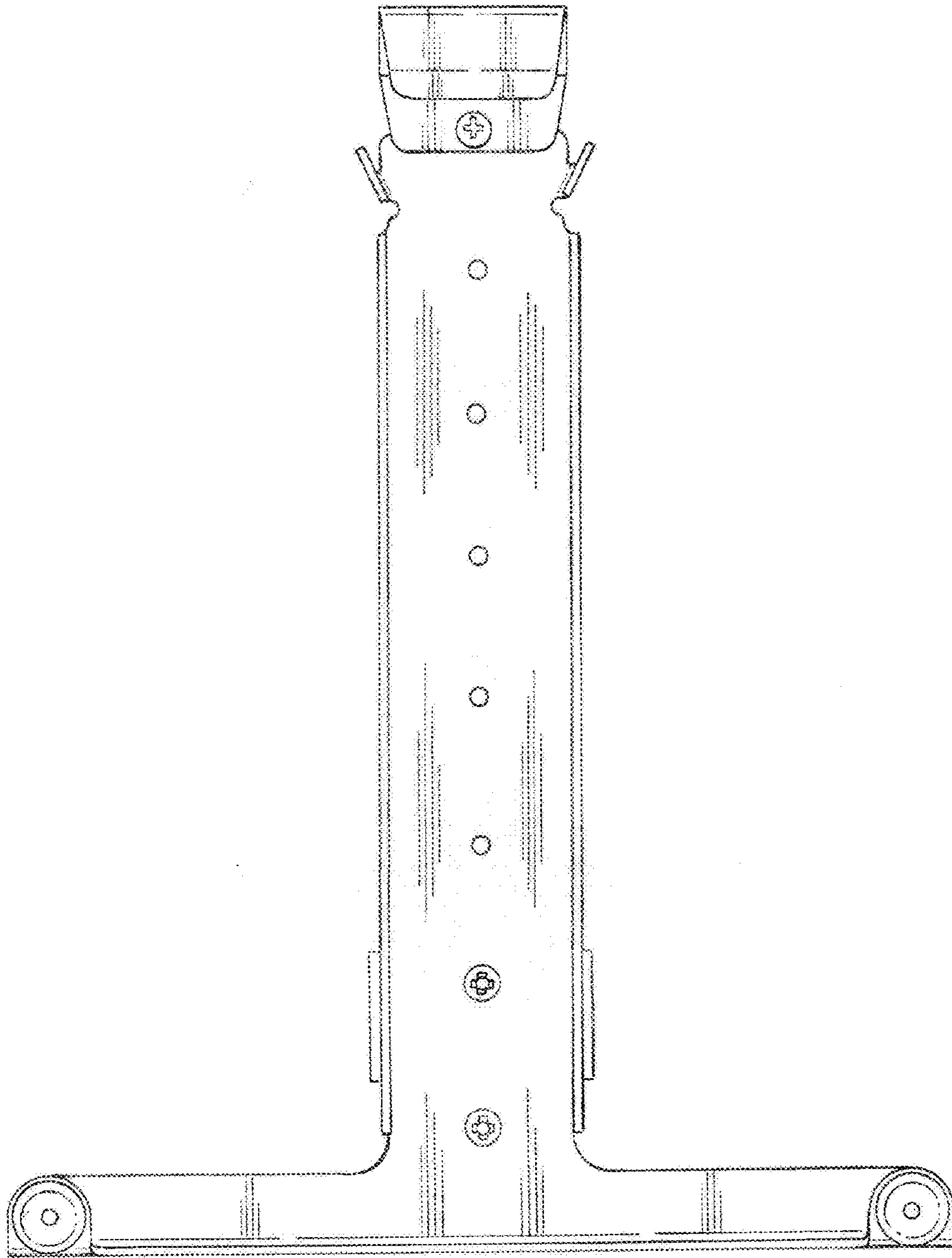


Fig. 4

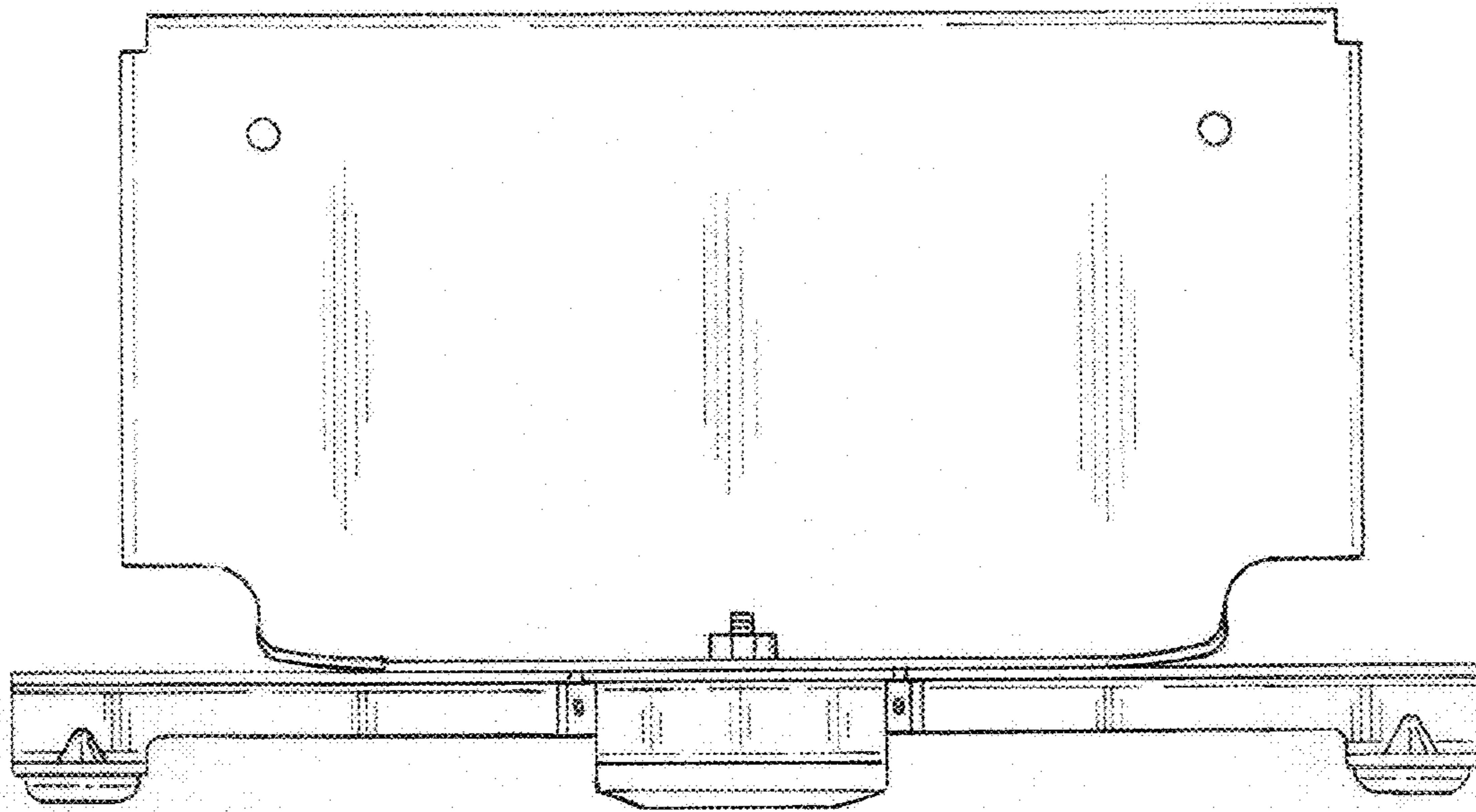


Fig. 5

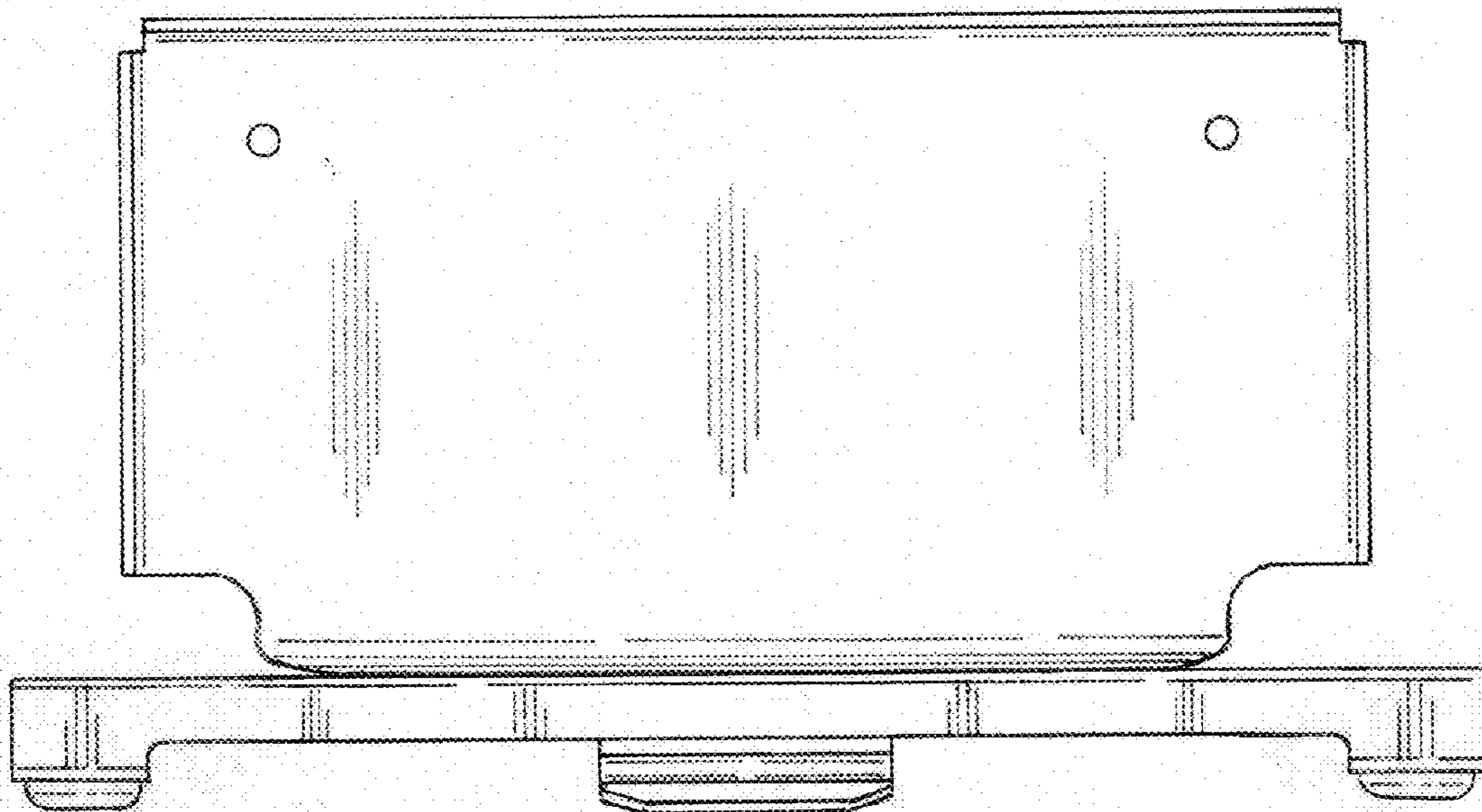


Fig. 6