



US00D743951S

(12) **United States Design Patent**  
**Slaton**

(10) **Patent No.:** **US D743,951 S**

(45) **Date of Patent:** **\*\* Nov. 24, 2015**

(54) **MICROPHONE STAND**

(71) Applicant: **Swift Distribution, Inc.**, Loveland, CO  
(US)

(72) Inventor: **Robin Richard Slaton**, Fort Collins, CO  
(US)

(73) Assignee: **Swift Distribution, Inc.**, Loveland, CO  
(US)

(\*\*) Term: **14 Years**

(21) Appl. No.: **29/462,653**

(22) Filed: **Aug. 6, 2013**

**Related U.S. Application Data**

(63) Continuation of application No. 29/353,754, filed on  
Jan. 13, 2010, now Pat. No. Des. 687,421.

(51) **LOC (10) Cl.** ..... **14-01**

(52) **U.S. Cl.**  
USPC ..... **D14/229**

(58) **Field of Classification Search**  
USPC ..... D14/206, 211, 224-229, 496; D24/128;  
D6/396, 397, 410, 411, 415, 429-431,  
D6/449, 455, 457-458, 462, 466, 495;  
D19/65, 86; 248/188.7, 194, 205, 411,  
248/412, 544; 403/351; D17/99

See application file for complete search history.

(56) **References Cited**

**U.S. PATENT DOCUMENTS**

D18,940 S	2/1889	Jackson
688,623 A	12/1901	Forry
D137,960 S	5/1944	Hagar
3,338,539 A	8/1967	Foster
D229,132 S	11/1973	Uroshevich
3,804,355 A	4/1974	Uroshevich
D257,987 S	1/1981	Schoenig
4,321,874 A	3/1982	Cenna

D264,852 S	6/1982	Schoenig
D268,458 S	4/1983	Schoenig
4,445,415 A	5/1984	Izquierdo
D288,755 S	3/1987	Schoenig
D289,952 S	5/1987	Kido
D290,355 S	6/1987	Nagele
4,669,691 A	6/1987	Solomon

(Continued)

**FOREIGN PATENT DOCUMENTS**

WO	2004065841 A1	8/2004
WO	2004066667 A1	8/2004

(Continued)

**OTHER PUBLICATIONS**

Konig & Meyer Spider Keyboard Stand, audioMIDI.com Dec. 28,  
2004.

(Continued)

*Primary Examiner* — Deanna L Pratt

*Assistant Examiner* — Katie Mroczka

(74) *Attorney, Agent, or Firm* — Sheridan Ross P.C.

(57) **CLAIM**

The ornamental design for a microphone stand, as shown and  
described.

**DESCRIPTION**

FIG. 1 shows a perspective view of the microphone stand  
showing our new design;

FIG. 2 shows a front view thereof;

FIG. 3 shows a back view thereof;

FIG. 4 shows a top view thereof;

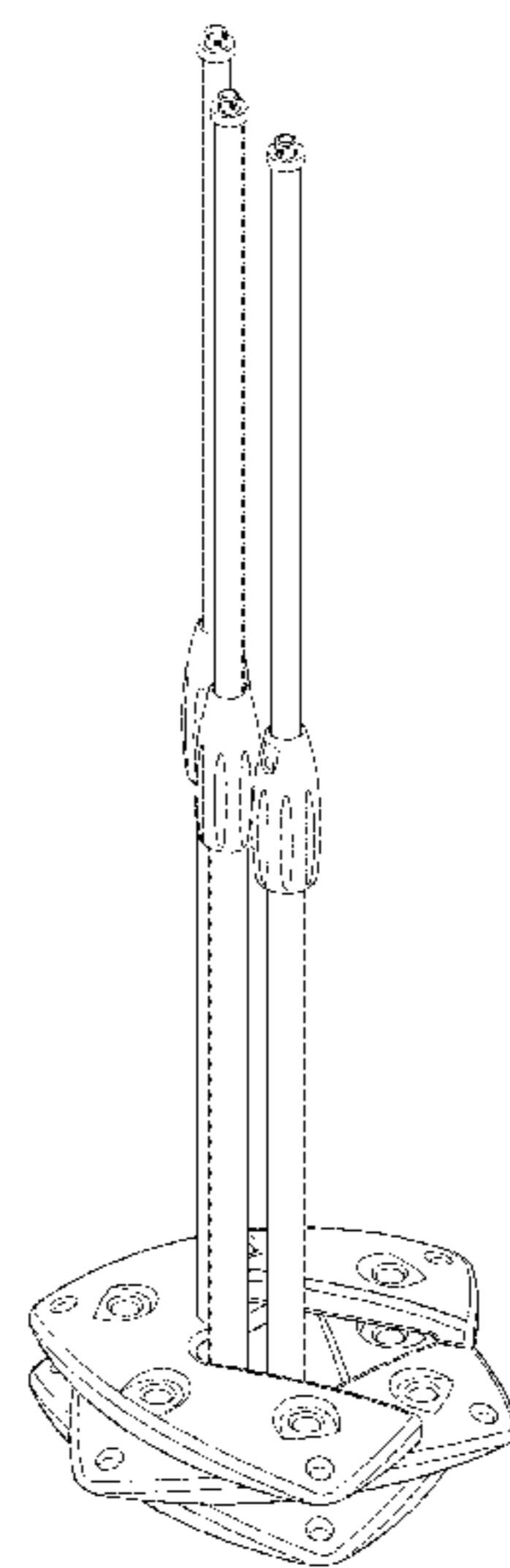
FIG. 5 shows a bottom view thereof;

FIG. 6 shows a left view thereof; and,

FIG. 7 shows a right view thereof.

The broken lines in FIGS. 1-7 illustrate portions of the micro-  
phone stand which form no part of the claimed design.

**1 Claim, 7 Drawing Sheets**



(56)

References Cited

U.S. PATENT DOCUMENTS

4,671,479 A 6/1987 Johnson et al.  
 4,763,865 A 8/1988 Danner  
 4,770,380 A 9/1988 Eason et al.  
 D304,270 S 10/1989 Goldman  
 D306,943 S 4/1990 Hodge et al.  
 4,917,341 A 4/1990 Pirchio  
 4,988,064 A 1/1991 Hoshino  
 4,988,150 A 1/1991 Lindow et al.  
 5,029,796 A 7/1991 Schoenig  
 D320,034 S 9/1991 Brooks et al.  
 5,048,789 A 9/1991 Eason et al.  
 D321,293 S 11/1991 Kucsak  
 D323,081 S 1/1992 Schaffer  
 5,112,020 A 5/1992 Ginsberg  
 D326,969 S 6/1992 Eason et al.  
 D329,342 S 9/1992 Schoenig  
 5,165,635 A 11/1992 Hoshino  
 5,188,321 A 2/1993 Hirschenson et al.  
 5,199,930 A 4/1993 Weber  
 D335,889 S 5/1993 Gibran  
 5,208,736 A 5/1993 Crooks et al.  
 D336,099 S 6/1993 Schoenig  
 5,251,925 A 10/1993 Haley, Sr.  
 5,301,910 A 4/1994 Lang et al.  
 5,312,076 A 5/1994 Rogov  
 5,322,250 A 6/1994 Wilhite, Jr.  
 5,358,204 A 10/1994 Terada  
 5,390,764 A 2/1995 Kerber  
 5,392,476 A 2/1995 Williams  
 5,395,088 A 3/1995 Ginsberg  
 D364,281 S 11/1995 Eason  
 D364,516 S 11/1995 Helenowski  
 5,467,953 A 11/1995 Malizia  
 D367,481 S \* 2/1996 Bacnik ..... D14/230  
 5,509,629 A 4/1996 Sassmannshausen et al.  
 D370,575 S 6/1996 Lechleiter et al.  
 5,565,889 A 10/1996 Crooks et al.  
 D375,639 S 11/1996 House et al.  
 5,572,237 A 11/1996 Crooks et al.  
 5,603,480 A 2/1997 Chen  
 D390,953 S 2/1998 Ward et al.  
 5,713,553 A 2/1998 Cooper  
 5,732,928 A 3/1998 Chang  
 D400,735 S 11/1998 House et al.  
 5,857,649 A 1/1999 Eason  
 5,894,406 A 4/1999 Blend et al.  
 D409,020 S 5/1999 Hardin  
 D409,594 S 5/1999 Lepack  
 D414,962 S 10/1999 Welsh et al.  
 D416,464 S 11/1999 Eason  
 5,996,814 A 12/1999 Workman et al.  
 D421,447 S 3/2000 Eason  
 6,045,179 A 4/2000 Harrison

D435,365 S 12/2000 Eason et al.  
 6,283,421 B1 9/2001 Eason et al.  
 D450,339 S 11/2001 Eason  
 6,343,802 B1 2/2002 Workman et al.  
 6,375,135 B1 4/2002 Eason et al.  
 D468,133 S 1/2003 Lauts  
 D470,336 S 2/2003 Malizia  
 6,563,035 B2 5/2003 Hsieh  
 D475,555 S 6/2003 Lauts  
 6,609,686 B2 8/2003 Malizia  
 6,695,268 B1 2/2004 Hsieh  
 D493,363 S 7/2004 Eason  
 6,789,772 B2 9/2004 Eason  
 D497,904 S 11/2004 Dardashti  
 6,814,332 B2 11/2004 Eason  
 D506,219 S 6/2005 Eason  
 7,007,909 B2 3/2006 Hsieh  
 D522,492 S \* 6/2006 Carbone ..... D14/211  
 7,258,320 B2 8/2007 Tai  
 7,412,069 B2 8/2008 Workman et al.  
 D576,870 S 9/2008 Eason et al.  
 D580,262 S 11/2008 Eason et al.  
 D589,151 S 3/2009 Sabio  
 7,628,360 B2 12/2009 Anthes et al.  
 D613,092 S 4/2010 Eason et al.  
 D634,747 S \* 3/2011 Wong et al. .... D14/411  
 D643,230 S 8/2011 Hepeng  
 D646,501 S 10/2011 Hepeng  
 8,106,278 B2 1/2012 Eason  
 D657,977 S 4/2012 Belitz  
 2002/0100852 A1 8/2002 Eason et al.  
 2002/0109051 A1 8/2002 Kitagawa et al.  
 2004/0144233 A1 7/2004 Hsieh  
 2005/0035247 A1 2/2005 Roberts et al.  
 2008/0135697 A1 6/2008 Workman et al.  
 2008/0229901 A1 9/2008 Eason et al.  
 2008/0247810 A1 10/2008 Eason  
 2008/0253601 A1 10/2008 Hilderman  
 2010/0243828 A1 9/2010 Lippert et al.

FOREIGN PATENT DOCUMENTS

WO 2005070184 A1 8/2004  
 WO 2005070132 A2 4/2005  
 WO 2005067541 A2 7/2005  
 WO 2005070123 A1 8/2005  
 WO 2006073383 A2 7/2006  
 WO 2008134653 A1 11/2008  
 WO 2009091929 A1 7/2009

OTHER PUBLICATIONS

U.S. Appl. No. 61/144,649, filed Jan. 14, 2009.  
 Parent U.S. Appl. No. 29/353,754, filed Jan. 13, 2010.

\* cited by examiner

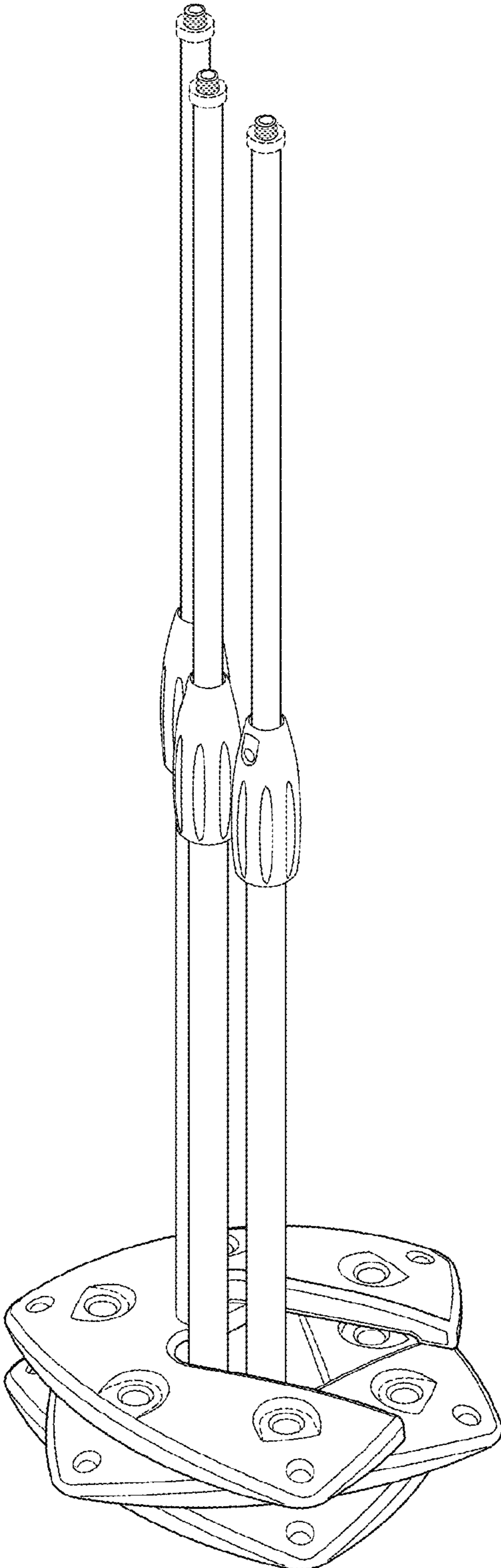


Fig. 1

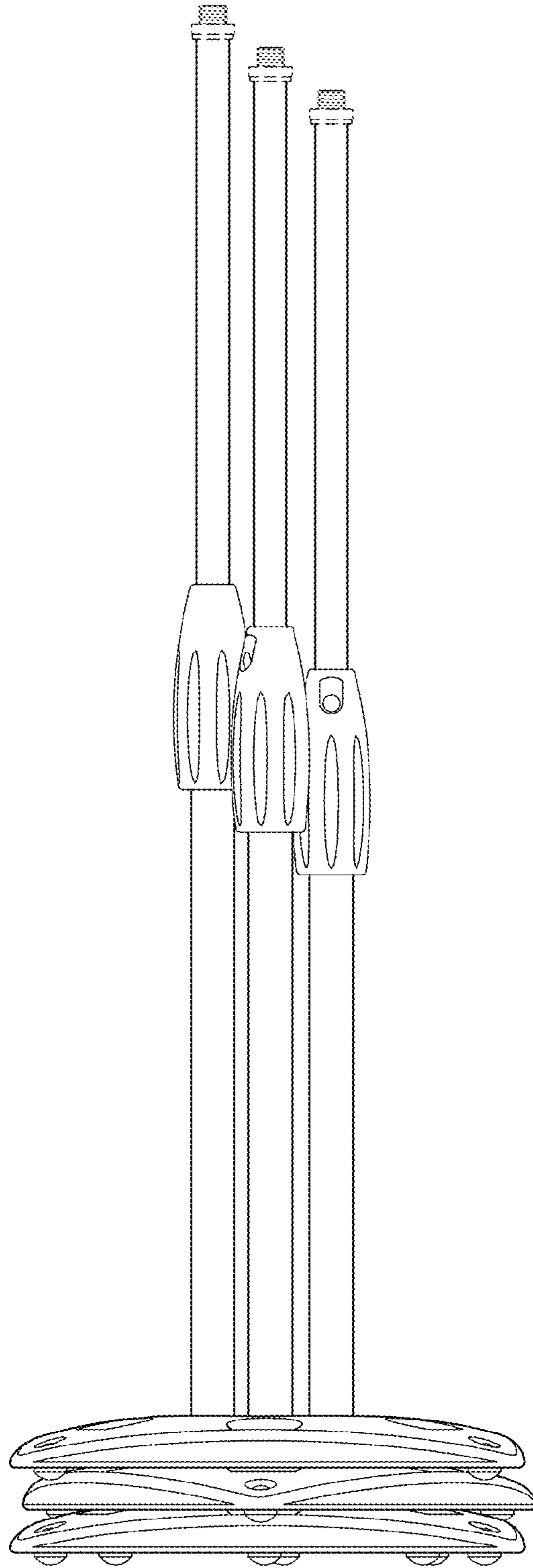


Fig. 2

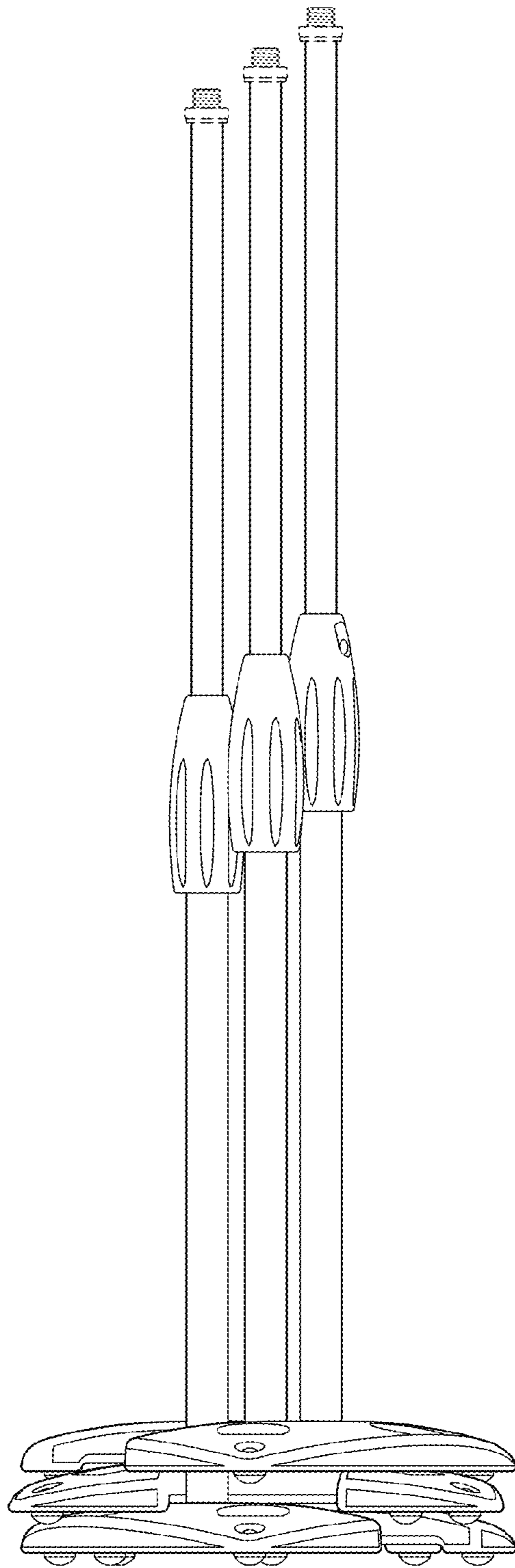


Fig. 3

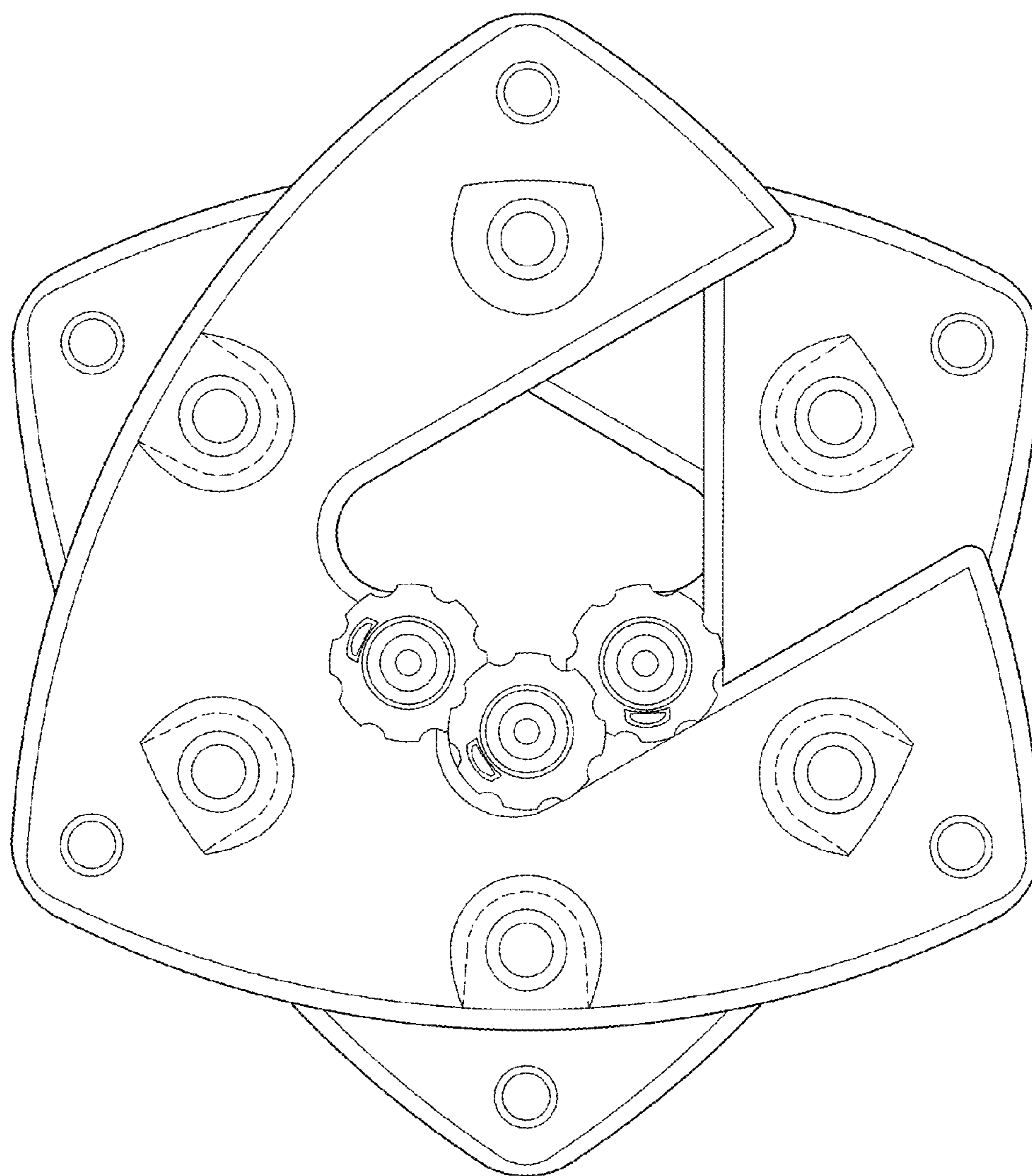


Fig. 4

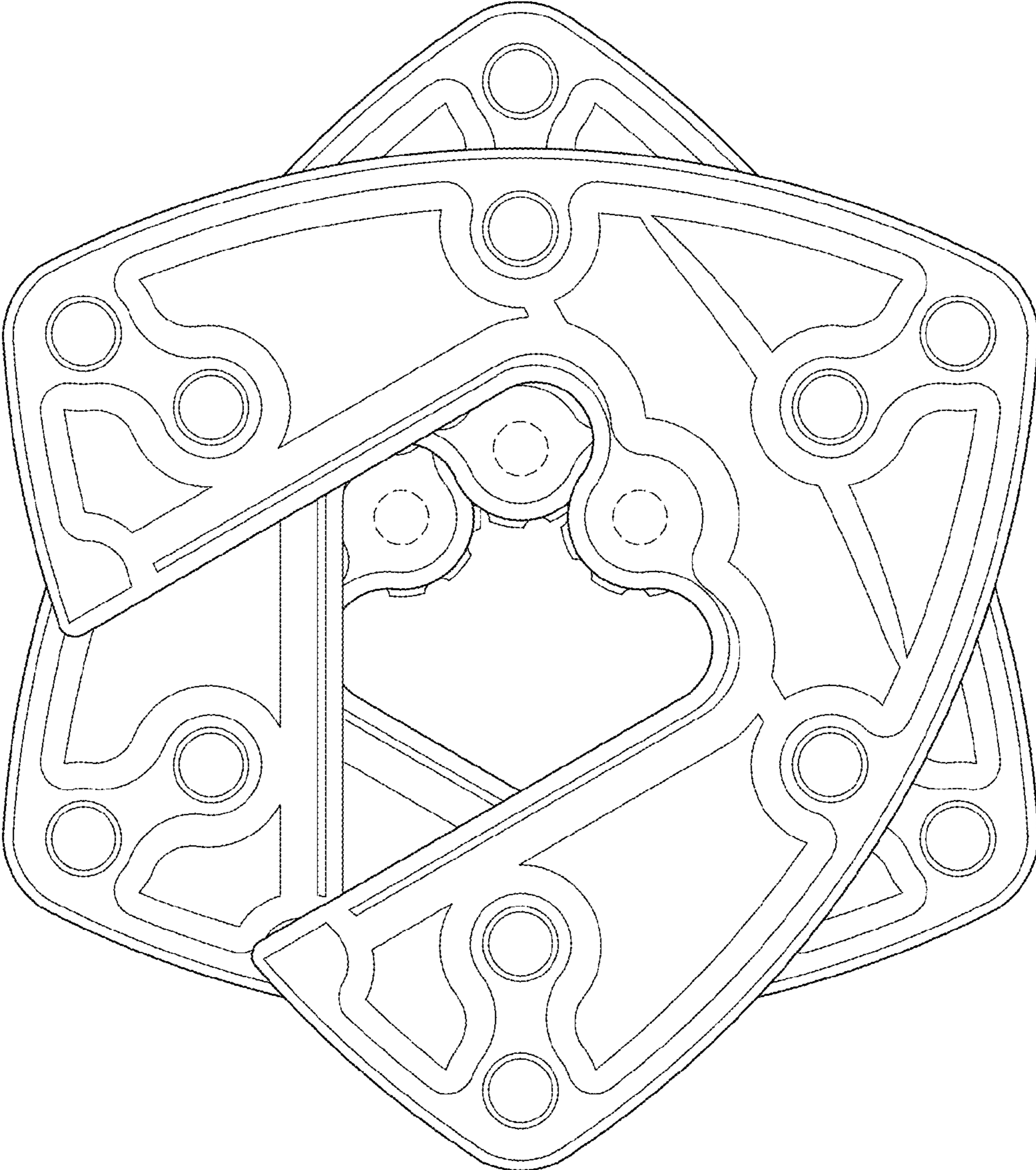


Fig. 5

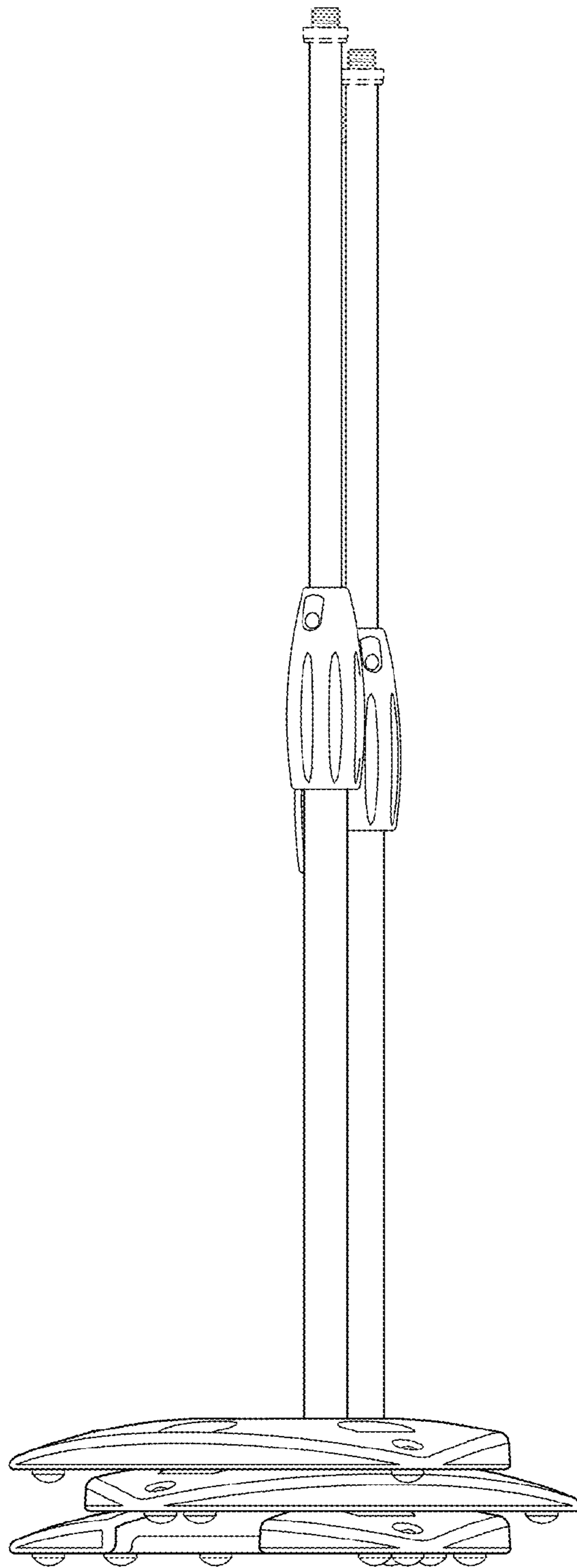


Fig. 6



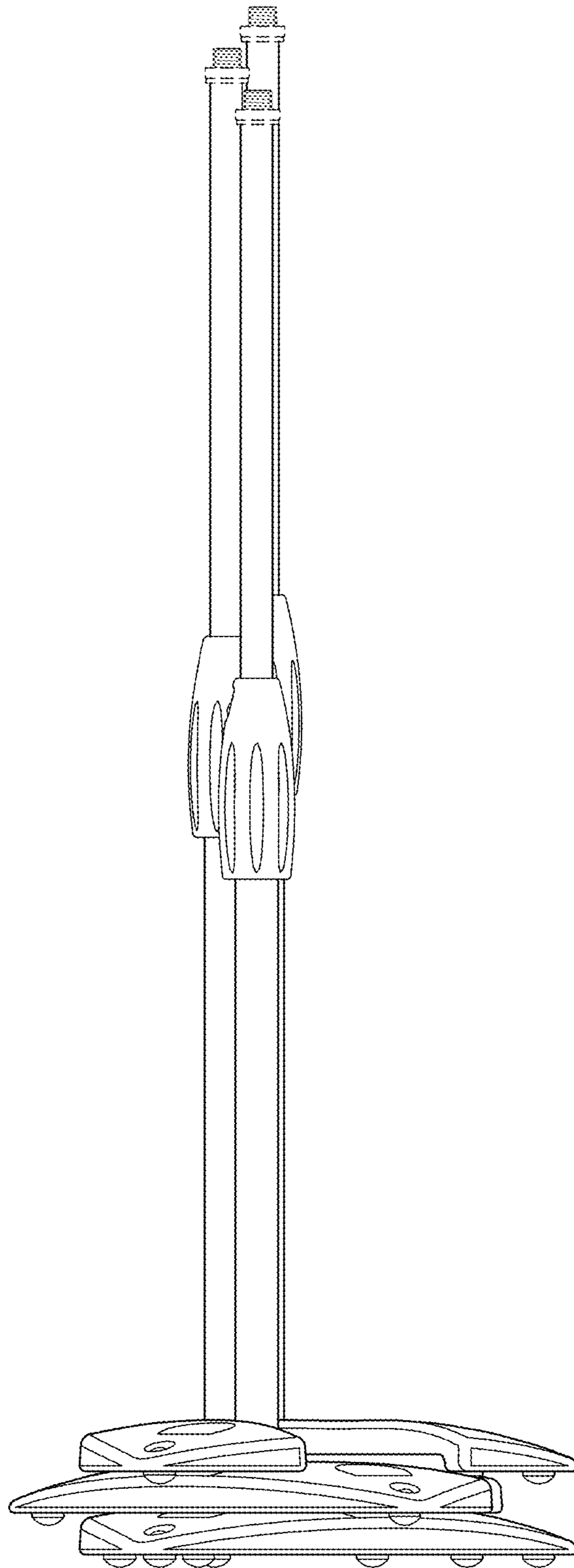


Fig. 7