



US00D743950S

(12) **United States Design Patent**  
**Derdzinski et al.**

(10) **Patent No.:** **US D743,950 S**

(45) **Date of Patent:** **\*\* Nov. 24, 2015**

(54) **SPEAKER MICROPHONE**

(71) Applicant: **OTTO Engineering, Inc.**,  
Carpentersville, IL (US)

(72) Inventors: **Alan Edmund Derdzinski**, Belvidere,  
IL (US); **Scott Ray Johansen**, Aurora,  
IL (US); **Jeffrey Alan Kennedy**,  
Algonquin, IL (US); **Joshua Britton**  
**Wawak**, Algonquin, IL (US);  
**Christopher Ole Yttri**, Twin Lakes, WI  
(US)

D615,533 S \* 5/2010 Emge et al. .... D14/225  
D619,125 S \* 7/2010 Kung ..... D14/225  
D632,679 S \* 2/2011 Emge et al. .... D14/225  
D651,996 S \* 1/2012 Wilson et al. .... D14/137  
D662,090 S \* 6/2012 Richards et al. .... D14/226  
D717,291 S \* 11/2014 Klein ..... D14/255  
D718,746 S \* 12/2014 Tran et al. .... D14/226  
D718,747 S \* 12/2014 Tran et al. .... D14/226  
D720,726 S \* 1/2015 Yu ..... D14/225

(73) Assignee: **OTTO ENGINEERING, INC.**,  
Carpenterville, IL (US)

(\*\*) Term: **14 Years**

(21) Appl. No.: **29/494,231**

(22) Filed: **Jun. 18, 2014**

(51) **LOC (10) Cl.** ..... **14-01**

(52) **U.S. Cl.**  
USPC ..... **D14/225**

(58) **Field of Classification Search**  
USPC ..... D10/104.1; D13/168; D14/137, 139,  
D14/155, 157, 188, 192, 204, 210, 214, 217,  
D14/225, 226, 229, 496; D21/483; 181/158,  
181/242; 379/185, 187, 420.04, 428.01,  
379/432, 433.01, 433.03, 433.06, 437-440,  
379/442; 381/122, 163, 355; 455/95, 100,  
455/575.1, 575.9

See application file for complete search history.

(56) **References Cited**

**U.S. PATENT DOCUMENTS**

D249,041 S \* 8/1978 Culbertson ..... D14/225  
D576,157 S \* 9/2008 Nishizawa ..... D14/225

**FOREIGN PATENT DOCUMENTS**

JP 1461221 \* 2/2013  
KR 3020080001587 \* 11/2008

\* cited by examiner

*Primary Examiner* — Susan Bennett Hattan

*Assistant Examiner* — Leanne Was

(74) *Attorney, Agent, or Firm* — McAndrews, Held &  
Malloy, Ltd.

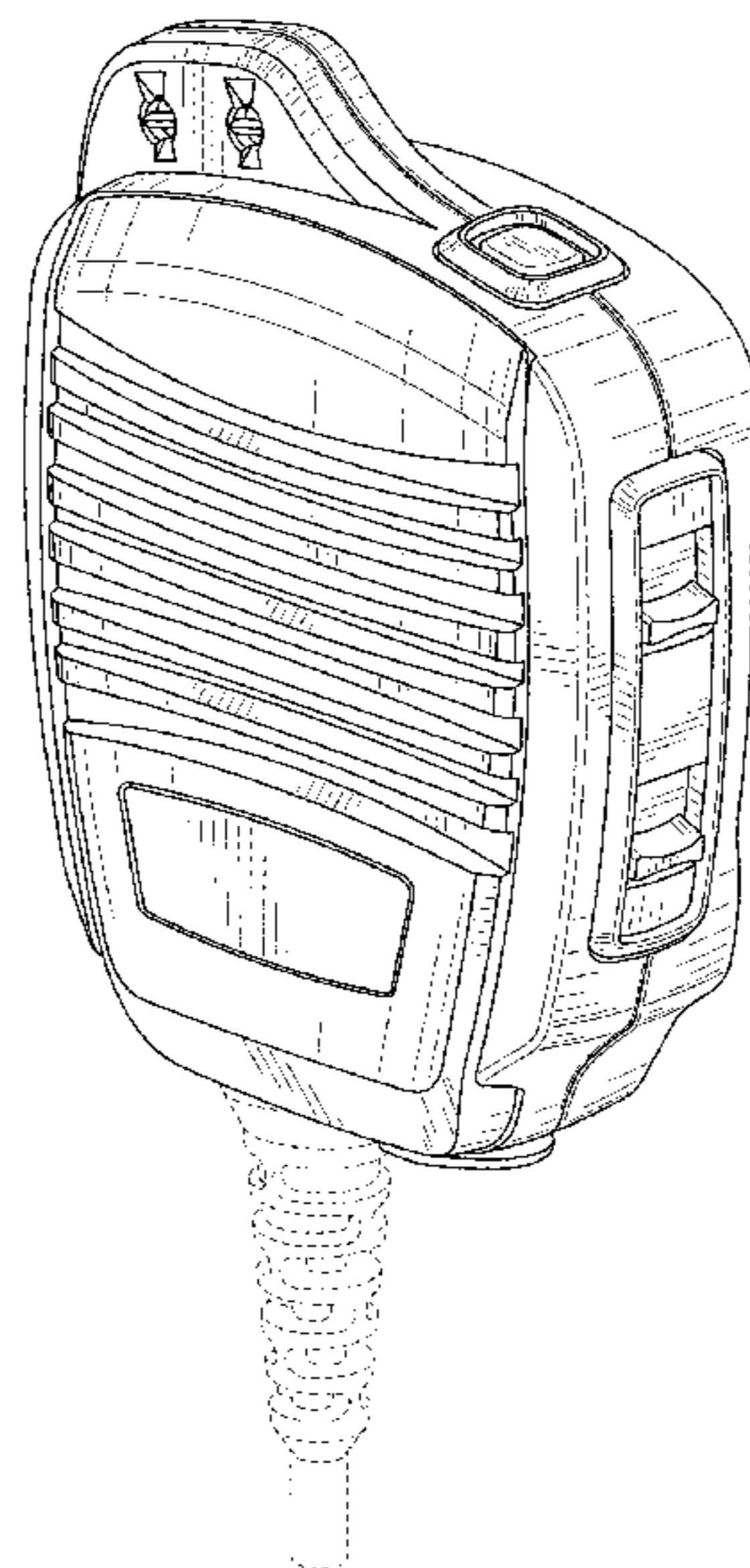
(57) **CLAIM**

The ornamental design for a speaker microphone, as shown  
and described.

**DESCRIPTION**

FIG. 1 is a front right perspective view of a speaker micro-  
phone showing our new design;  
FIG. 2 is a front elevation view thereof;  
FIG. 3 is a rear elevation view thereof;  
FIG. 4 is a right-side elevation view thereof  
FIG. 5 is a left-side elevation view thereof;  
FIG. 6 is a top plan view thereof;  
FIG. 7 is a BOTTOM plan view thereof; and,  
FIG. 8 is a rear perspective view thereof, illustrating a fasten-  
ing clip installed on the speaker microphone.  
Dashed broken lines depict portions of the speaker micro-  
phone that form no part of the claimed design.

**1 Claim, 6 Drawing Sheets**



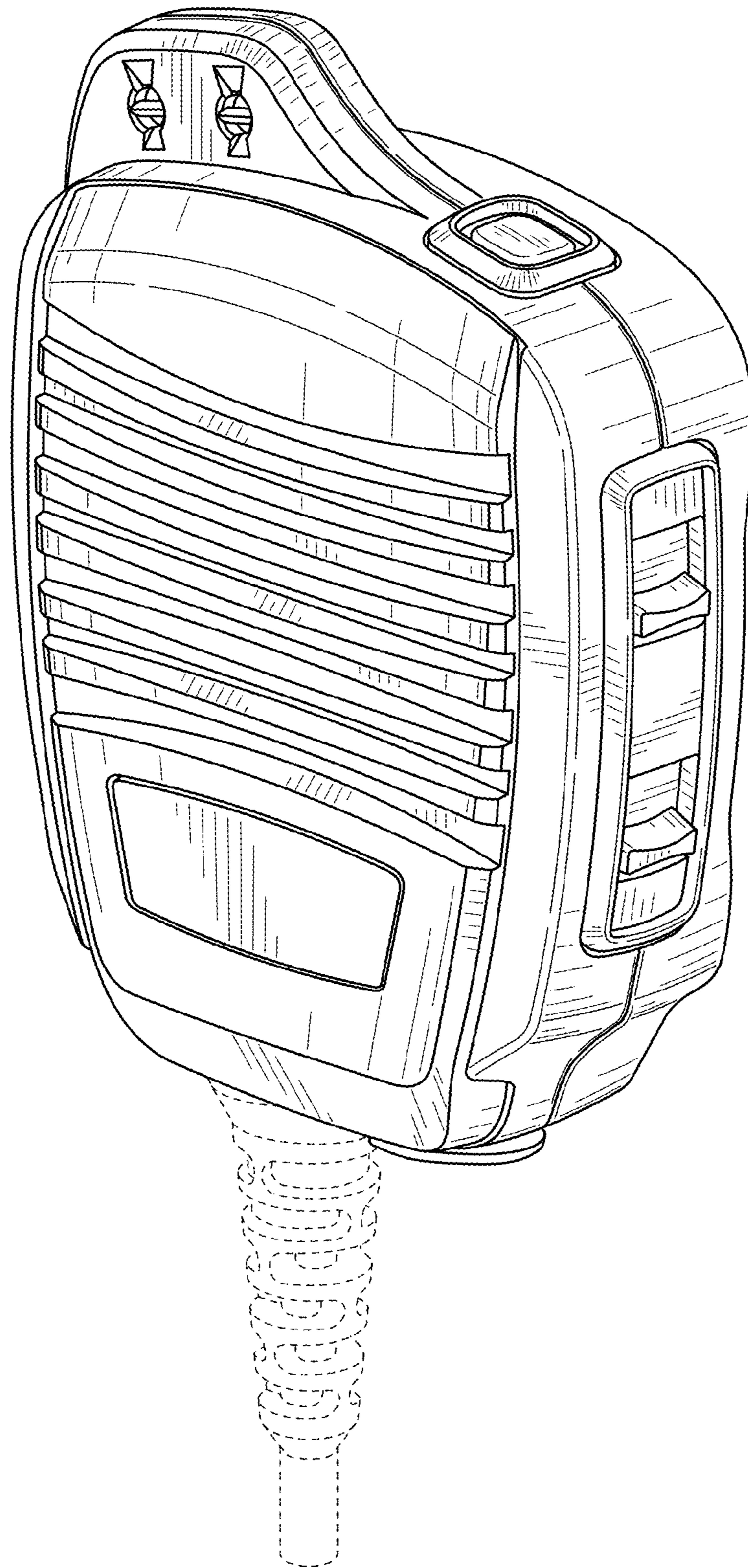


FIG. 1

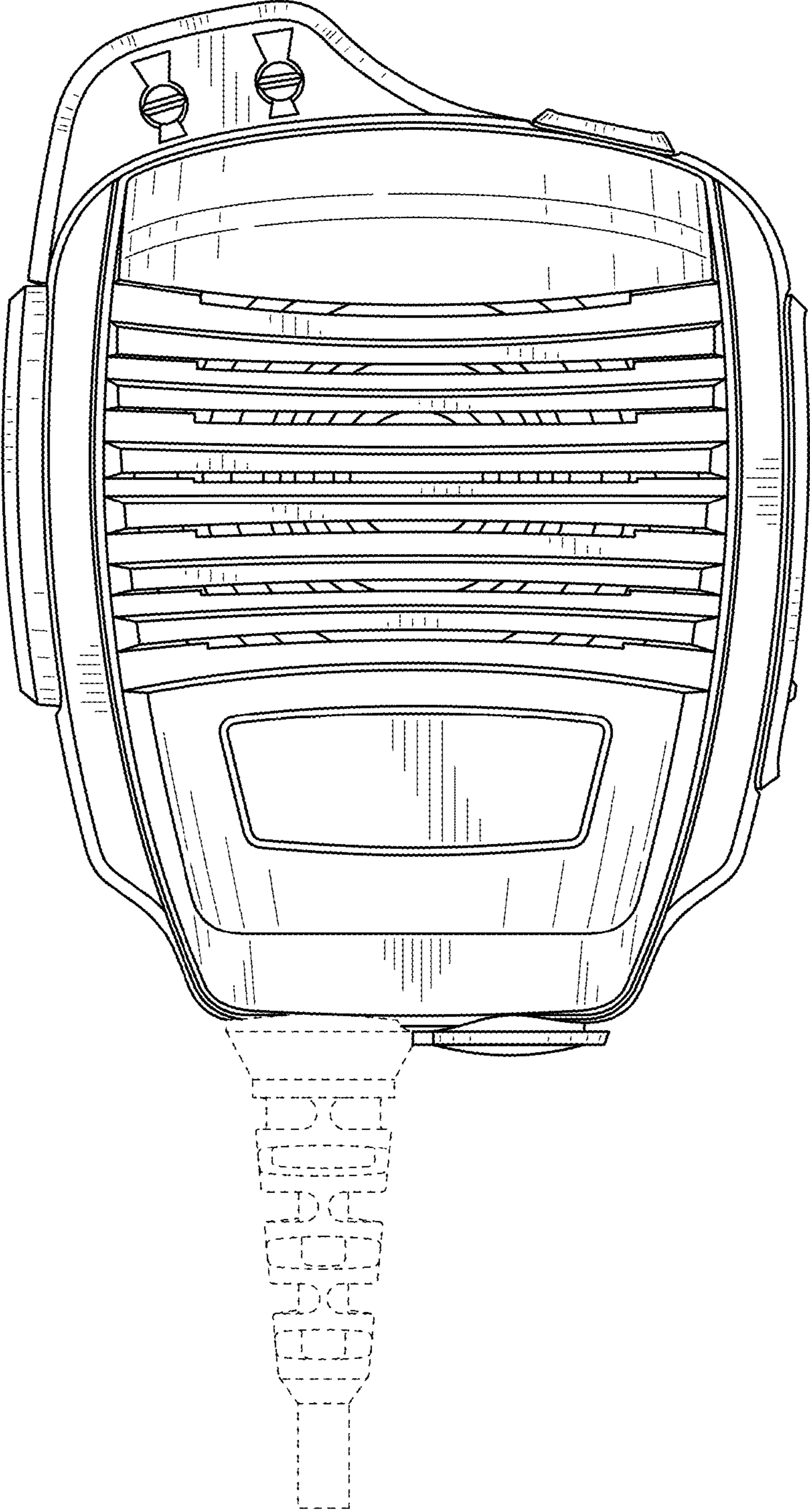


FIG. 2

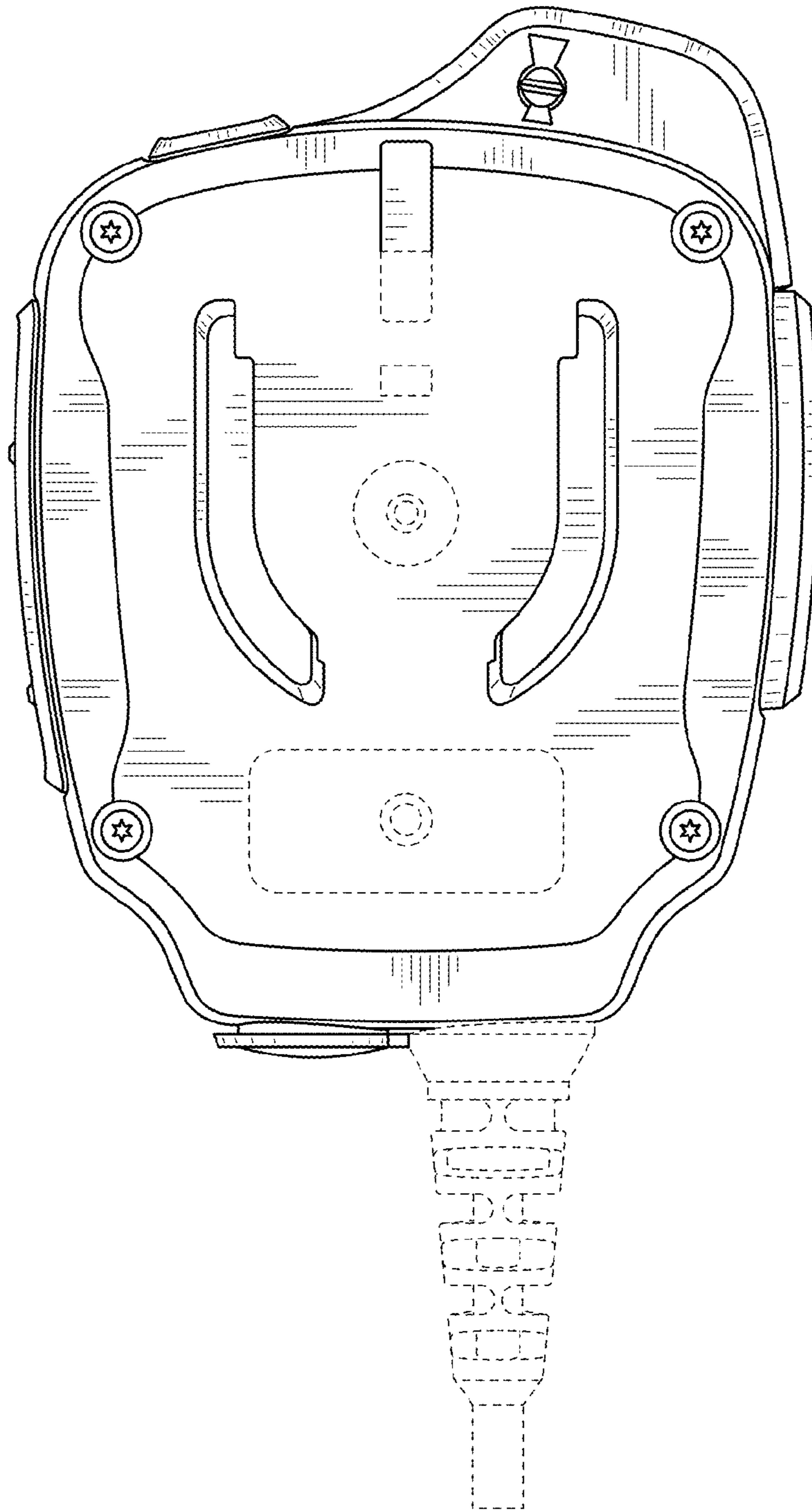


FIG. 3

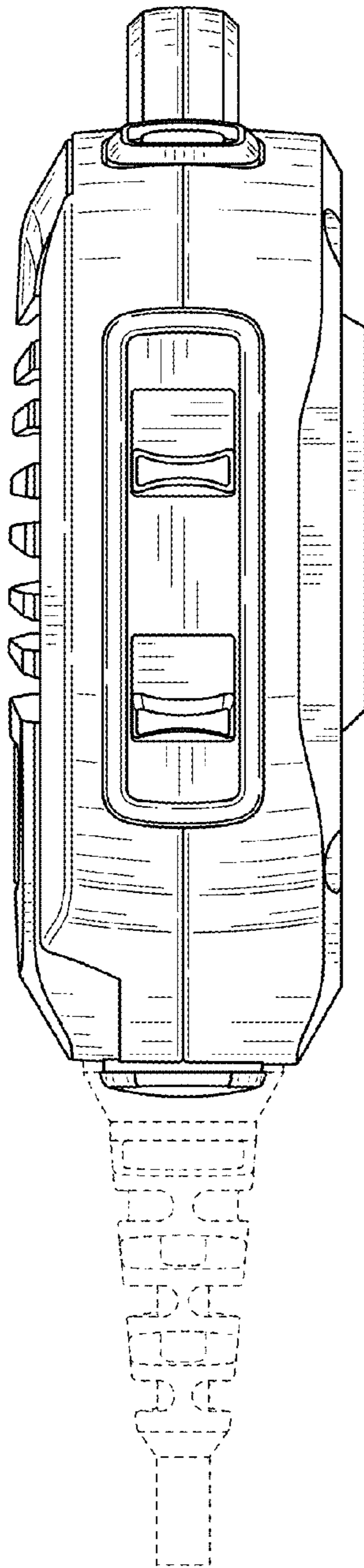


FIG. 4

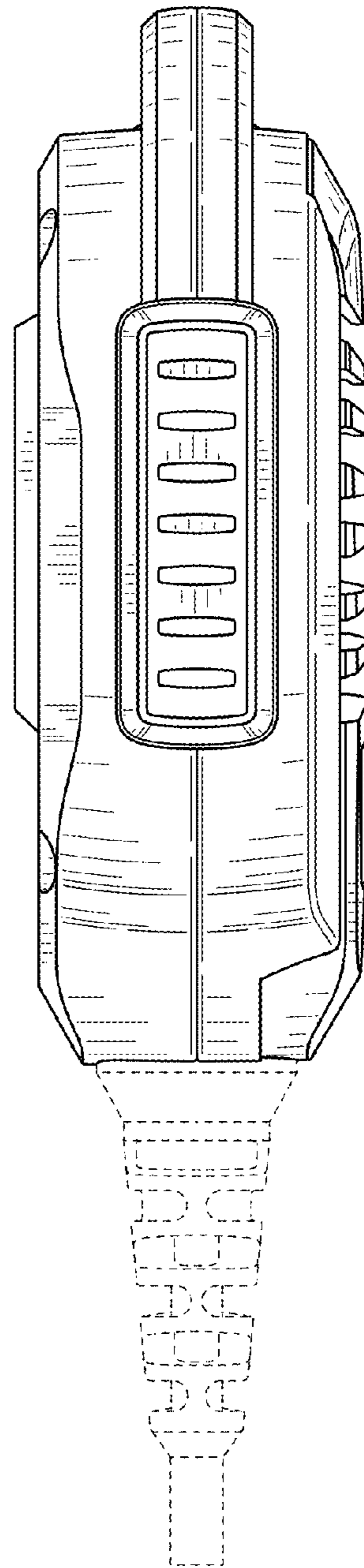


FIG. 5

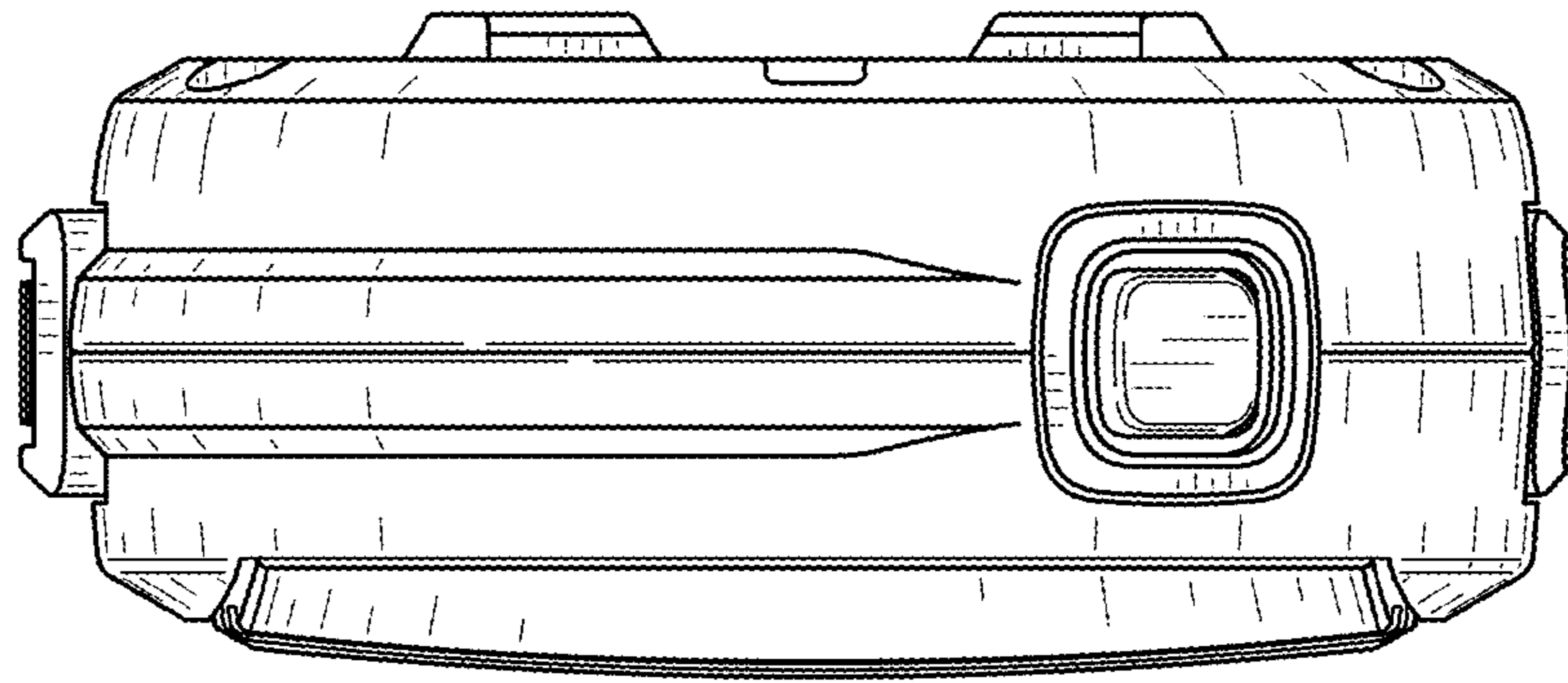


FIG. 6

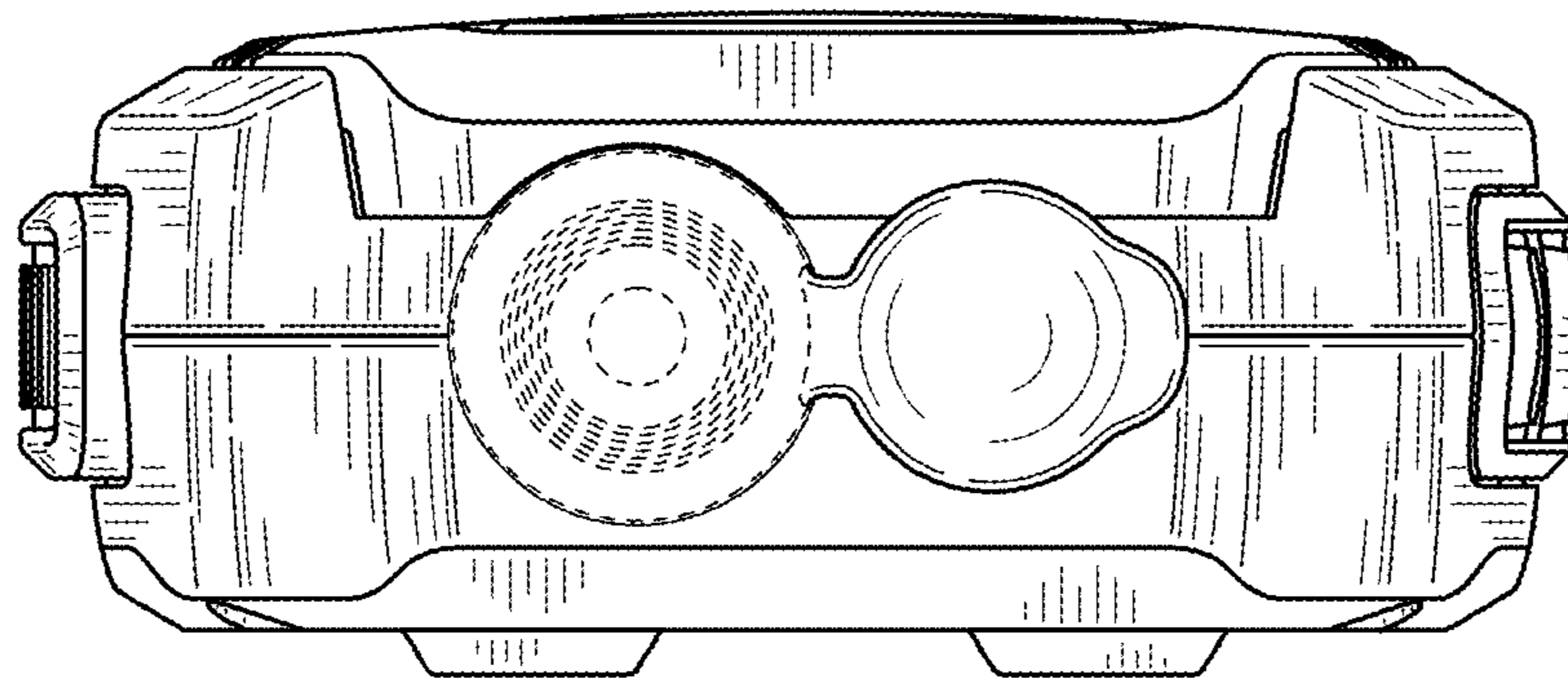


FIG. 7

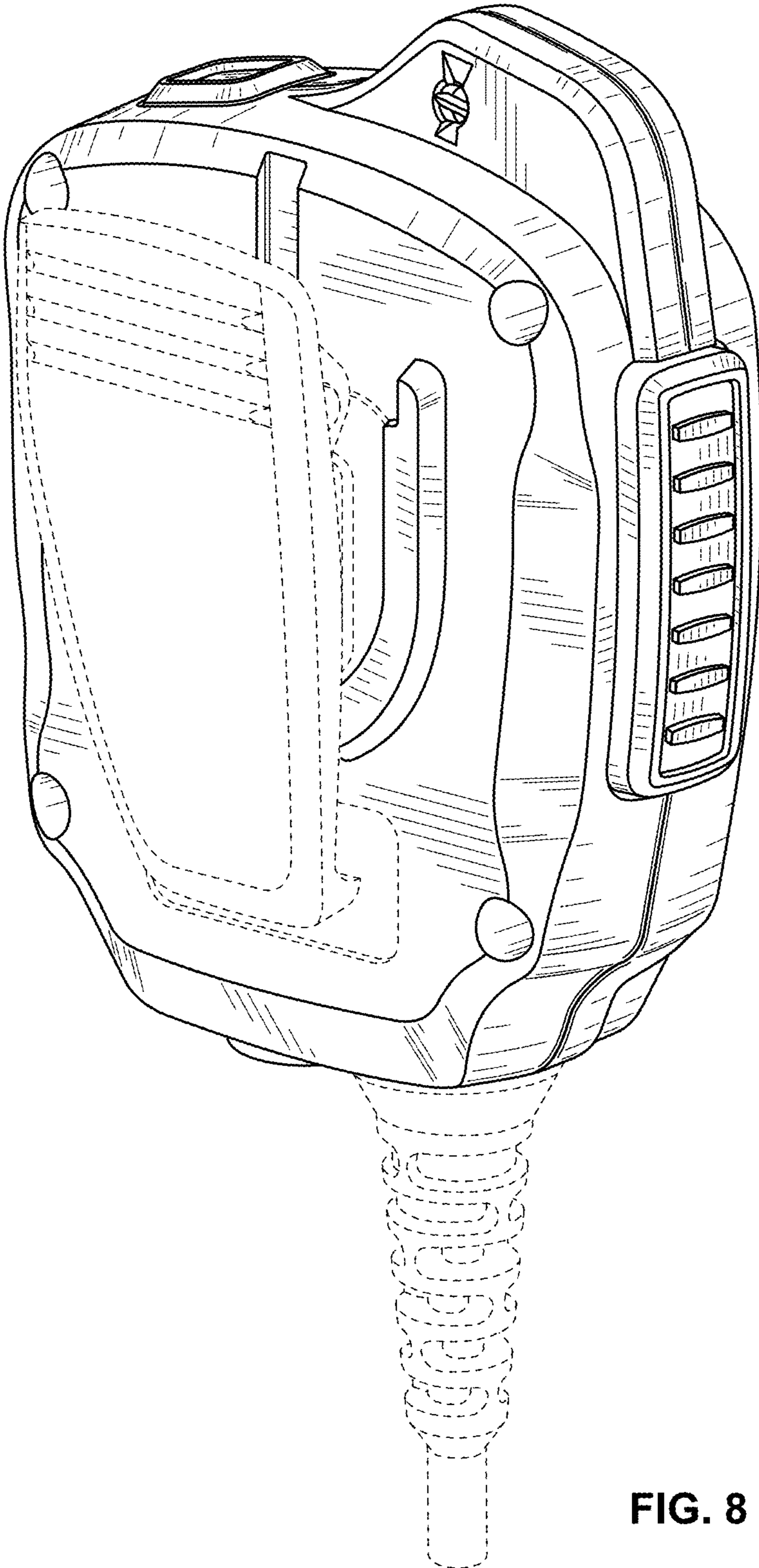


FIG. 8