



US00D743949S

(12) **United States Design Patent**  
**Miyake et al.**

(10) **Patent No.:** **US D743,949 S**

(45) **Date of Patent:** **\*\* Nov. 24, 2015**

(54) **EARPHONE**

(71) Applicant: **YAMAHA CORPORATION**,  
Hamamatsu-shi, Shizuoka (JP)

(72) Inventors: **Kazushige Miyake**, Tokyo (JP);  
**Mitsuru Hosoo**, Tokyo (JP)

(73) Assignee: **YAMAHA CORPORATION**, Shizuoka  
(JP)

(\*\*) Term: **14 Years**

(21) Appl. No.: **29/509,484**

(22) Filed: **Nov. 18, 2014**

(30) **Foreign Application Priority Data**

May 19, 2014 (JP) ..... 2014-010564

(51) **LOC (10) CL.** ..... **14-01**

(52) **U.S. Cl.**  
USPC ..... **D14/223**

(58) **Field of Classification Search**  
USPC ..... D14/223, 205; D24/174; 181/129, 130,  
181/135; 379/430, 431; 381/322, 328, 338,  
381/379, 380, 381

CPC ..... H04R 1/10  
See application file for complete search history.

(56) **References Cited**

**U.S. PATENT DOCUMENTS**

D213,109 S \* 1/1969 Young ..... D24/174  
4,069,400 A \* 1/1978 Johanson et al. .... 381/324  
D266,271 S \* 9/1982 Johanson et al. .... D24/174  
D338,530 S \* 8/1993 Oberlander ..... D24/174

D367,113 S \* 2/1996 Weeks ..... D24/174  
D470,836 S \* 2/2003 Amae et al. .... D14/223  
D512,049 S \* 11/2005 Yang ..... D14/223  
D550,657 S \* 9/2007 Gan et al. .... D14/223  
D554,109 S \* 10/2007 Ledbetter et al. .... D14/223  
D566,099 S \* 4/2008 Komiyama ..... D14/206  
D631,470 S \* 1/2011 Yoneyama et al. .... D14/223  
D666,581 S \* 9/2012 Perez ..... D14/223  
D673,140 S \* 12/2012 Kelly et al. .... D14/223  
D673,531 S \* 1/2013 Lee et al. .... D14/223  
D698,026 S \* 1/2014 Kuwata et al. .... D24/174  
8,666,085 B2 \* 3/2014 Donaldson et al. .... 381/71.6  
8,774,434 B2 \* 7/2014 Zhao et al. .... 381/328  
D711,356 S \* 8/2014 Yang ..... D14/223  
D732,509 S \* 6/2015 Brunner et al. .... D14/223  
2004/0101151 A1 \* 5/2004 Webber ..... 381/328

\* cited by examiner

*Primary Examiner* — Paula Greene

(74) *Attorney, Agent, or Firm* — Sughrue Mion, PLLC

(57) **CLAIM**

The ornamental design for an earphone, as shown and described.

**DESCRIPTION**

FIG. 1 is a perspective view of the front, top and right side of an earphone showing our new design;

FIG. 2 is a front view thereof;

FIG. 3 is a rear view thereof;

FIG. 4 is a left side view thereof;

FIG. 5 is a top plan view thereof; and,

FIG. 6 is a bottom view thereof.

The right side view is a mirror image of the left side view.

The broken lines shown are included for the purpose of illustrating the unclaimed portions of an earphone and form no part of the claimed design.

**1 Claim, 6 Drawing Sheets**

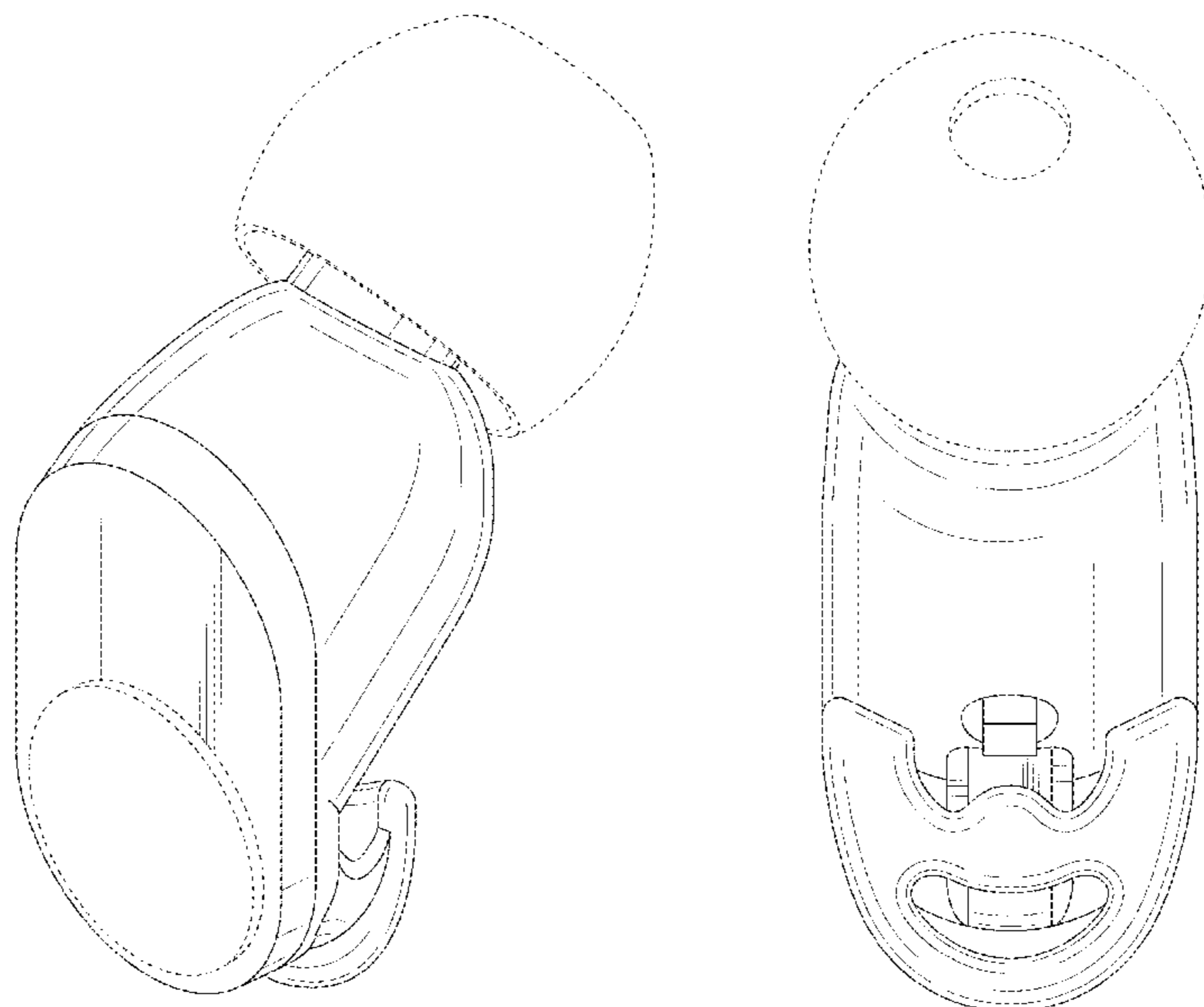


Fig. 1

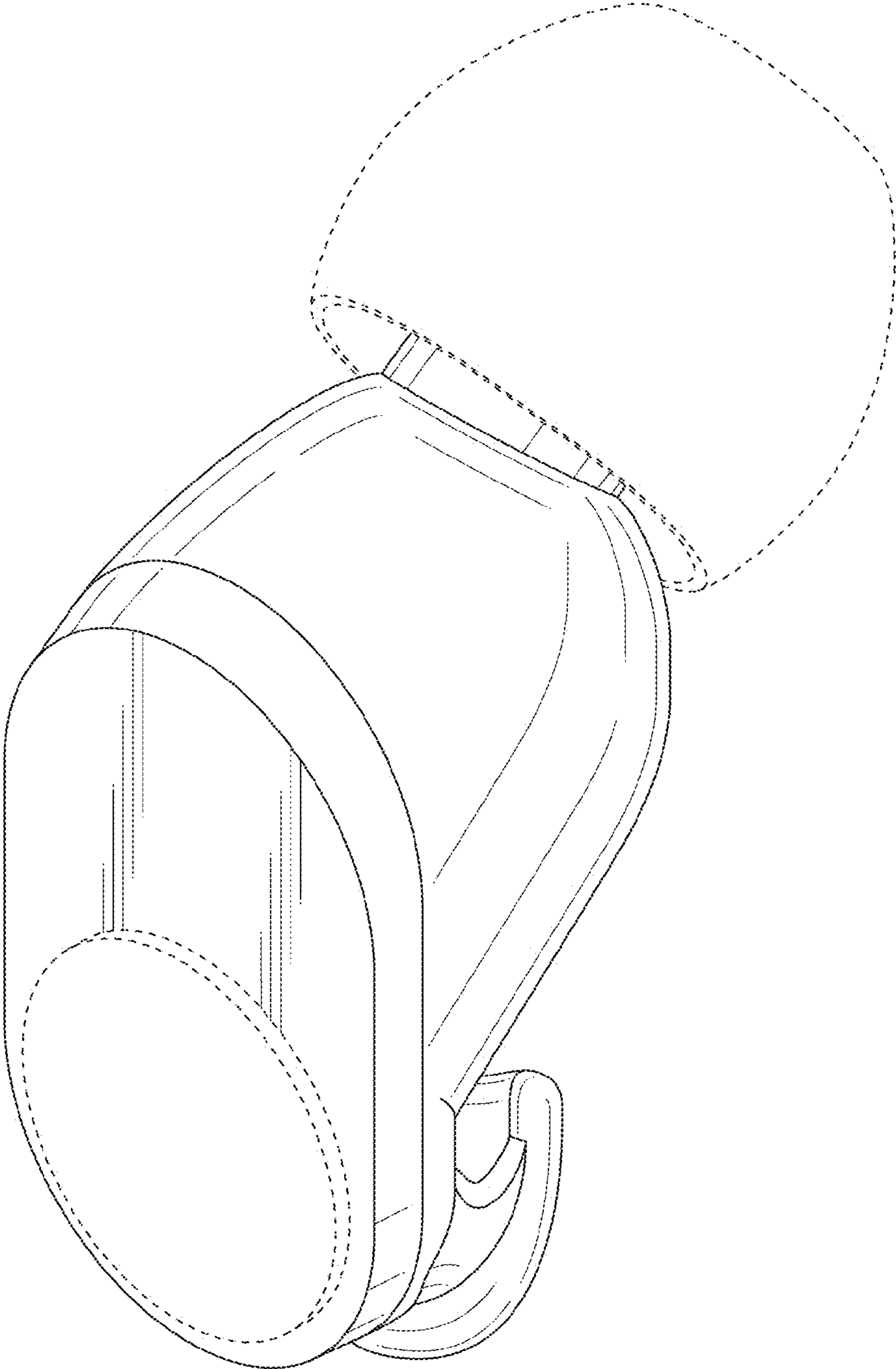


Fig. 2

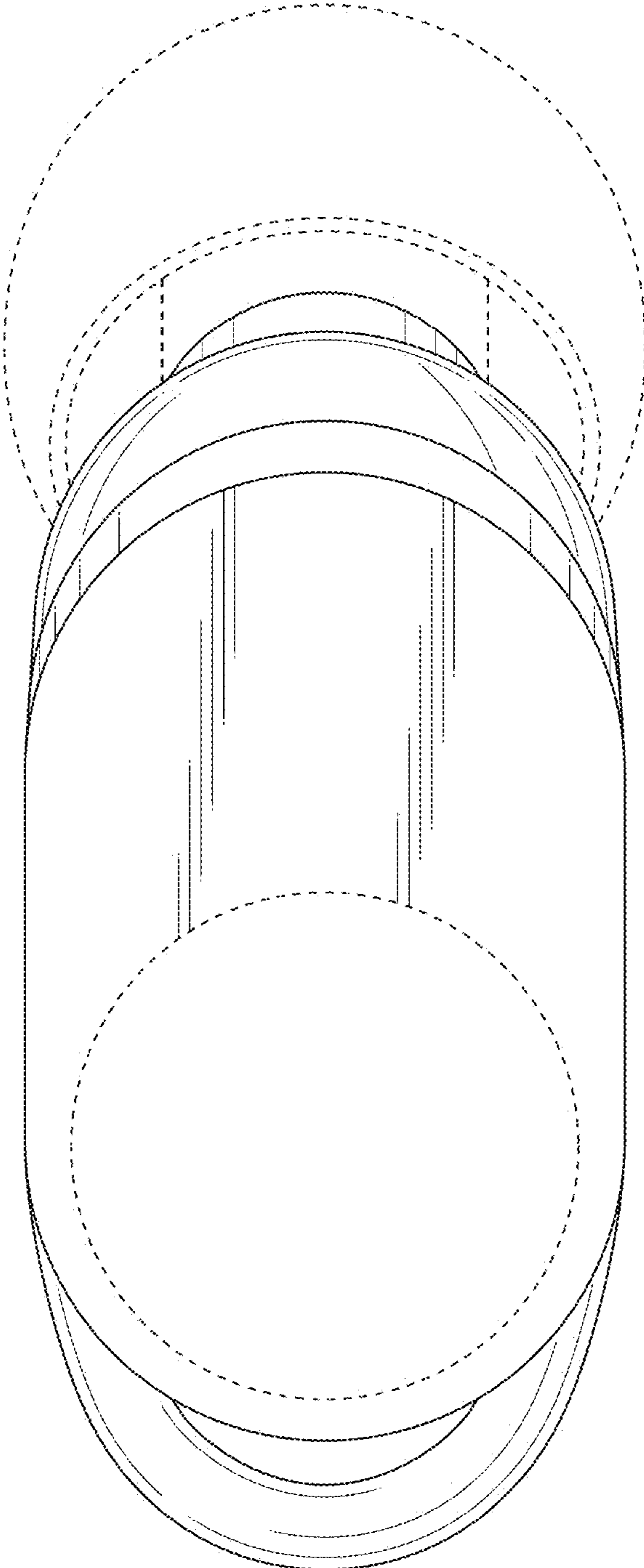


Fig. 3

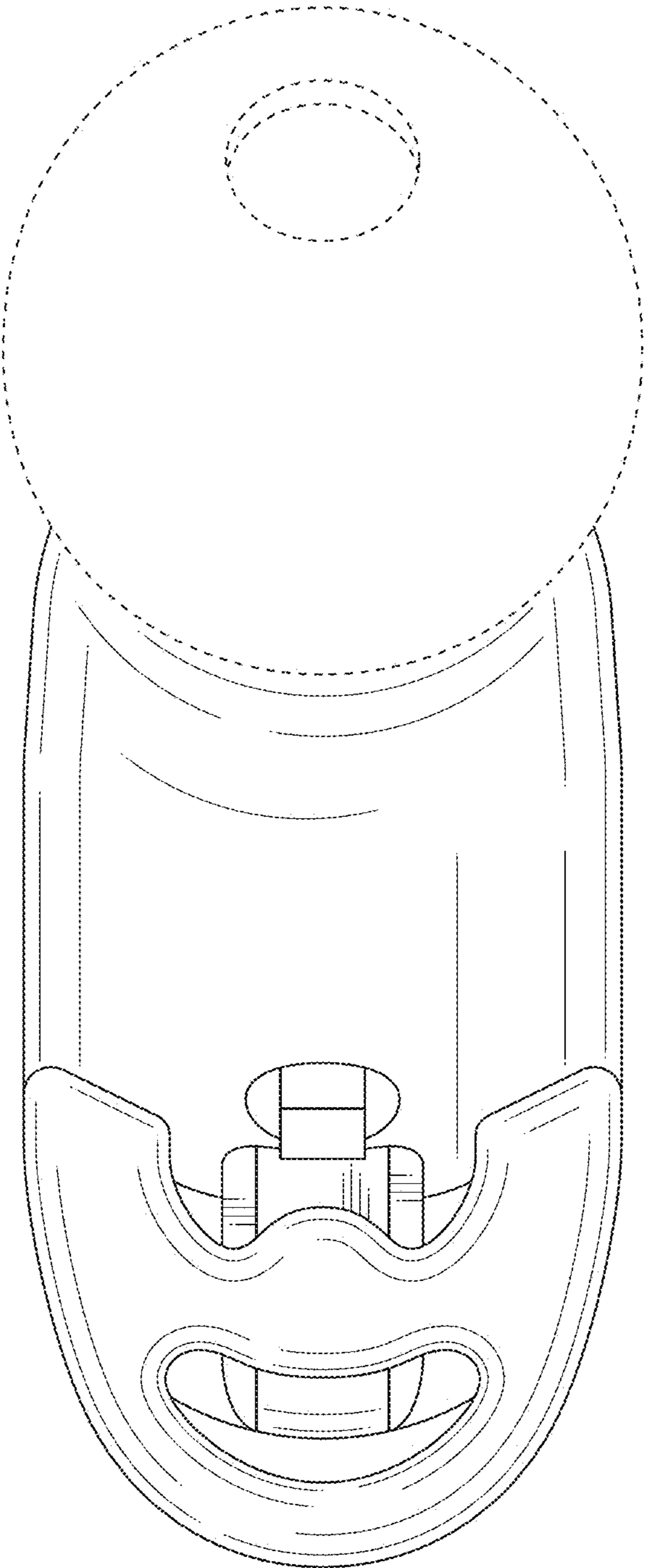


Fig. 4

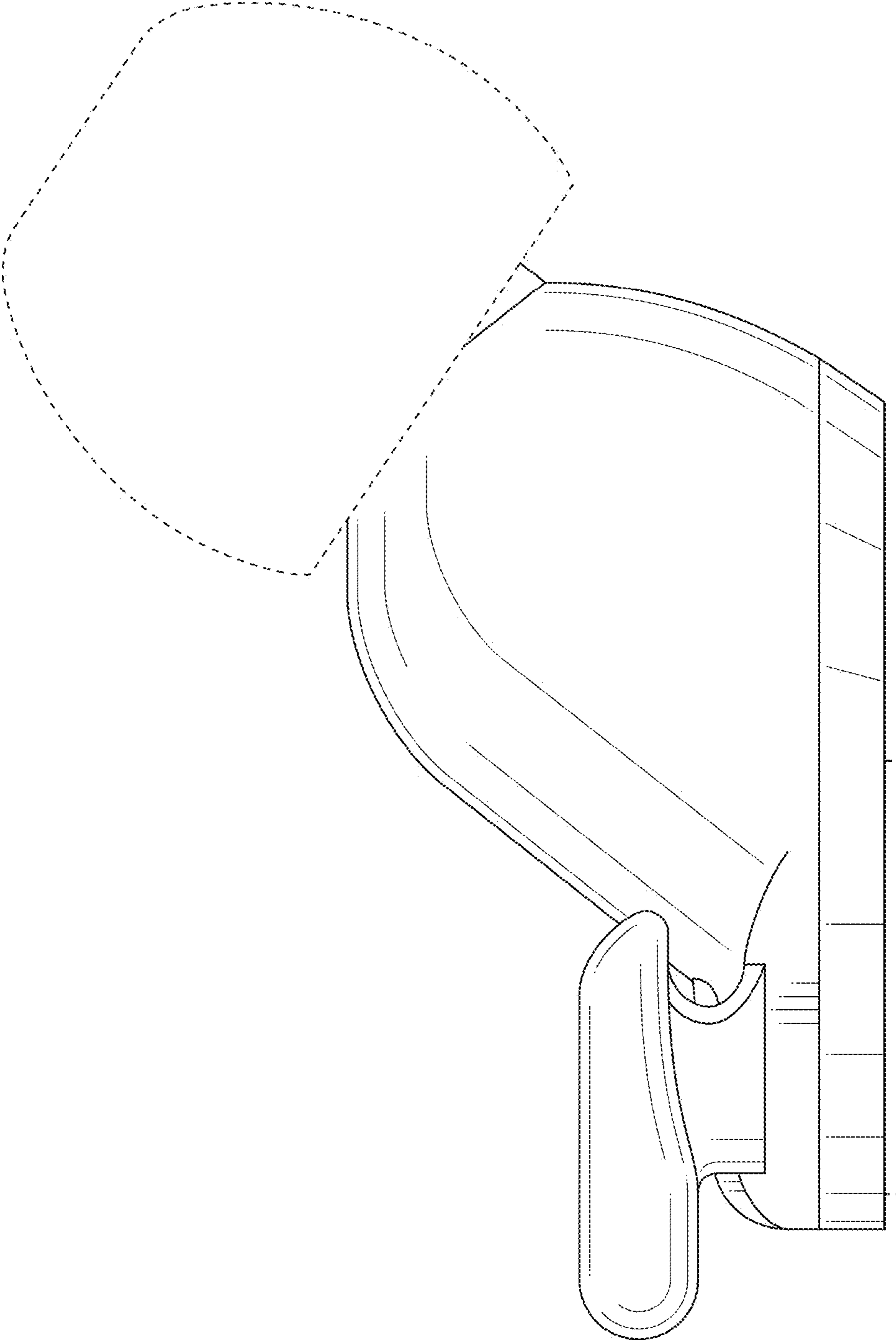


Fig. 5

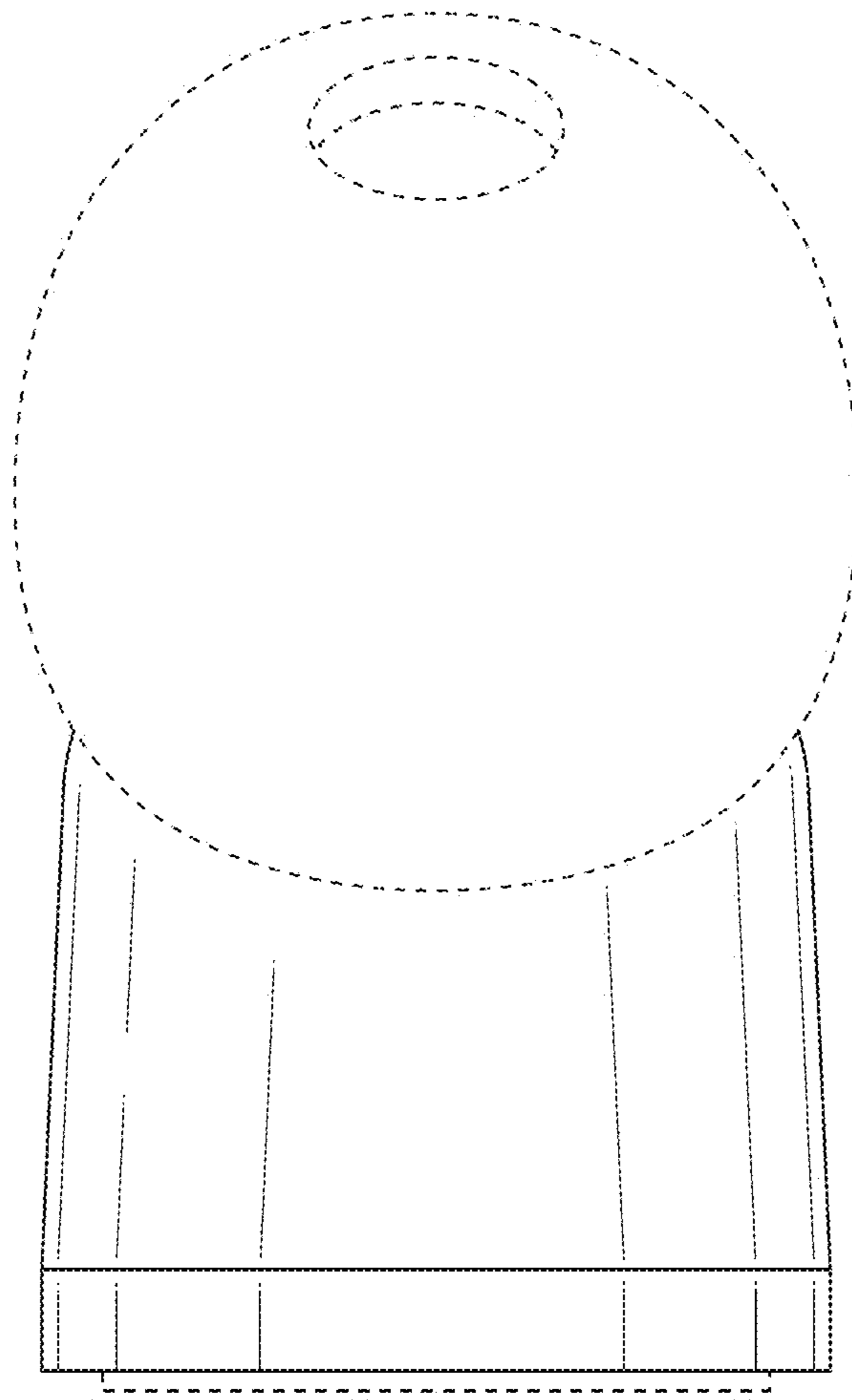


Fig. 6

