



US00D743948S

(12) **United States Design Patent**
Crawford et al.

(10) **Patent No.:** **US D743,948 S**
(45) **Date of Patent:** **** Nov. 24, 2015**

- (54) **PAIR OF EARBUDS**
- (71) Applicant: **JLab, LLC**, Frisco, TX (US)
- (72) Inventors: **Reed Patrick Crawford**, San Diego, CA (US); **Winthrop Cramer**, Carlsbad, CA (US)
- (73) Assignee: **Peag, LLC**, Oceanside, CA (US)
- (**) Term: **14 Years**
- (21) Appl. No.: **29/508,722**
- (22) Filed: **Nov. 10, 2014**
- (51) **LOC (10) Cl.** **14-01**
- (52) **U.S. Cl.**
USPC **D14/223; D14/205**
- (58) **Field of Classification Search**
USPC D14/205, 223; 181/129, 130, 135;
379/430, 431; 381/380, 381, 372, 382;
455/90.3, 575.1
CPC H04R 1/10
See application file for complete search history.

D652,822 S *	1/2012	Lee et al.	D14/223
D668,632 S *	10/2012	Enquist	D14/205
8,422,717 B2 *	4/2013	Lin et al.	381/372
D687,021 S	7/2013	Yuen		
D689,471 S	9/2013	Hardi et al.		
D693,326 S *	11/2013	Takeo	D14/205
D695,724 S *	12/2013	Ishikura	D14/223
8,712,087 B2 *	4/2014	Ozawa	381/380
D705,757 S *	5/2014	Yashiro	D14/223

* cited by examiner

Primary Examiner — Paula Greene

(74) *Attorney, Agent, or Firm* — LambentIP

(57) **CLAIM**

The ornamental design for a pair of earbuds, as shown and described.

DESCRIPTION

FIG. 1 is a perspective view of the left and right earbuds of a pair of earbuds showing our design.

FIG. 2 is a front view of the right earbud, the front view of the left earbud being a mirror image thereof.

FIG. 3 is a rear view of the right earbud, the rear view of the left earbud being a mirror image thereof.

FIG. 4 is a right side view of the right earbud, the left side view of the left earbud being a mirror image thereof.

FIG. 5 is a left side view of the right earbud, the right side view of the left earbud being a mirror image thereof.

FIG. 6 is a top view of the right earbud, the top view of the left earbud being a mirror image thereof; and,

FIG. 7 is a bottom view of the right earbud, the bottom view of the left earbud being a mirror image thereof.

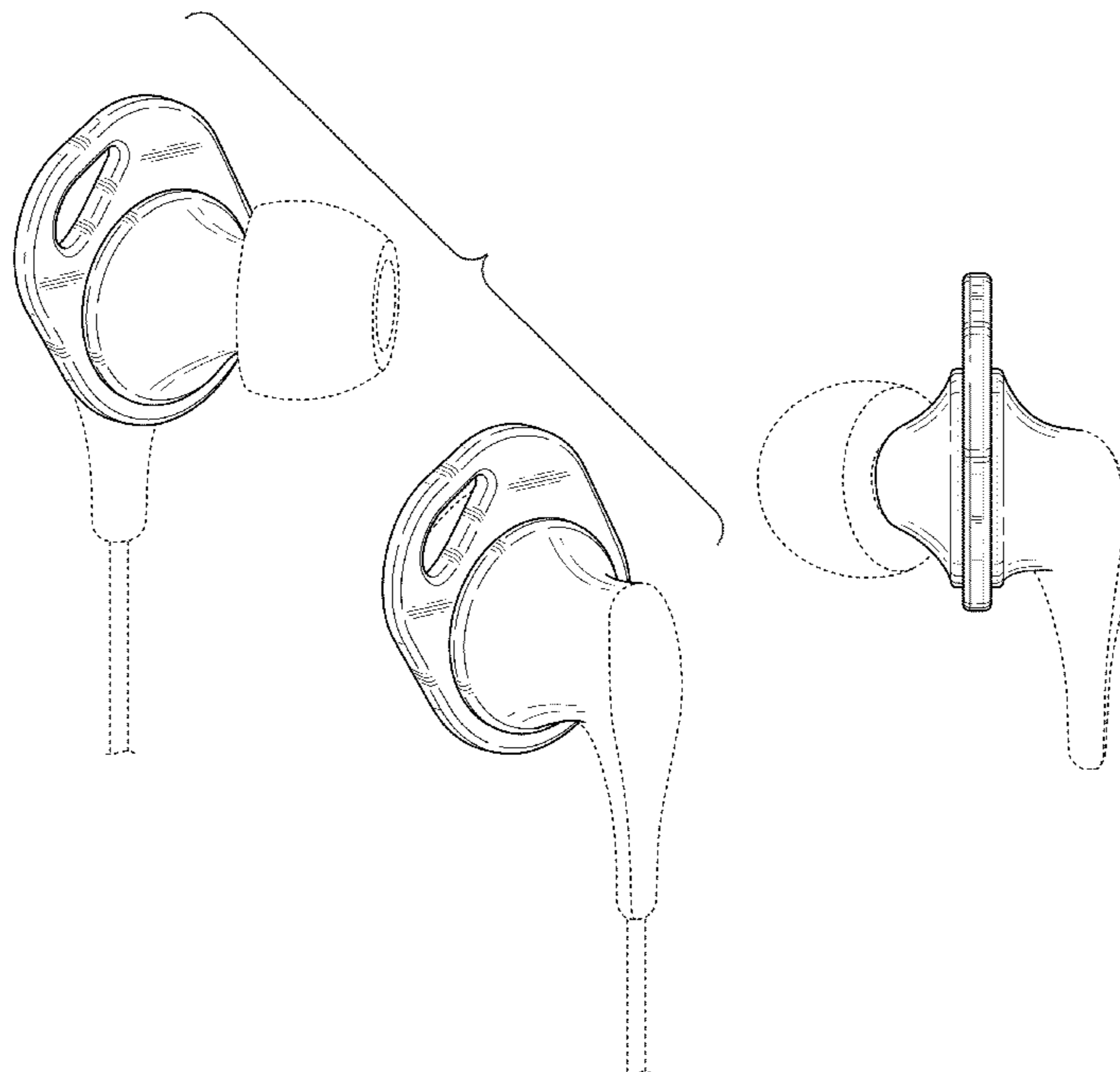
The broken lines showing the environment in FIGS. 1-7 are included for illustrative purposes only and form no part of the claimed design.

(56) **References Cited**

U.S. PATENT DOCUMENTS

2,430,229 A *	11/1947	Kelsey	381/338
D469,755 S *	2/2003	Hlas et al.	D14/223
D470,122 S *	2/2003	Hlas et al.	D14/205
D470,123 S *	2/2003	Hlas et al.	D14/205
D494,568 S *	8/2004	Pan	D14/223
D511,768 S *	11/2005	Naito et al.	D14/223
D557,689 S *	12/2007	Huang	D14/223
D589,493 S *	3/2009	Densho	D14/206
D622,704 S *	8/2010	Fahrendorff et al.	D14/223
D626,117 S *	10/2010	Lowry	D14/223
D641,010 S *	7/2011	Kwon	D14/223

1 Claim, 4 Drawing Sheets



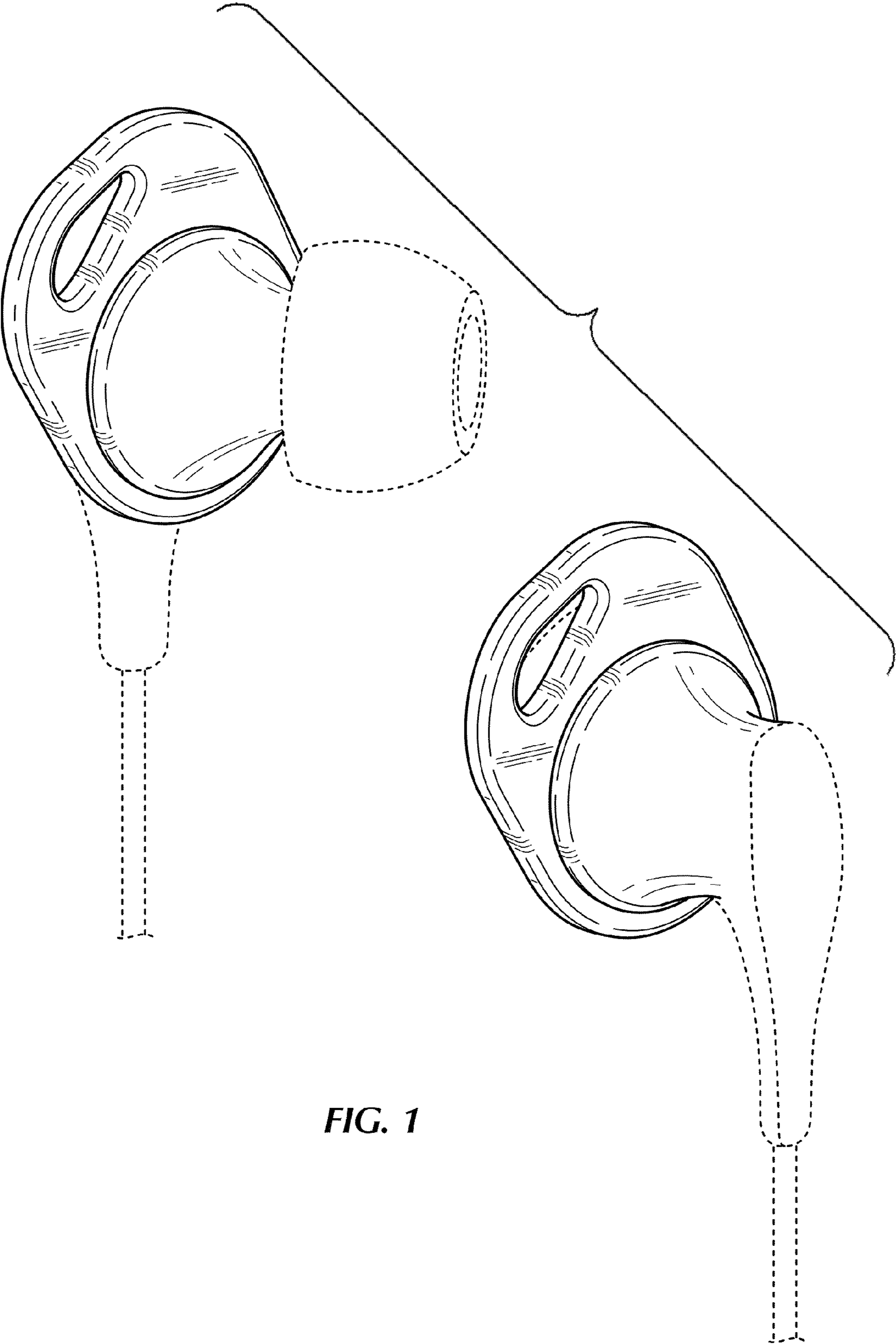


FIG. 1

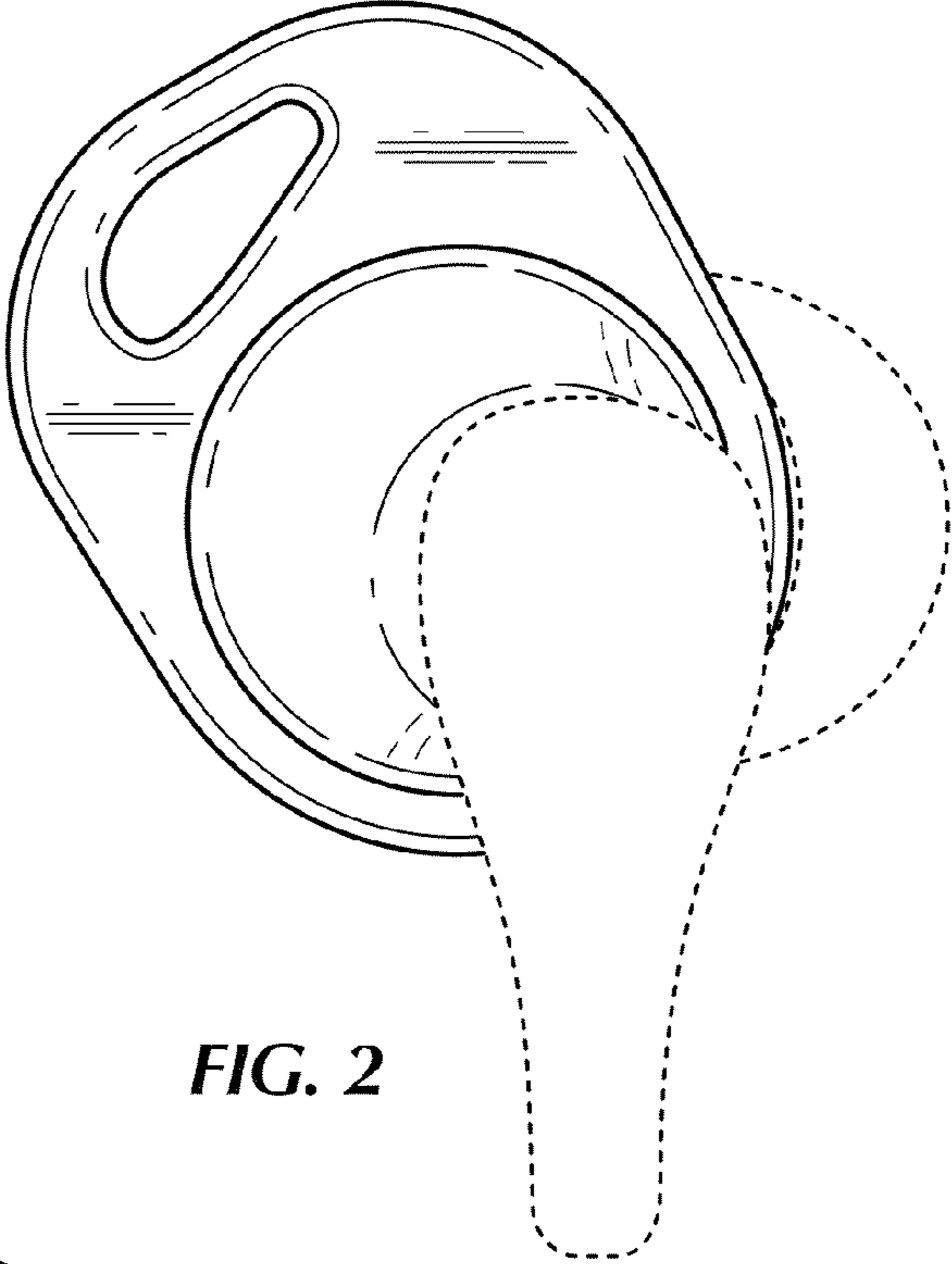


FIG. 2

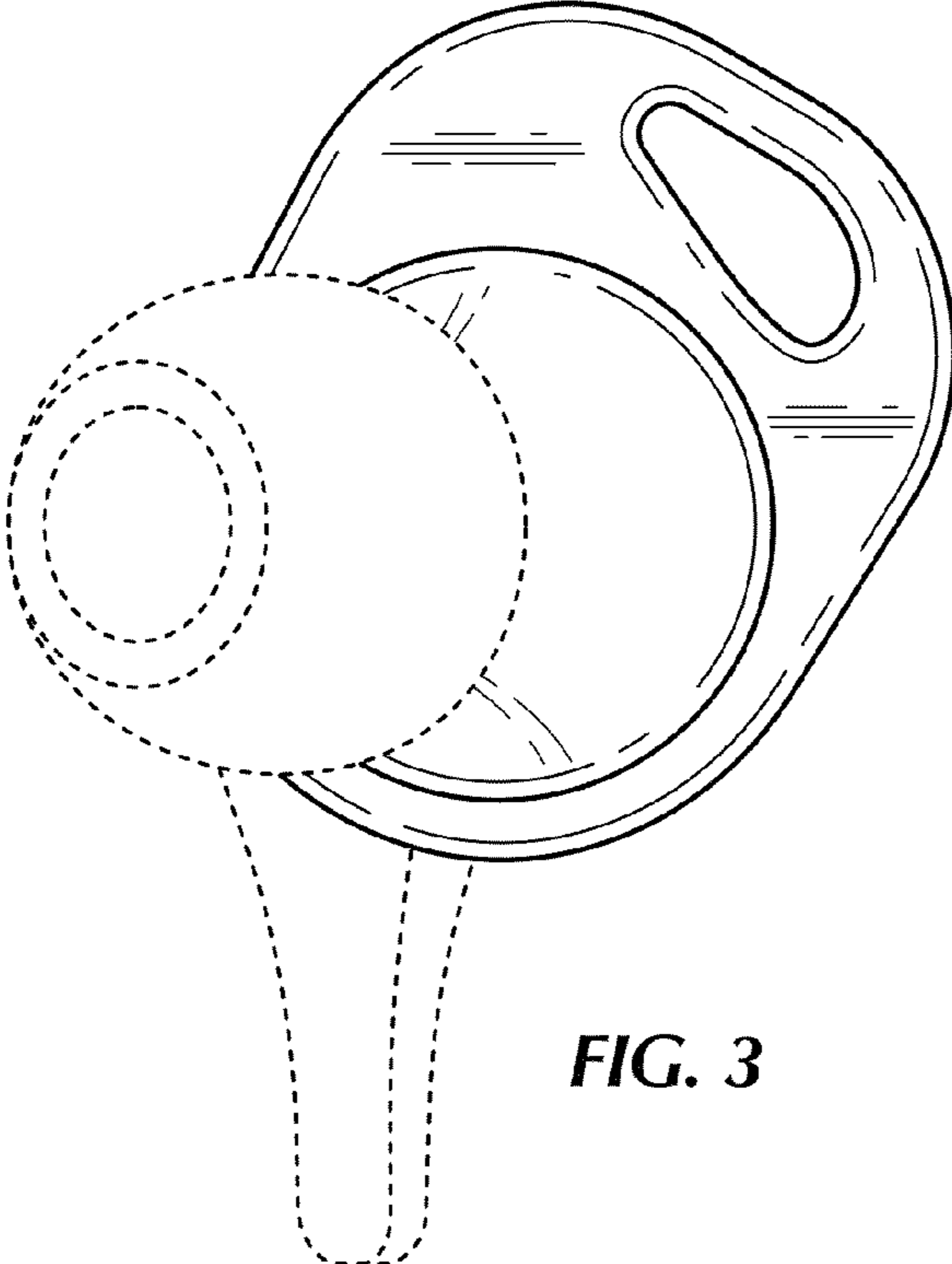


FIG. 3

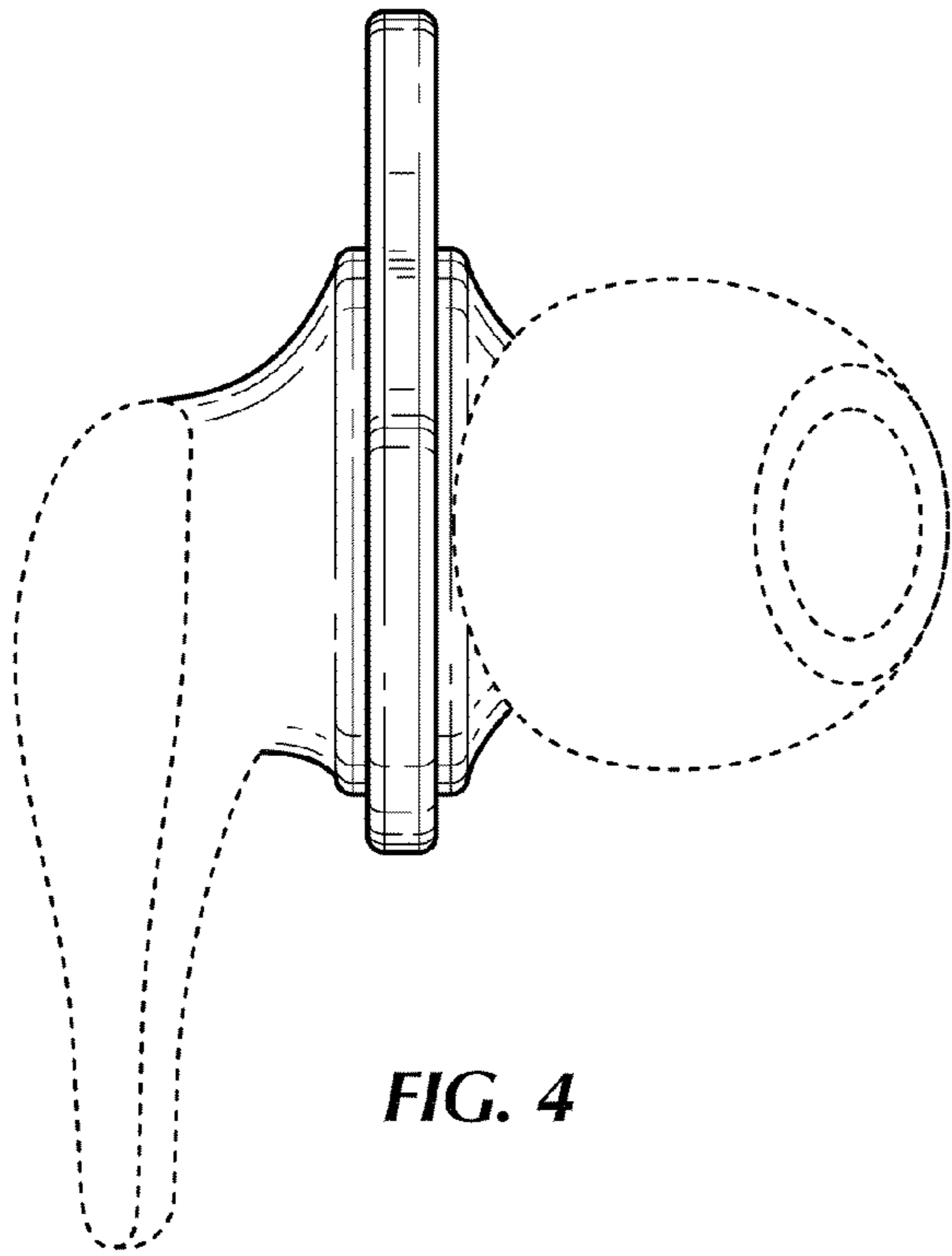


FIG. 4

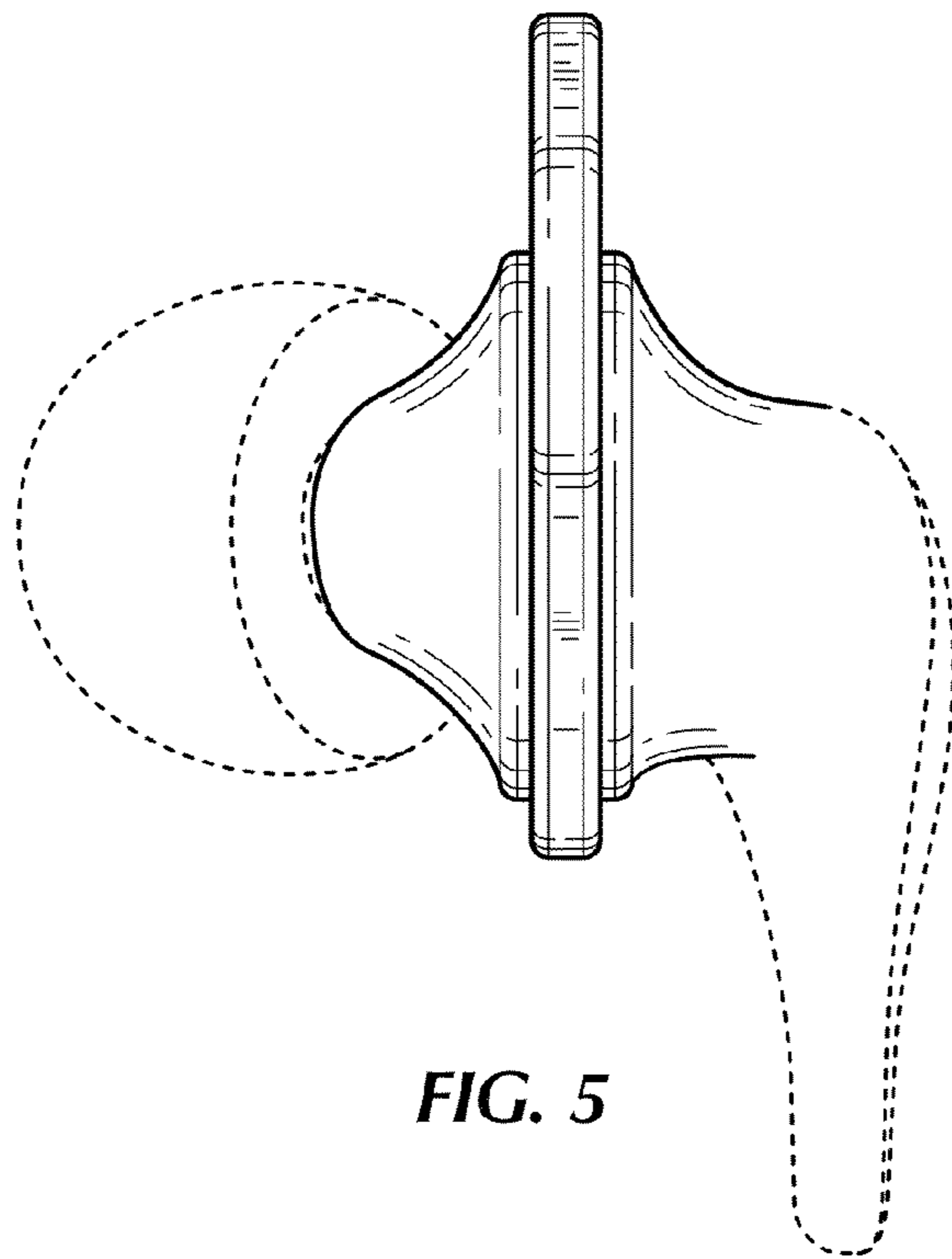


FIG. 5

