



US00D743945S

(12) **United States Design Patent**
Brunner et al.

(10) **Patent No.:** **US D743,945 S**
(45) **Date of Patent:** **** *Nov. 24, 2015**

- (54) **AUDIO LISTENING SYSTEM**
- (71) Applicant: **Apple Inc.**, Cupertino, CA (US)
- (72) Inventors: **Robert Brunner**, San Francisco, CA (US); **Christopher Kuh**, San Francisco, CA (US); **Achille Biteau**, San Francisco, CA (US)
- (73) Assignee: **Apple Inc.**, Cupertino, CA (US)
- (*) Notice: This patent is subject to a terminal disclaimer.
- (**) Term: **14 Years**
- (21) Appl. No.: **29/490,932**
- (22) Filed: **May 15, 2014**
- (51) **LOC (10) Cl.** **14-01**
- (52) **U.S. Cl.**
USPC **D14/223**
- (58) **Field of Classification Search**
USPC D14/223; 181/129, 130, 135; 379/430, 379/431; 381/380, 381; 455/90.3, 575.1
CPC H04R 1/10
See application file for complete search history.

(56) **References Cited**

U.S. PATENT DOCUMENTS

5,210,792	A *	5/1993	Kajihara	379/430
D421,755	S *	3/2000	Pitel	D14/240
6,101,260	A *	8/2000	Jensen et al.	381/381
D443,261	S *	6/2001	Yuyama	D14/223
D460,749	S *	7/2002	Liu	D14/206
6,427,018	B1 *	7/2002	Keliiliki	381/381
D471,889	S *	3/2003	Rath et al.	D14/205
6,771,790	B2 *	8/2004	Liu	381/385
D501,196	S *	1/2005	Dyer et al.	D14/205
6,868,284	B2 *	3/2005	Bae	455/575.2
D510,085	S *	9/2005	Suzuki	D14/223
D510,575	S *	10/2005	Leong	D14/223

D528,531	S *	9/2006	Rose et al.	D14/138 R
D542,267	S *	5/2007	Cha et al.	D14/206
D543,968	S *	6/2007	Wong	D14/205
7,231,056	B2 *	6/2007	Chen	381/381
D556,735	S *	12/2007	Yeo et al.	D14/206
D575,772	S *	8/2008	Schultz et al.	D14/223
D593,075	S *	5/2009	Williams et al.	D14/223
D597,084	S *	7/2009	Gondo	D14/223
D601,126	S *	9/2009	Christopher et al.	D14/206
D603,847	S *	11/2009	Chung	D14/223
D606,048	S *	12/2009	Soetejo et al.	D14/223
7,648,005	B2 *	1/2010	Leong et al.	181/135
7,708,110	B2 *	5/2010	Leong et al.	181/135
D617,780	S *	6/2010	Jaakkola et al.	D14/223
D618,669	S *	6/2010	Johnson et al.	D14/223
D624,529	S *	9/2010	Huang	D14/223
7,841,446	B2 *	11/2010	Leong et al.	181/135
D631,470	S *	1/2011	Yoneyama et al.	D14/223

(Continued)

Primary Examiner — Paula Greene

(74) *Attorney, Agent, or Firm* — Sterne, Kessler, Goldstein & Fox P.L.L.C.

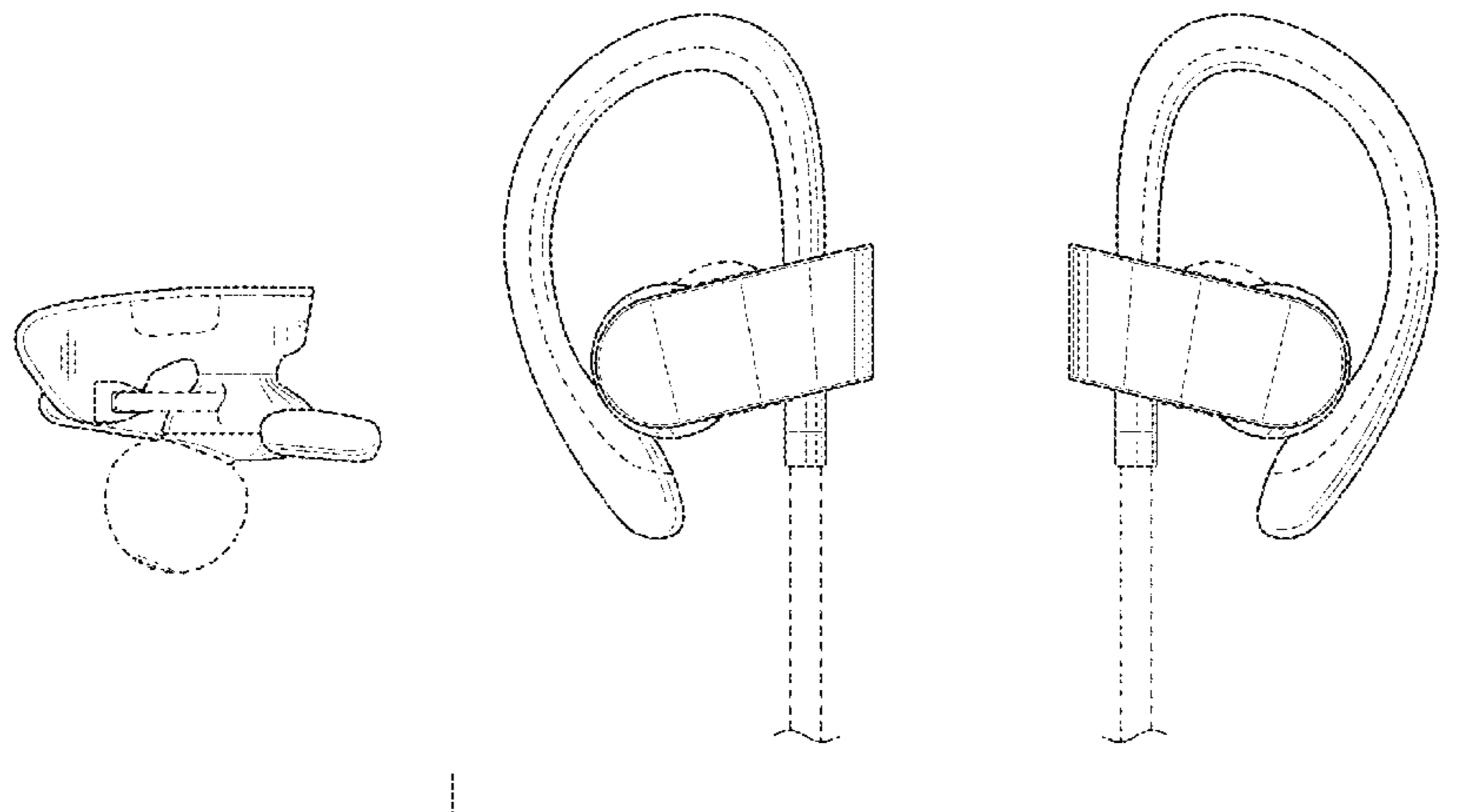
(57) **CLAIM**

The ornamental design for an audio listening system, as shown and described.

DESCRIPTION

FIG. 1 is a perspective view of an audio listening system showing our new design, one earpiece is shown separately for purposes of illustration;
 FIG. 2 is a front view thereof;
 FIG. 3 is a rear view thereof;
 FIG. 4 is a right side view thereof;
 FIG. 5 is a left side view thereof;
 FIG. 6 is a top view thereof;
 FIG. 7 is a bottom view thereof; and,
 FIG. 8 is a front view of an audio listening system with a pair of earpieces.
 The broken lines in the figures show portions of the audio listening system that form no part of the claimed design.

1 Claim, 3 Drawing Sheets



(56)

References Cited

U.S. PATENT DOCUMENTS

D635,960 S * 4/2011 Gondo et al. D14/223
8,090,135 B2 * 1/2012 Lin 381/381
8,265,328 B2 * 9/2012 Milde et al. 381/381
D686,196 S * 7/2013 Lee et al. D14/223
D695,275 S * 12/2013 Chee D14/223

D696,275 S * 12/2013 Tagliabue et al. D14/486
D699,213 S * 2/2014 Burgett et al. D14/205
D710,333 S * 8/2014 Davies et al. D14/223
D712,382 S * 9/2014 Brunner et al. D14/223
D713,385 S * 9/2014 Burgett et al. D14/223
D713,822 S * 9/2014 Paradise et al. D14/223
2013/0216087 A1 * 8/2013 MacDonald 381/381

* cited by examiner

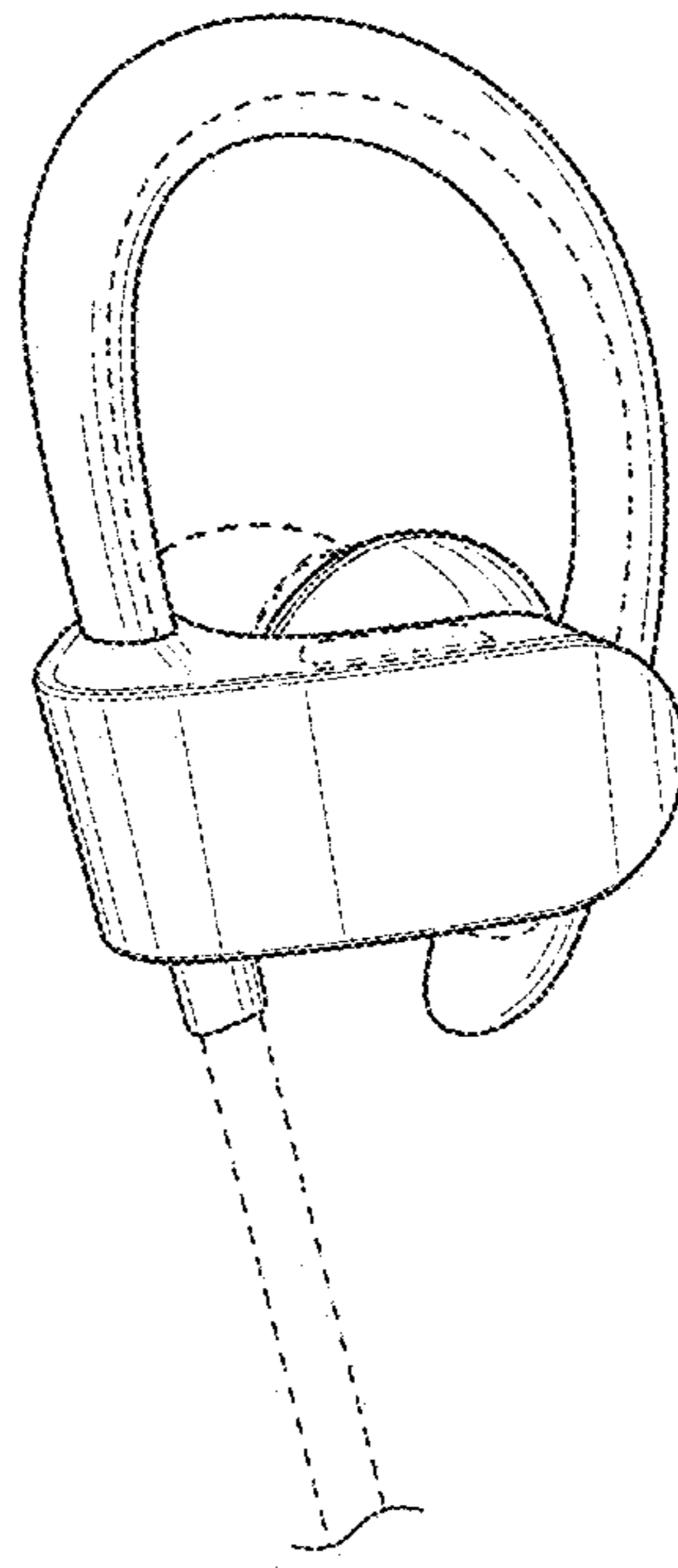


FIG. 1

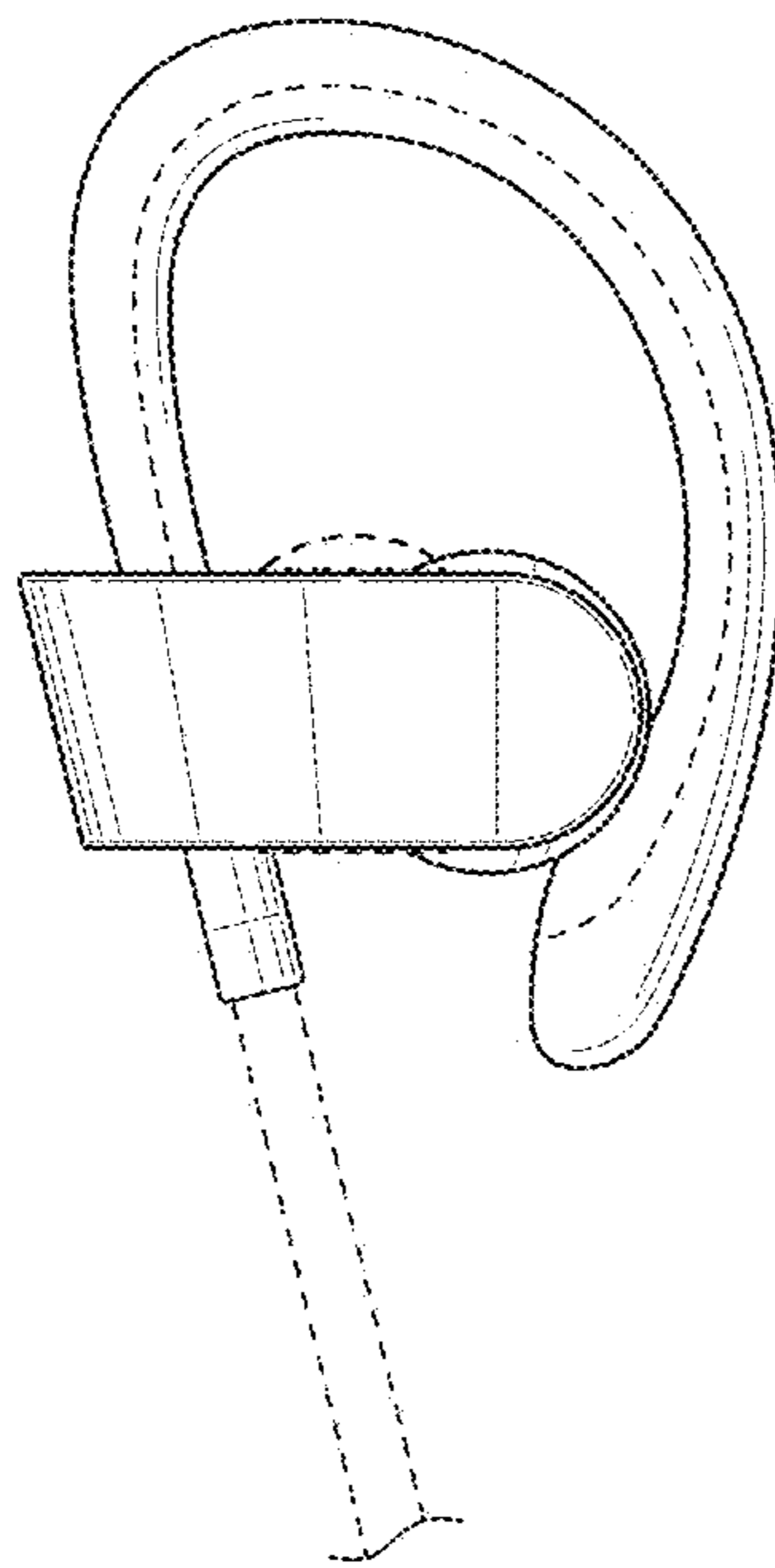


FIG. 2

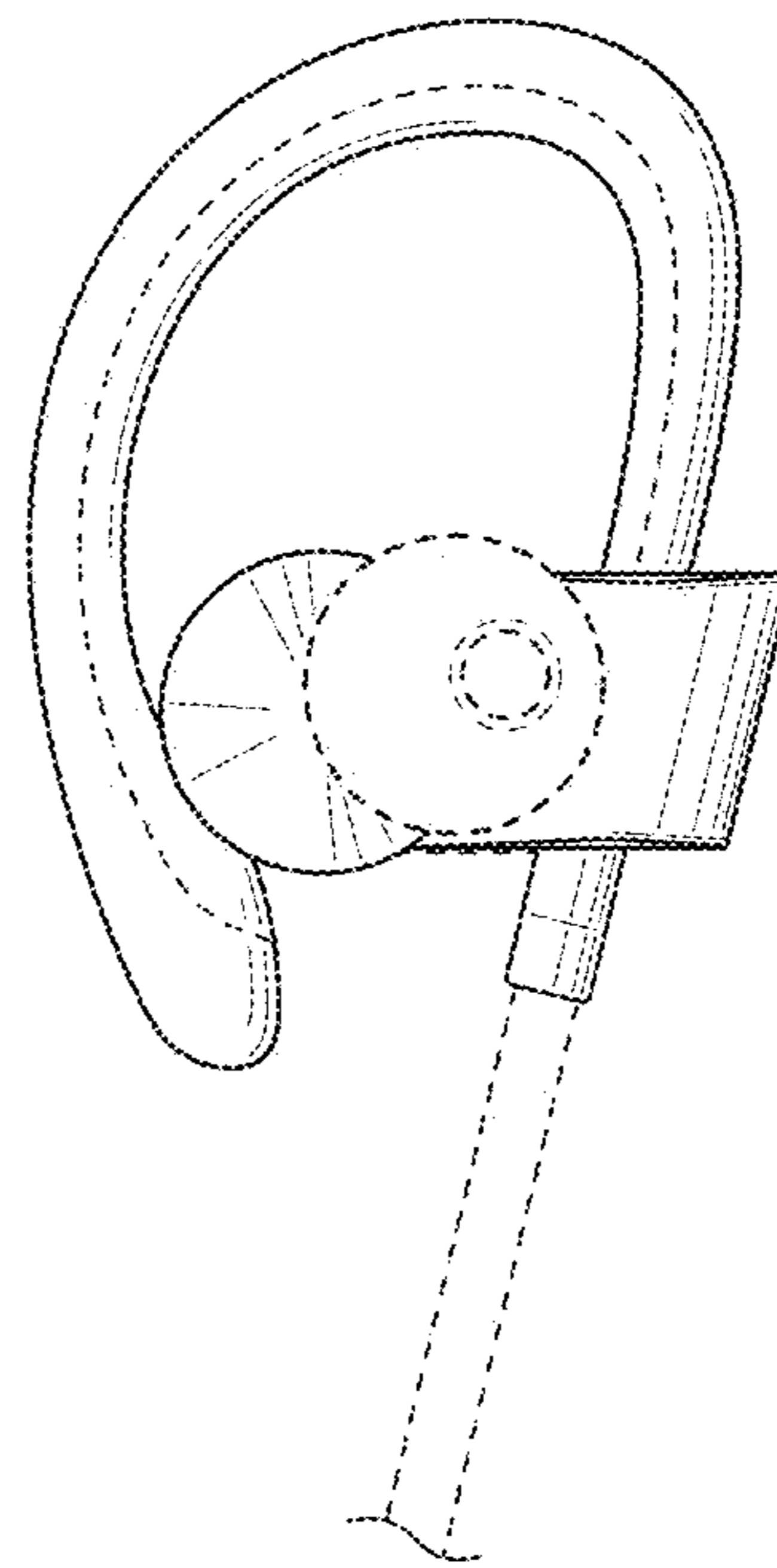


FIG. 3

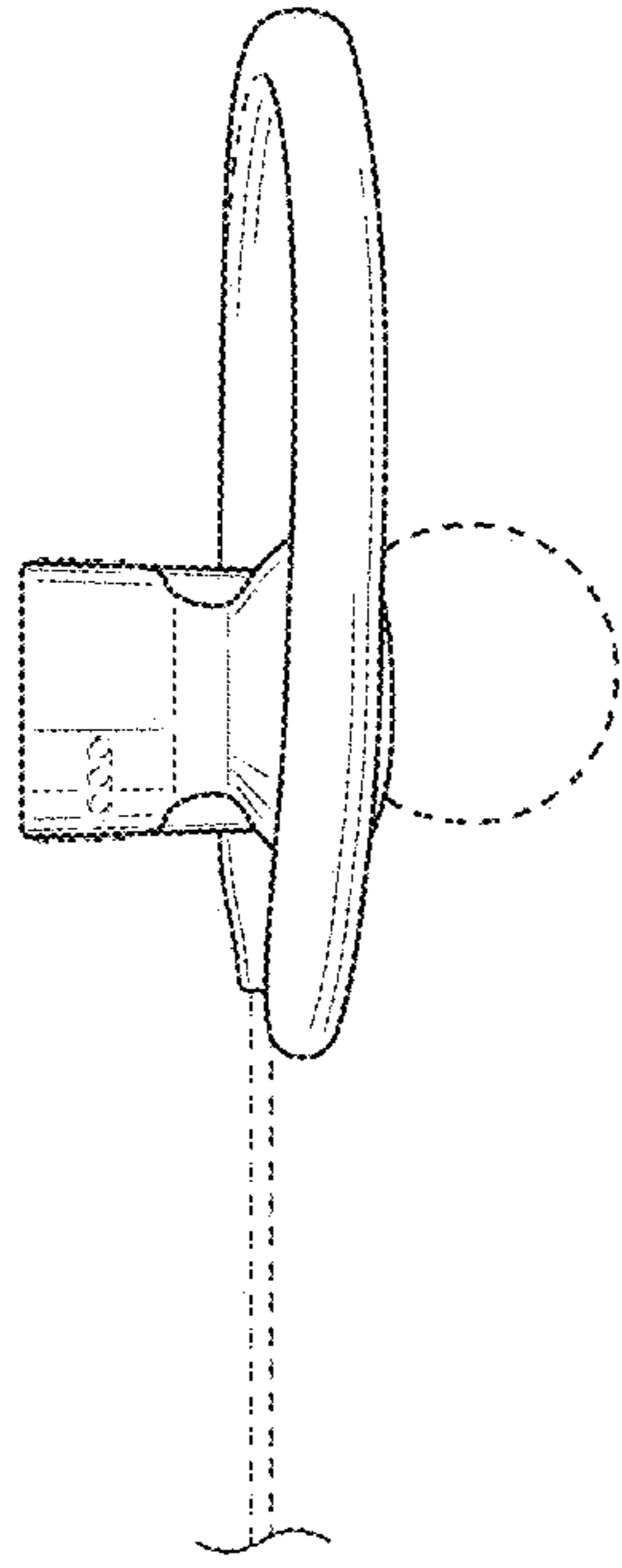


FIG. 4

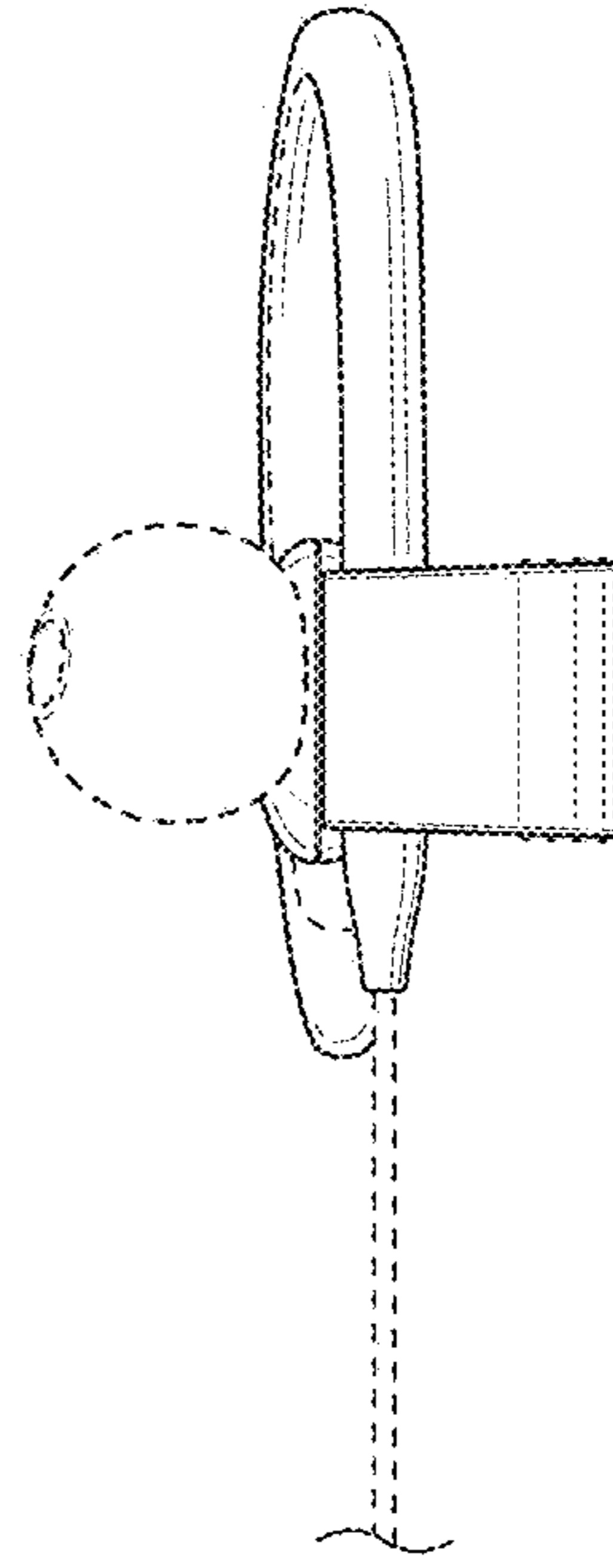


FIG. 5

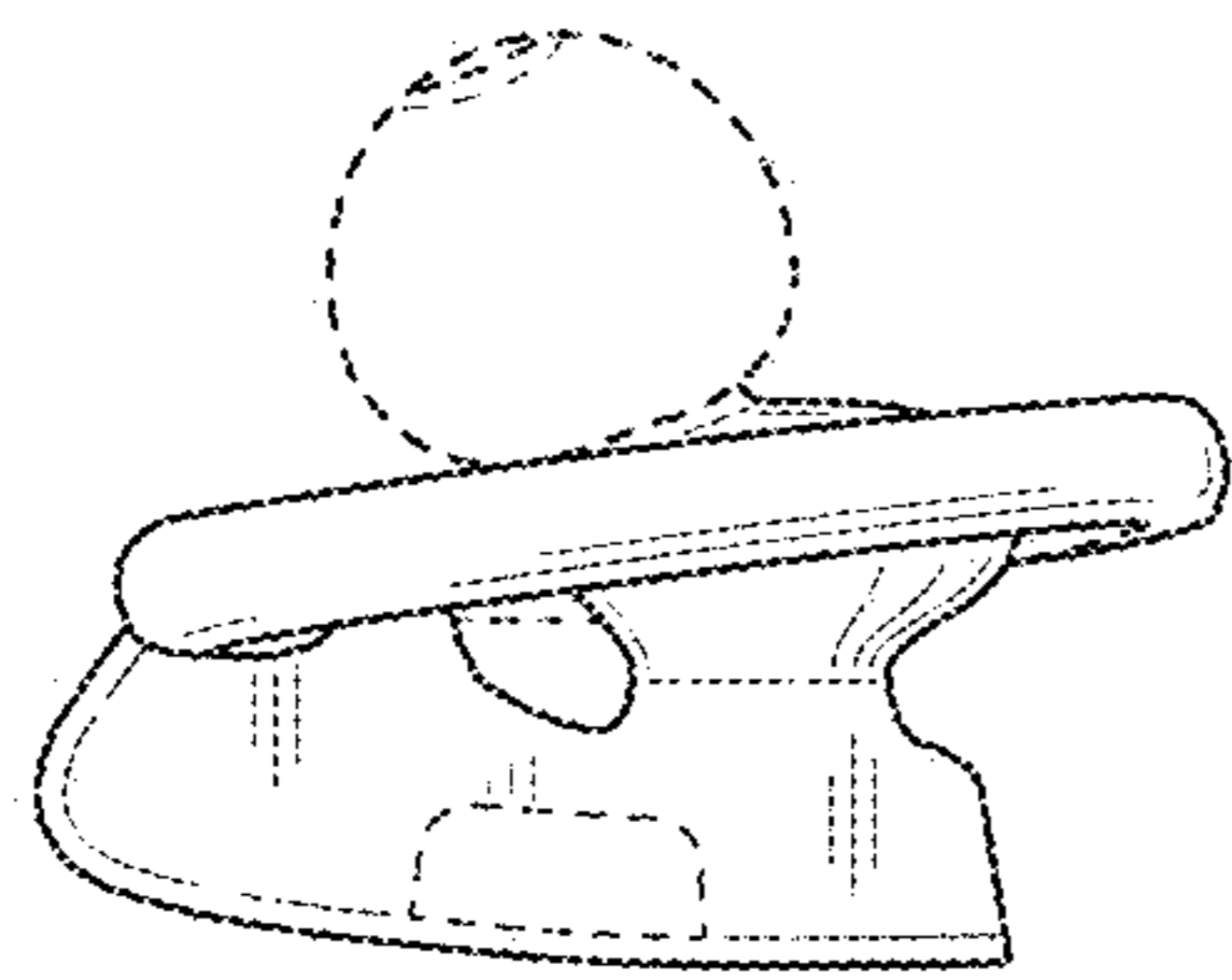


FIG. 6

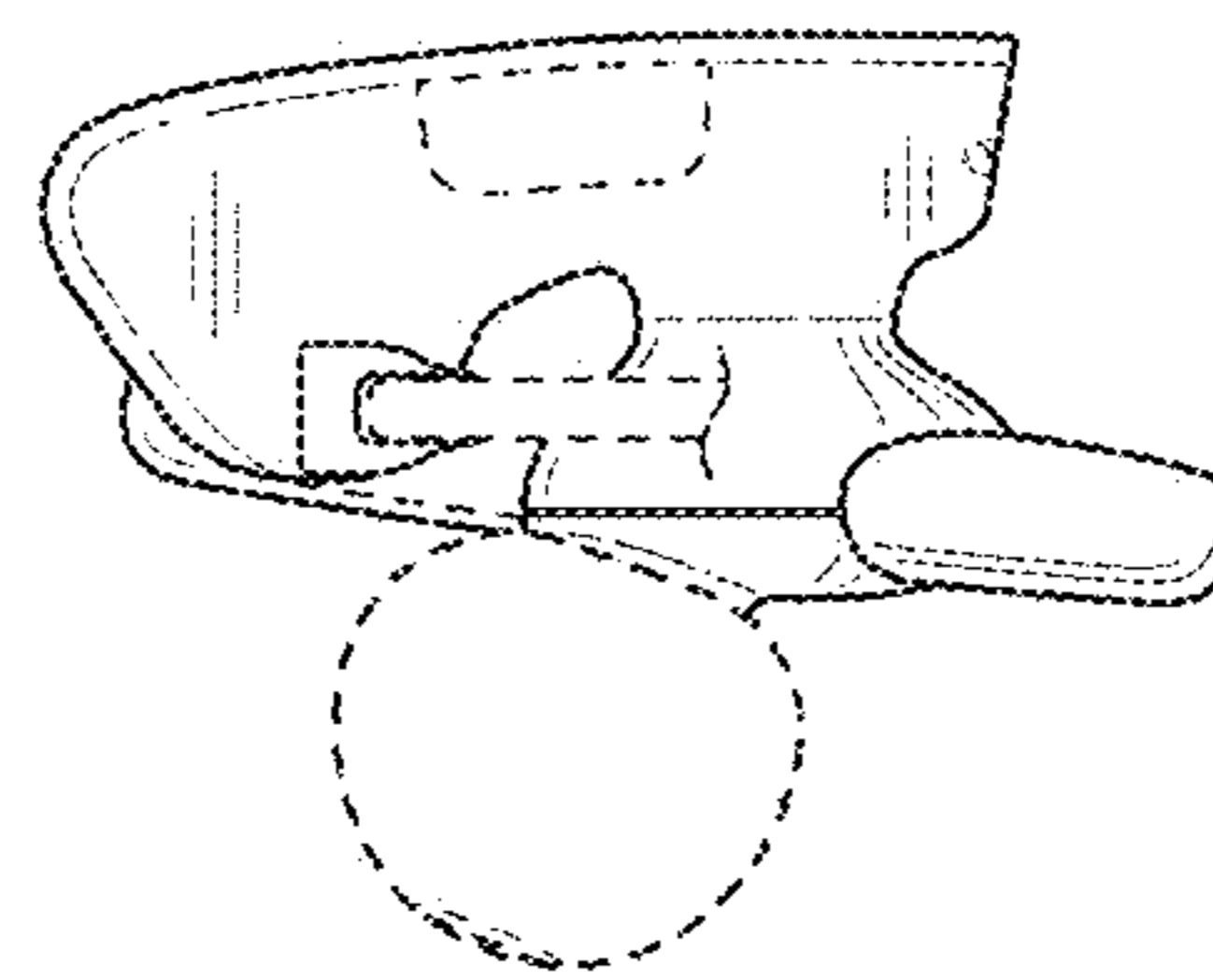


FIG. 7

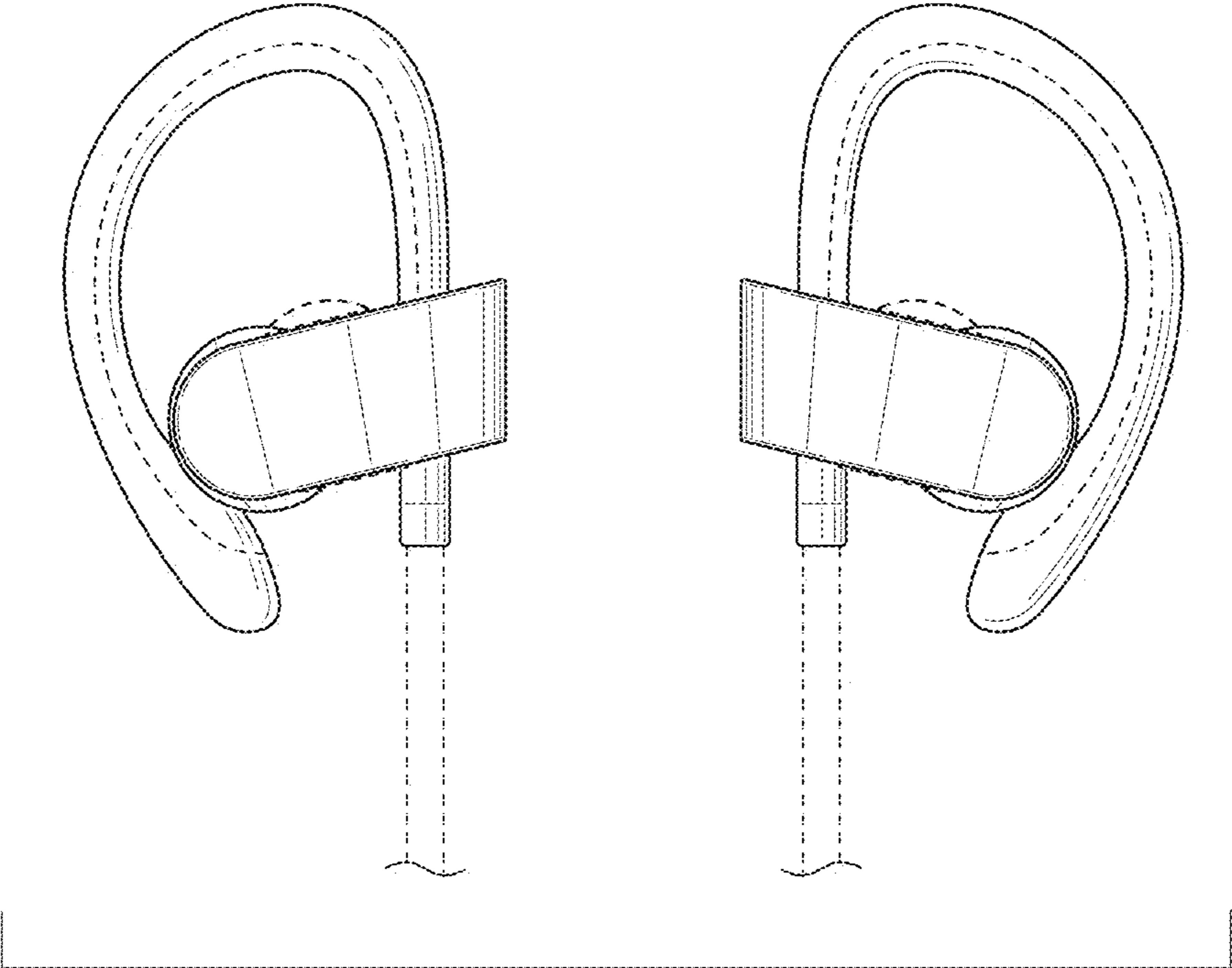


FIG. 8