



US00D743942S

(12) **United States Design Patent**
Tschetter et al.

(10) **Patent No.:** **US D743,942 S**

(45) **Date of Patent:** **** Nov. 24, 2015**

(54) **MIXER**

(56)

References Cited

(71) Applicant: **QSC Audio Products, LLC**, Costa Mesa, CA (US)

U.S. PATENT DOCUMENTS

(72) Inventors: **Gerald Tschetter**, Costa Mesa, CA (US); **Greg C. Mackie**, Kirkland, WA (US); **James A. Young, IV**, Costa Mesa, CA (US)

D434,407 S	11/2000	Mackie	
D435,250 S	12/2000	Mackie et al.	
D455,731 S	4/2002	Mackie et al.	
D573,587 S	7/2008	Amiya	
D593,544 S	6/2009	Iijima	
D643,410 S *	8/2011	Blyth et al.	D14/217
D662,914 S *	7/2012	Constin	D14/217
D663,352 S	7/2012	Park	
D691,986 S *	10/2013	Amiya	D14/217
D715,267 S *	10/2014	Tschetter et al.	D14/217
D721,353 S *	1/2015	Money et al.	D14/217

(**) Term: **14 Years**

(21) Appl. No.: **29/501,145**

(22) Filed: **Sep. 2, 2014**

* cited by examiner

Related U.S. Application Data

(63) Continuation of application No. 29/469,252, filed on Oct. 8, 2013, now Pat. No. Des. 715,267.

Primary Examiner — Daniel Bui

Assistant Examiner — Khawaja Anwar

(74) *Attorney, Agent, or Firm* — Perkins Coie LLP

(51) **LOC (10) Cl.** **14-03**

(52) **U.S. Cl.**
USPC **D14/217**

(57)

CLAIM

We claim the ornamental design for a mixer, as shown and described.

(58) **Field of Classification Search**

USPC D14/217, 257, 258, 434, 496, 162, 167, D14/175, 188, 196-198

CPC G06F 1/1626; G06F 1/1688; G10H 1/46; G10H 1/0008; G10H 1/0025; G10H 3/186; G10H 2210/125; G10H 2240/131; G10H 2240/175; G10H 2250/035; G10L 19/008; G10L 19/167; H03G 3/00; H03G 3/04; H03G 3/3005; H03G 3/3089; H03G 5/00; H03G 5/005; H03G 5/025; H03G 9/18; G11B 19/02; G11B 20/10527; G11B 27/00; G11B 27/34; G11B 27/031; G11B 27/034; G11B 27/038; G11B 27/105; G11B 33/025; H04H 3/186; H04H 60/04; H04H 60/05; H04H 60/91; H04R 3/00; H04R 3/005; H04R 5/04; H04R 2205/021; H04R 2499/11

See application file for complete search history.

DESCRIPTION

FIG. 1 is a front perspective view of a mixer, showing our new design;

FIG. 2 is a front elevation view thereof.

FIG. 3 is a back elevation view thereof.

FIG. 4 is a top plan view thereof.

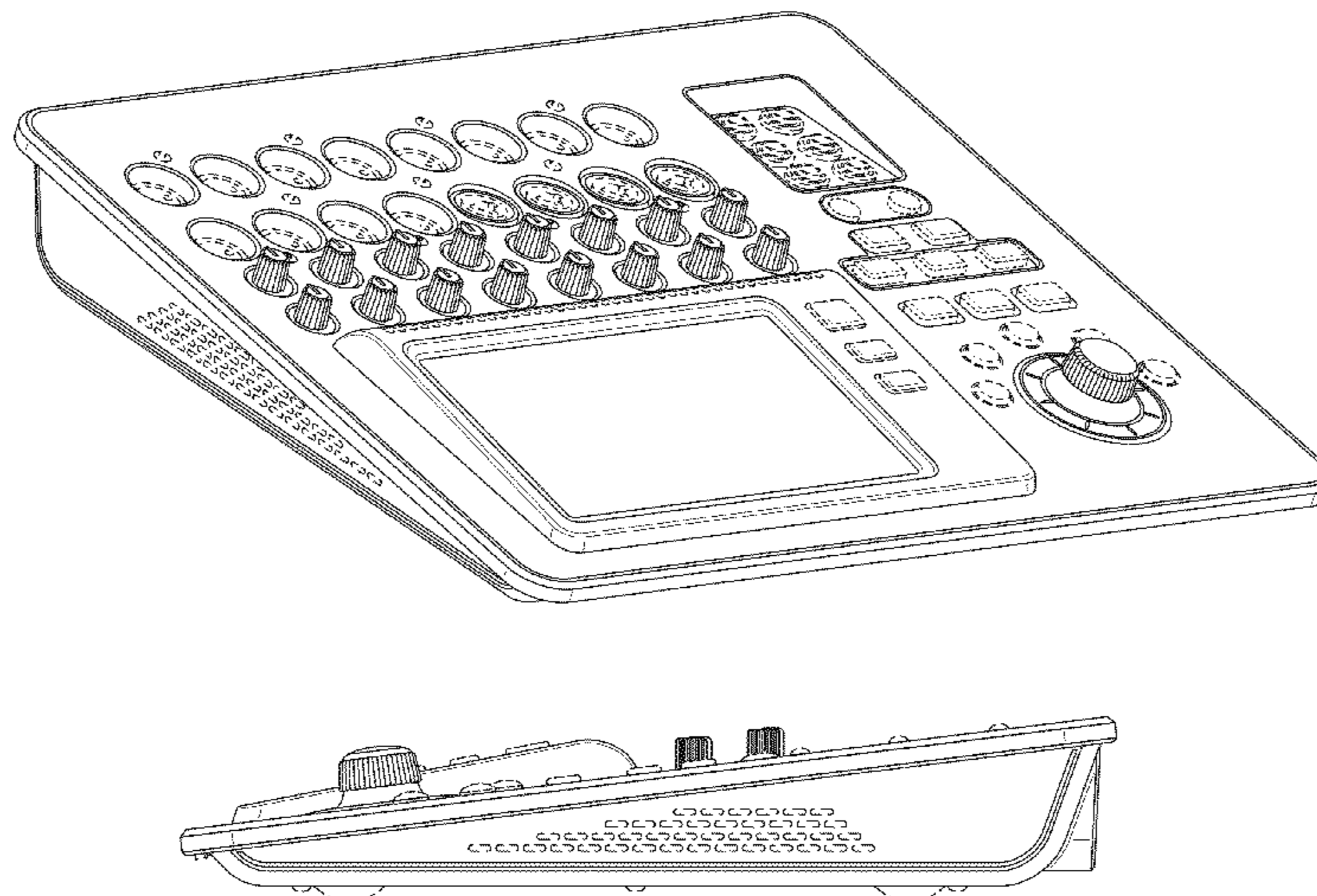
FIG. 5 is a bottom plan view thereof.

FIG. 6 is a left side elevation view thereof; and,

FIG. 7 is a right side elevation view thereof.

The broken line in the figure drawings represents unclaimed environment only and forms no part of the claimed design.

1 Claim, 7 Drawing Sheets



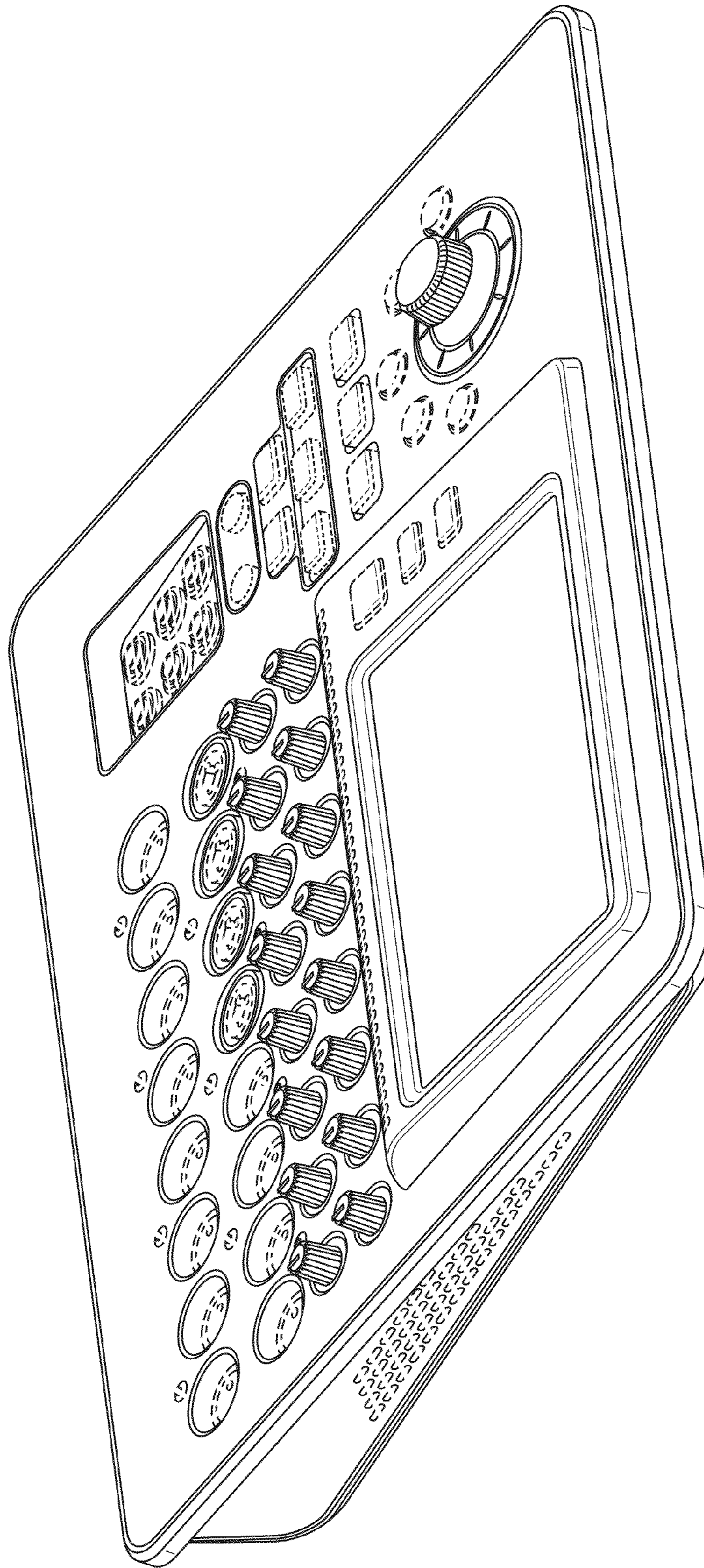


Fig. 1

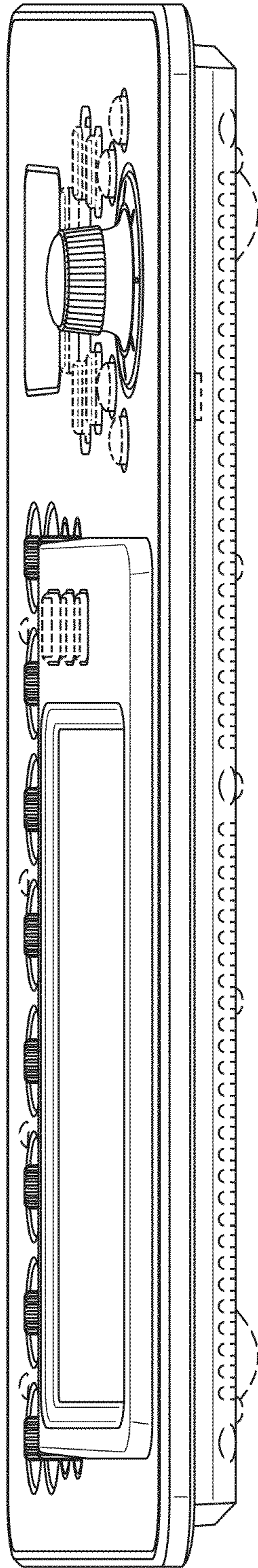


Fig. 2

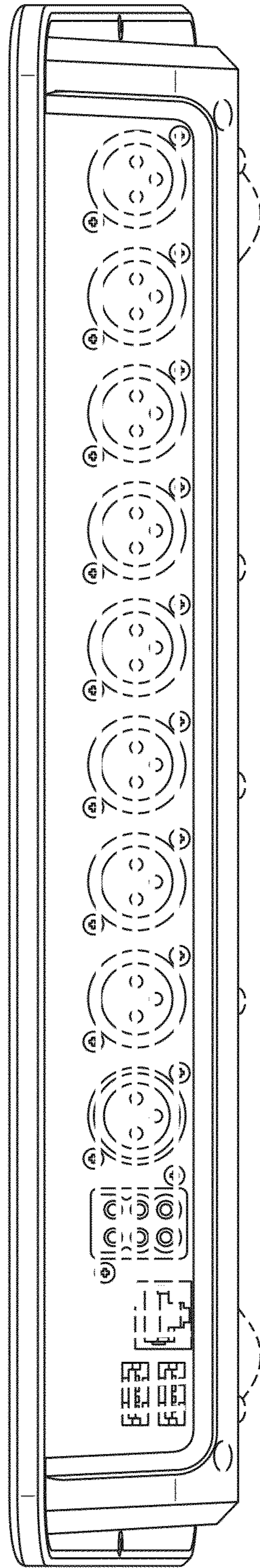


Fig. 3

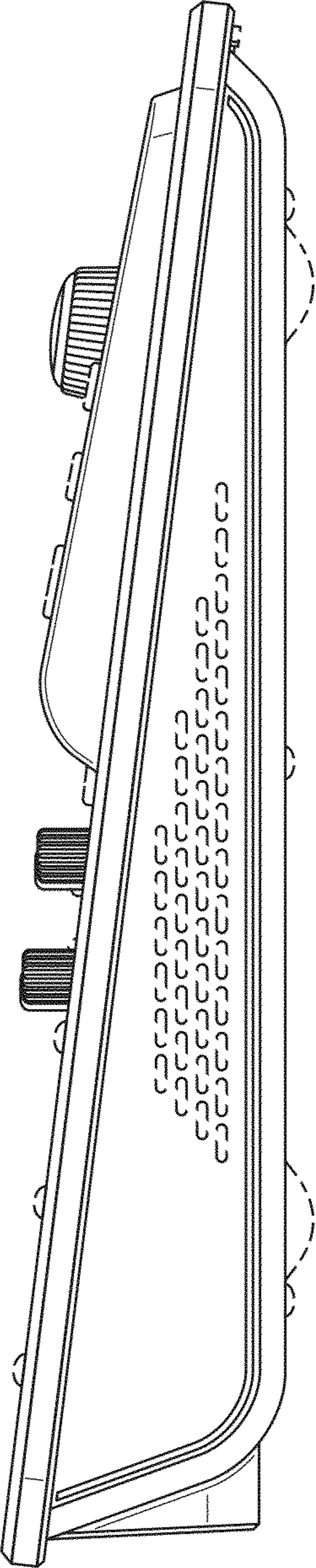


Fig. 4

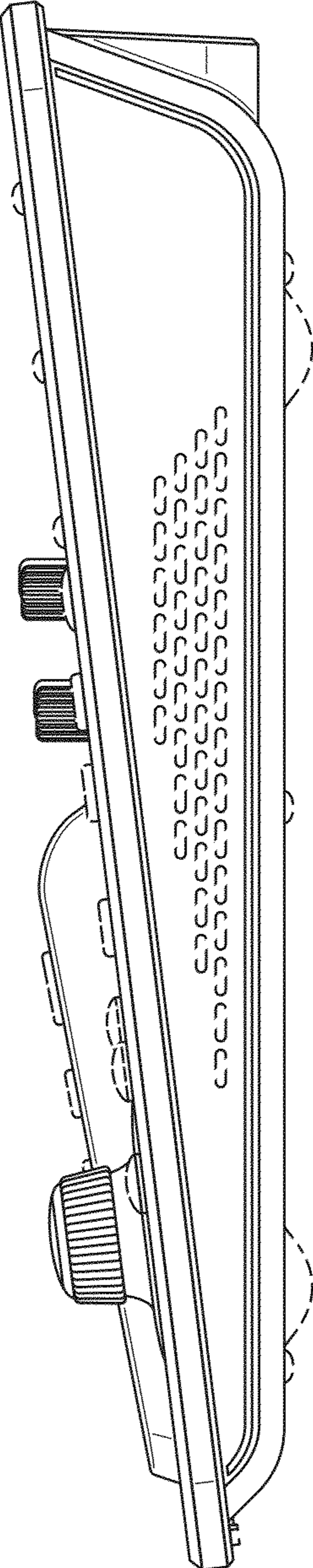


Fig. 5

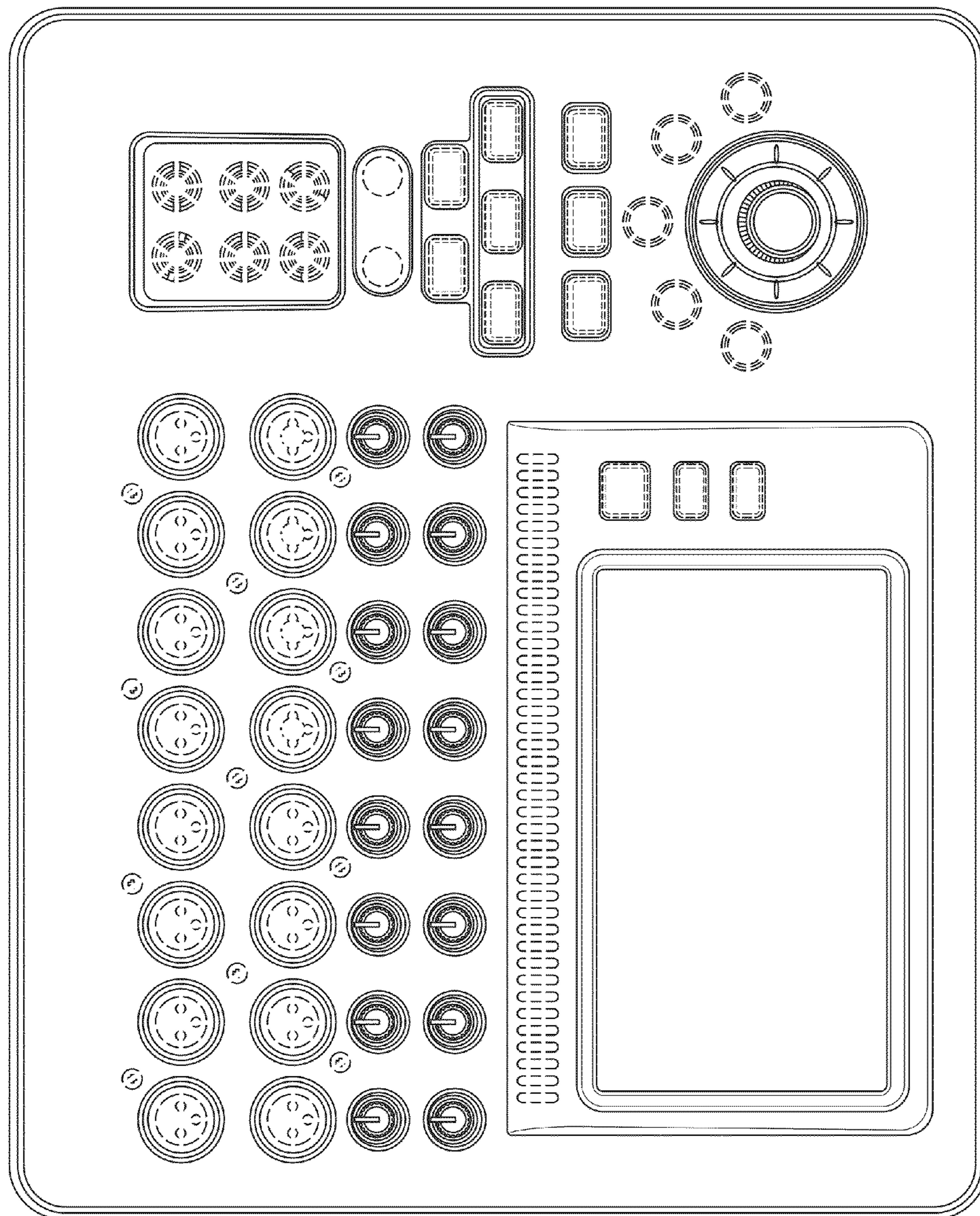


Fig. 6

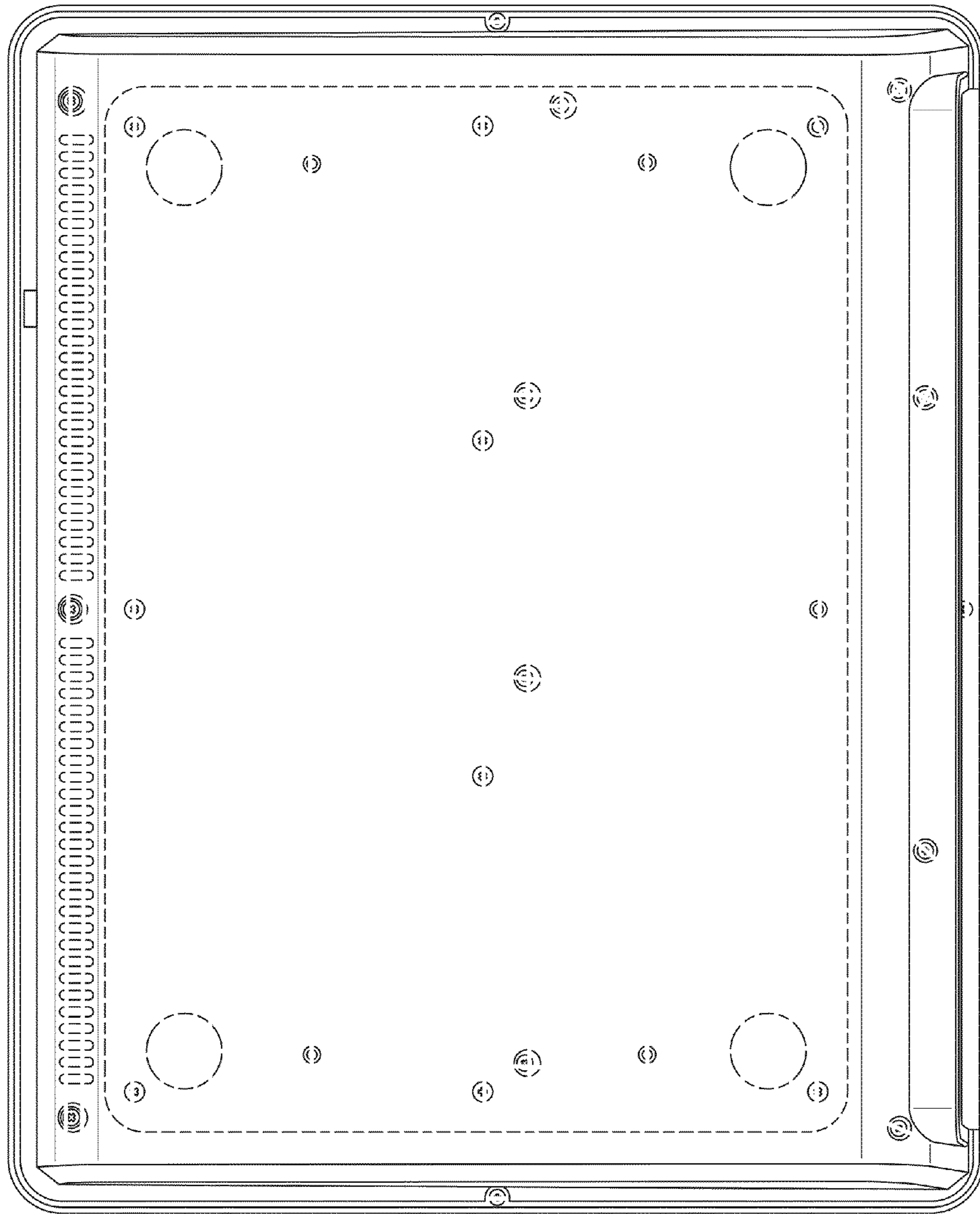


Fig. 7