



US00D743938S

(12) **United States Design Patent**
Kim et al.

(10) **Patent No.:** **US D743,938 S**
(45) **Date of Patent:** **** Nov. 24, 2015**

(54) **SPEAKER FOR TELEVISION RECEIVER**

(71) Applicant: **LG ELECTRONICS INC.**, Seoul (KR)

(72) Inventors: **Mikyung Kim**, Seoul (KR); **Kangheui Cha**, Incheon (KR); **Byungmu Huh**, Seoul (KR)

(73) Assignee: **LG Electronics Inc.**, Seoul (KR)

(**) Term: **14 Years**

(21) Appl. No.: **29/480,314**

(22) Filed: **Jan. 24, 2014**

(30) **Foreign Application Priority Data**

Jul. 25, 2013 (KR) 30-2013-0038604

(51) **LOC (10) Cl.** **14-03**

(52) **U.S. Cl.**

USPC **D14/214**

(58) **Field of Classification Search**

USPC D14/167, 168, 170–172, 188, 194–196,
D14/204, 207, 209.1, 210–216, 219, 221,
D14/222, 224, 496; 181/143, 144, 147, 148,
181/150, 153, 157, 198, 199; 381/300–303,
381/306, 332, 333, 336, 345, 361–364,
381/386–388; 369/6–12; D6/300, 310

CPC B60R 11/0217; G06F 1/1688; H04M 1/03;
H04M 1/035; H04R 1/02; H04R 1/06; H04R
1/021; H04R 1/025; H04R 1/026; H04R
1/028; H04R 1/105; H04R 1/323; H04R
1/403; H04R 1/2803; H04R 1/2834; H04R
5/02; H04R 7/20; H04R 9/06; H04R 9/025;
H04R 2201/021; H04R 2400/00; H04R
2400/07; H04R 2499/11; H04R 2499/13;
H04R 2499/15; H04S 3/00; H04S 7/30

See application file for complete search history.

(56) **References Cited**

U.S. PATENT DOCUMENTS

| | | | | | | |
|-----------|----|---|--------|------------------|-------|---------|
| D559,553 | S | * | 1/2008 | Mischel, Jr. | | D6/300 |
| D592,641 | S | * | 5/2009 | Ryu et al. | | D14/214 |
| D636,188 | S | * | 4/2011 | Kim et al. | | D6/308 |
| D654,274 | S | * | 2/2012 | Krawczyk | | D6/300 |
| D654,703 | S | * | 2/2012 | LeMay | | D6/300 |
| D685,346 | S | * | 7/2013 | Szymanski et al. | | D14/214 |
| D707,204 | S | * | 6/2014 | Fujiwara et al. | | D14/221 |
| D721,893 | S | * | 2/2015 | Gorham | | D6/300 |
| 8,958,591 | B2 | * | 2/2015 | Hagman | | 381/333 |

* cited by examiner

Primary Examiner — Keli L Hill

(74) *Attorney, Agent, or Firm* — Birch, Stewart, Kolasch & Birch, LLP

(57) **CLAIM**

The ornamental design for a speaker for television receiver, as shown and described.

DESCRIPTION

FIG. 1 is a perspective view of a speaker for television receiver showing our new design;
FIG. 2 is a front view thereof;
FIG. 3 is a rear view thereof;
FIG. 4 is a left side view thereof where the right side view is a mirror image;
FIG. 5 is a top plan view thereof where the bottom plan view is a mirror image;
FIG. 6 is an enlarged cross-sectional view taken in the direction of line 6-6 in FIG. 2;
FIG. 7 is a reference view thereof showing an example of the arrangement and shape of the built-in speaker;
FIG. 8 is a reference view thereof showing an example of the usage of the subject design; and,
FIG. 9 is an enlarged cross-sectional portion view taken in the direction of lines 9-9 in FIG. 6.
The broken lines shown are included for the purpose of illustrating portions of the speaker for television receiver that form no part of the claim.

1 Claim, 9 Drawing Sheets

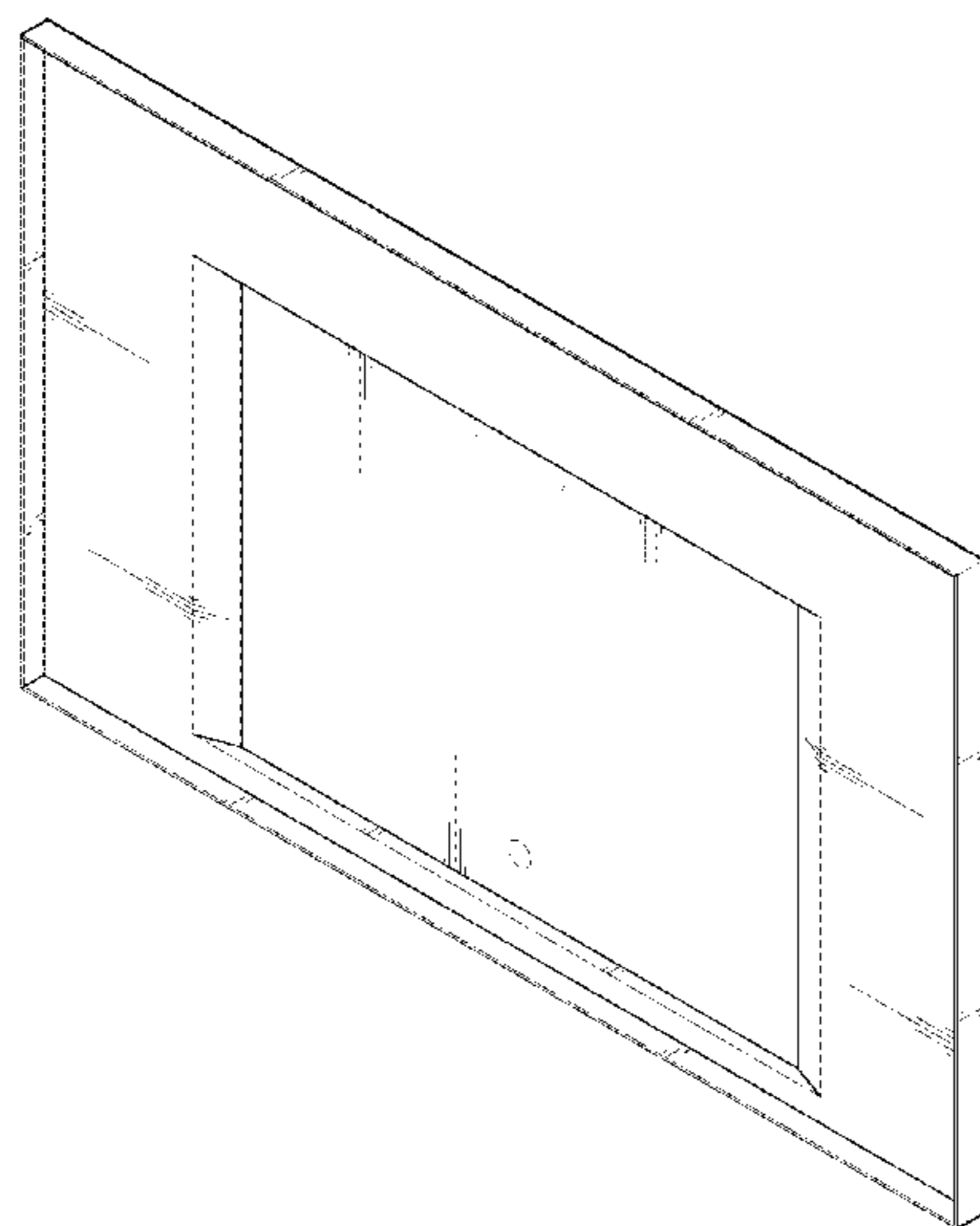


FIG. 1

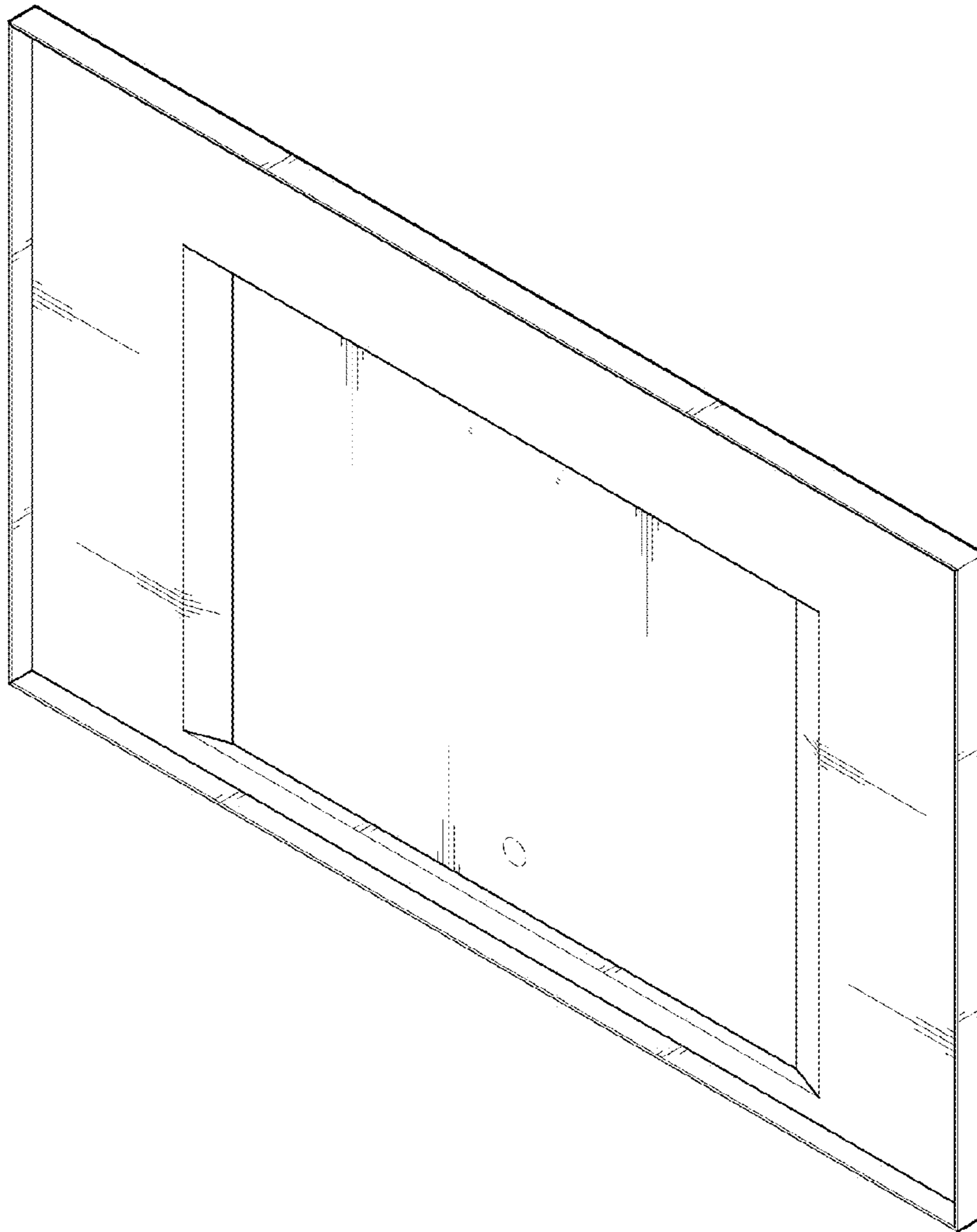


FIG. 2

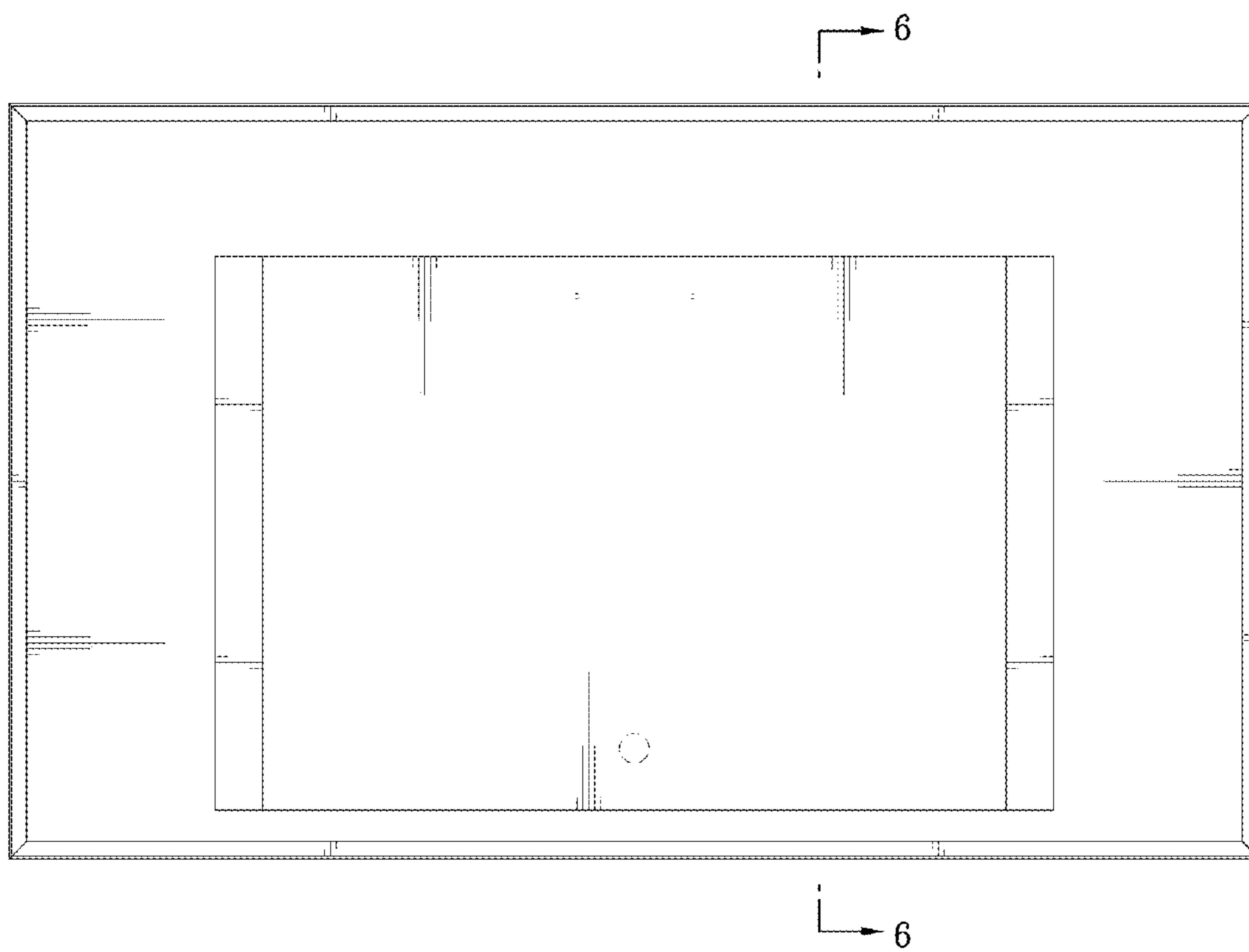


FIG. 3

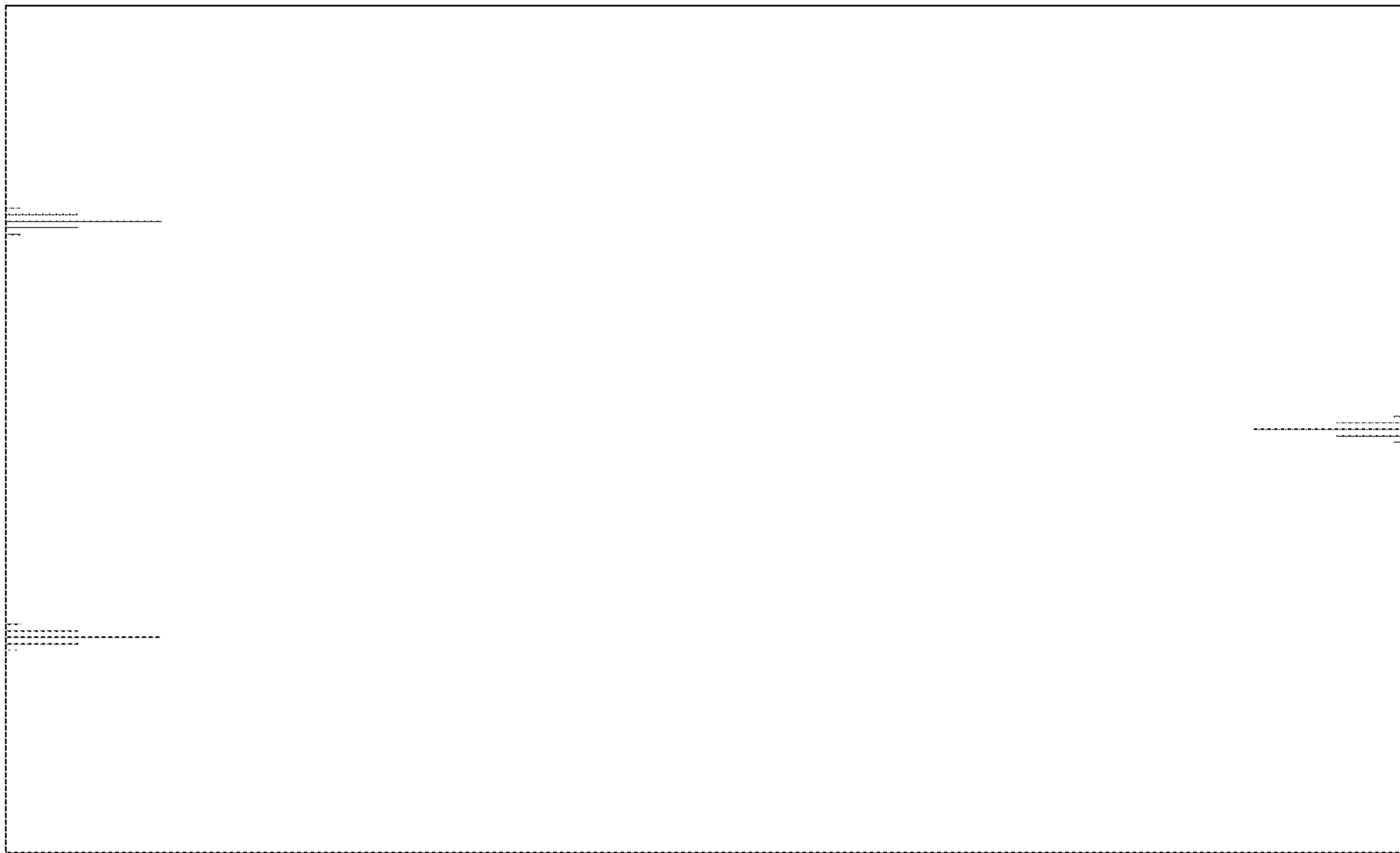


FIG. 4



FIG. 5



FIG. 6

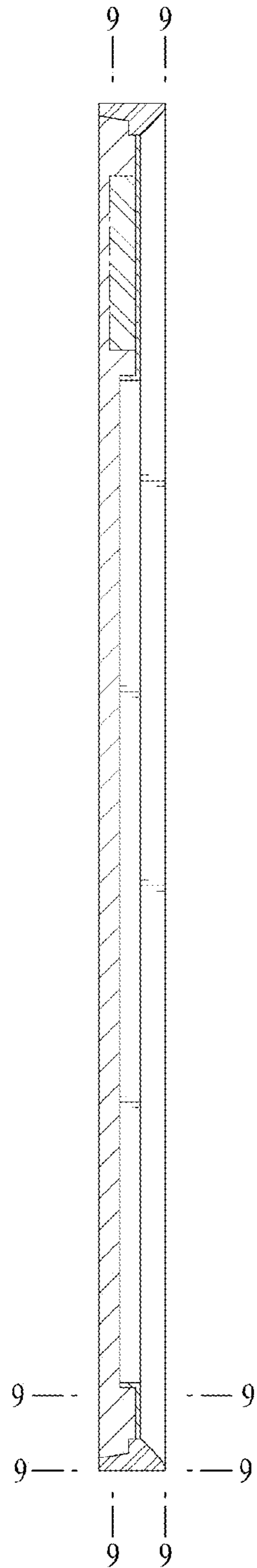


FIG. 7

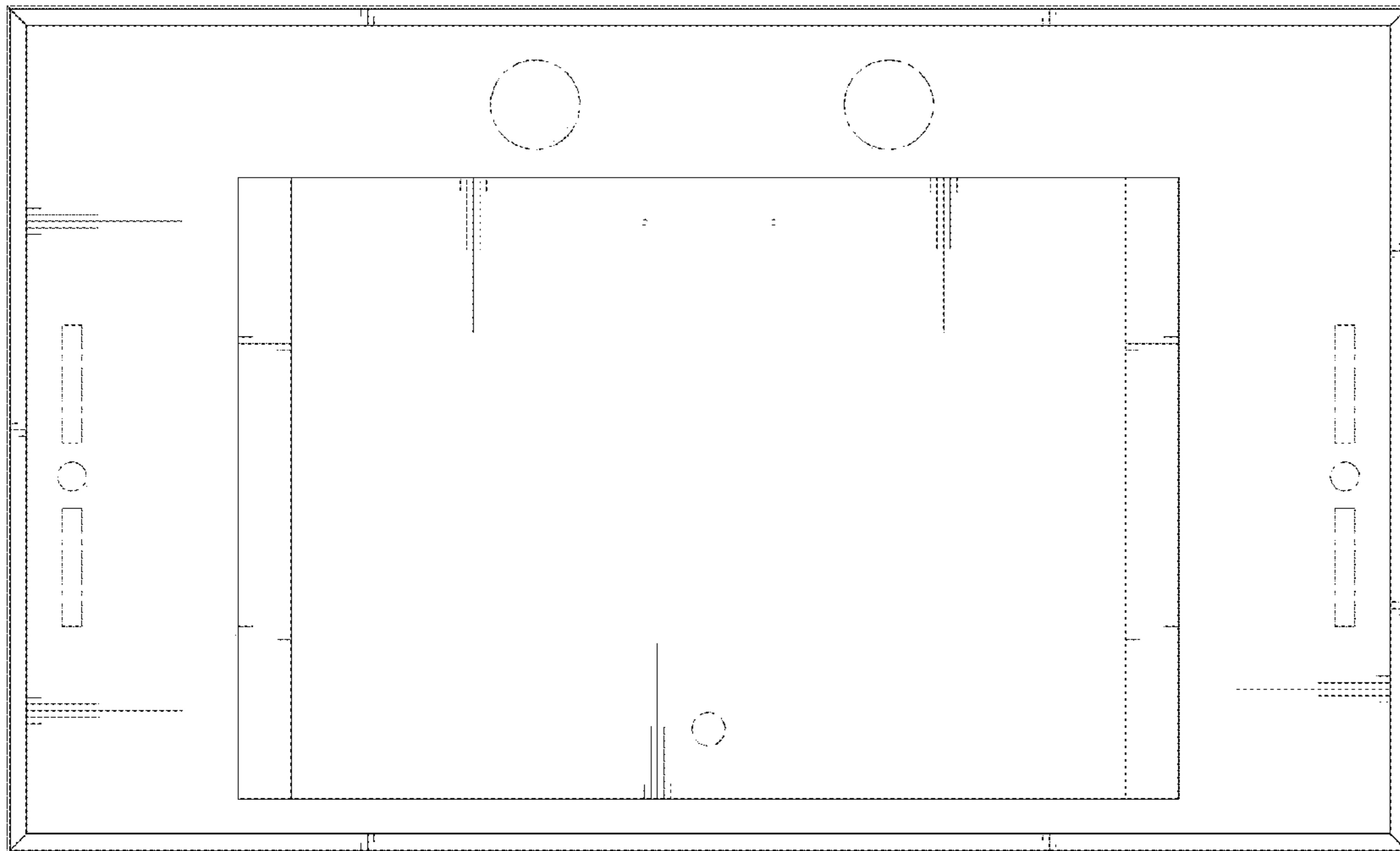


FIG. 8

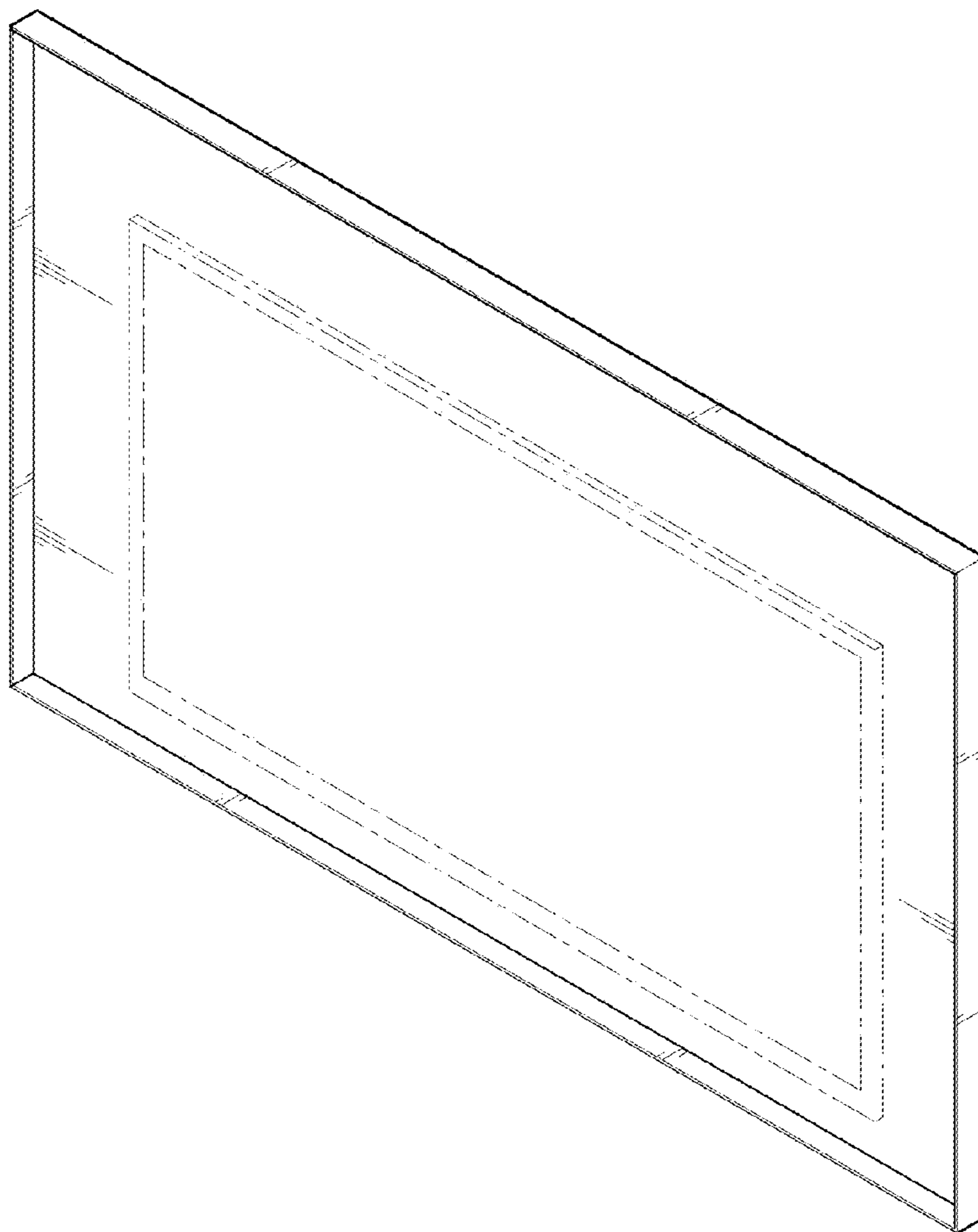


FIG. 9

