



US00D743934S

(12) **United States Design Patent**
Komagamine

(10) **Patent No.:** **US D743,934 S**

(45) **Date of Patent:** **** Nov. 24, 2015**

(54) **HEADPHONE**

(71) Applicant: **PIONEER CORPORATION**,
Kawasaki-shi, Kanagawa (JP)

(72) Inventor: **Masanori Komagamine**, Kawasaki (JP)

(73) Assignee: **PIONEER DJ CORPORATION**,
Kawasaki-shi, Kanagawa (JP)

(**) Term: **14 Years**

(21) Appl. No.: **29/509,570**

(22) Filed: **Nov. 19, 2014**

(30) **Foreign Application Priority Data**

Sep. 1, 2014 (JP) 2014-019139

(51) **LOC (10) Cl.** **14-01**

(52) **U.S. Cl.**
USPC **D14/205**

(58) **Field of Classification Search**
USPC D14/205, 206, 223; D29/112; 2/209;
181/129, 130, 135; 379/430, 431;
381/380, 381, 374

CPC H04R 1/1066
See application file for complete search history.

(56) **References Cited**

U.S. PATENT DOCUMENTS

2,437,049	A *	3/1948	Salisbury et al.	128/866
D246,242	S *	11/1977	Bellini	D14/205
D328,461	S *	8/1992	Daido et al.	D14/205
6,654,966	B2 *	12/2003	Rolla	2/209
7,172,052	B2 *	2/2007	Lenhard-Backhaus	181/129
D538,261	S *	3/2007	Taylor et al.	D14/205
D541,255	S *	4/2007	Taylor et al.	D14/205
7,245,735	B2 *	7/2007	Han	381/371
D549,688	S *	8/2007	Suzuki	D14/205
D588,098	S *	3/2009	Kurihara	D14/205
D588,100	S *	3/2009	Densho et al.	D14/205
D600,674	S *	9/2009	Brennwald	D14/205

D616,865	S *	6/2010	Marchand et al.	D14/205
D634,732	S *	3/2011	Kondo et al.	D14/205
D637,579	S *	5/2011	Hamaura et al.	D14/205
D641,003	S *	7/2011	Alden	D14/205
8,055,006	B2 *	11/2011	Santiago	381/379
D658,158	S *	4/2012	Suzuki	D14/205
D662,080	S *	6/2012	Carr et al.	D14/205
8,363,877	B2 *	1/2013	Morisawa	381/383
8,755,555	B2 *	6/2014	Dougherty et al.	381/378
D729,196	S *	5/2015	Liu	D14/205
2004/0213428	A1 *	10/2004	Lenhard-Backhaus	381/370

FOREIGN PATENT DOCUMENTS

JP	1149221	8/2002
JP	1165673	2/2003
JP	1175394	6/2003
JP	1278184	8/2006
JP	1322946	2/2008
JP	1351986	2/2009
JP	1411701	4/2011
JP	1411708	4/2011

* cited by examiner

Primary Examiner — Paula Greene

(74) *Attorney, Agent, or Firm* — Drinker Biddle & Reath LLP

(57) **CLAIM**

The ornamental design for a headphone, as shown and described.

DESCRIPTION

FIG. 1 is a perspective view of front, top and right side of a headphone showing my new design;

FIG. 2 is a front view thereof;

FIG. 3 is a rear view thereof;

FIG. 4 is a left side view thereof;

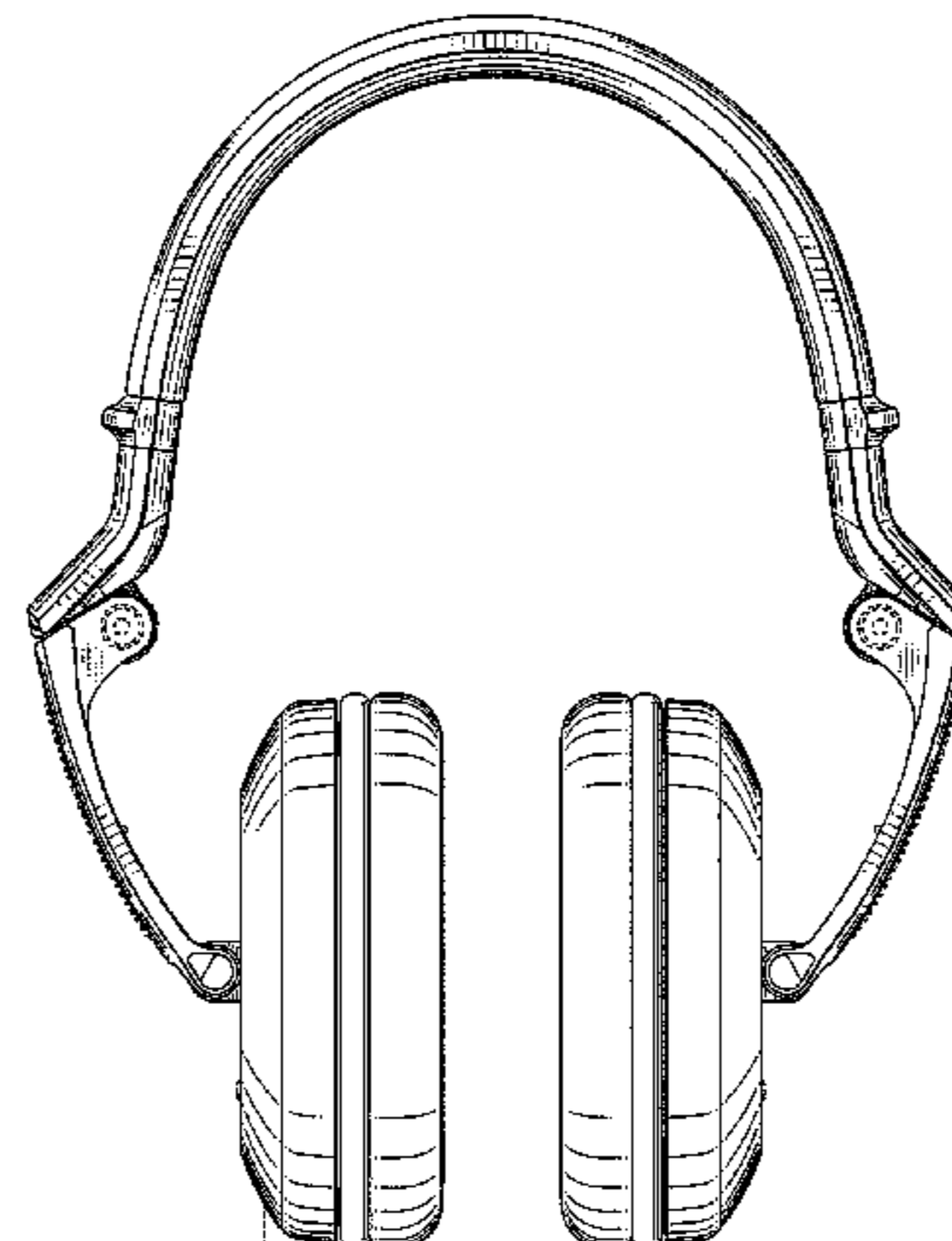
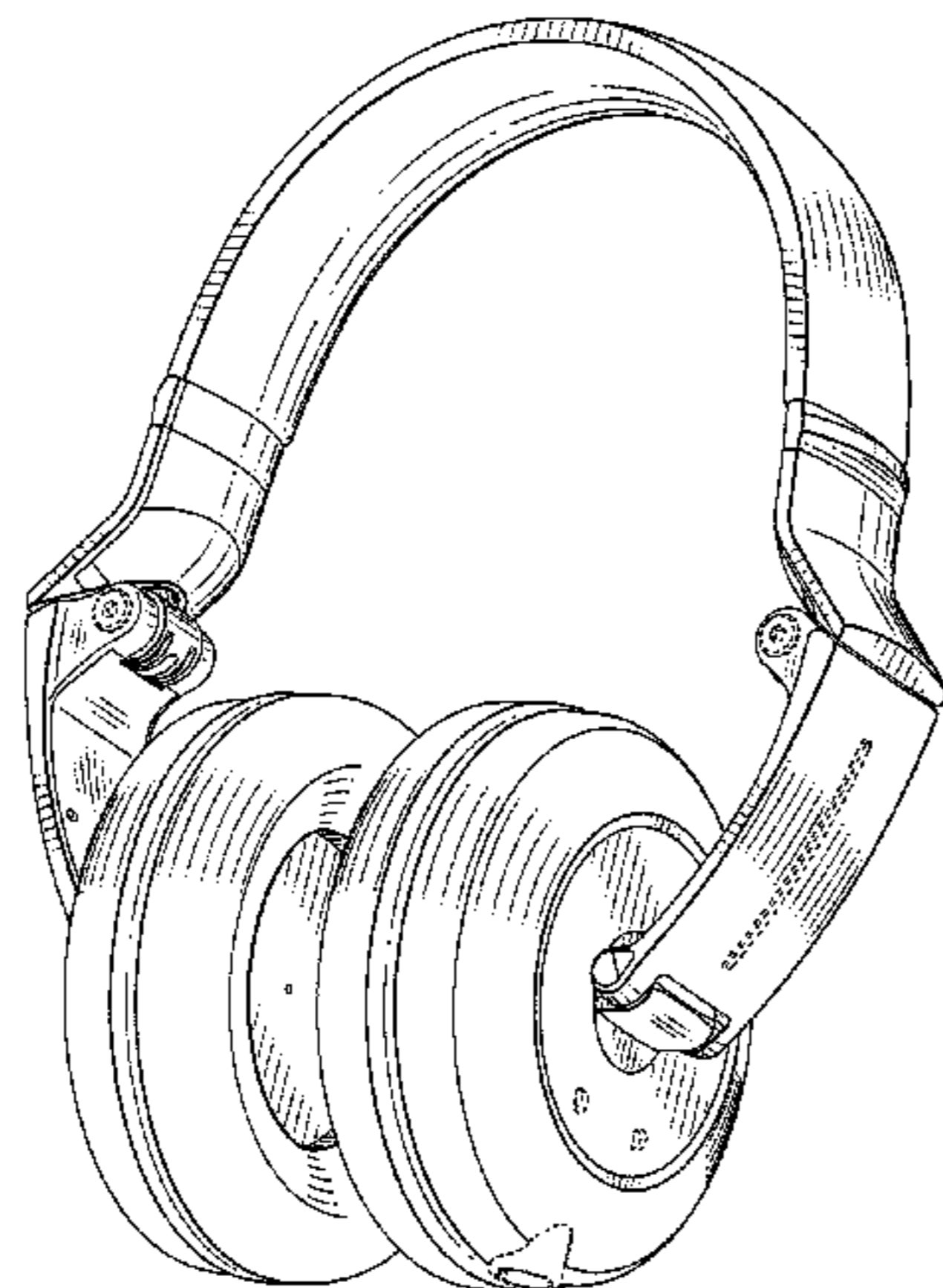
FIG. 5 is a right side view thereof;

FIG. 6 is a top view thereof; and,

FIG. 7 is a bottom view thereof.

The portions of the article in broken lines form no part of the claimed design.

1 Claim, 7 Drawing Sheets



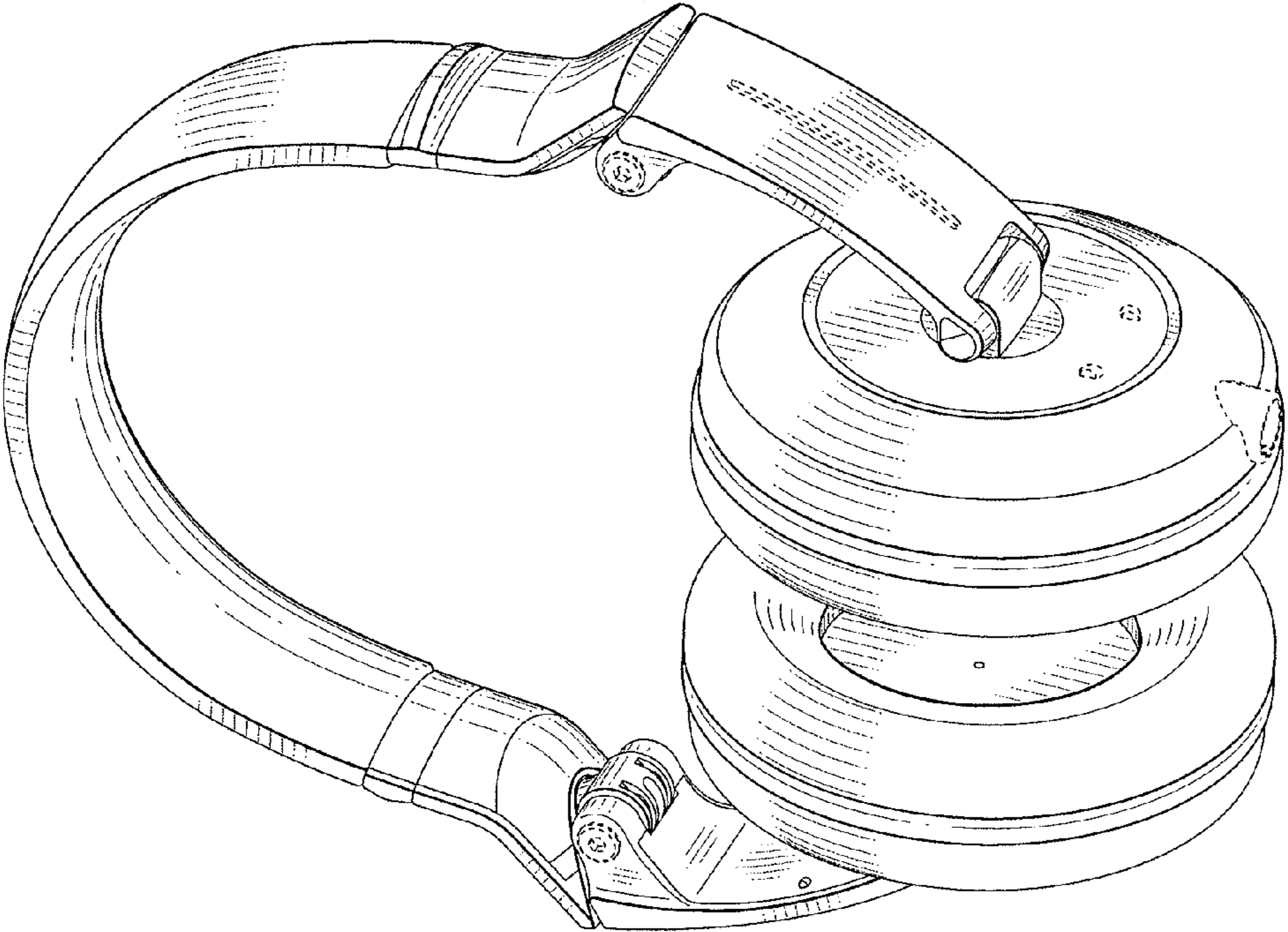


FIG. 1

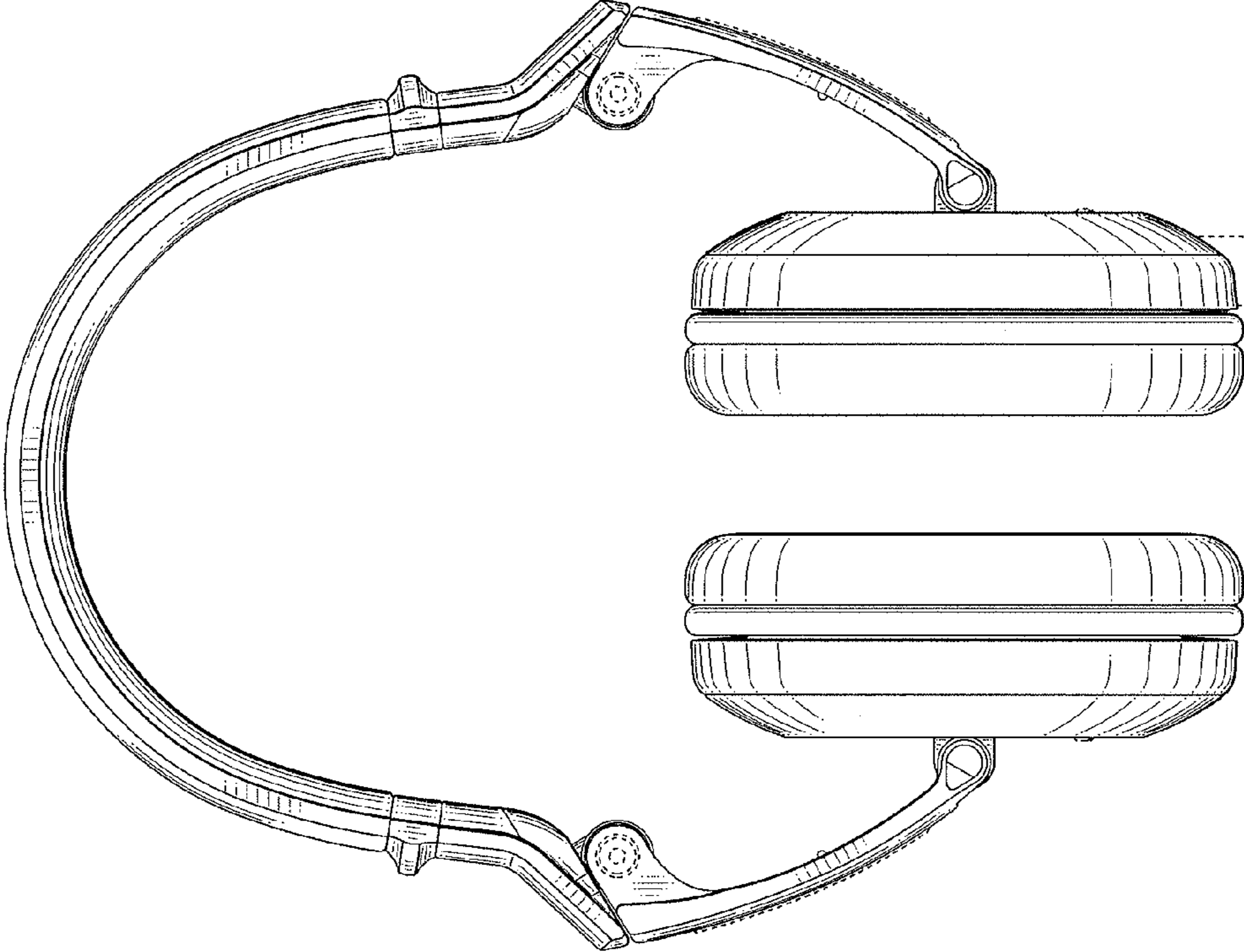


FIG. 2

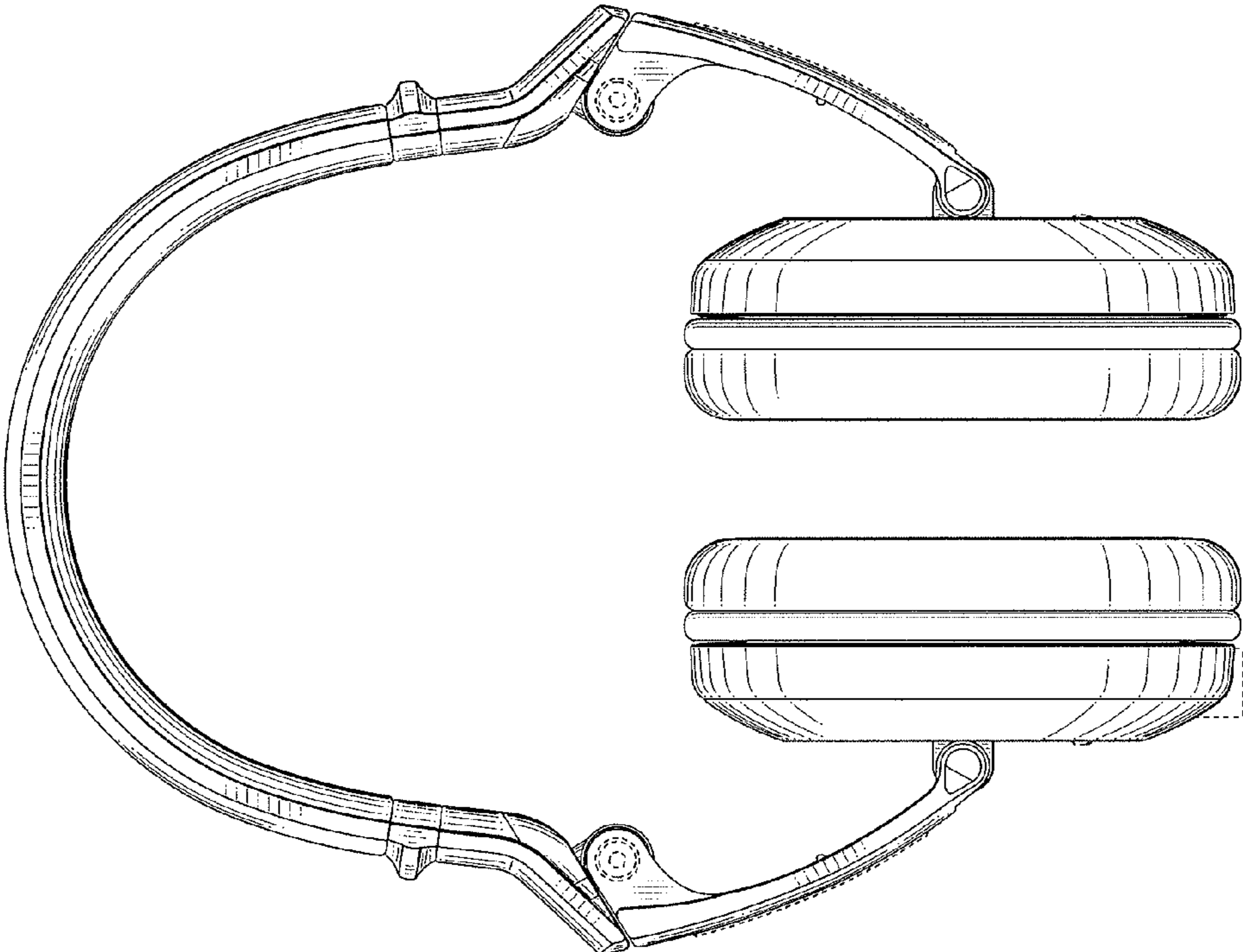


FIG. 3

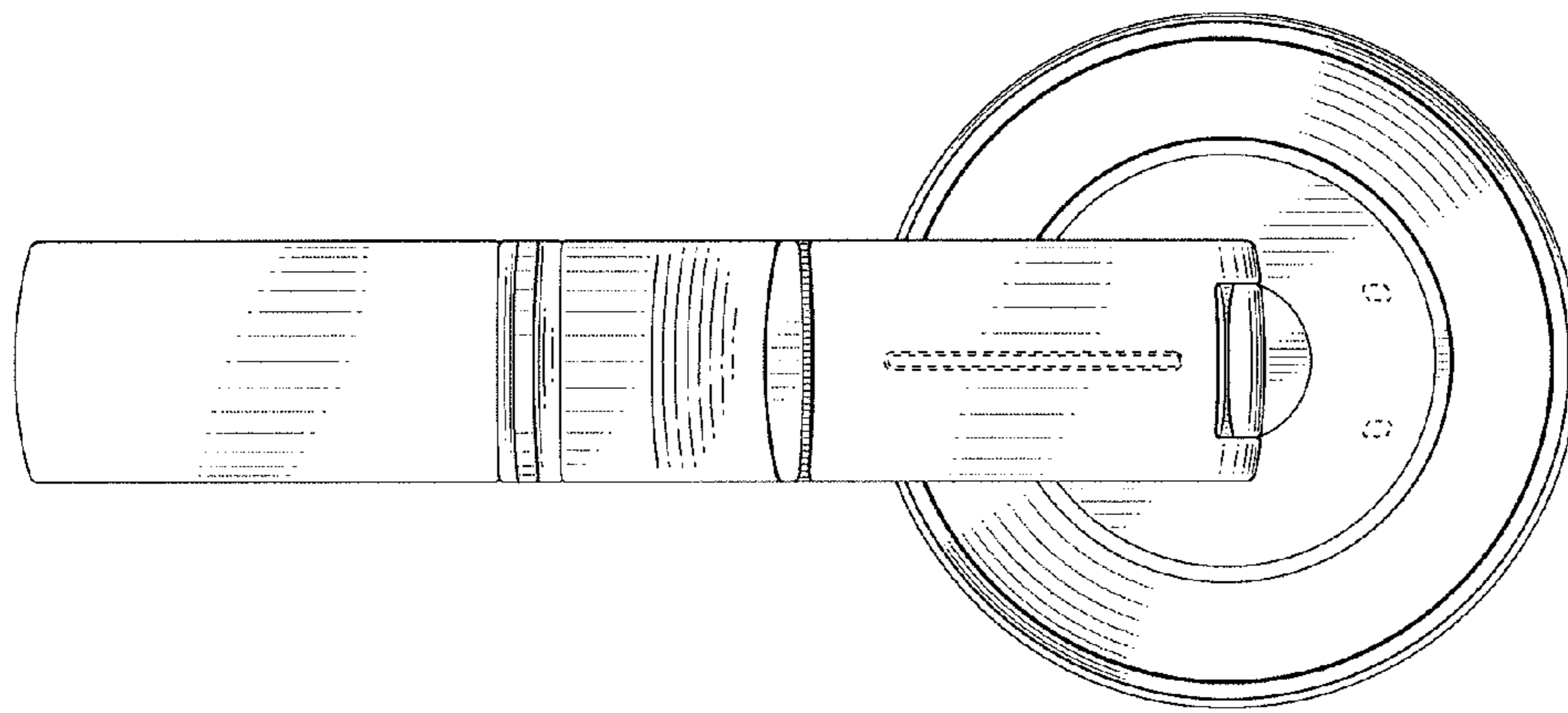


FIG. 4

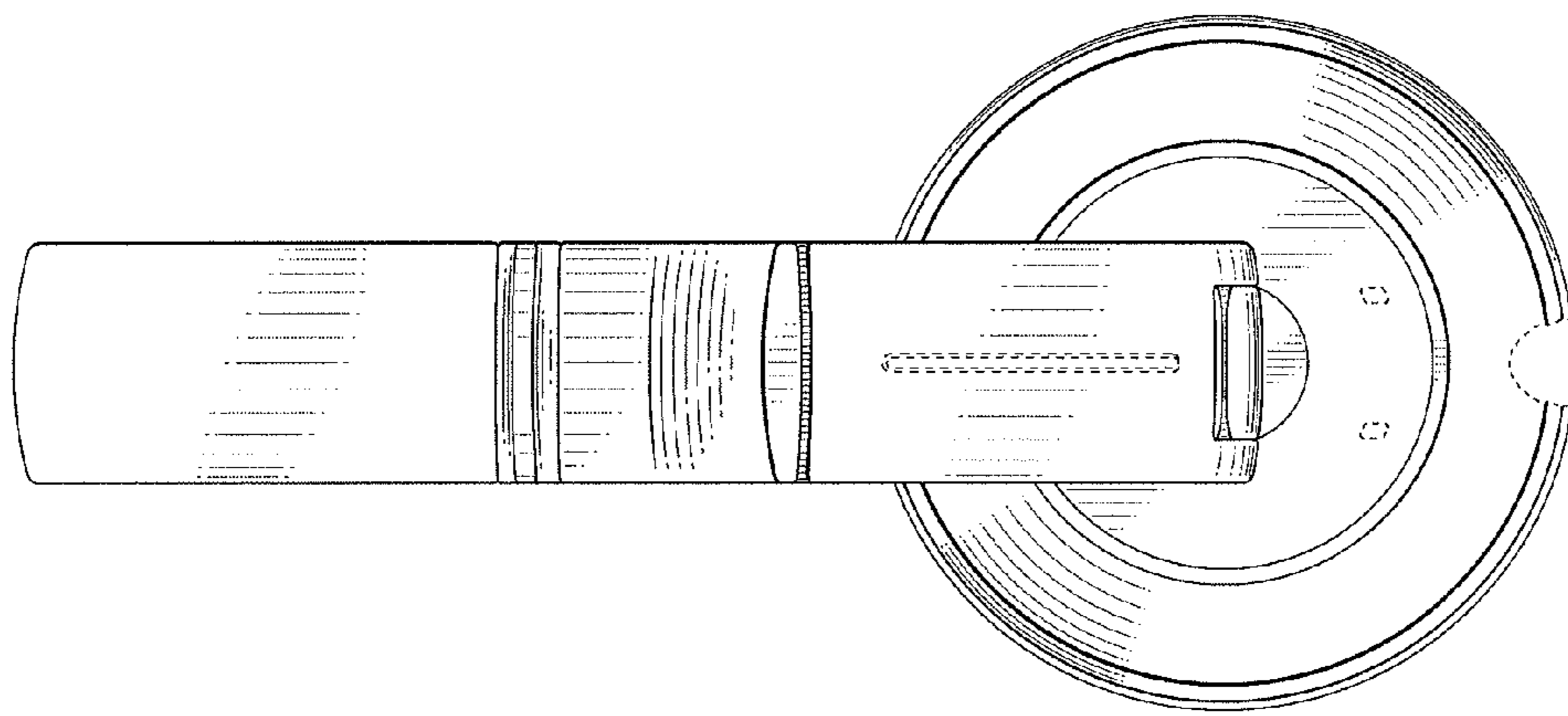


FIG. 5

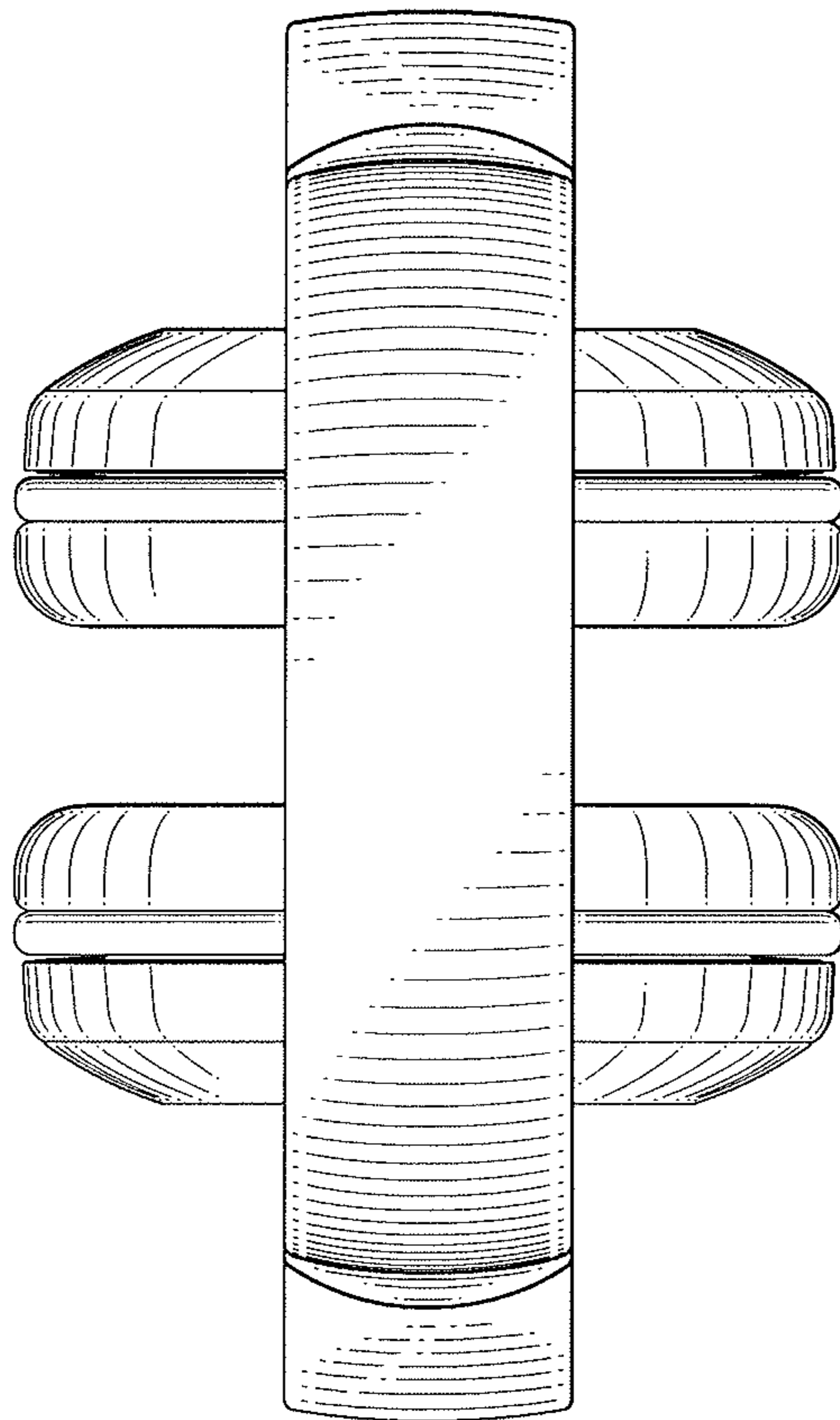


FIG. 6

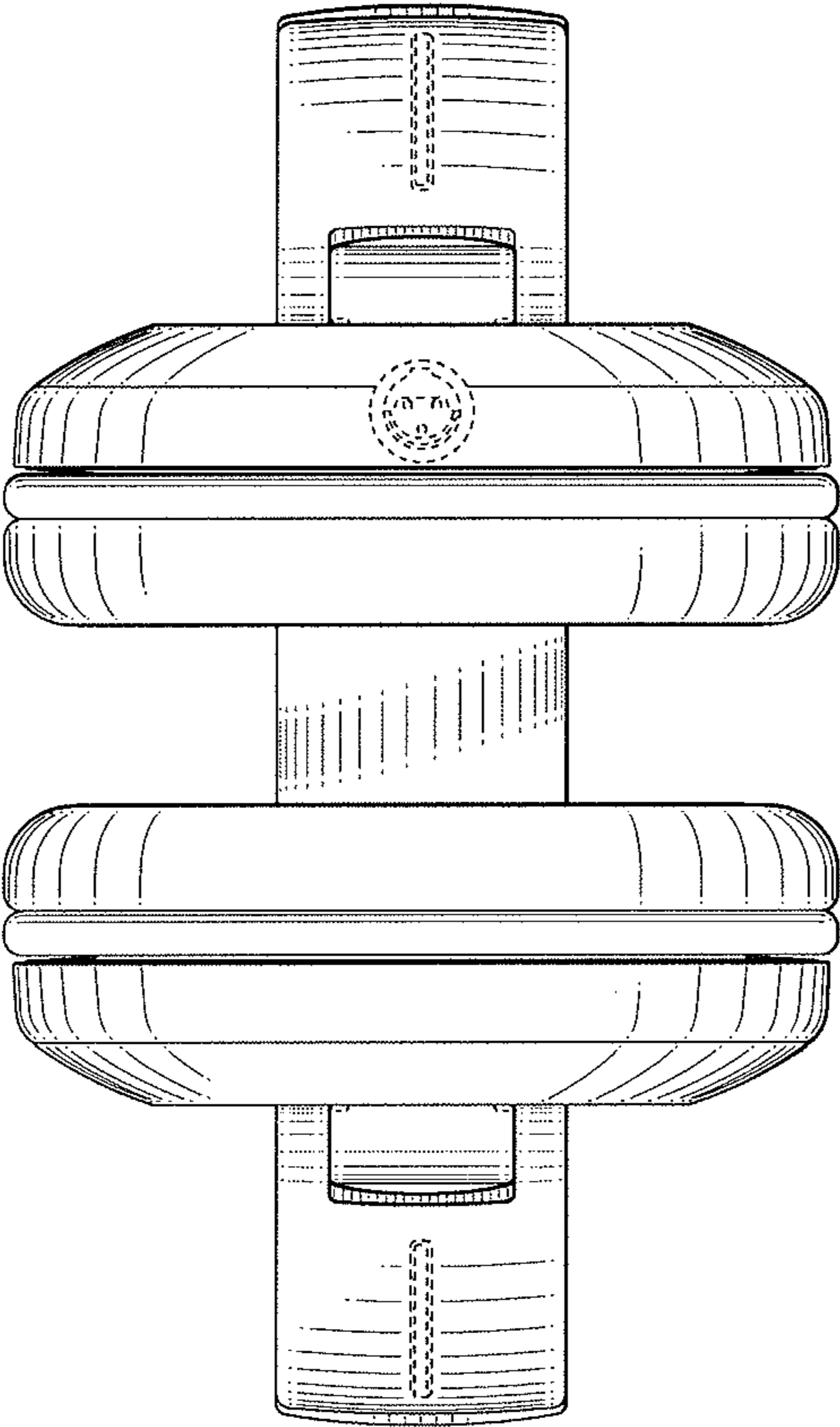


FIG. 7