



US00D743930S

(12) **United States Design Patent**
Tanifuji

(10) **Patent No.:** **US D743,930 S**

(45) **Date of Patent:** **** Nov. 24, 2015**

(54) **RECORDING AND REPRODUCING DEVICE**

(71) Applicant: **JVC KENWOOD CORPORATION,**
Kanagawa (JP)

(72) Inventor: **Shuji Tanifuji,** Kanagawa (JP)

(73) Assignee: **JVC KENWOOD CORPORATION,**
Kanagawa (JP)

(**) Term: **14 Years**

(21) Appl. No.: **29/511,513**

(22) Filed: **Dec. 11, 2014**

(30) **Foreign Application Priority Data**

Sep. 5, 2014 (JP) 2014-019675

(51) **LOC (10) Cl.** **14-01**

(52) **U.S. Cl.**
USPC **D14/167**

(58) **Field of Classification Search**
USPC D14/167, 154, 168, 188, 496, 156, 160,
D14/161, 162, 163, 164, 165, 158, 203.1,
D14/341, 346, 342, 345, 225, 226, 228, 227,
D14/214; 455/351, 350; D19/60, 62;
D21/330; 369/44.14, 44.32; 700/94;
D16/202

CPC H04N 13/004; H04N 5/85; H04N 9/8227;
H04N 13/0055; H04N 19/597; H04N 19/61;
H04N 21/42646; H04N 21/4325; H04N
1/234327; G11B 27/034; G11B 27/11

See application file for complete search history.

(56) **References Cited**

U.S. PATENT DOCUMENTS

D401,581 S * 11/1998 Palmiro et al. D14/167
D421,260 S * 2/2000 Hyogo D14/167

D431,546 S * 10/2000 Ito et al. D14/167
D443,867 S * 6/2001 Tsuyuguchi et al. D14/502
D444,137 S * 6/2001 Miyazaki D14/167
D487,888 S * 3/2004 Henderson D14/167
D500,300 S * 12/2004 Sakuma D14/167
D512,407 S * 12/2005 Suggs et al. D14/167
D518,455 S * 4/2006 Wu D14/505
D531,980 S * 11/2006 Takemasa D14/167
D557,678 S * 12/2007 Bey et al. D14/167
D557,679 S * 12/2007 Bey et al. D14/167
D576,603 S * 9/2008 Ohno D14/167
D577,707 S * 9/2008 Lee et al. D14/158
D601,121 S * 9/2009 Chen D14/167
D624,524 S * 9/2010 Terzigni D14/167
D646,261 S * 10/2011 Hayashi D14/167
D659,668 S * 5/2012 Neumann D14/155
D669,879 S * 10/2012 Iijima D14/167

* cited by examiner

Primary Examiner — Austin Murphy

(74) *Attorney, Agent, or Firm* — Osha Liang LLP

(57) **CLAIM**

The ornamental design for a recording and reproducing device, as shown and described.

DESCRIPTION

FIG. 1 is a perspective view of the front, top and right sides of a recording and reproducing device according to an embodiment of the new design;

FIG. 2 is a front view thereof;

FIG. 3 is a rear view thereof;

FIG. 4 is a left side view thereof;

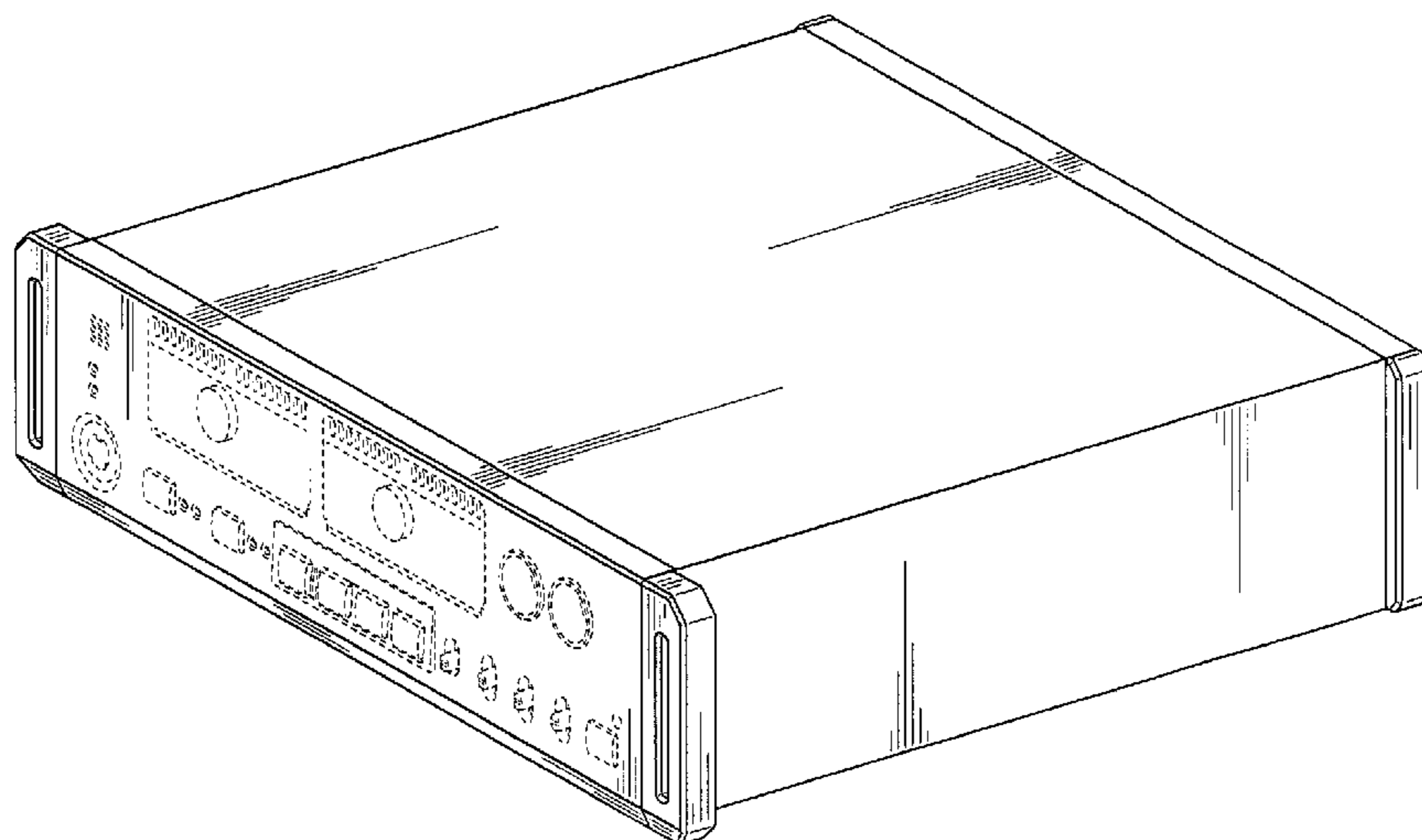
FIG. 5 is a right side view thereof;

FIG. 6 is a top view thereof; and,

FIG. 7 is a bottom view thereof.

The broken lines shown are included for the purpose of illustrating the unclaimed portions of a recording and reproducing device and form no part of the claimed design.

1 Claim, 5 Drawing Sheets



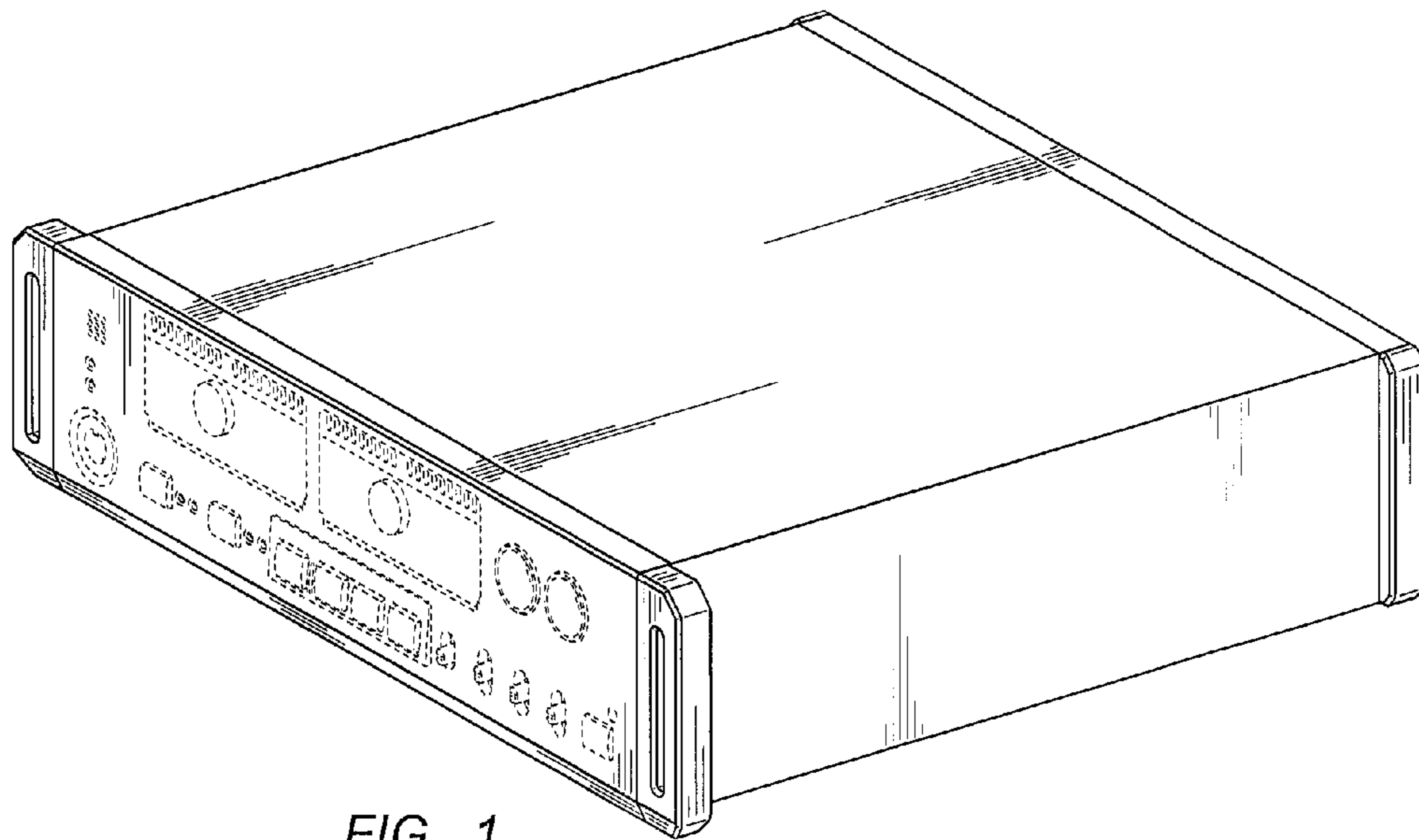


FIG. 1

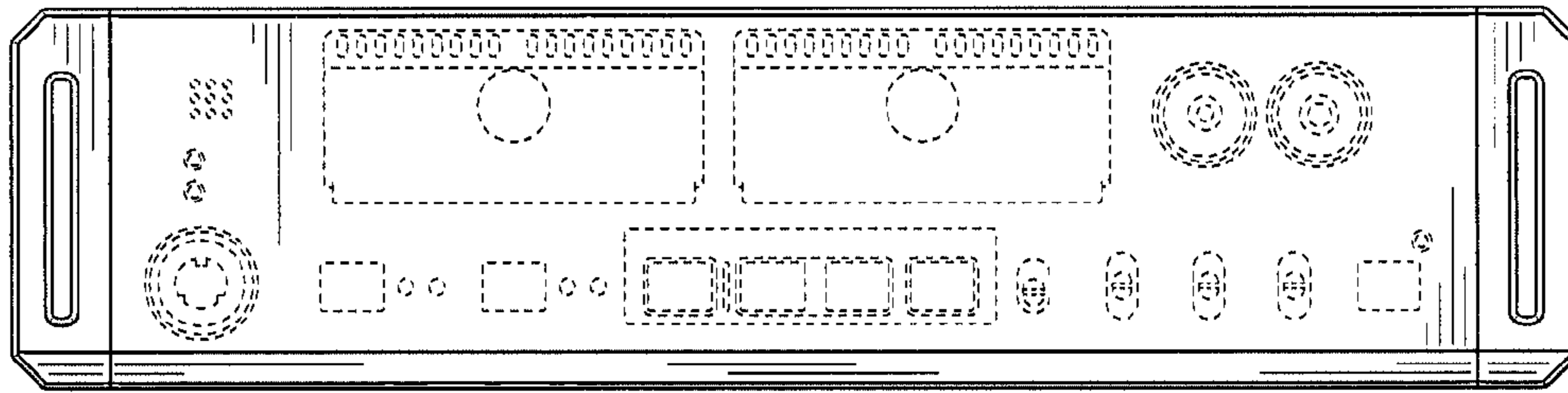


FIG. 2

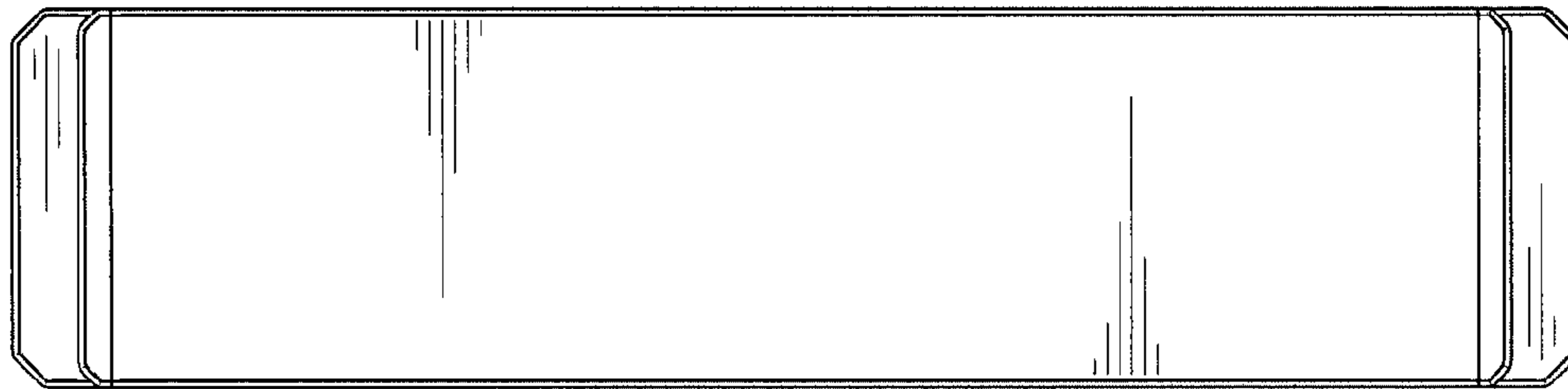


FIG. 3

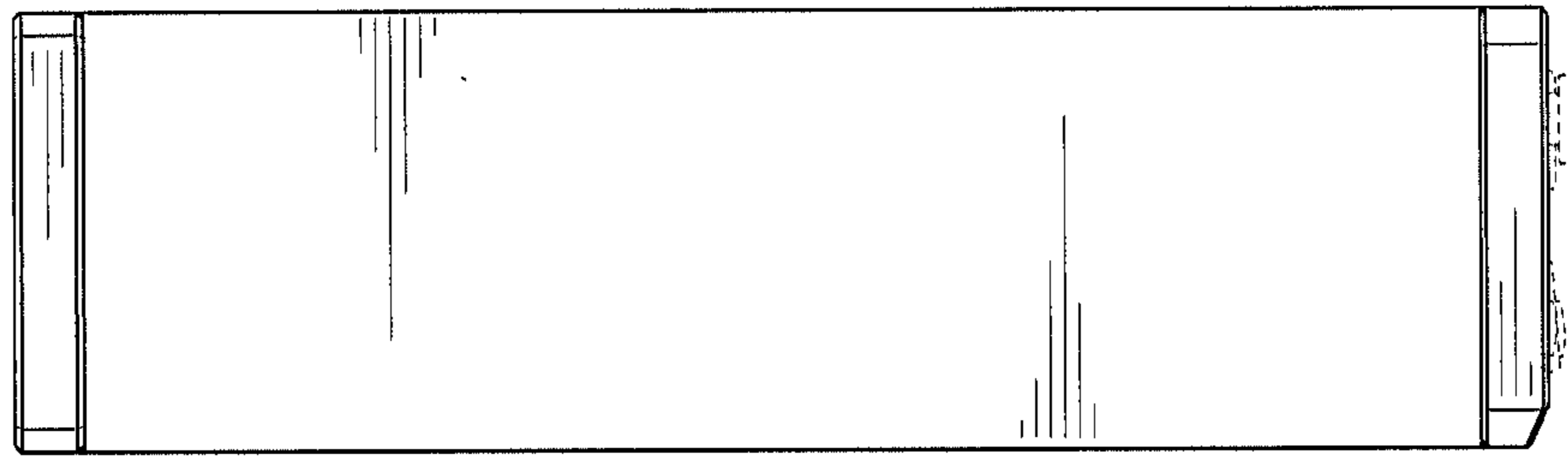


FIG. 4

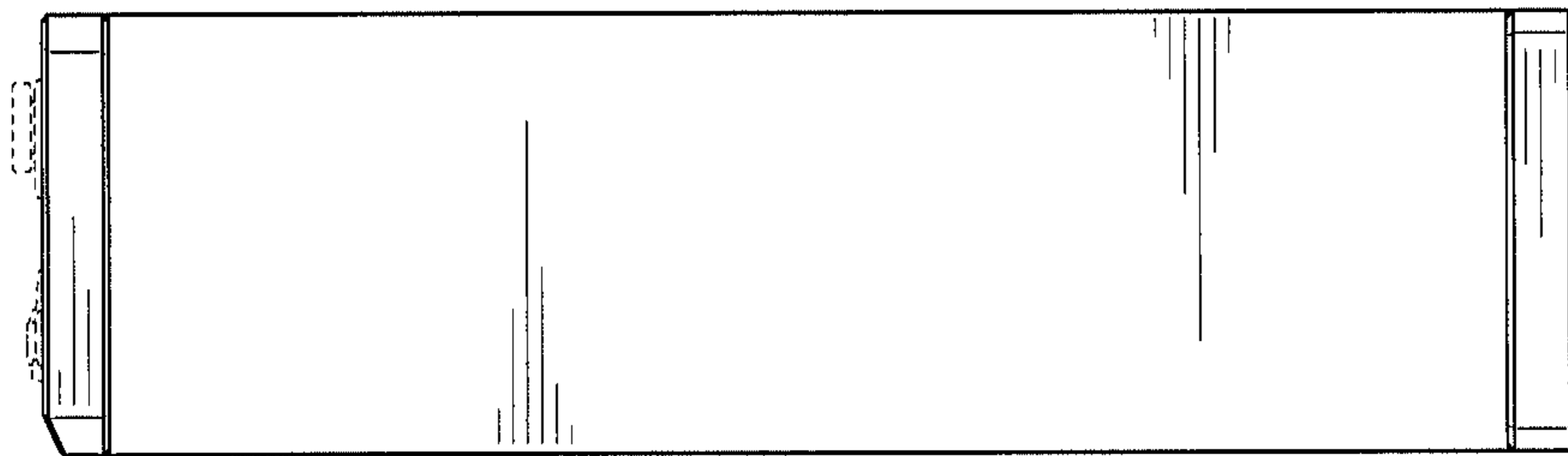


FIG. 5

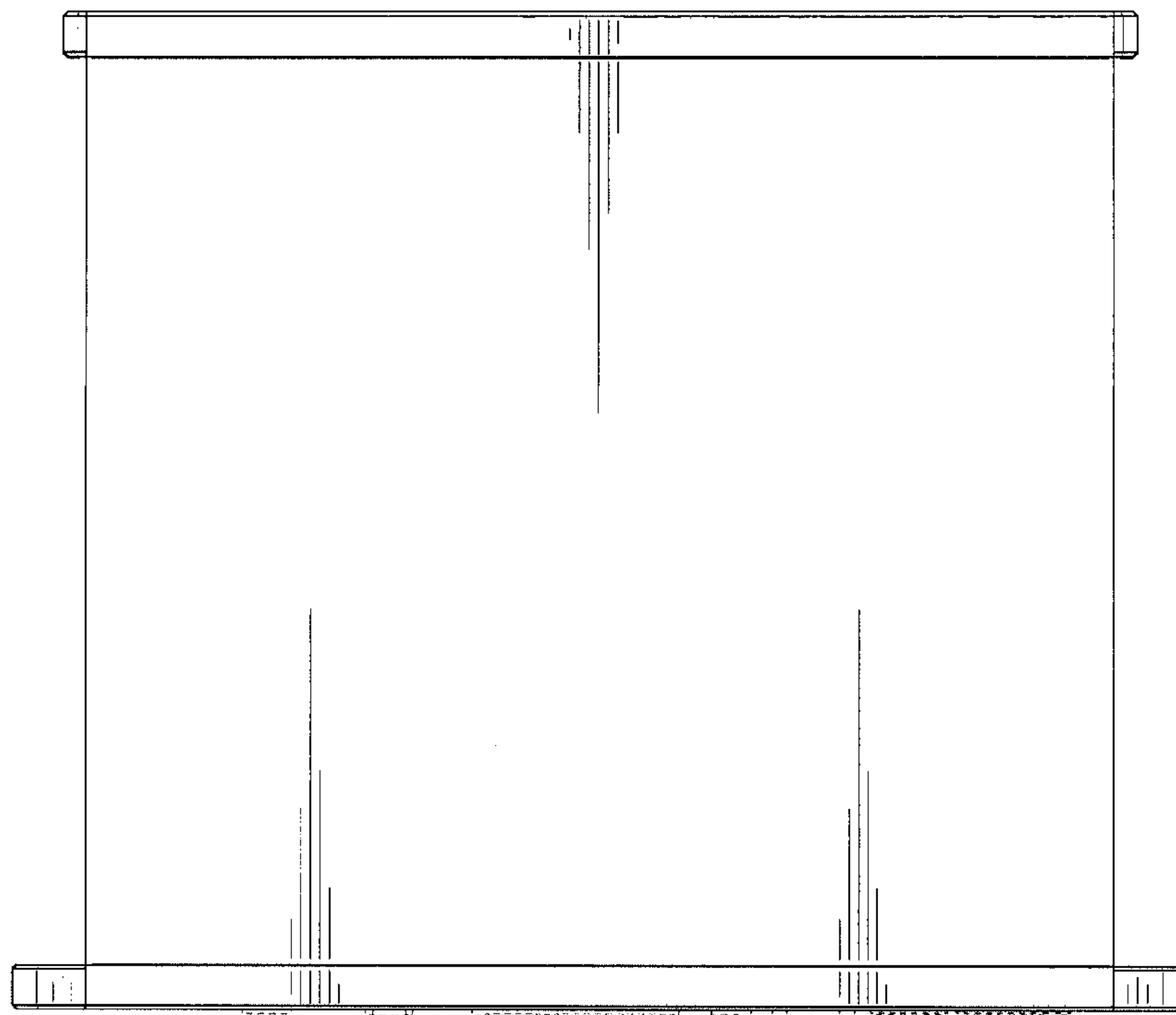


FIG. 6

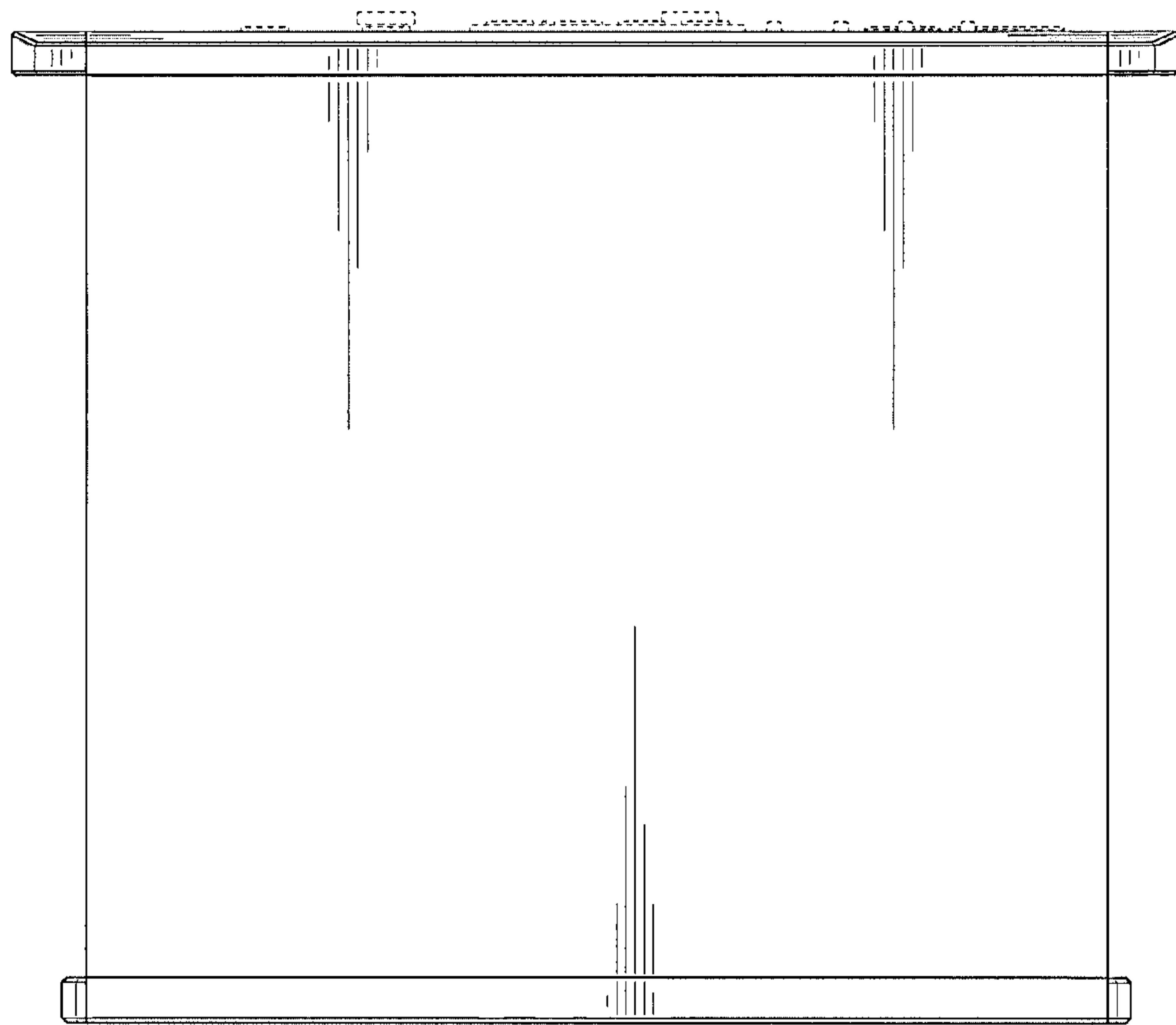


FIG. 7