



US00D743927S

(12) **United States Design Patent**  
**Endo et al.**

(10) **Patent No.:** **US D743,927 S**  
(45) **Date of Patent:** **\*\* Nov. 24, 2015**

(54) **VEHICLE DISPLAY UNIT WITH RADIO TUNER**

(71) Applicant: **Alpine Electronics, Inc.**, Tokyo (JP)

(72) Inventors: **Hideki Endo**, Tokyo (JP); **Masatada Muramoto**, Tokyo (JP); **Mitsuhiro Yashiro**, Tokyo (JP)

(73) Assignee: **Alpine Electronics, Inc.**, Tokyo (JP)

(\*\*) Term: **14 Years**

(21) Appl. No.: **29/492,974**

(22) Filed: **Jun. 4, 2014**

(30) **Foreign Application Priority Data**

Dec. 12, 2013 (JP) ..... 2013-029096

(51) **LOC (10) Cl.** ..... **14-03**

(52) **U.S. Cl.**  
USPC ..... **D14/157**

(58) **Field of Classification Search**  
USPC ..... D12/192, 195, 415, 420; D14/157, 168,  
D14/188, 218, 224, 257-258, 496,  
D14/498-511; 248/27.1, 27.3, 558;  
455/347, 350; D10/65  
See application file for complete search history.

(56) **References Cited**

**U.S. PATENT DOCUMENTS**

D538,769 S \* 3/2007 Nemoto ..... D14/499  
D565,559 S \* 4/2008 Aihara ..... D14/258

D593,133 S \* 5/2009 Yamamoto ..... D14/505  
D620,918 S \* 8/2010 Tomono ..... D14/168  
D630,185 S \* 1/2011 Tomono et al. .... D14/157  
D672,330 S \* 12/2012 Komagamine ..... D14/157  
D679,677 S \* 4/2013 Tomono et al. .... D14/168  
D680,095 S \* 4/2013 Tomono ..... D14/168  
D683,326 S \* 5/2013 Sanlerville ..... D14/157  
D687,807 S \* 8/2013 Tomono ..... D14/168

\* cited by examiner

*Primary Examiner* — Sandra Morris

(74) *Attorney, Agent, or Firm* — Brinks Gilson & Lione

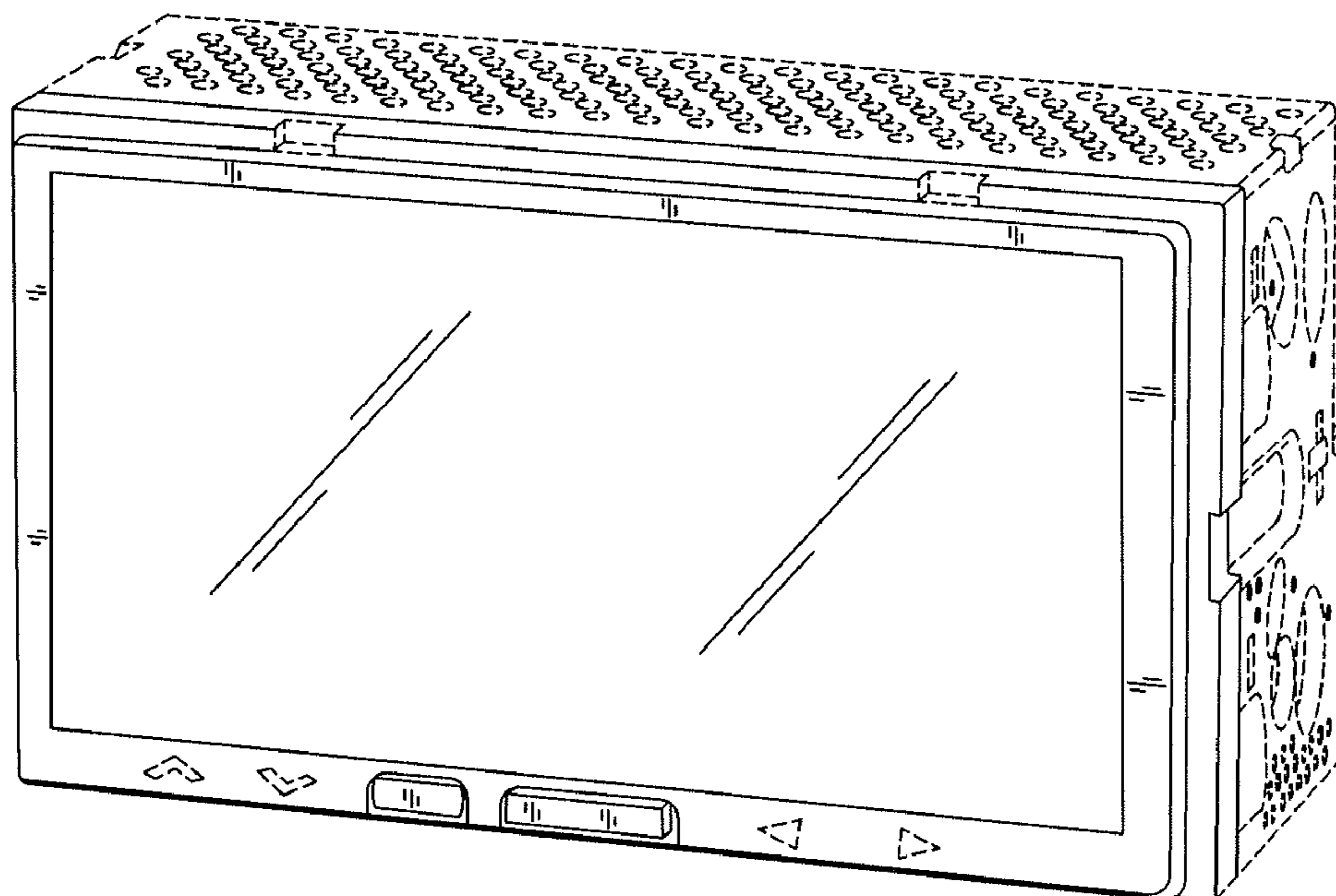
(57) **CLAIM**

The ornamental design of the vehicle display unit with radio tuner, as shown and described.

**DESCRIPTION**

FIG. 1 is a perspective view of a vehicle display unit with radio tuner showing the new design;  
FIG. 2 is a front view thereof;  
FIG. 3 is a rear view thereof;  
FIG. 4 is a top view thereof;  
FIG. 5 is a bottom view thereof;  
FIG. 6 is a right-side view thereof;  
FIG. 7 is a left-side view thereof; and,  
FIG. 8 is a front view thereof, shown with the power on for reference purposes only. The images on the screen of the vehicle display unit with radio tuner with the power on do not form any part of the claimed design.  
The broken lines are for environmental purposes only and do not form any part of the claimed design.

**1 Claim, 8 Drawing Sheets**



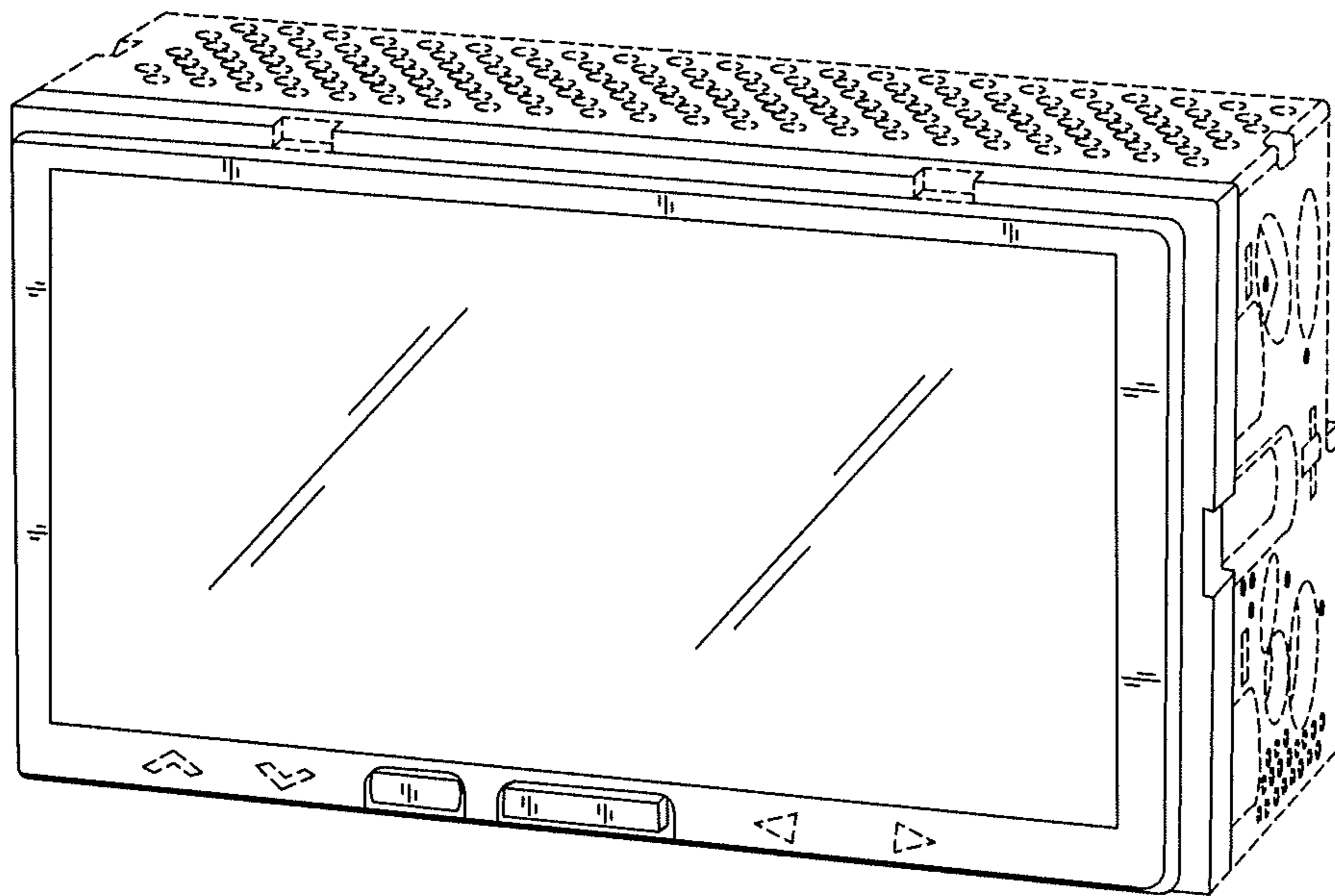


FIG. 1

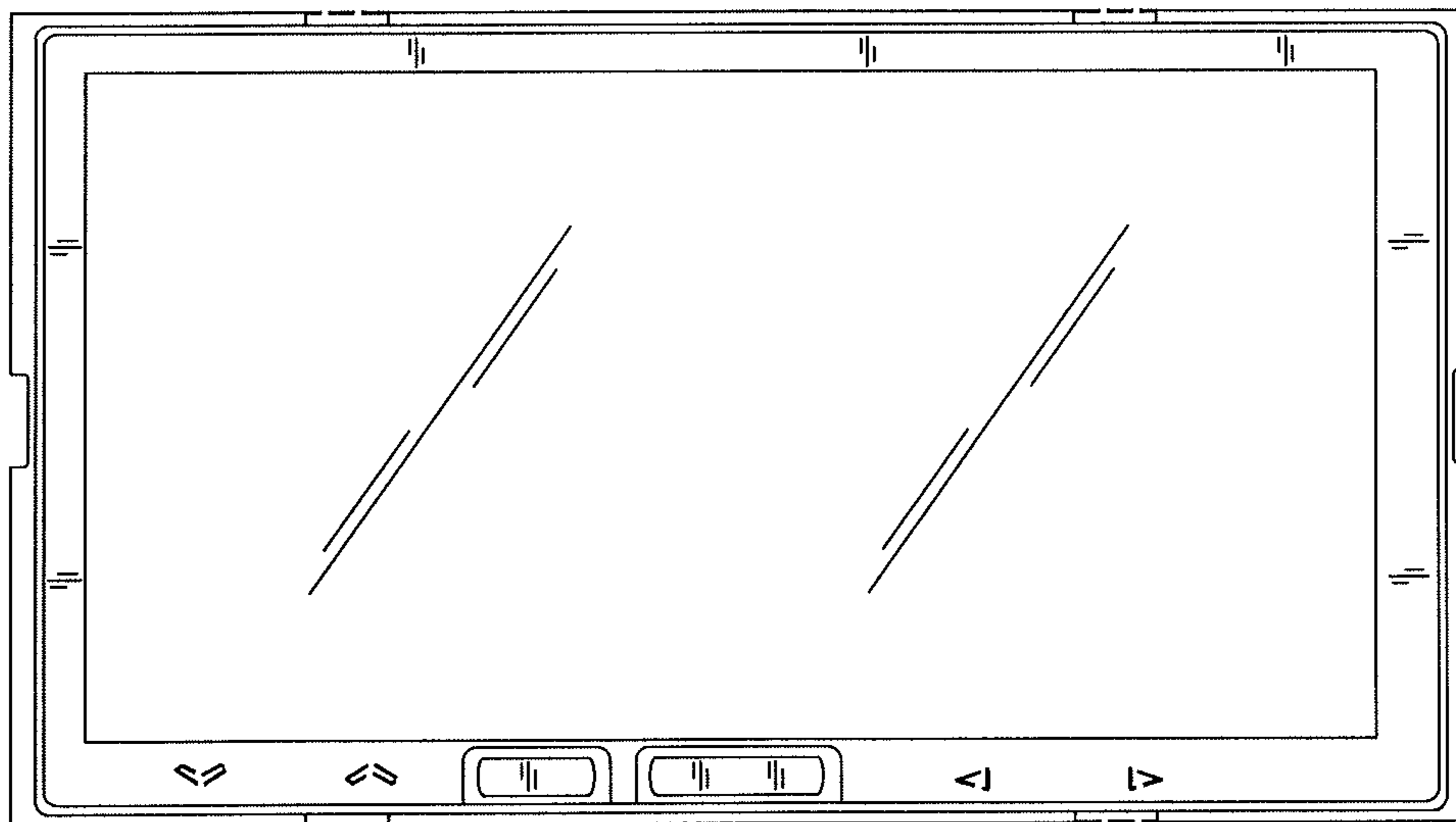


FIG. 2

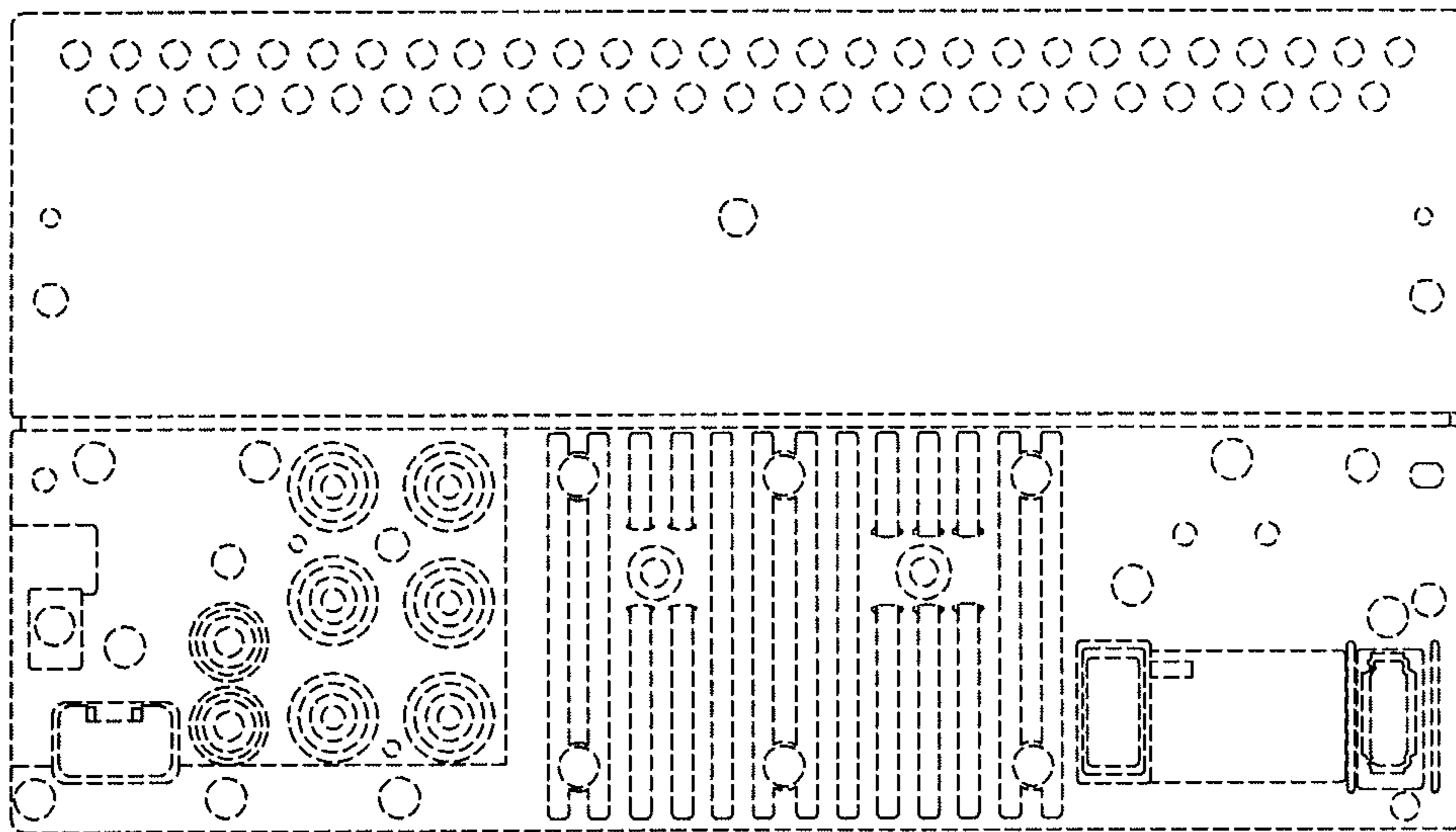


FIG. 3

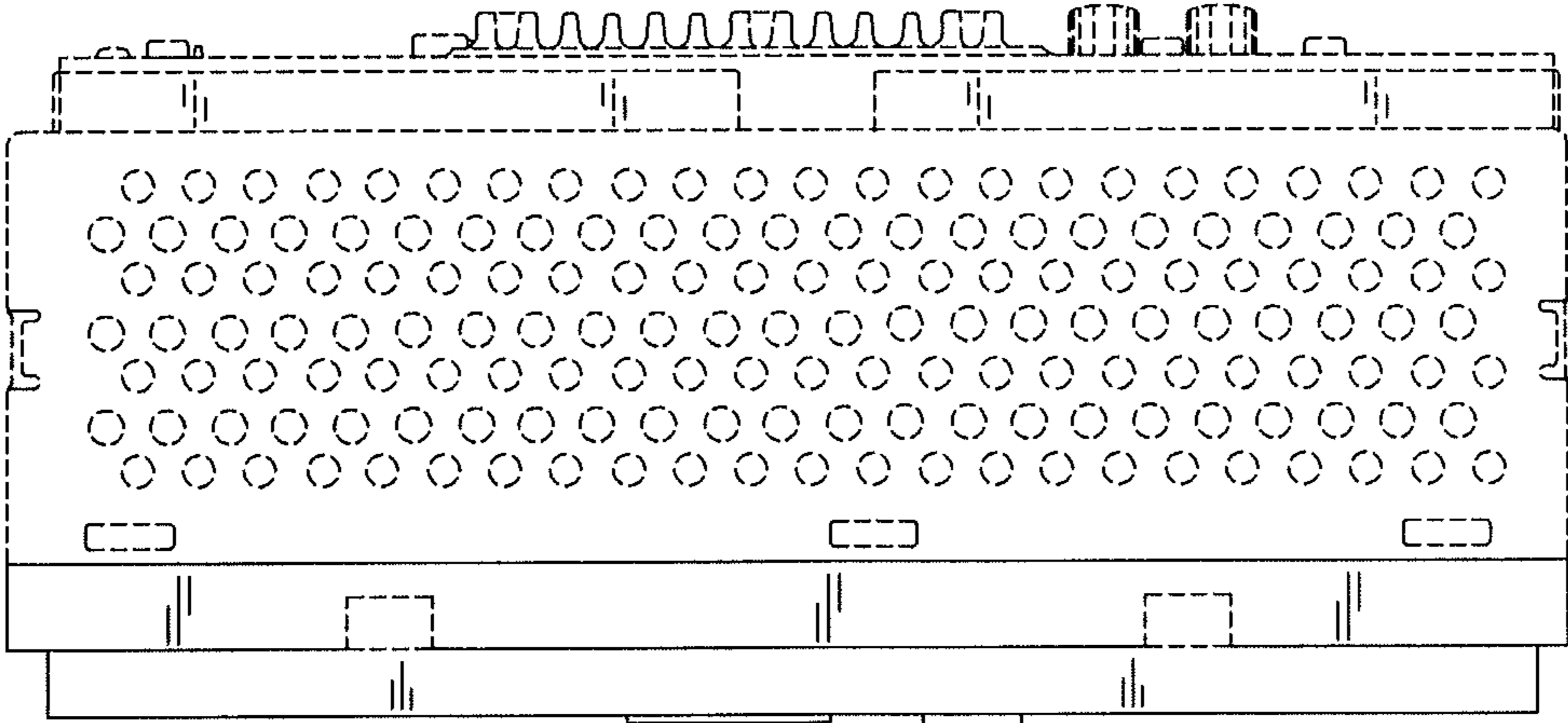


FIG. 4

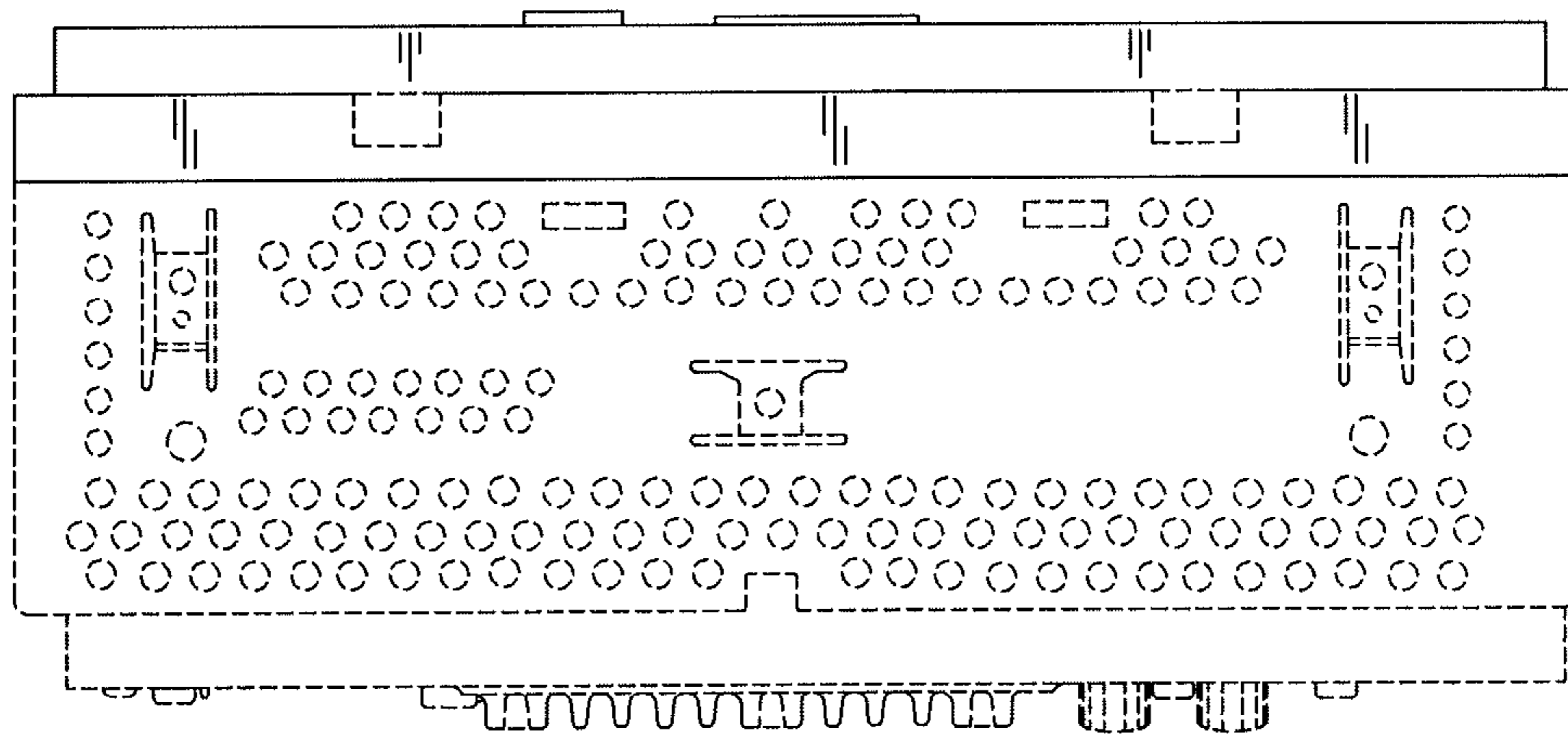
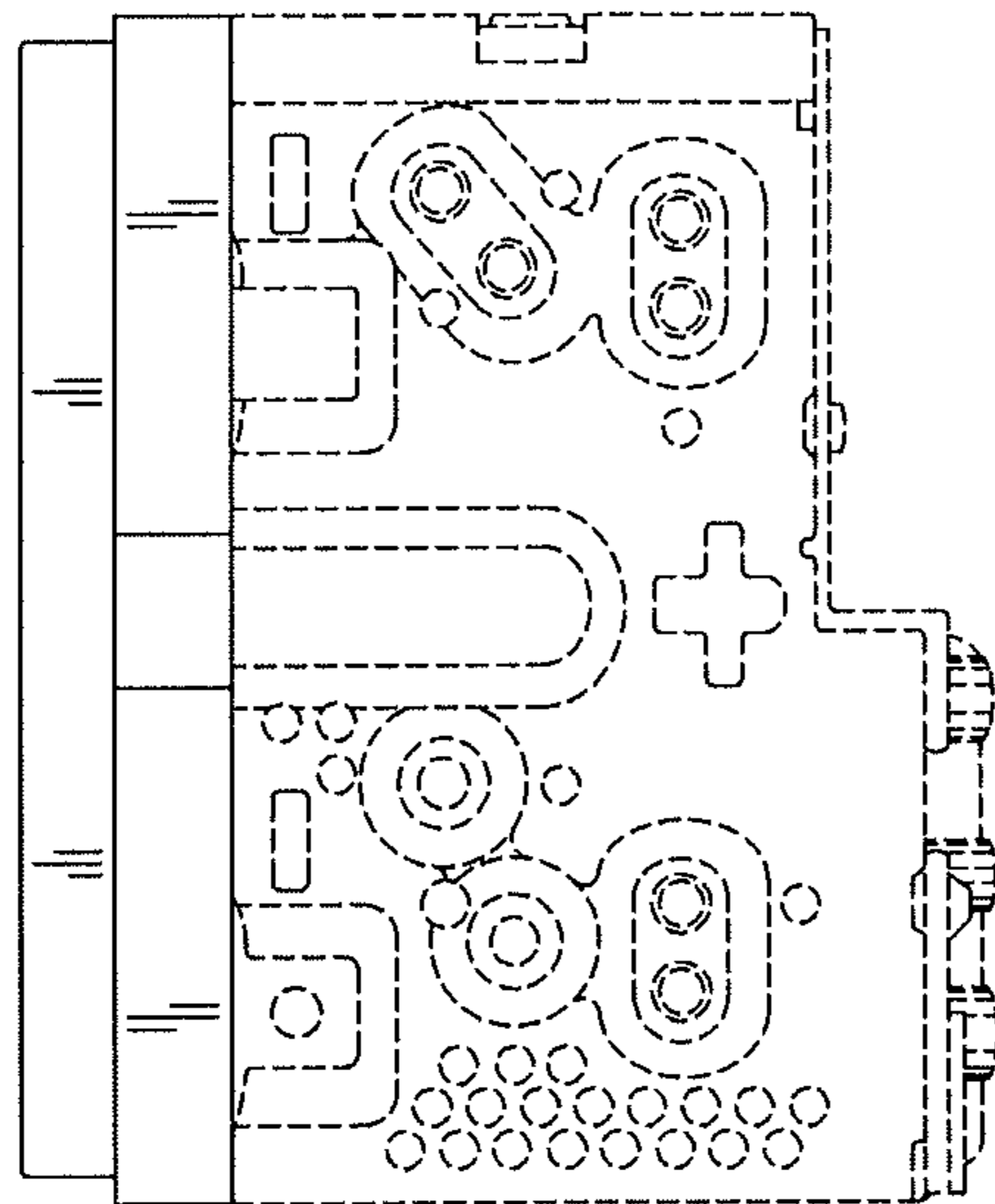
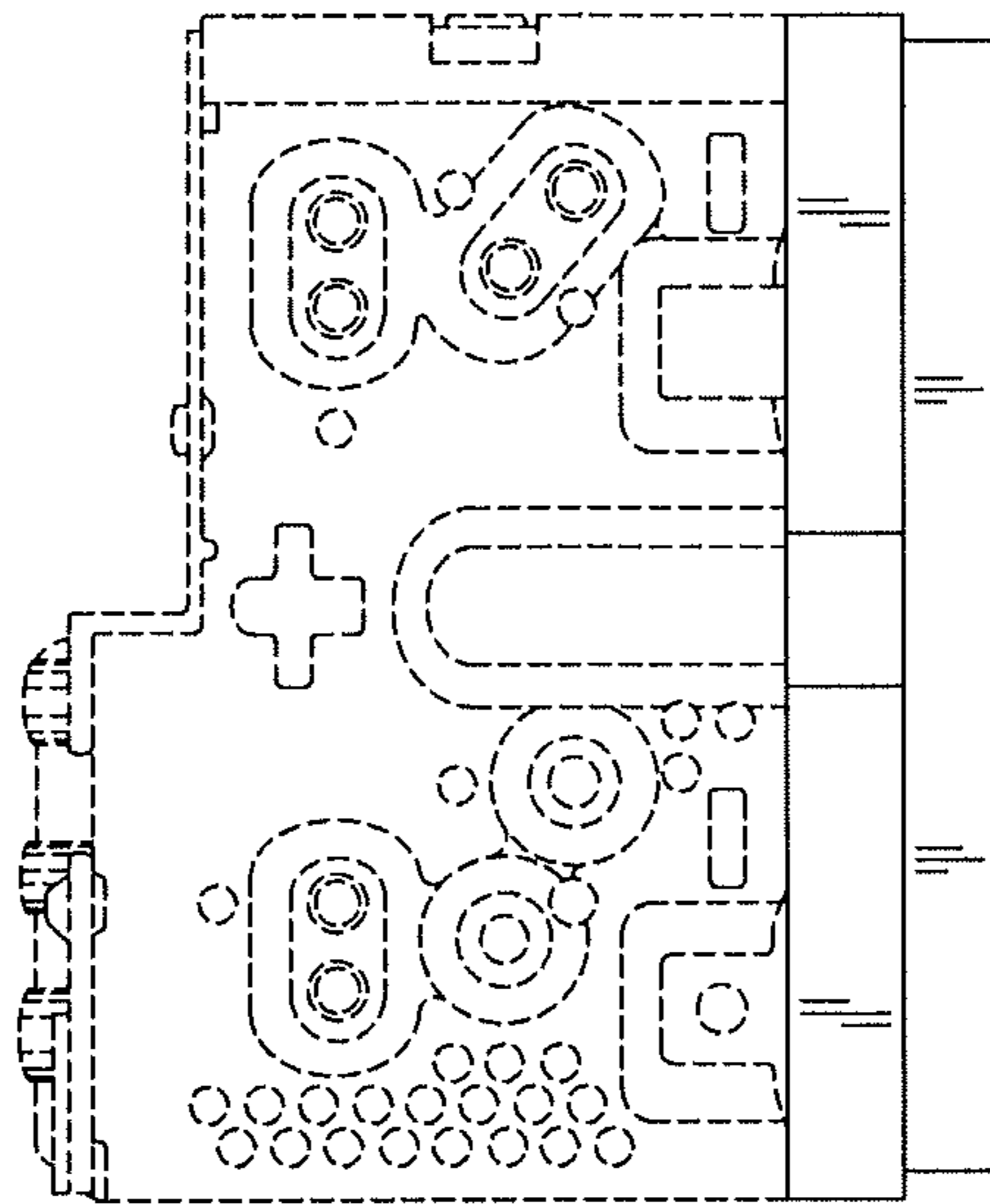


FIG. 5



*FIG. 6*



*FIG. 7*



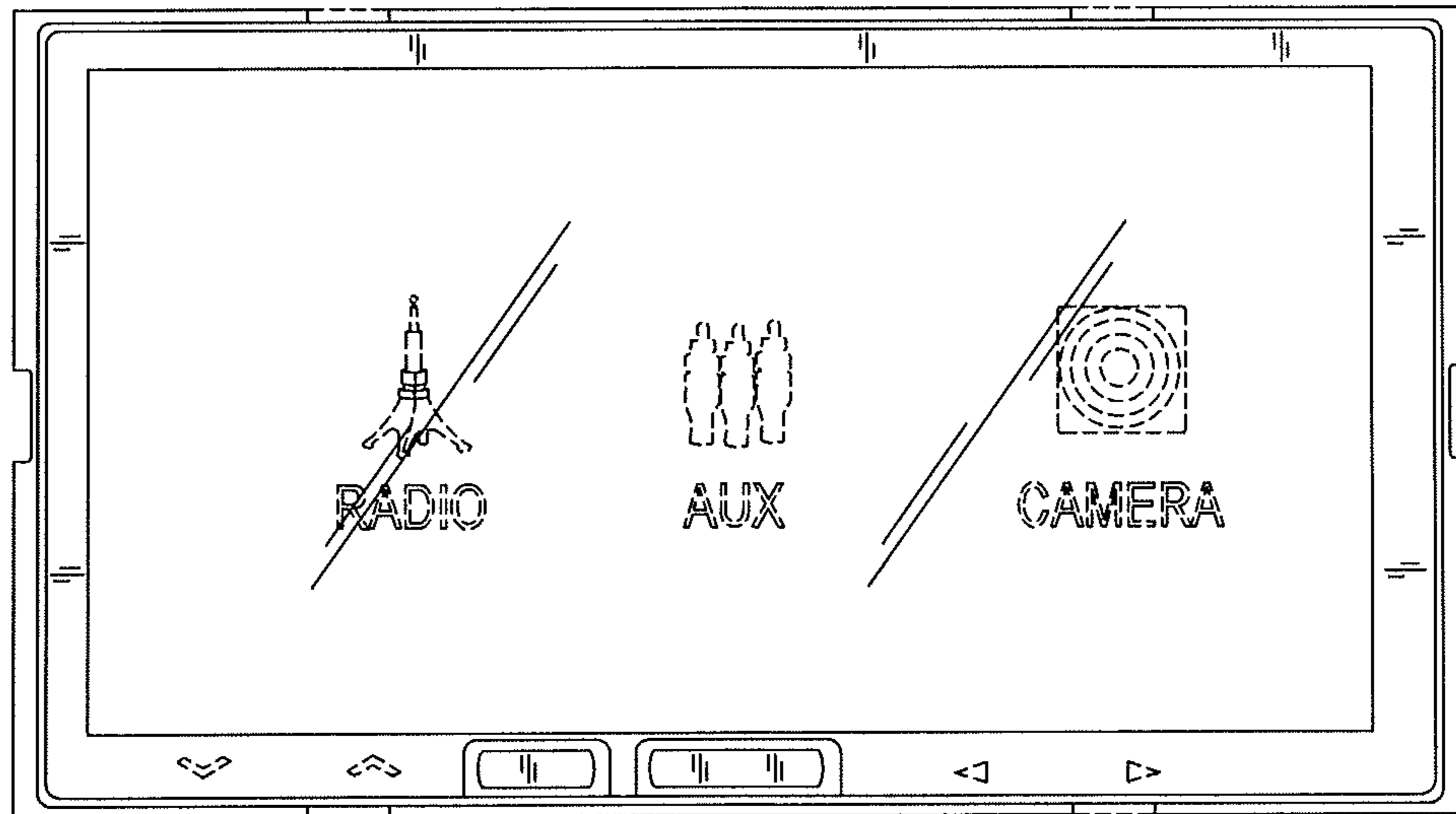


FIG. 8