



US00D743926S

(12) **United States Design Patent**  
**Liao et al.**

(10) **Patent No.:** **US D743,926 S**  
(45) **Date of Patent:** **\*\* Nov. 24, 2015**

(54) **IN-CAR BLUETOOTH FM TRANSMITTER**

(71) Applicants: **Zongwen Liao**, Hechi (CN); **Long Guo**, Hechi (CN)

(72) Inventors: **Zongwen Liao**, Hechi (CN); **Long Guo**, Hechi (CN)

(\*\*) Term: **14 Years**

(21) Appl. No.: **29/490,015**

(22) Filed: **May 6, 2014**

(51) **LOC (10) Cl.** ..... **14-03**

(52) **U.S. Cl.**  
USPC ..... **D14/155**

(58) **Field of Classification Search**  
USPC ..... D14/167, 154, 168, 188, 496, 156, 160,  
D14/161, 162, 163, 164, 165, 158, 341, 346,  
D14/342, 345, 137, 155, 218, 225;  
D16/208; D26/38; 455/351, 350;  
D10/104.1, 106, 65  
CPC ... H04B 1/385; H04M 1/6091; H04M 1/6066  
See application file for complete search history.

(56) **References Cited**

**U.S. PATENT DOCUMENTS**

D430,547 S \* 9/2000 Yoon ..... D14/142  
D473,217 S \* 4/2003 Rivera ..... D14/223

D522,487 S \* 6/2006 Lee ..... D14/155  
D559,227 S \* 1/2008 Kim ..... D14/155  
8,036,609 B2 \* 10/2011 Everett ..... H04B 1/02  
455/103  
D709,891 S \* 7/2014 Alesi ..... D14/433  
D726,831 S \* 4/2015 Lee ..... D13/168  
D728,508 S \* 5/2015 Breines ..... D14/155  
2005/0123147 A1 \* 6/2005 Everett ..... H04B 1/02  
381/79

\* cited by examiner

*Primary Examiner* — Austin Murphy

(74) *Attorney, Agent, or Firm* — Shimokaji IP

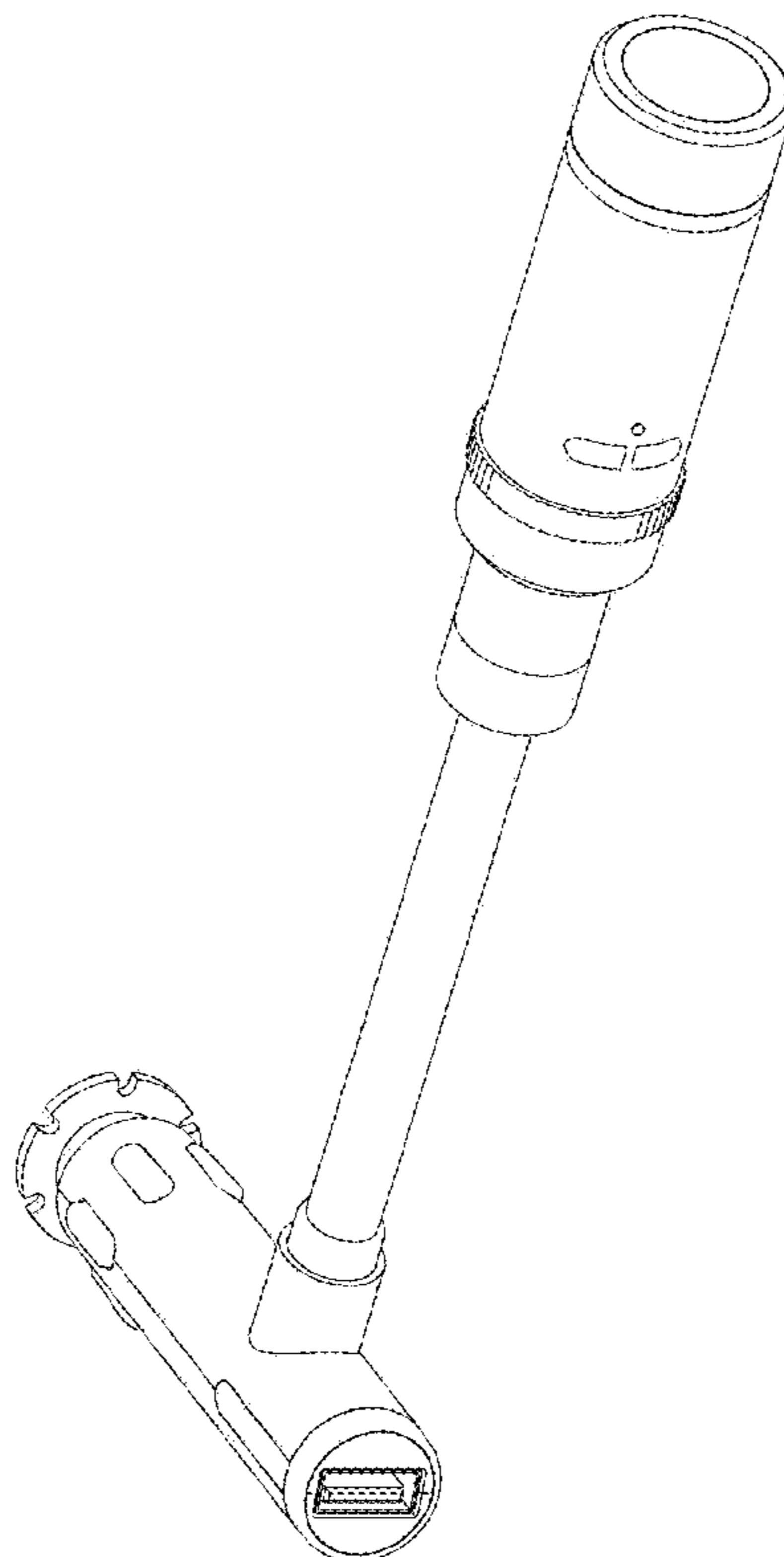
(57) **CLAIM**

The ornamental design for an in-car bluetooth FM transmitter, as shown and described.

**DESCRIPTION**

FIG. 1 is a perspective view of an in-car bluetooth FM transmitter showing our new design;  
FIG. 2 is a front elevational view thereof;  
FIG. 3 is a rear elevational view thereof;  
FIG. 4 is a left side elevational view thereof;  
FIG. 5 is a right side elevational view thereof;  
FIG. 6 is a top plan view thereof; and,  
FIG. 7 is a bottom plan view thereof.

**1 Claim, 6 Drawing Sheets**



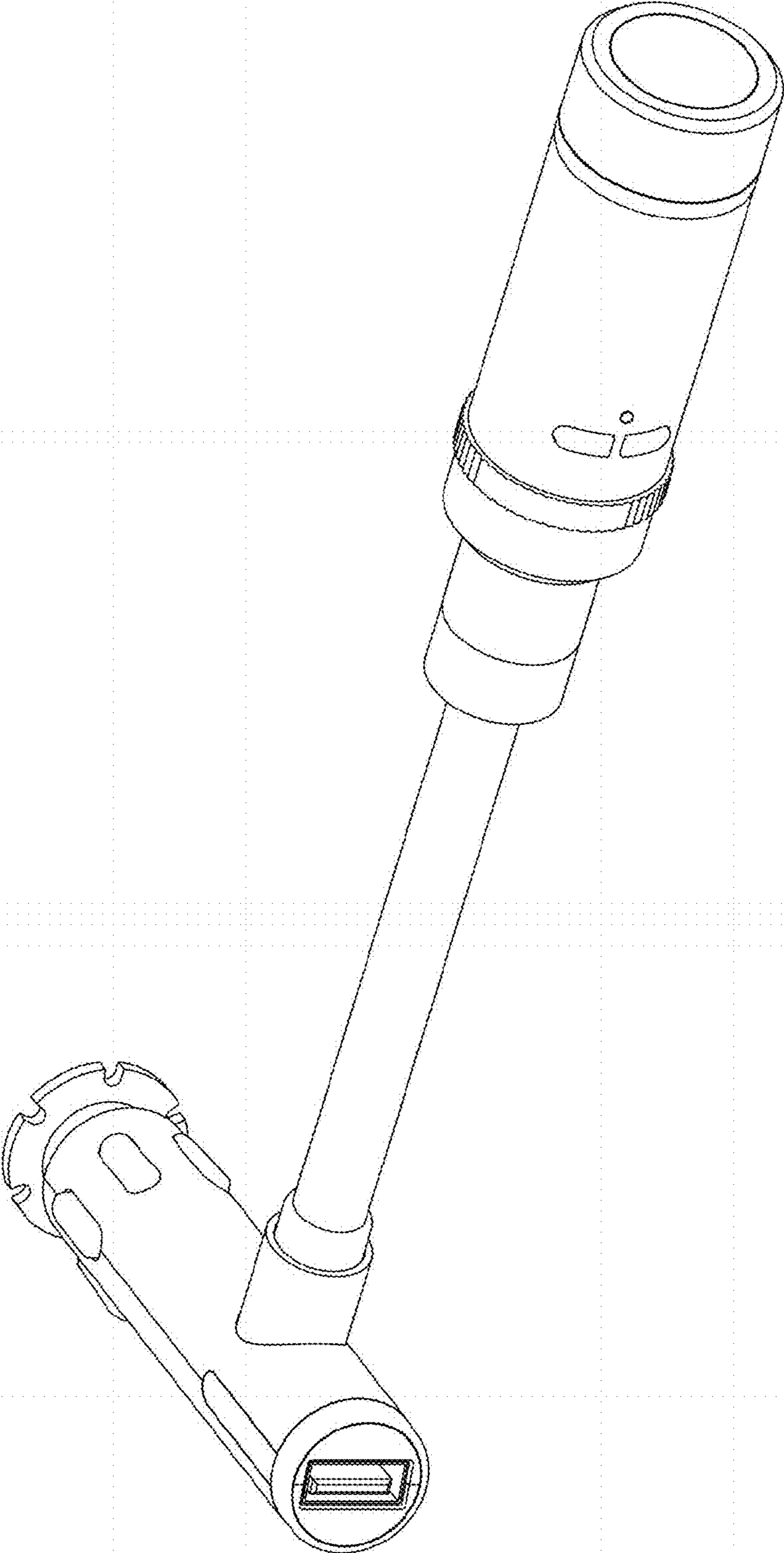


FIG. 1

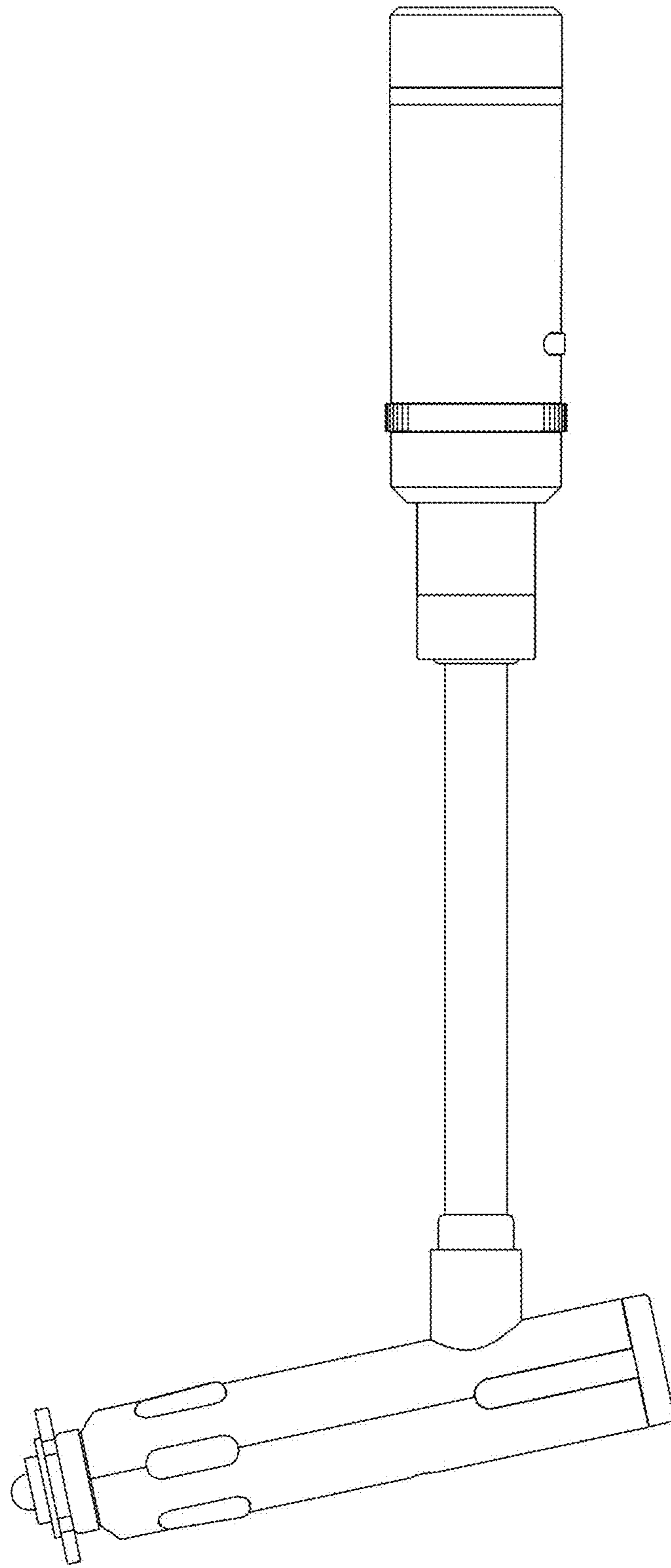


FIG. 2

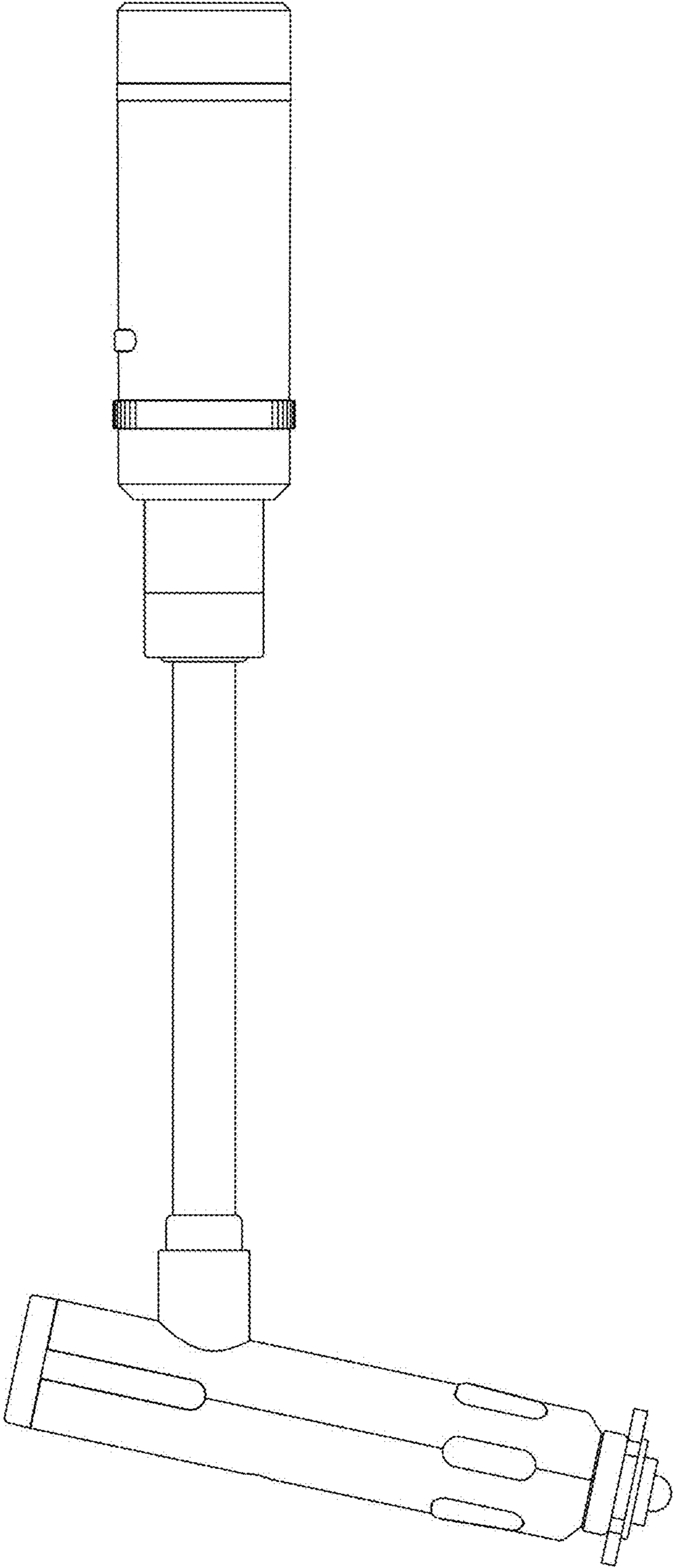


FIG. 3

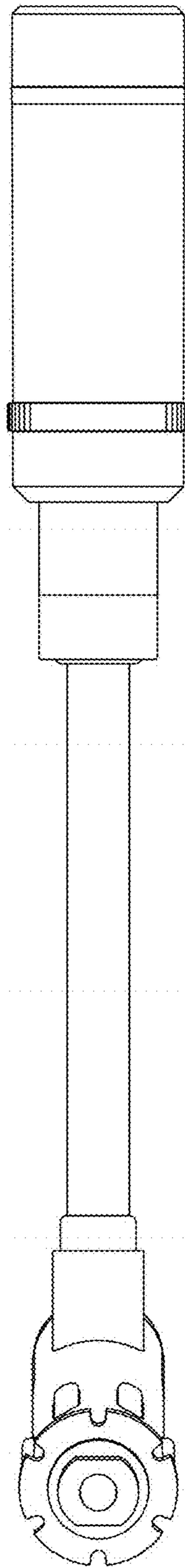


FIG. 4

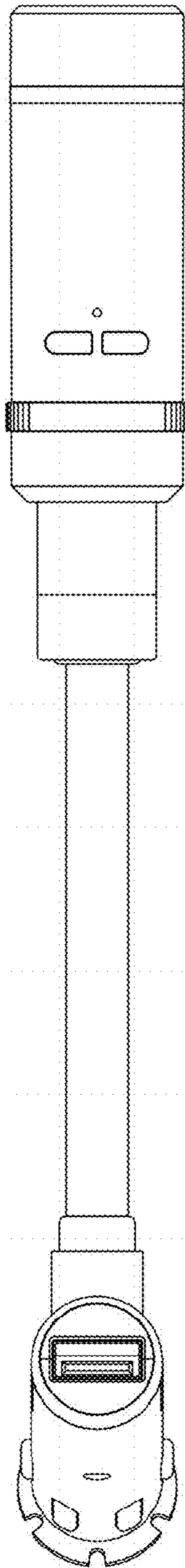


FIG. 5

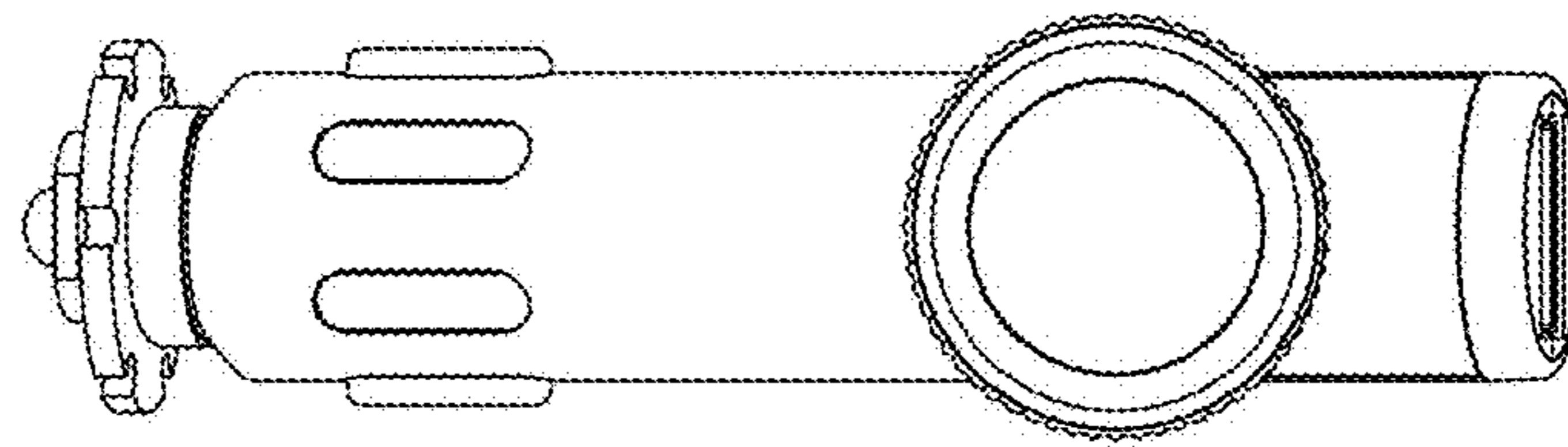


FIG. 6

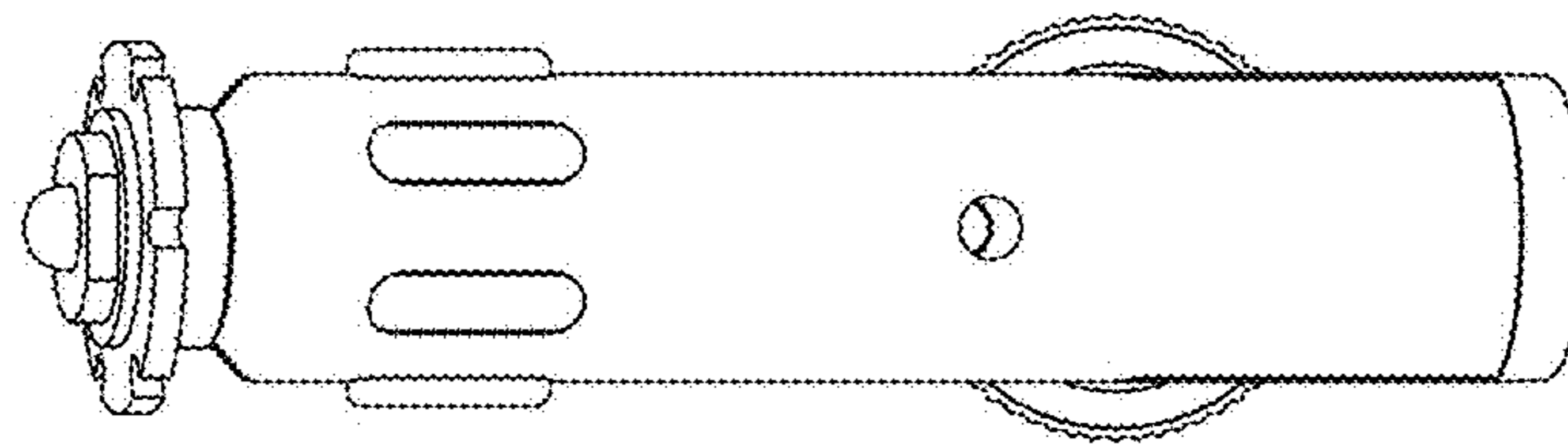


FIG. 7