



US00D743921S

(12) **United States Design Patent**
Lv et al.

(10) **Patent No.:** **US D743,921 S**
(45) **Date of Patent:** **** Nov. 24, 2015**

(54) **TELEVISION**

(71) Applicant: **Hisense Electric CO., LTD.**, Qingdao, Shandong Province (CN)

(72) Inventors: **Jigang Lv**, Qingdao (CN); **Kunqiang Dou**, Qingdao (CN); **Xuanwei Zhang**, Qingdao (CN)

(73) Assignee: **HISENSE ELECTRIC CO., LTD.**, Qingdao, Shandong Province (CN)

(**) Term: **14 Years**

(21) Appl. No.: **29/478,173**

(22) Filed: **Dec. 31, 2013**

(51) **LOC (10) Cl.** **14-03**

(52) **U.S. Cl.**
USPC **D14/126**

(58) **Field of Classification Search**
USPC D14/125-134, 239, 371, 374-377, 450, D14/448, 336, 159; D6/300; D10/15, 26; D21/329, 331, 333, 515, 577; 312/7.2; 345/104, 156, 168, 87, 173, 690; 446/175, 484; 273/148 B; 248/917-924, 274.1, 465; 348/836, 348/838, 180, 184, 325, 739
CPC H05K 5/0004; H05K 5/0017; H05K 5/02; H05K 5/0216; G06F 1/1601; G06F 1/1643
See application file for complete search history.

(56) **References Cited**

U.S. PATENT DOCUMENTS

| | | | | |
|--------------|---------|-------------|-------|---------|
| D649,950 S * | 12/2011 | Chiu | | D14/126 |
| D653,636 S * | 2/2012 | Lee et al. | | D14/126 |
| D663,705 S * | 7/2012 | Park et al. | | D14/126 |
| D682,229 S * | 5/2013 | Lee et al. | | D14/126 |
| D682,232 S * | 5/2013 | Lee et al. | | D14/126 |
| D686,584 S * | 7/2013 | Yoo et al. | | D14/126 |

| | | | | |
|--------------|---------|--------------|-------|---------|
| D694,210 S * | 11/2013 | Fujii et al. | | D14/126 |
| D699,698 S * | 2/2014 | Jeon et al. | | D14/126 |
| D700,155 S * | 2/2014 | McManigal | | D14/126 |
| D700,156 S * | 2/2014 | Lv et al. | | D14/126 |
| D705,185 S * | 5/2014 | Jeon et al. | | D14/126 |
| D719,538 S * | 12/2014 | Lee et al. | | D14/126 |
| D719,539 S * | 12/2014 | Ryu et al. | | D14/126 |
| D720,316 S * | 12/2014 | Huh et al. | | D14/126 |
| D724,042 S * | 3/2015 | Chang | | D14/126 |
| D725,621 S * | 3/2015 | Kim et al. | | D14/126 |

* cited by examiner

Primary Examiner — Eric Goodman

Assistant Examiner — Clese Moore, Jr.

(74) *Attorney, Agent, or Firm* — Cheng-Ju Chiang

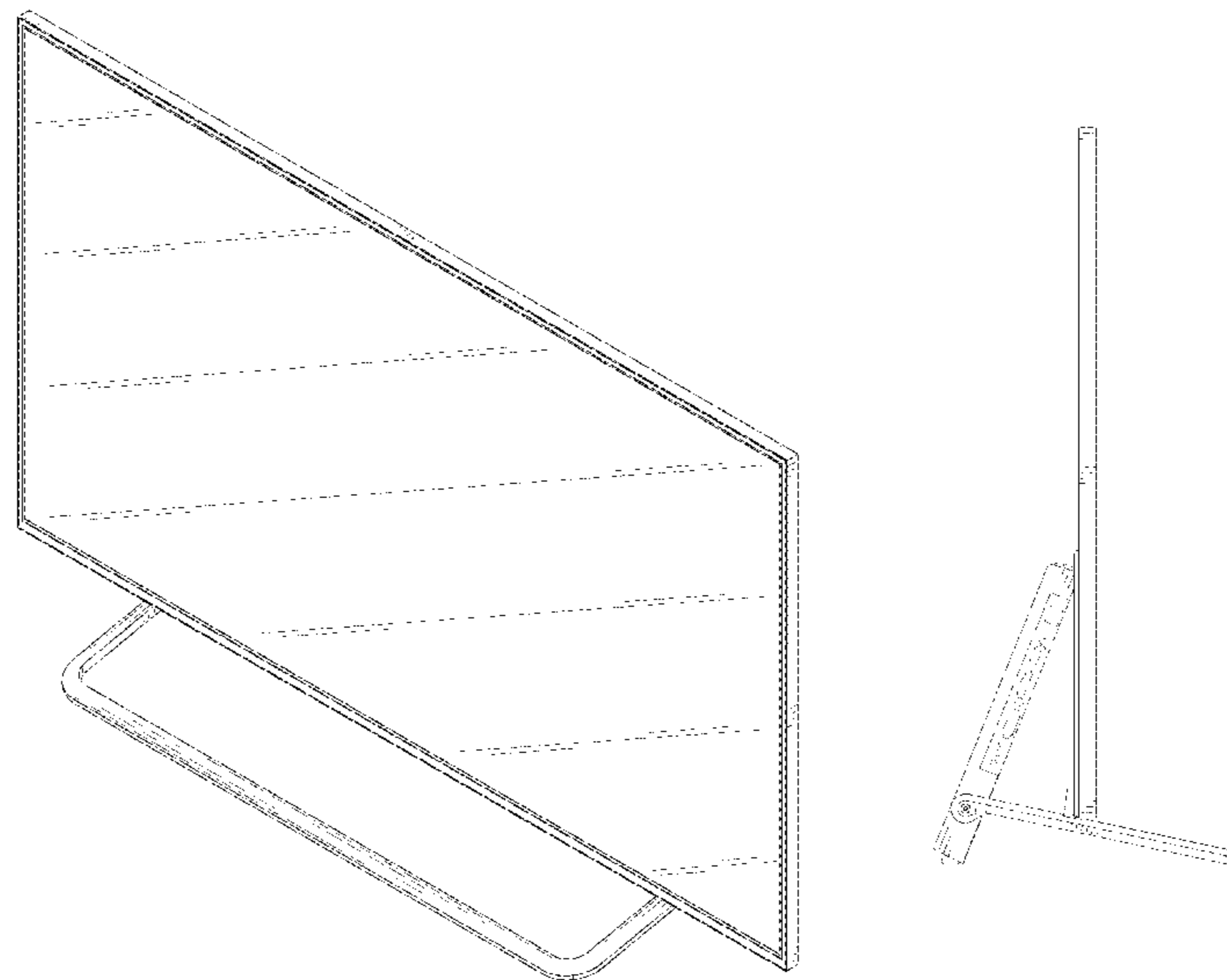
(57) **CLAIM**

The ornamental design for a television, as shown and described.

DESCRIPTION

FIG. 1 is a perspective view of a television of the present invention in a first state thereof with a support extending out; FIG. 2 is a front elevational view thereof; FIG. 3 is a rear elevational view thereof; FIG. 4 is a left side elevational view thereof; FIG. 5 is a right side elevational view thereof; FIG. 6 is a top plan view thereof; and FIG. 7 is a bottom plan view thereof; FIG. 8 is a perspective view of the television of the present invention in a second state thereof with the support retracting; FIG. 9 is a front elevational view thereof; FIG. 10 is a rear elevational view thereof; FIG. 11 is a left side elevational view thereof; FIG. 12 is a right side elevational view thereof; FIG. 13 is a top plan view thereof; and, FIG. 14 is a bottom plan view thereof. The broken lines shown in the drawings illustrate portions of the television that form no part of the claimed design.

1 Claim, 10 Drawing Sheets



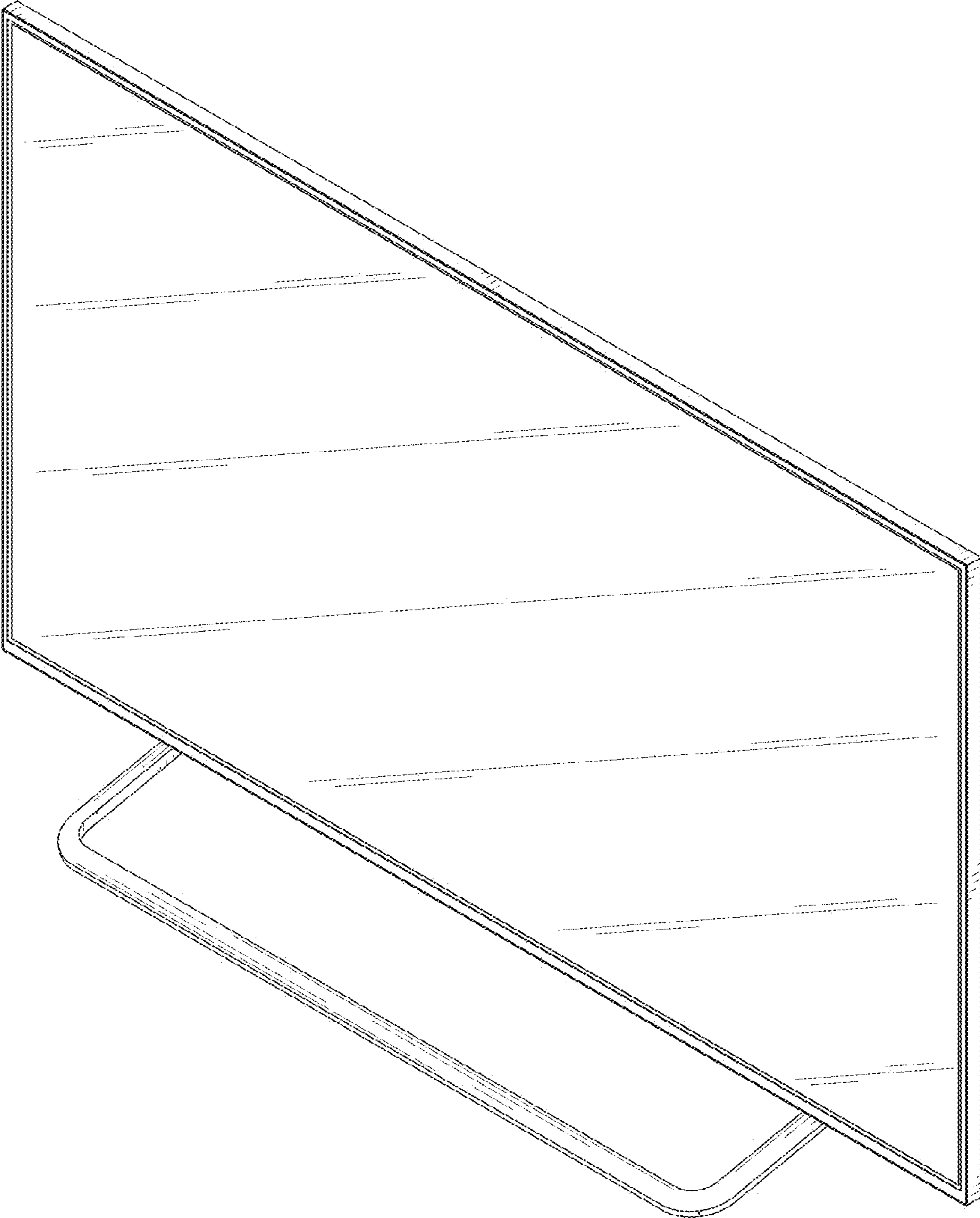


FIG. 1

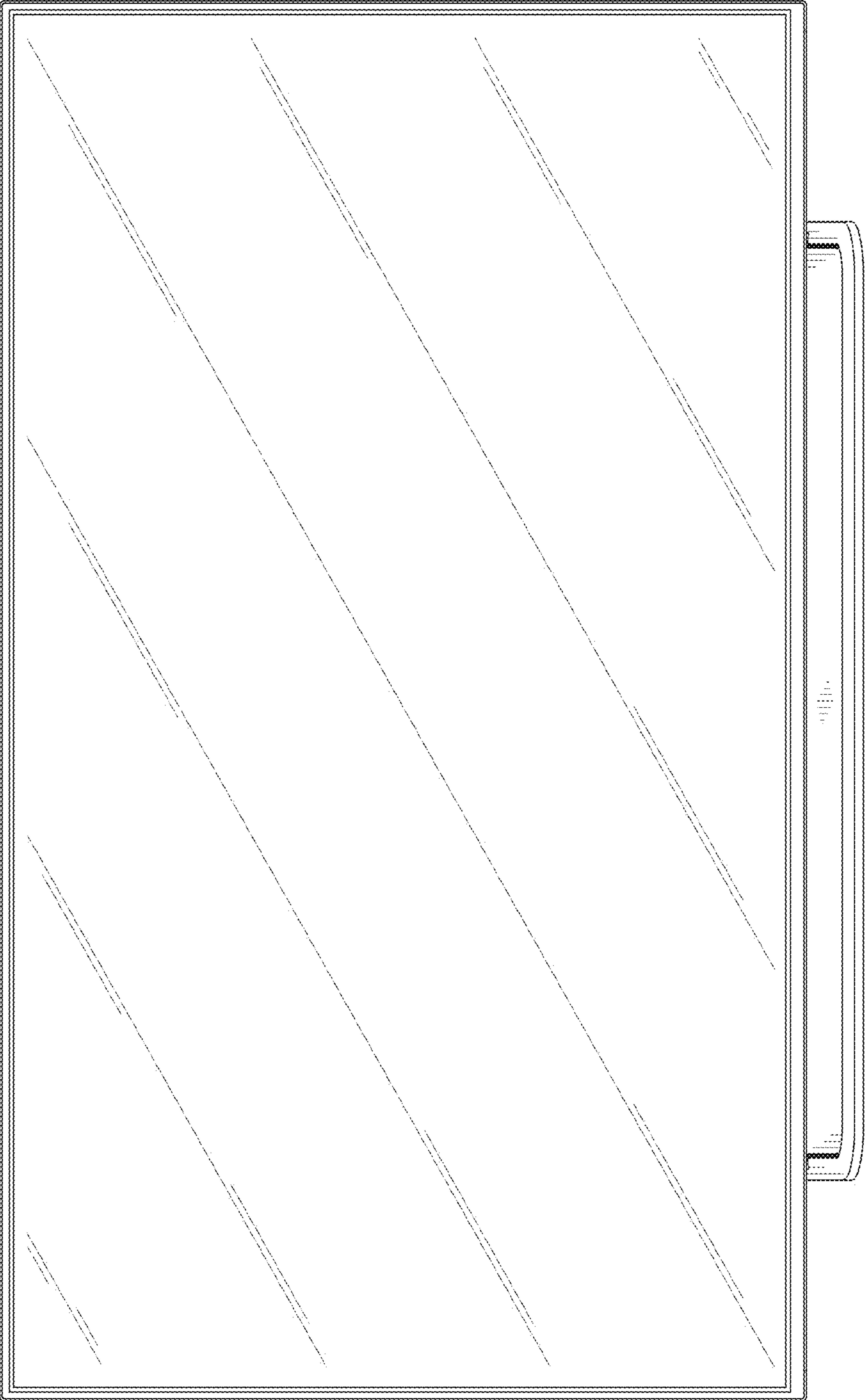


FIG. 2

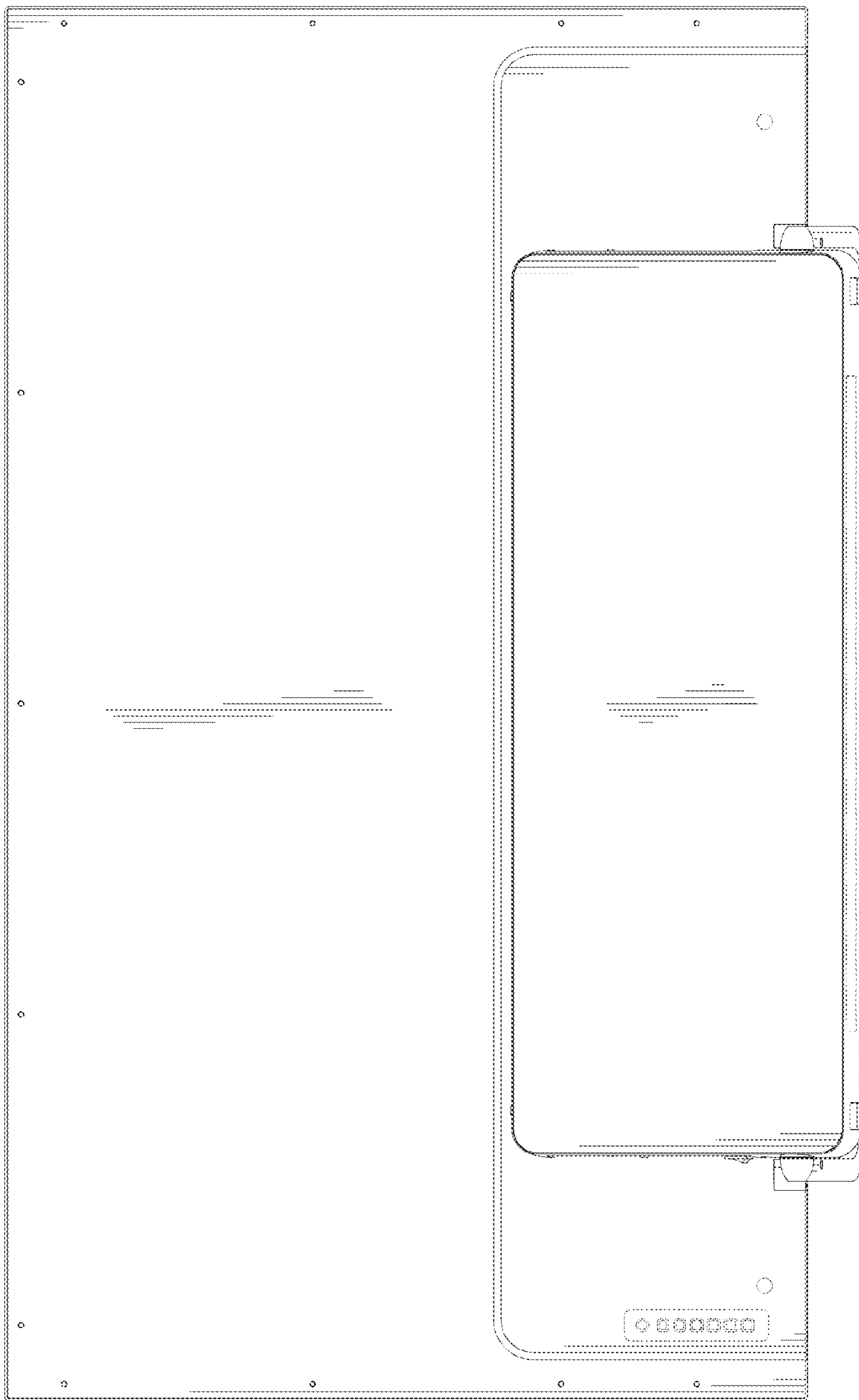


FIG. 3

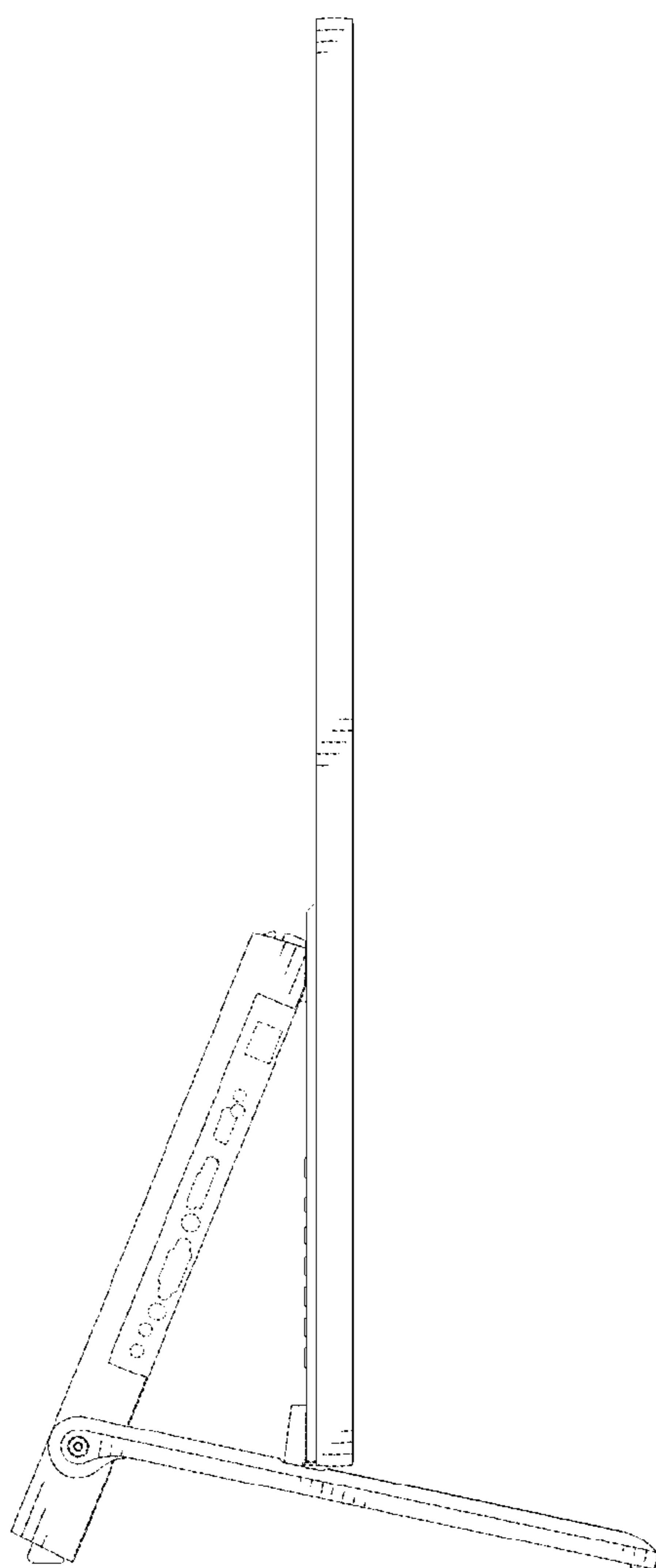


FIG. 4

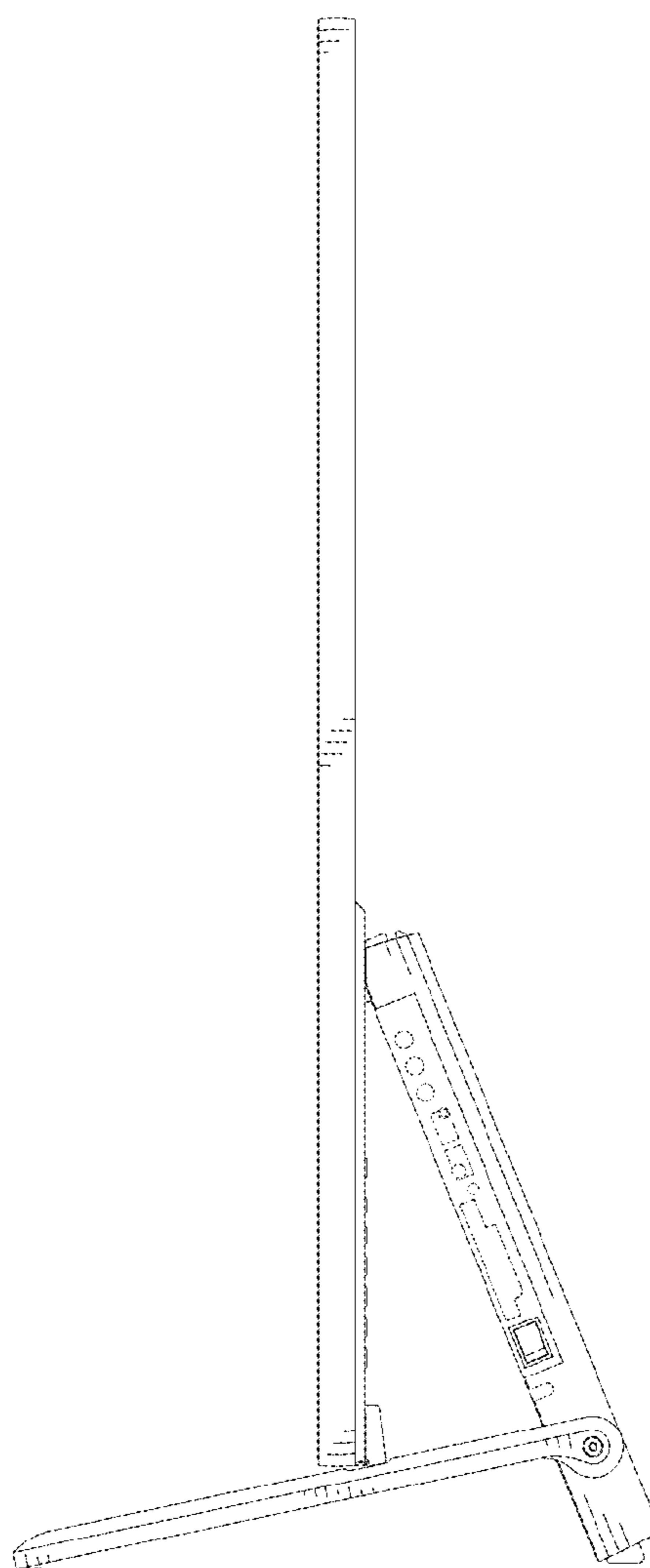


FIG. 5

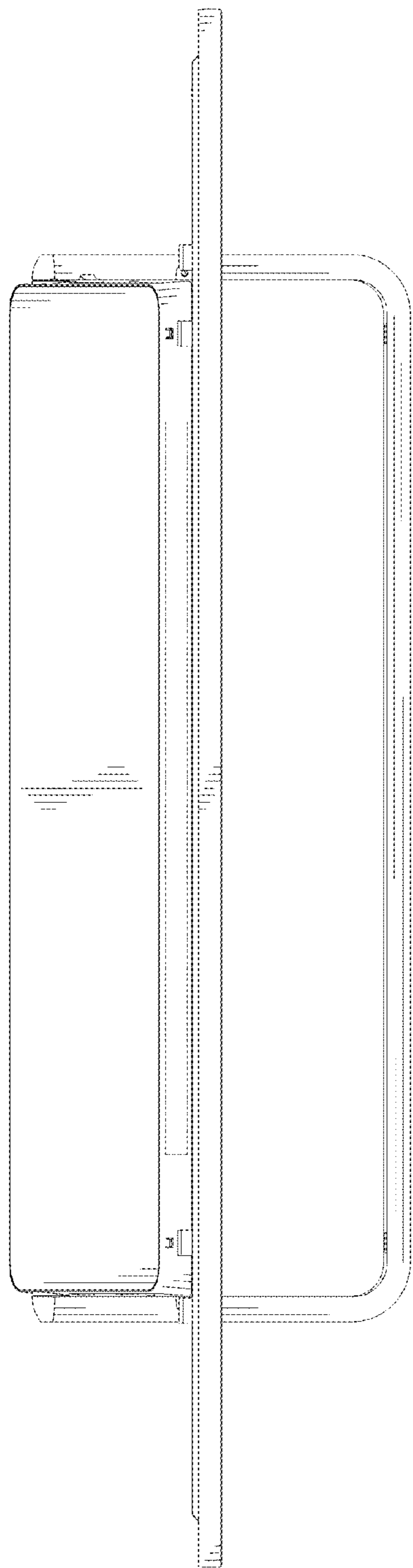


FIG. 6

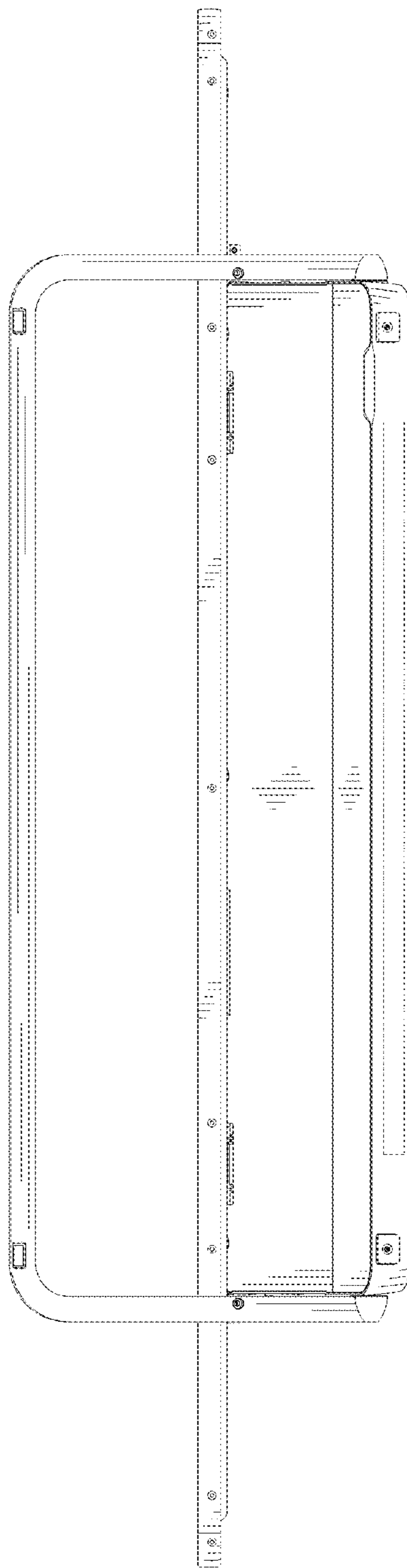


FIG. 7

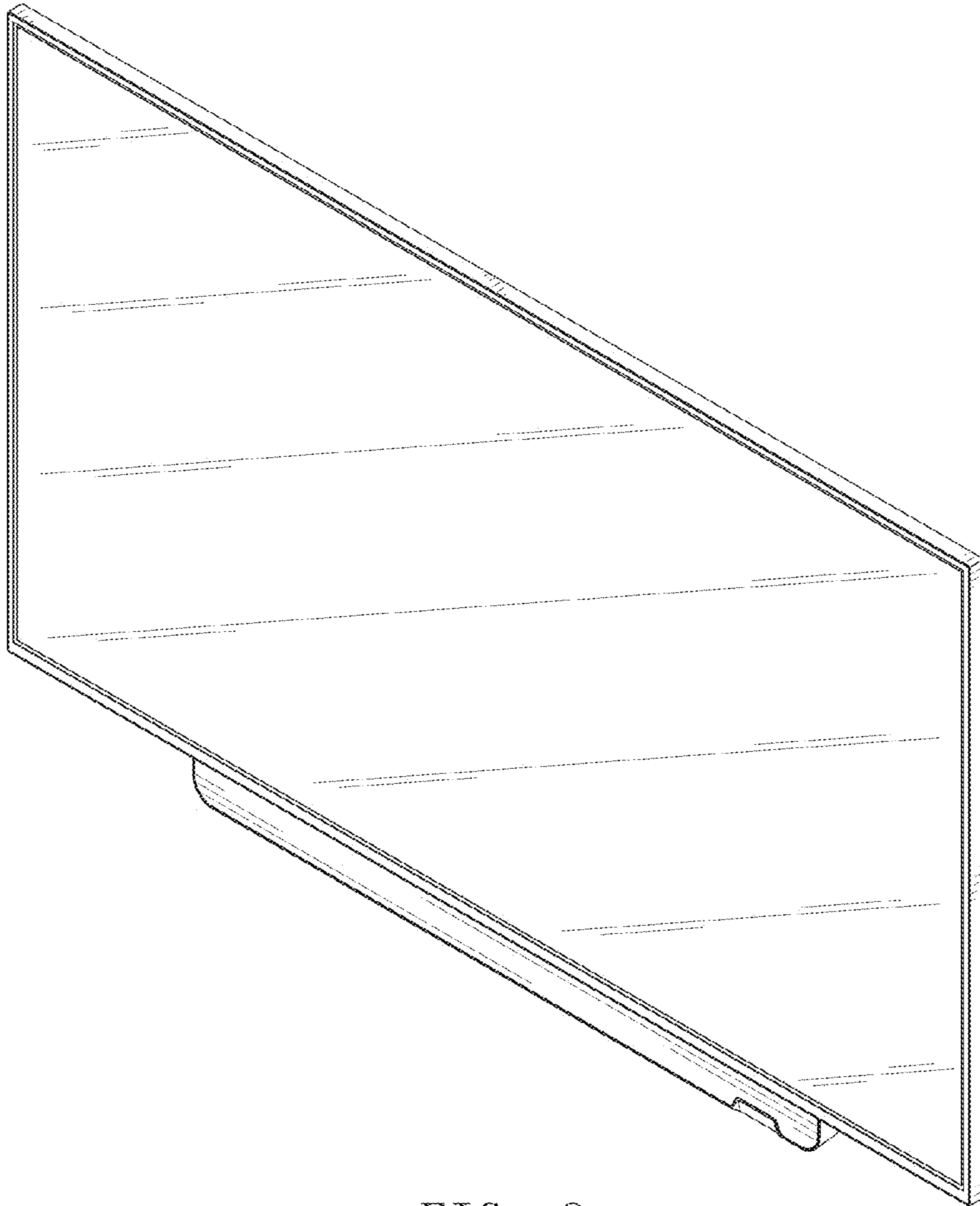


FIG. 8

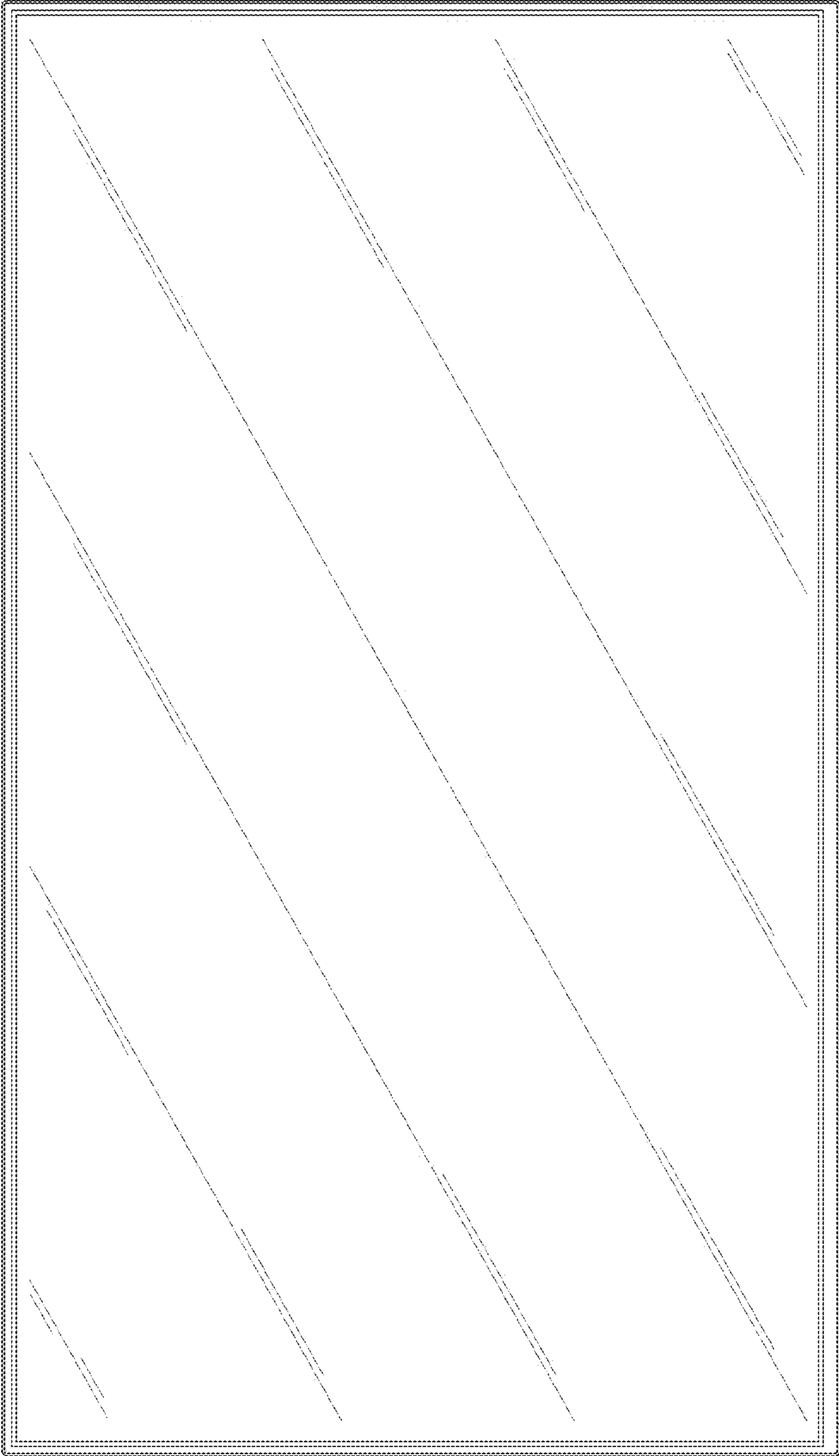


FIG. 9

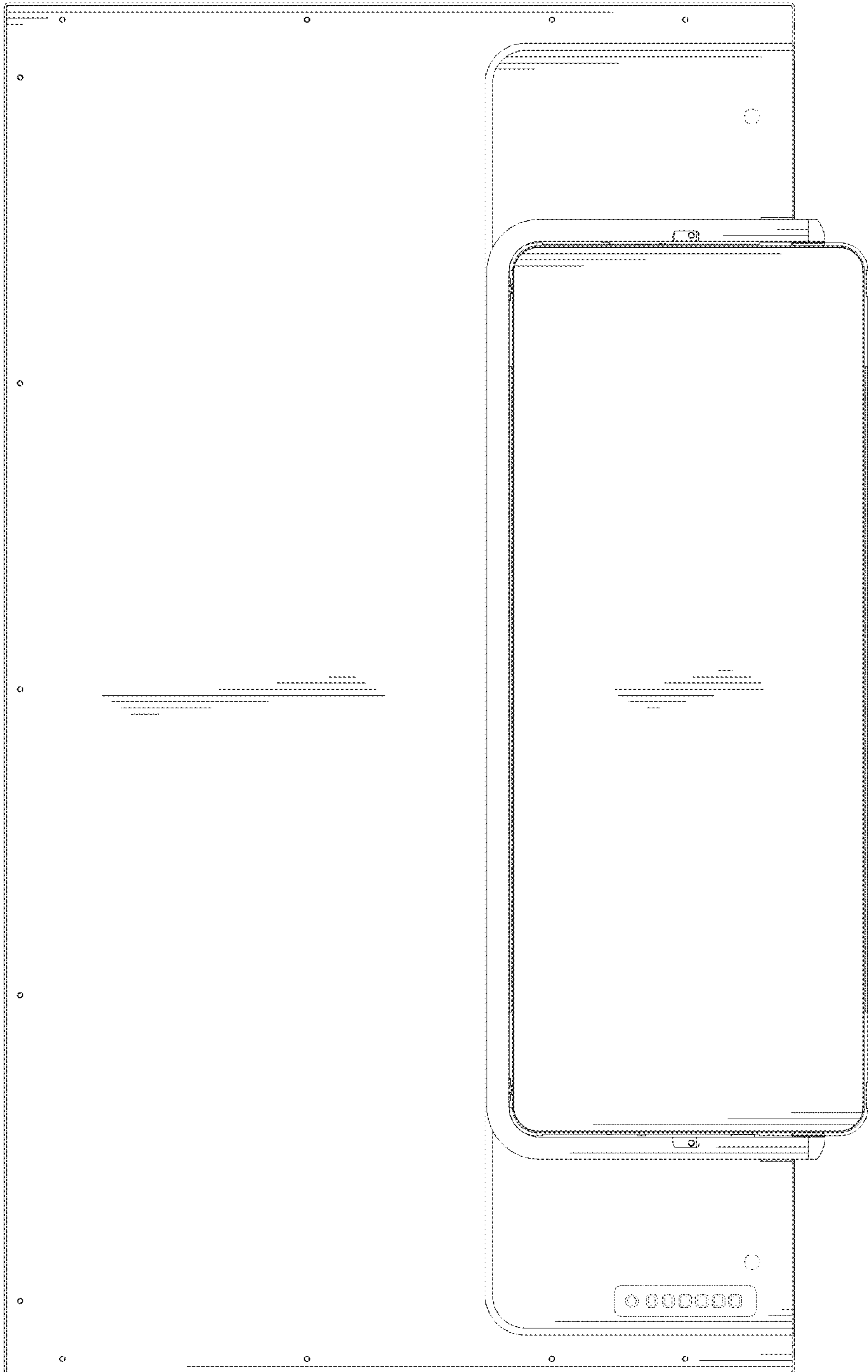


FIG. 10

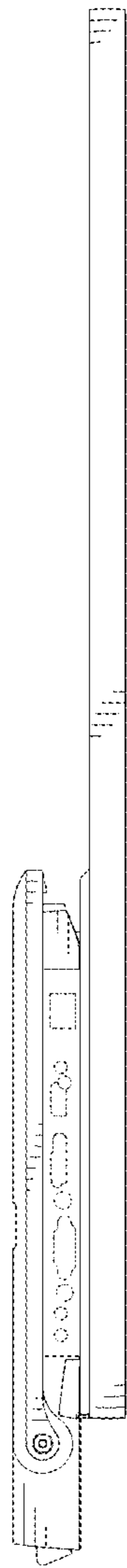


FIG. 11



FIG. 12



FIG. 13



FIG. 14