



US00D743919S

(12) **United States Design Patent**
Tsai et al.

(10) **Patent No.:** **US D743,919 S**
(45) **Date of Patent:** **** Nov. 24, 2015**

(54) **LIGHT-EMITTING DIODE**

(71) Applicant: **EPISTAR CORPORATION**, Hsinchu (TW)

(72) Inventors: **Fu-Chun Tsai**, Hsinchu (TW); **Yi-Wen Huang**, Hsinchu (TW); **Shih-I Chen**, Hsinchu (TW); **Chia-Liang Hsu**, Hsinchu (TW)

(73) Assignee: **EPISTAR CORPORATION**, Hsinchu (TW)

(**) Term: **14 Years**

(21) Appl. No.: **29/496,790**

(22) Filed: **Jul. 17, 2014**

Related U.S. Application Data

(63) Continuation of application No. 29/451,515, filed on Apr. 3, 2013, now Pat. No. Des. 709,840.

(30) **Foreign Application Priority Data**

Oct. 3, 2012 (TW) 101305813

(51) **LOC (10) Cl.** **13-03**

(52) **U.S. Cl.**
USPC **D13/180**

(58) **Field of Classification Search**
USPC D13/180; D26/1
CPC ... H01L 25/167; H01L 25/0753; H01L 27/15;
H01L 27/156; H01L 31/02; H01L 33/00;
H01L 33/04; H01L 33/08; H01L 33/10;
H01L 33/20; H01L 33/38; H01L 33/42;
H01L 33/48; H01L 33/483; H01L 33/486

See application file for complete search history.

(56) **References Cited**

U.S. PATENT DOCUMENTS

D579,019	S	10/2008	Lei et al.	
7,544,971	B2	6/2009	Chen	
D648,287	S	11/2011	Hsu et al.	
D656,908	S	4/2012	Hsu et al.	
8,198,648	B2 *	6/2012	Bougrov et al.	257/98
8,309,971	B2	11/2012	Seo et al.	
8,344,392	B2	1/2013	Yeh et al.	
8,378,373	B2 *	2/2013	Wang et al.	257/99
D681,564	S	5/2013	Hsu et al.	
D681,569	S	5/2013	Yeh et al.	
8,455,912	B2	6/2013	Tanaka et al.	
8,471,242	B2	6/2013	Kim et al.	
D689,448	S	9/2013	Kimura et al.	
8,541,806	B2	9/2013	Kim et al.	
8,704,249	B2 *	4/2014	Kamiya et al.	257/91
D709,840	S *	7/2014	Tsai et al.	D13/180

(Continued)

Primary Examiner — Selina Sikder

(74) *Attorney, Agent, or Firm* — Muncy, Geissler, Olds & Lowe, P.C.

(57) **CLAIM**

The ornamental design for a light-emitting diode, as shown and described.

DESCRIPTION

FIG. 1 is a perspective view of a light-emitting diode showing our new design;

FIG. 2 is another perspective view thereof;

FIG. 3 is a front elevational view thereof;

FIG. 4 is a rear elevational view thereof;

FIG. 5 is a left side view thereof;

FIG. 6 is a right side view thereof;

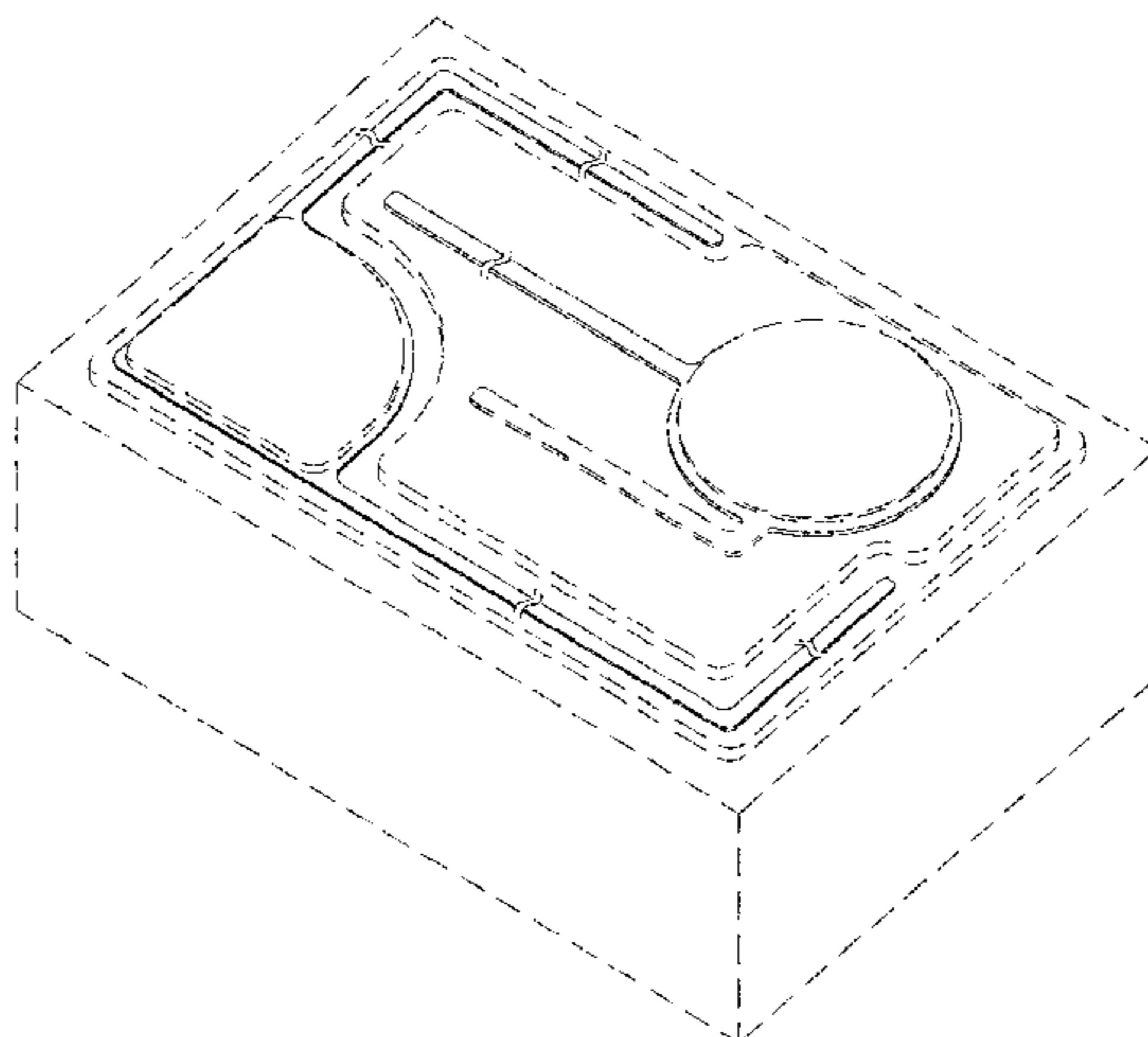
FIG. 7 is a top plan view thereof; and,

FIG. 8 is a bottom plan view thereof.

The broken line showing is for the purpose of illustrating environment structure and forms no part of the claimed design.

The thin connection electrodes are shown broken away in FIGS. 1-3 of the drawing to indicated indeterminate length, it being understood that they have a uniform shape and appearance through its length.

1 Claim, 7 Drawing Sheets



(56)

References Cited

U.S. PATENT DOCUMENTS

9,070,834 B2 * 6/2015 Kim et al.
2007/0228388 A1 * 10/2007 Ko et al. 257/79
2010/0006885 A1 * 1/2010 Gong 257/99
2011/0140160 A1 6/2011 Kim et al.

2012/0037950 A1 2/2012 Chiang
2012/0043575 A1 2/2012 Kim et al.
2013/0234192 A1 9/2013 Kim et al.
2013/0306976 A1 11/2013 Haruta
2014/0034974 A1 2/2014 Li
2014/0034981 A1 2/2014 Hung et al.

* cited by examiner

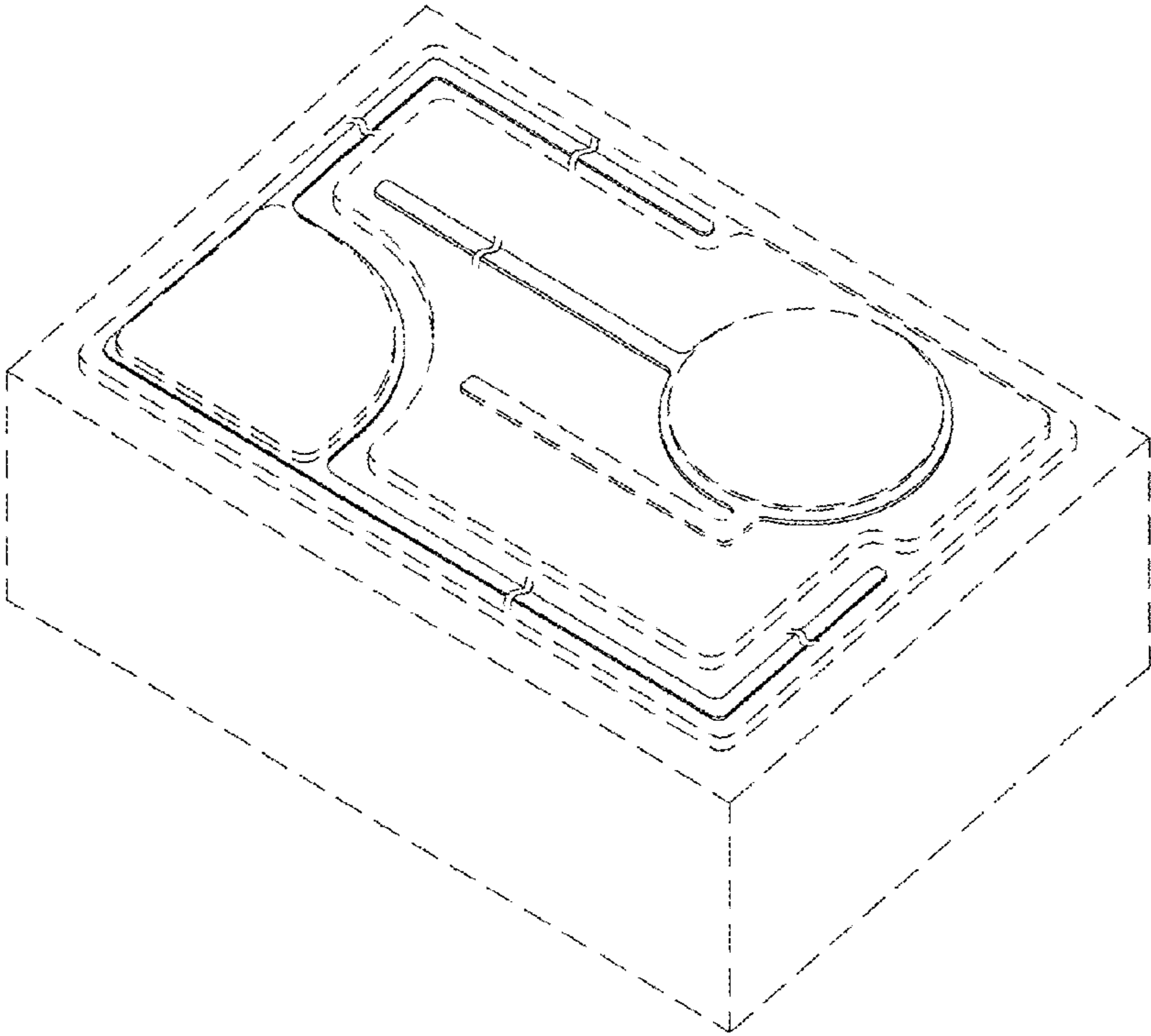


FIG.1

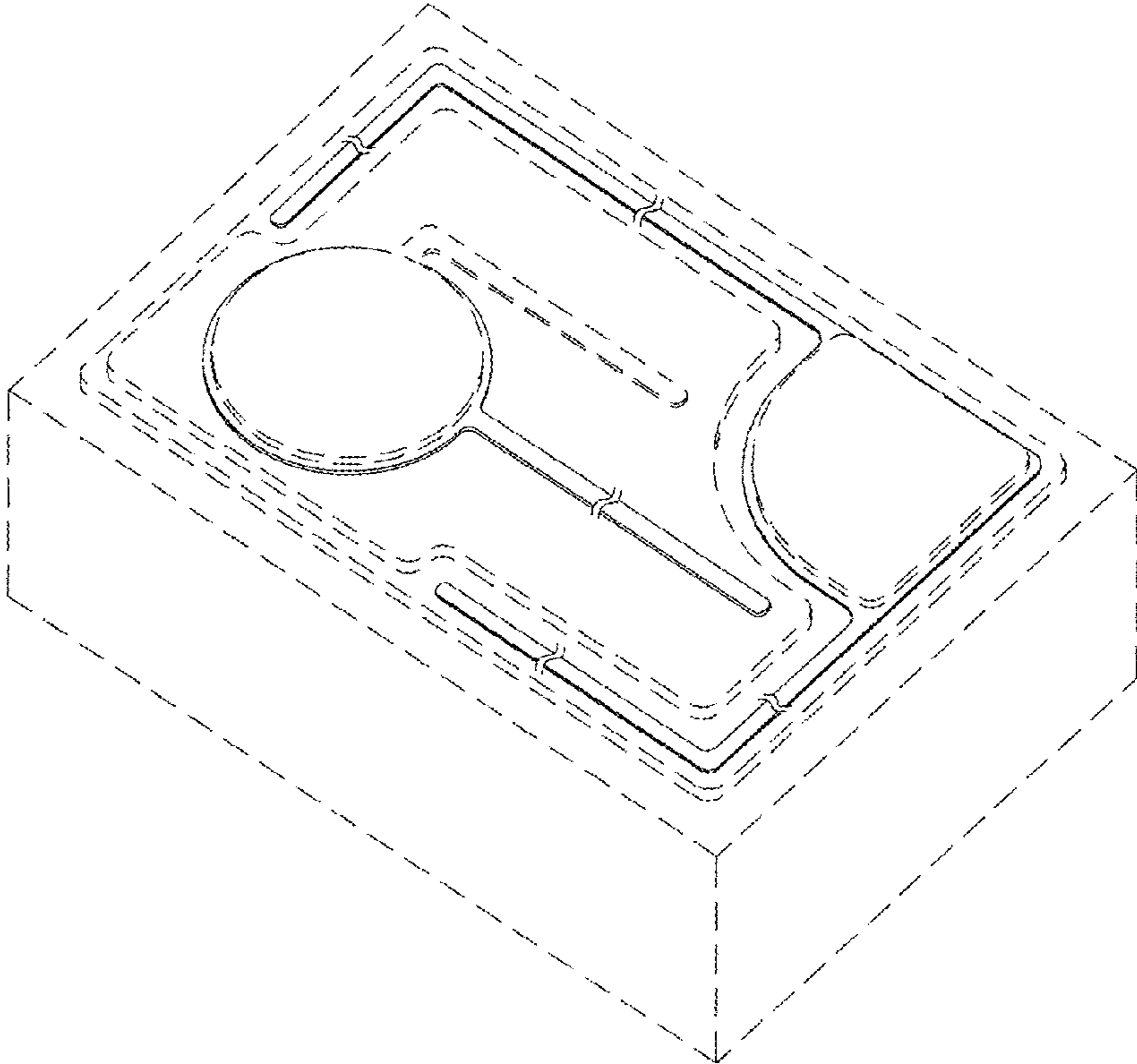


FIG.2

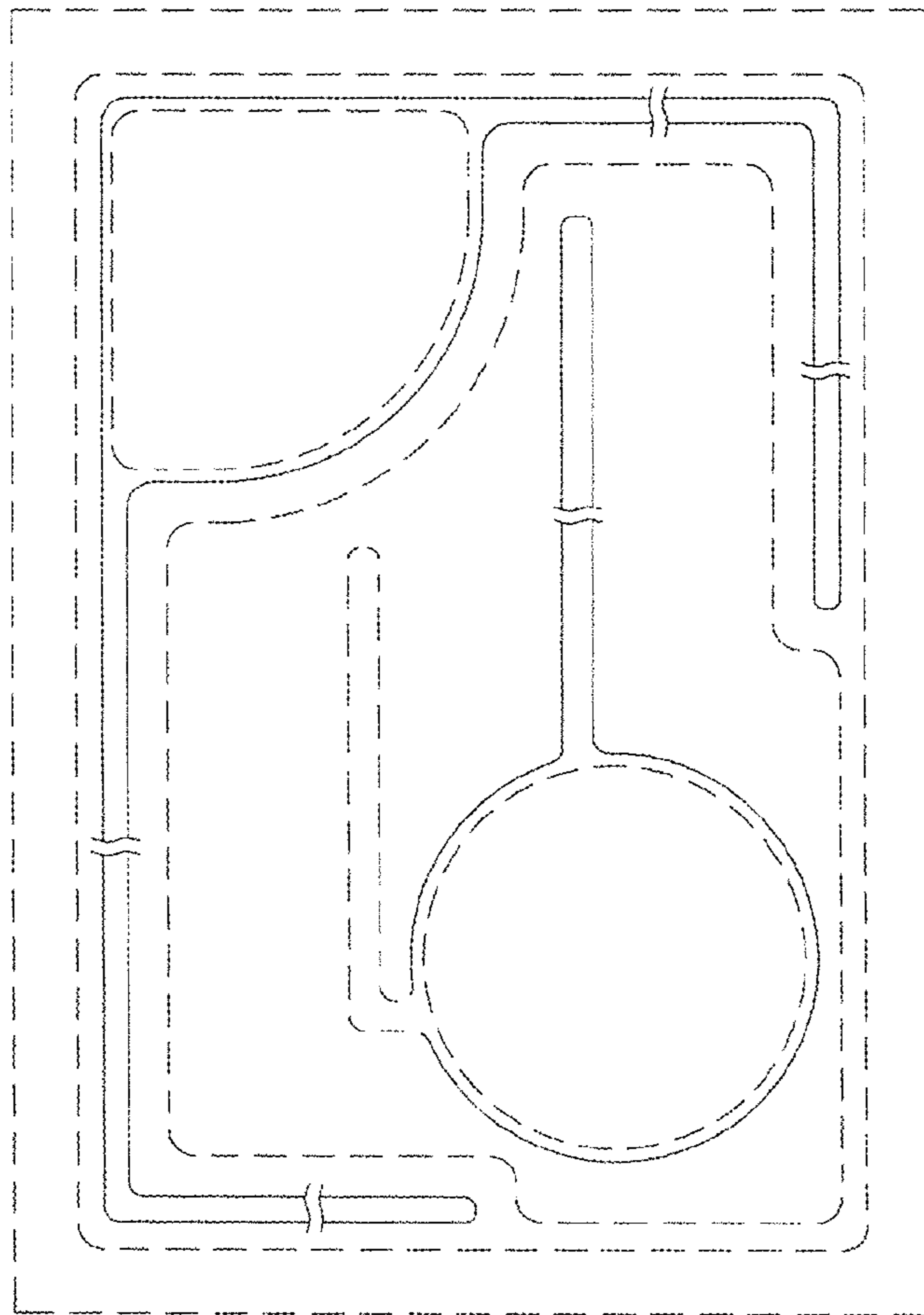


FIG.3

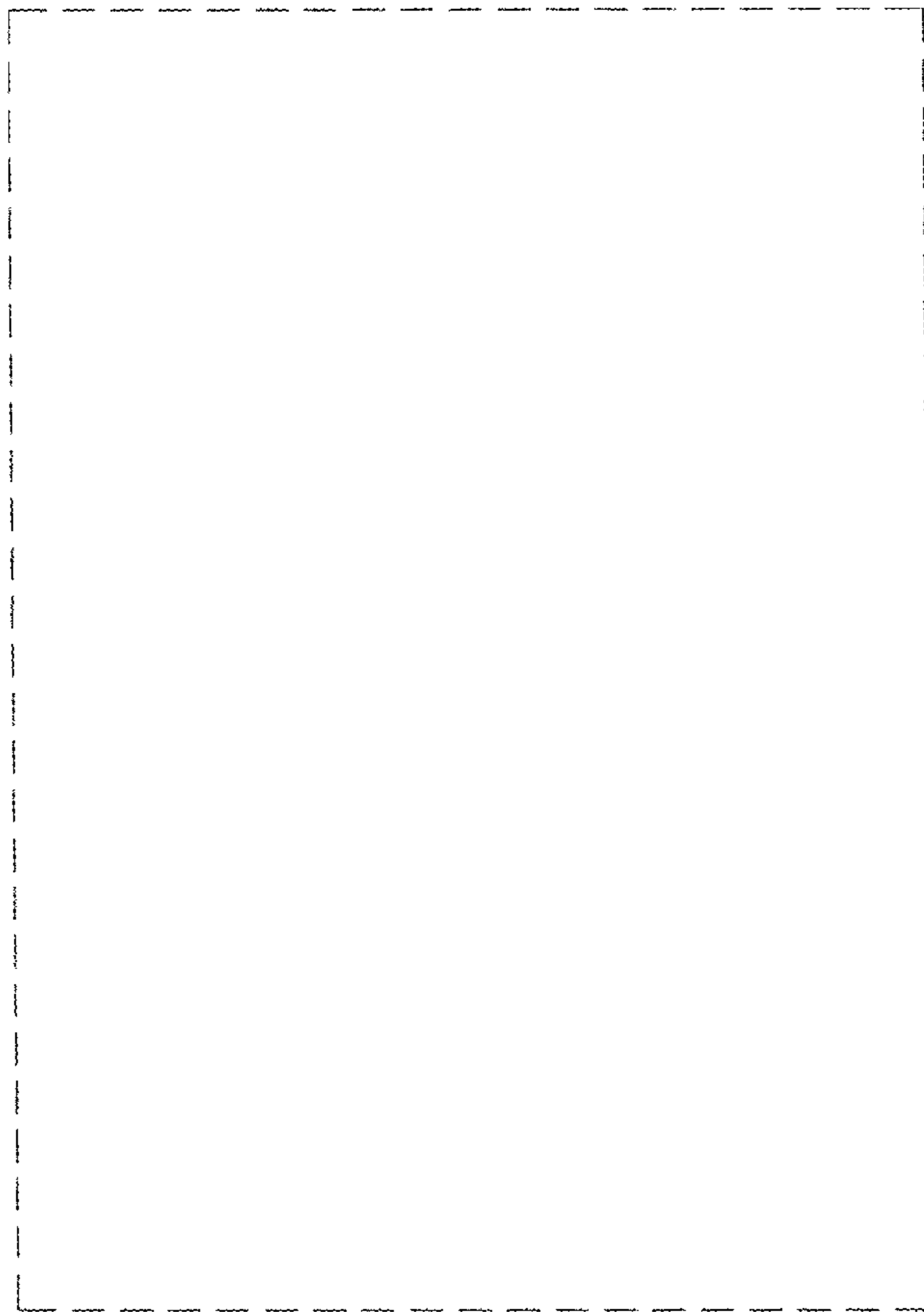


FIG.4

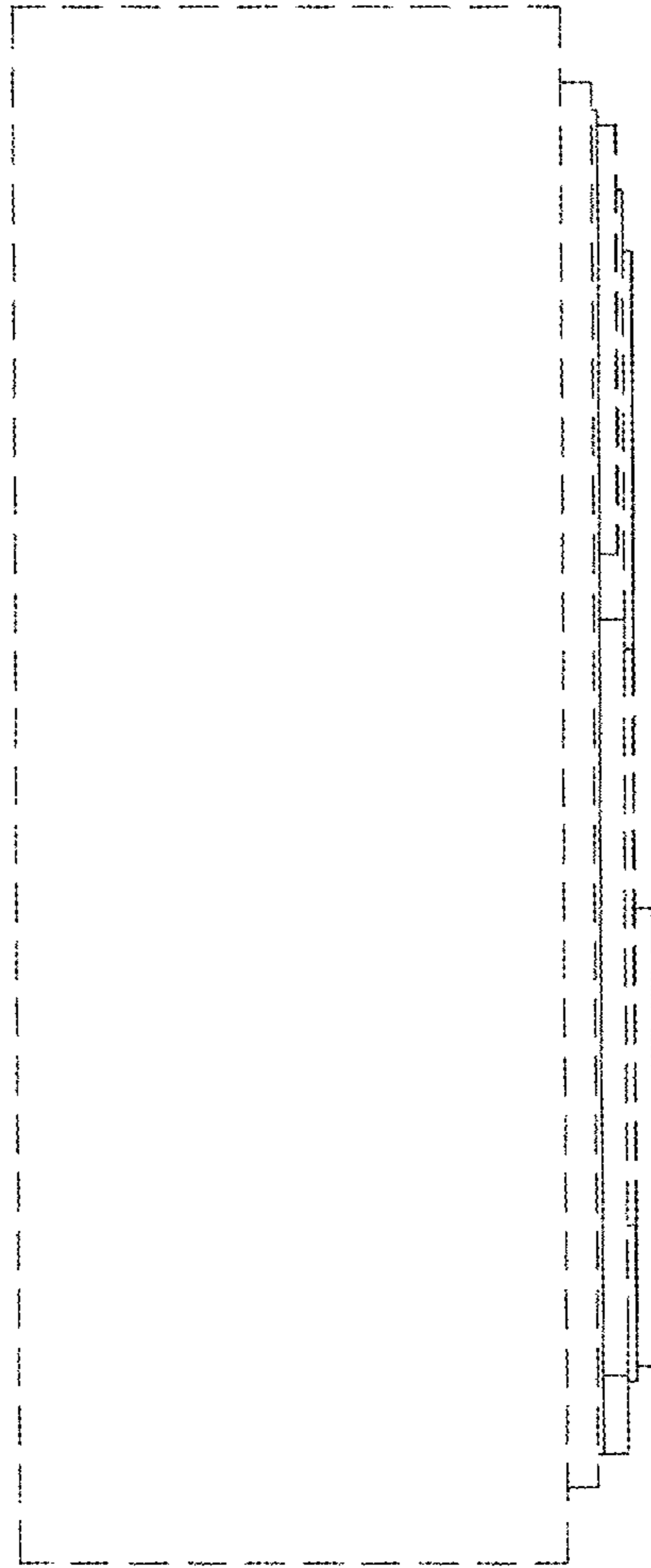


FIG.5

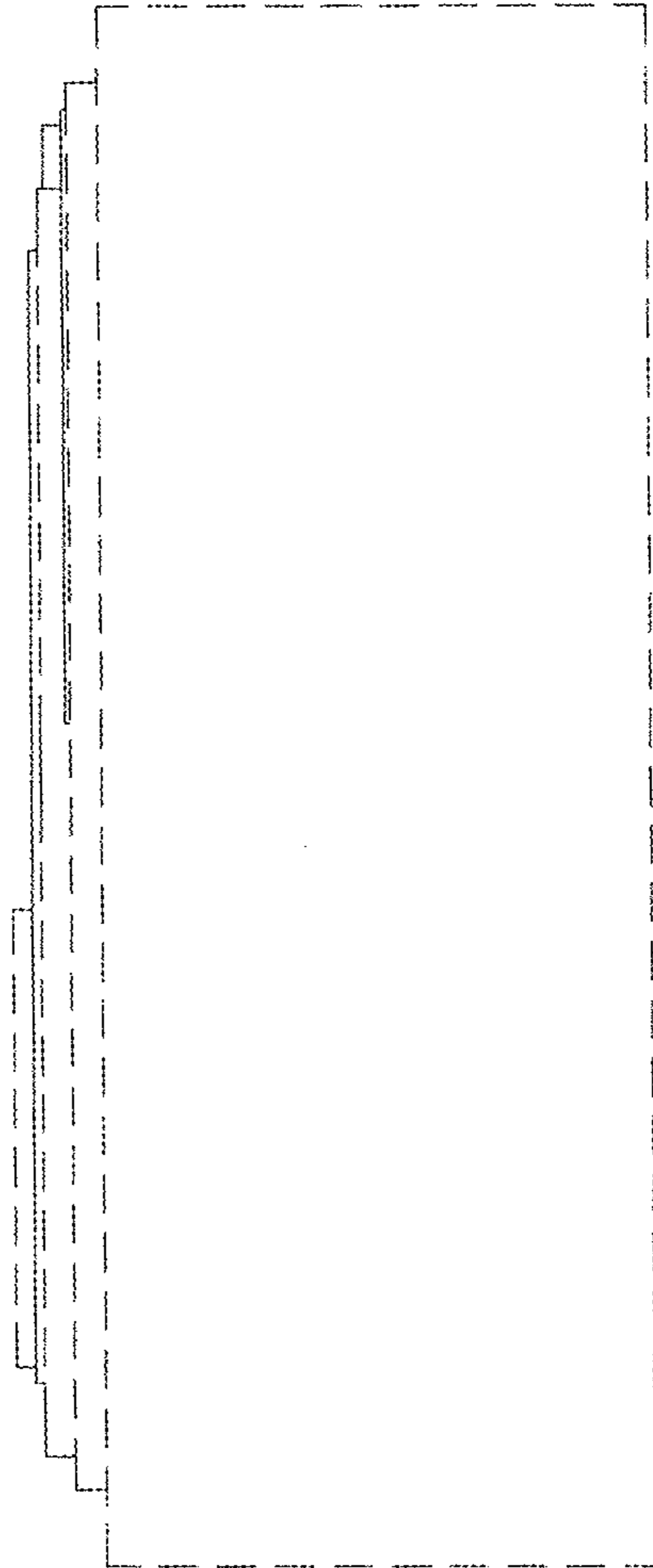


FIG.6

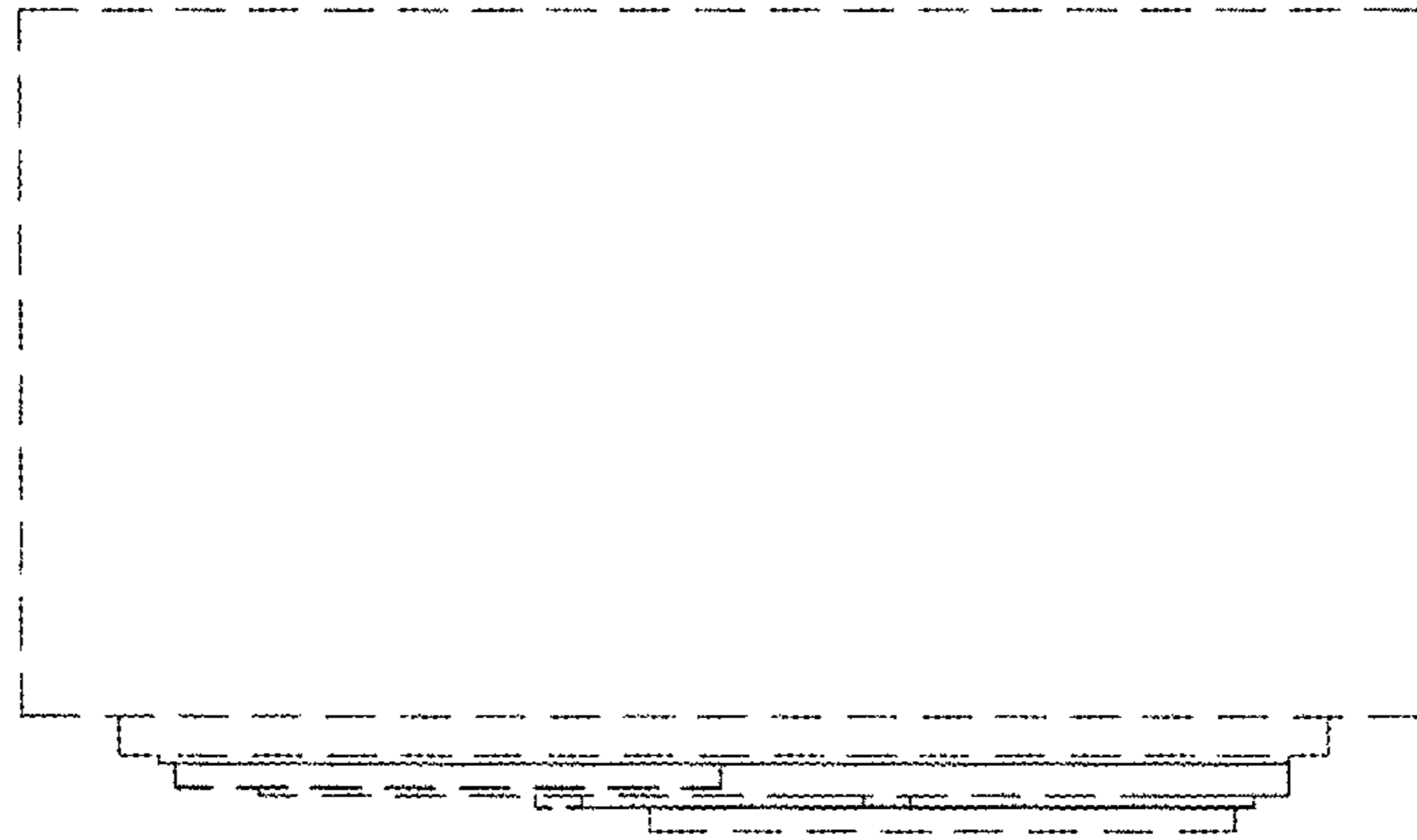


FIG. 7

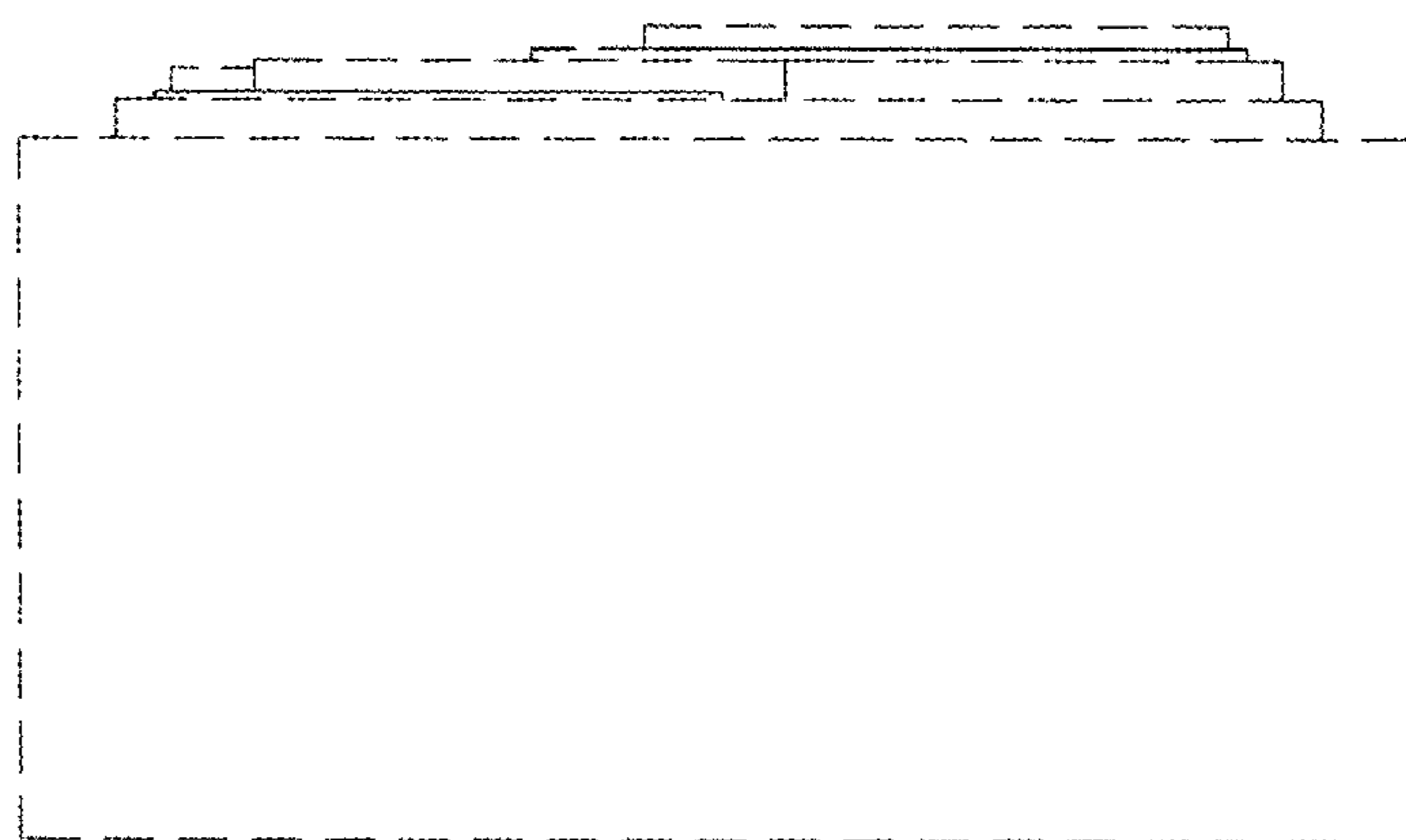


FIG. 8