



US00D743918S

(12) **United States Design Patent**
Igarashi et al.

(10) **Patent No.:** **US D743,918 S**

(45) **Date of Patent:** **** Nov. 24, 2015**

(54) **LIGHT EMITTING DIODE**

(71) Applicant: **NICHIA CORPORATION**, Anan-shi,
Tokushima (JP)

(72) Inventors: **Takayuki Igarashi**, Yokohama (JP); **Ryo Oishi**, Hamamatsu (JP)

(73) Assignee: **Nichia Corporation** (JP)

(**) Term: **14 Years**

(21) Appl. No.: **29/496,362**

(22) Filed: **Jul. 11, 2014**

Related U.S. Application Data

(60) Continuation of application No. 29/418,160, filed on Apr. 12, 2012, now Pat. No. Des. 715,233, which is a division of application No. 29/360,431, filed on Apr. 26, 2010, now Pat. No. Des. 661,262.

(30) **Foreign Application Priority Data**

Oct. 26, 2009	(JP)	2009-024957
Oct. 26, 2009	(JP)	2009-024958
Oct. 26, 2009	(JP)	2009-024959
Oct. 26, 2009	(JP)	2009-024960
Oct. 26, 2009	(JP)	2009-024961

(51) **LOC (10) Cl.** **13-03**

(52) **U.S. Cl.**
USPC **D13/180**

(58) **Field of Classification Search**
USPC D13/180; D26/1
CPC ... H01L 25/167; H01L 25/0753; H01L 27/15;
H01L 27/156; H01L 31/02; H01L 33/00;
H01L 33/04; H01L 33/08; H01L 33/10;
H01L 33/20; H01L 33/38; H01L 33/42;
H01L 33/48; H01L 33/483; H01L 33/486
See application file for complete search history.

(56) **References Cited**

U.S. PATENT DOCUMENTS

D439,351 S 3/2001 Kiba et al.
6,483,623 B1 11/2002 Maruyama

(Continued)

FOREIGN PATENT DOCUMENTS

JP	2000-183405	6/2000
JP	2006-130714	5/2006

OTHER PUBLICATIONS

Office Action dated Sep. 4, 2013 in U.S. Appl. No. 29/418,160.

(Continued)

Primary Examiner — Selina Sikder

(74) *Attorney, Agent, or Firm* — Saidman DesignLaw Group, LLC

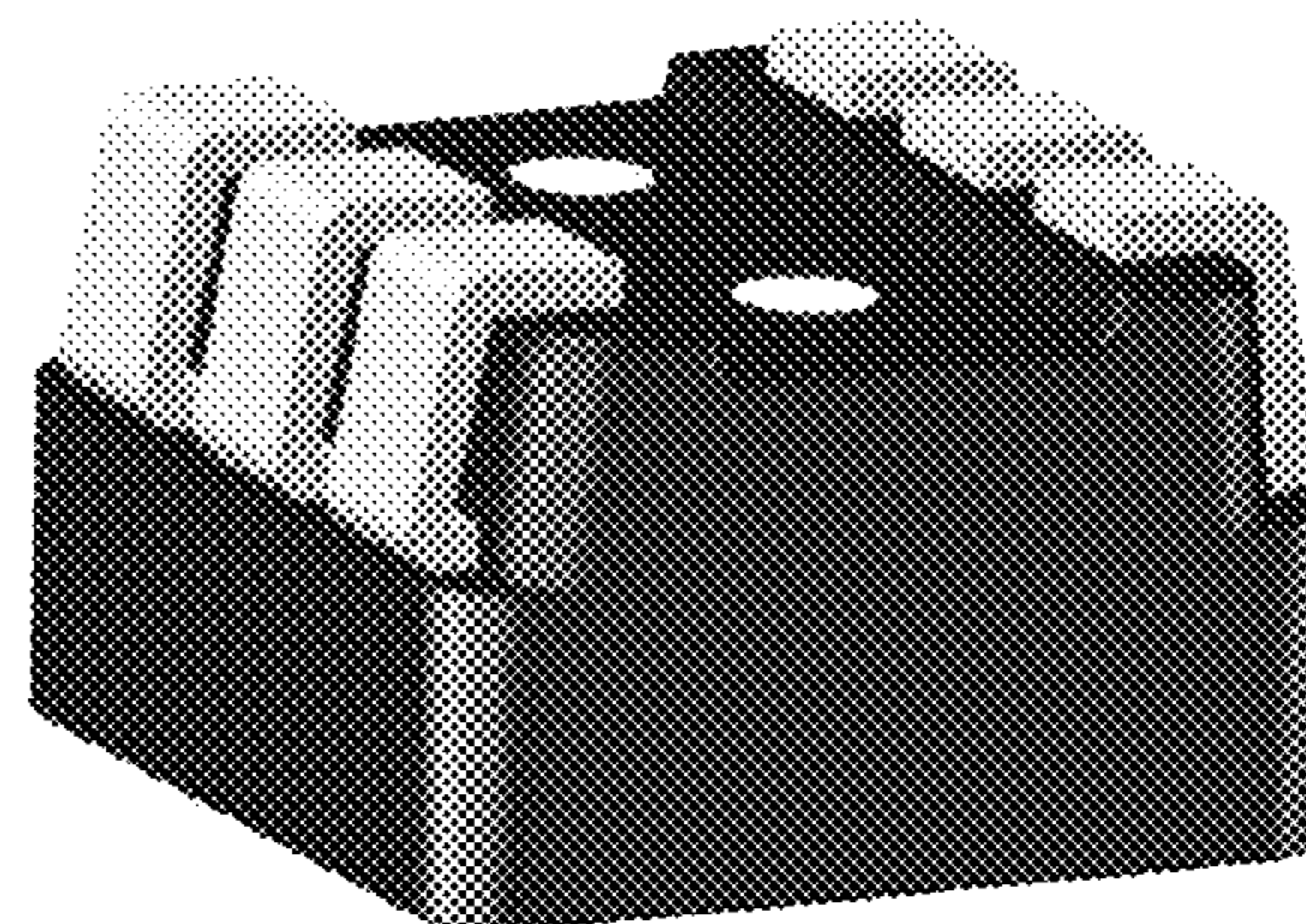
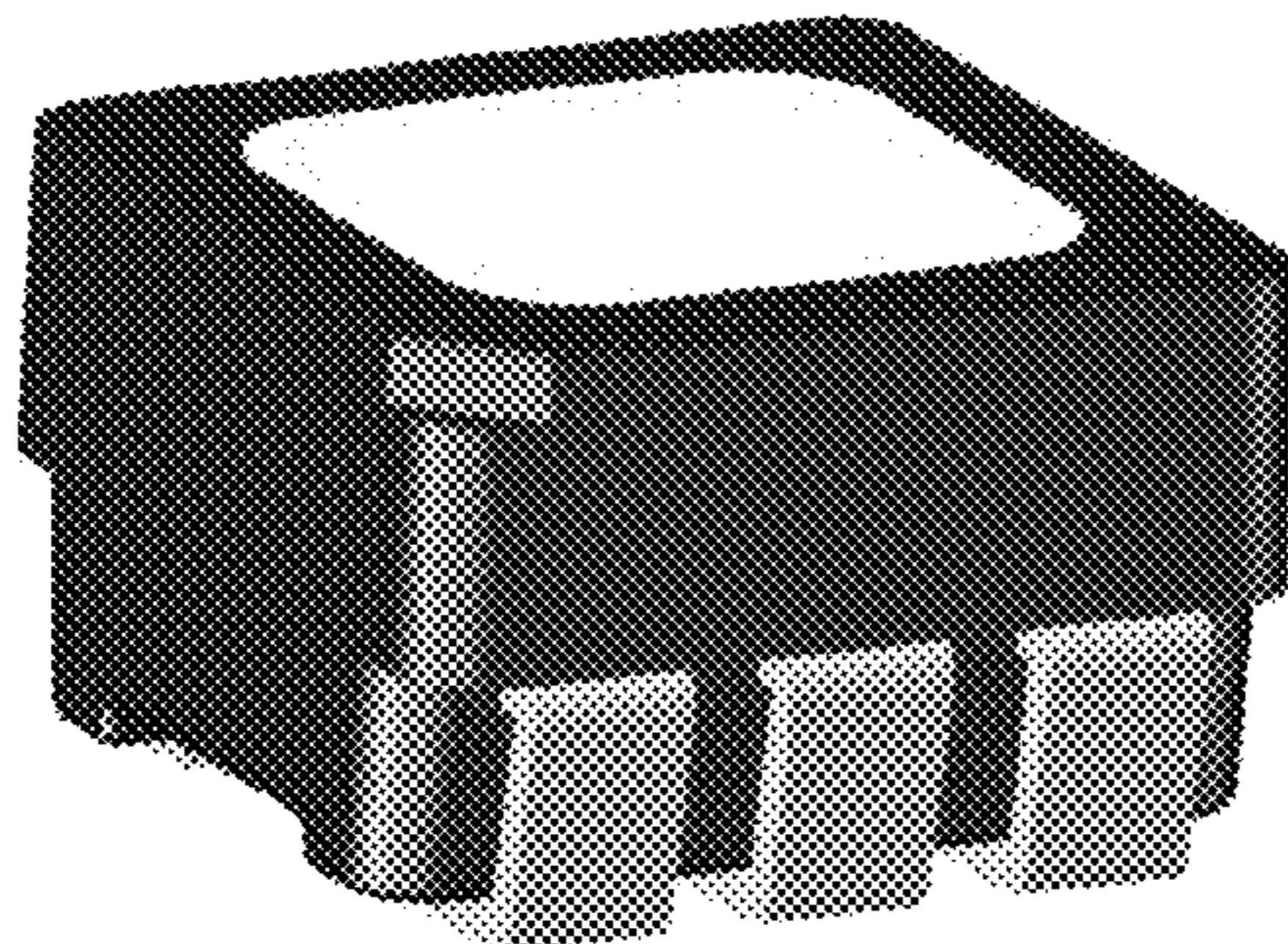
(57) **CLAIM**

The ornamental design for a light emitting diode, as shown and described.

DESCRIPTION

FIG. 1 is a rear top right side perspective view of a light emitting diode showing our new design; FIG. 2 is a front, bottom, left side perspective view thereof; FIG. 3 is a front elevational view thereof; FIG. 4 is a rear elevational view thereof; FIG. 5 is a top plan view thereof; FIG. 6 is a bottom plan view thereof; FIG. 7 is a right side elevational view thereof; and, FIG. 8 is a left side elevational view thereof. The portions shown in black indicate the color black. The portions shown in white, i.e., the thin square portion surrounding the center top window in FIGS. 1 and 5 and the two small circles in FIGS. 2 and 6 indicate the color white. The center top window inside the thin white portion in FIGS. 1 and 5 is shaded to indicate that it is translucent. The electrodes are shaded to indicate contour. The thin white portion is substantially planar and flush with the surrounding black body portions. The center top window is substantially planar and flush with the surrounding thin white portion and black body portions. The two small white circles of FIGS. 2 and 6 are substantially planar and flush with the surrounding black body portions.

1 Claim, 1 Drawing Sheet



(56)

References Cited

U.S. PATENT DOCUMENTS

D471,166 S 3/2003 Oshio et al.
 6,707,069 B2 3/2004 Song et al.
 D491,899 S 6/2004 Yagi
 D494,550 S 8/2004 Hoshiba
 D495,304 S 8/2004 Kim et al.
 D505,396 S 5/2005 Hoshiba
 D511,329 S 11/2005 Suenaga
 D522,468 S 6/2006 Song
 D535,263 S 1/2007 Sumitani
 D578,083 S 10/2008 Shimonishi et al.
 D584,246 S 1/2009 Low et al.
 D586,302 S 2/2009 Kim et al.
 D608,309 S 1/2010 Kim
 D608,740 S 1/2010 Lu et al.
 D611,012 S 3/2010 Hsieh
 D621,800 S 8/2010 Hsieh
 D621,801 S 8/2010 Hsieh
 D622,682 S 8/2010 Park et al.
 7,815,343 B2 10/2010 Nii et al.
 D627,312 S 11/2010 Lai et al.
 8,100,555 B2 * 1/2012 Higashii et al. 362/248
 D661,262 S 6/2012 Igarashi et al.
 D710,809 S * 8/2014 Low et al. D13/180
 D715,233 S 10/2014 Takao et al.

8,987,775 B2 * 3/2015 Kim 257/99
 2007/0075325 A1 4/2007 Baek et al.
 2008/0037252 A1 2/2008 Nii et al.
 2009/0026480 A1 * 1/2009 Hayashi et al. 257/98
 2010/0163918 A1 * 7/2010 Kim et al. 257/99
 2011/0255281 A1 10/2011 Takei et al.
 2012/0032197 A1 * 2/2012 Kurimoto 257/88
 2012/0056218 A1 * 3/2012 Abdul Karim et al. 257/91
 2012/0104427 A1 * 5/2012 Chan et al. 257/89
 2012/0307481 A1 * 12/2012 Joo et al. 362/97.1
 2013/0134454 A1 * 5/2013 Chan et al. 257/88

OTHER PUBLICATIONS

Examiner's Amendment accompanying Notice of Allowance dated Mar. 12, 2014 in U.S. Appl. No. 29/418,160.
 Examiner's Amendment accompanying Notice of Allowance dated Feb. 2, 2012 in U.S. Appl. No. 29/360,431.
 Office Communication dated Dec. 9, 2011 in U.S. Appl. No. 29/360,431.
 Office Action dated Oct. 3, 2011 in U.S. Appl. No. 29/360,431.
 Office Action dated May 11, 2015 in U.S. Appl. No. 14/323,699.
 2009 Nichia LED Catalogue, Mar. 2009, pp. 56, 57, 98, 99 (<http://www.nichia.co.jp>).
 U.S. Appl. No. 14/323,699 (not published).

* cited by examiner

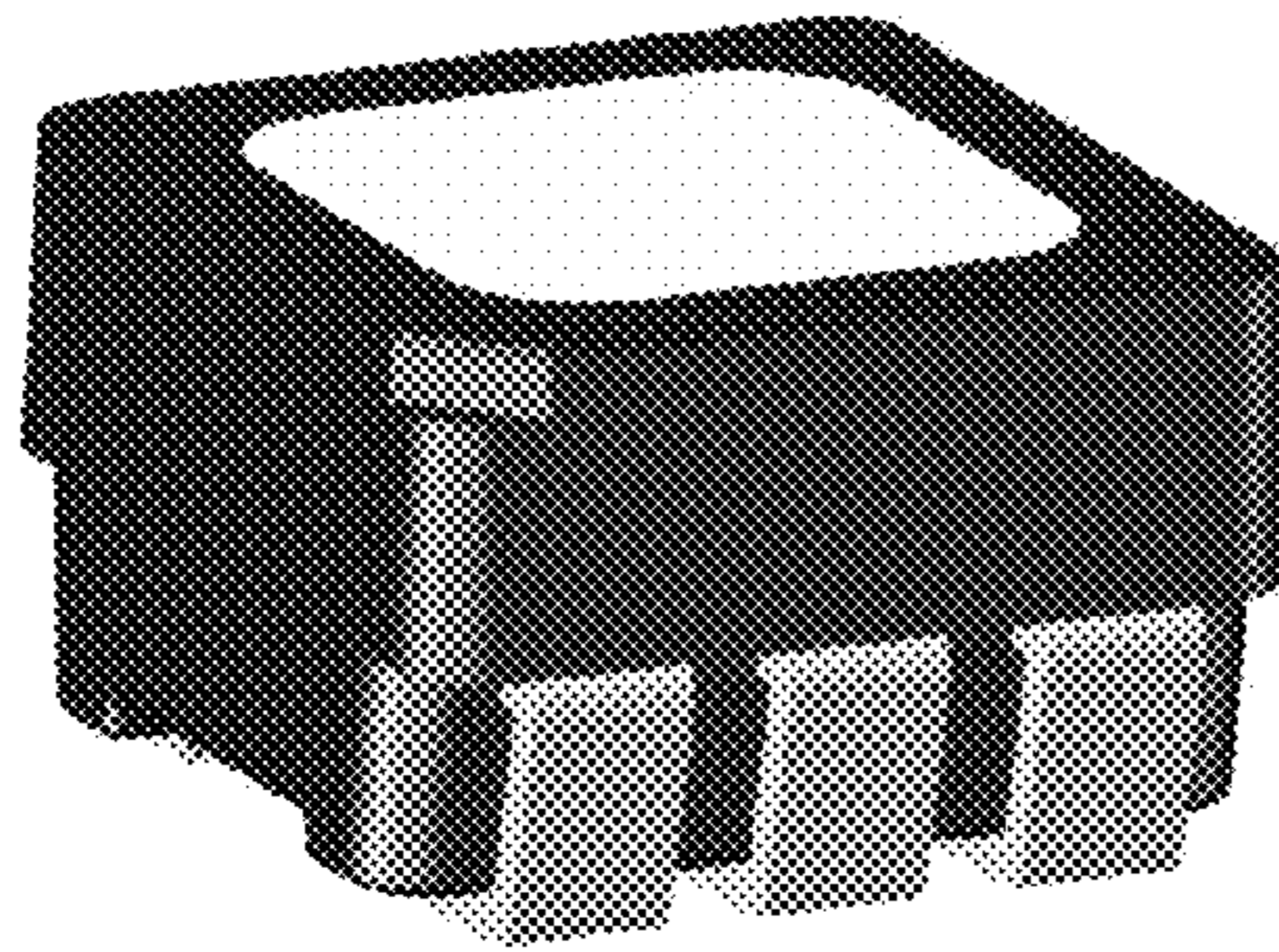


FIG. 1

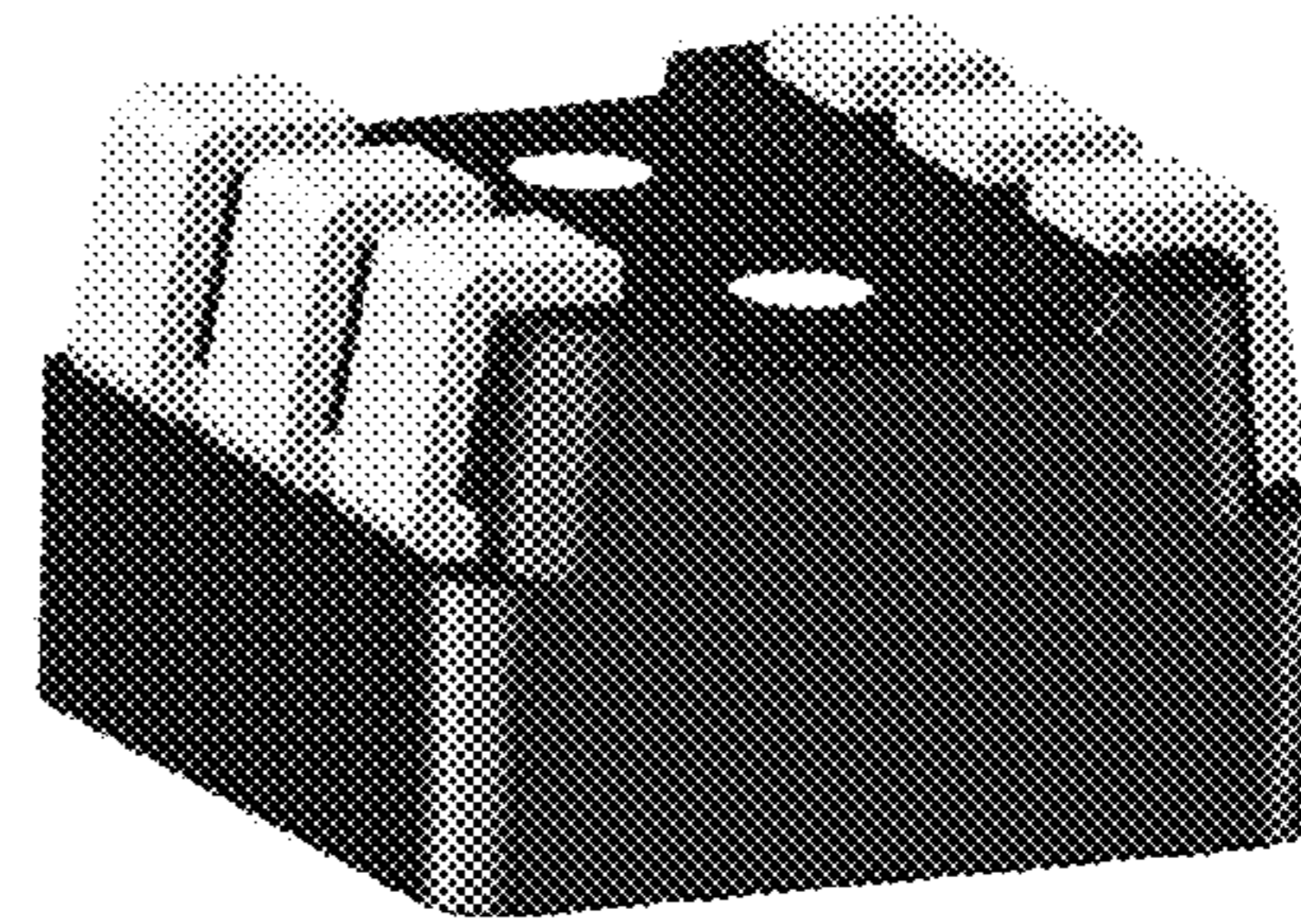


FIG. 2

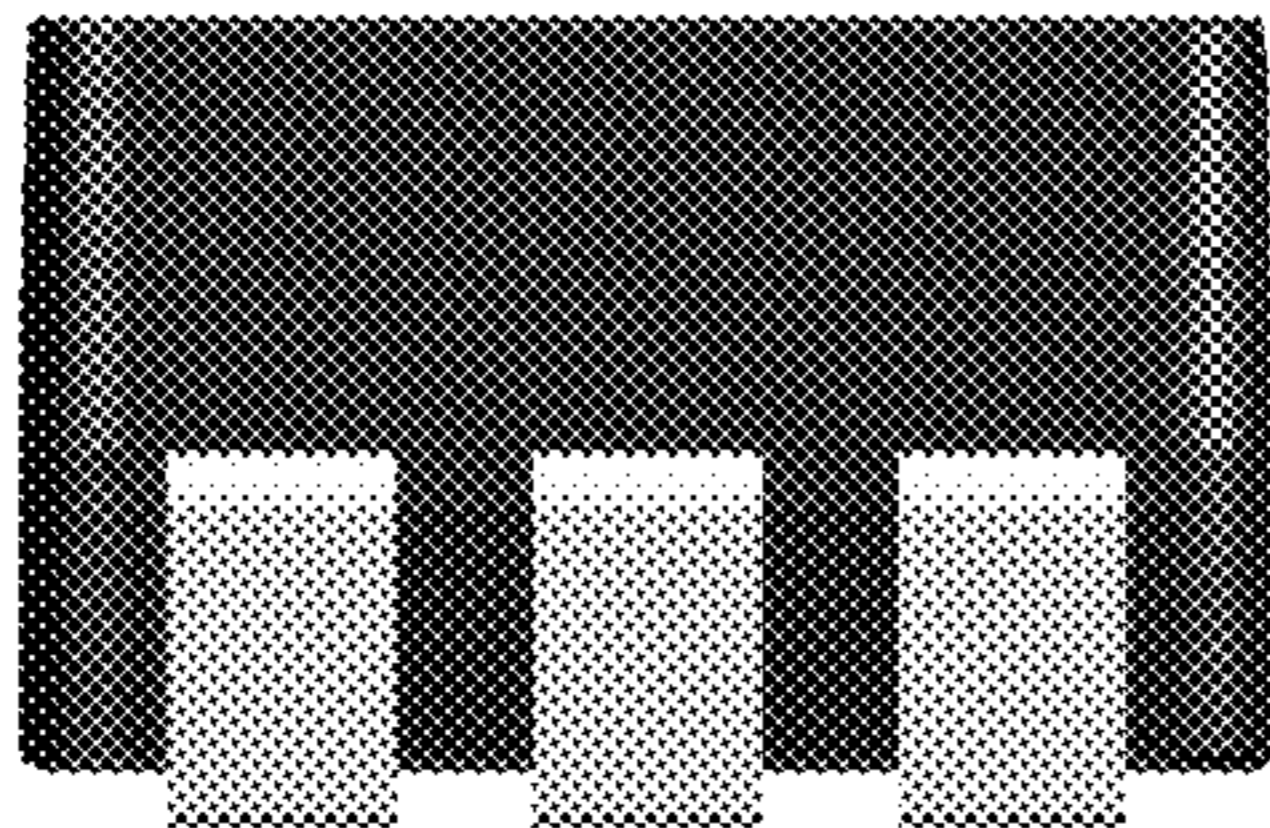


FIG. 3

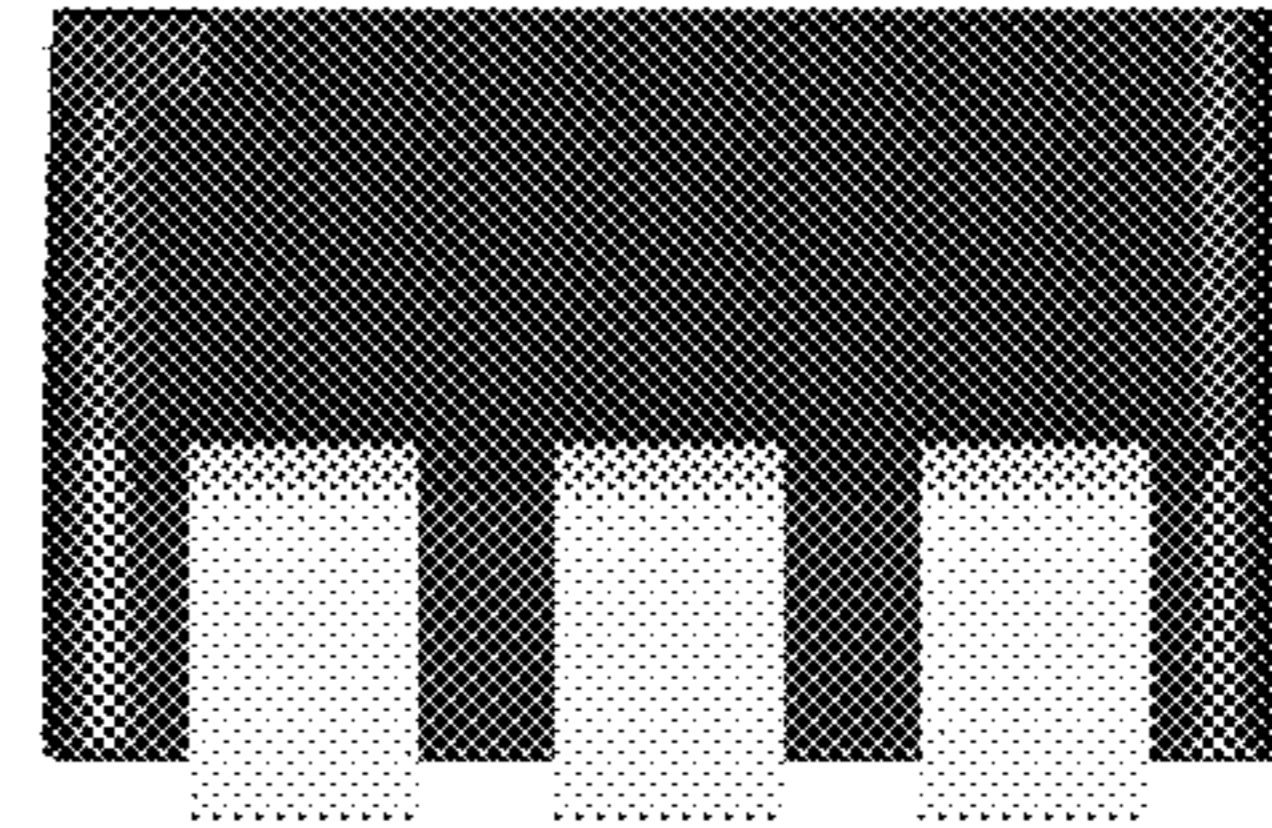


FIG. 4

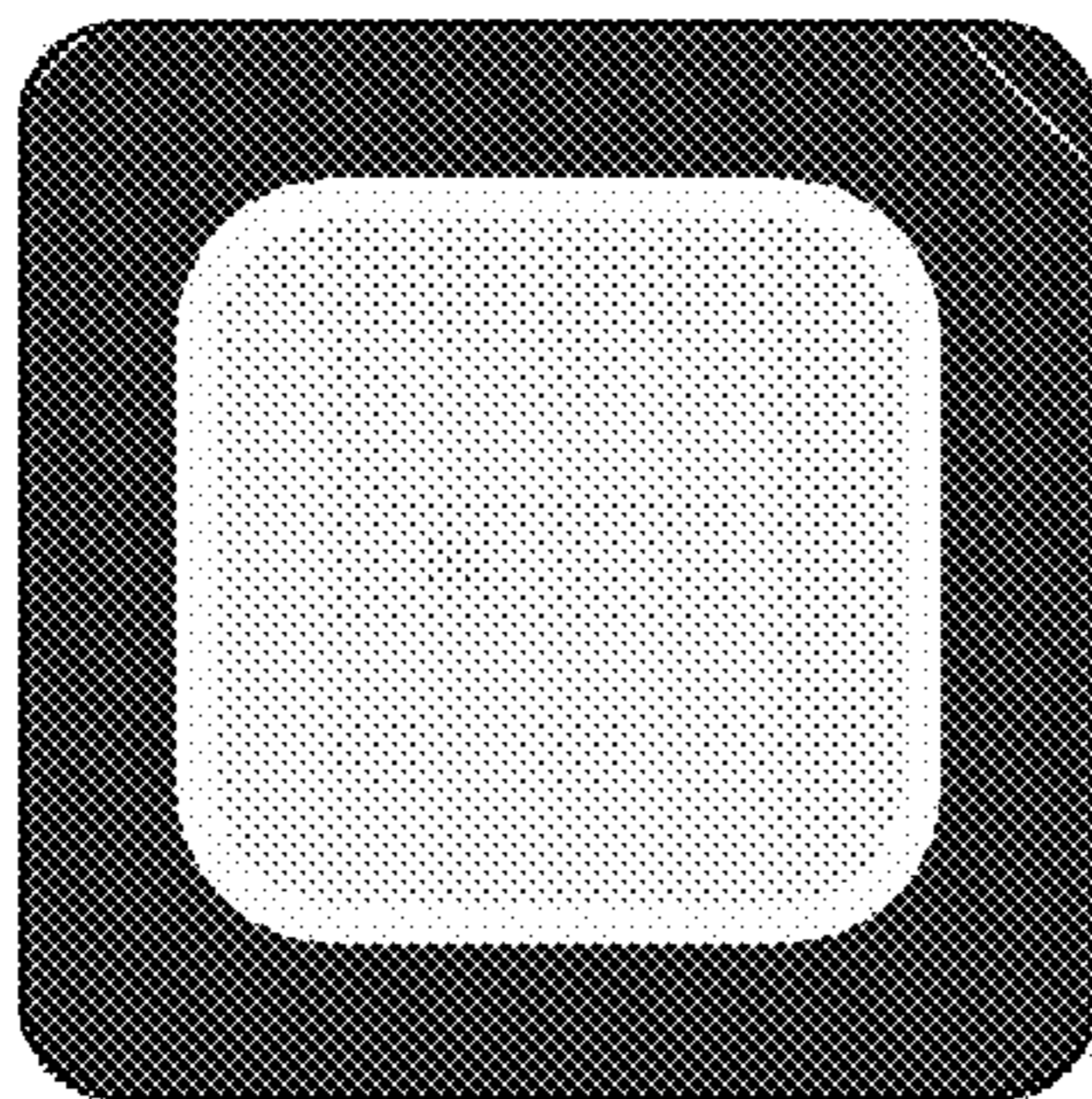


FIG. 5

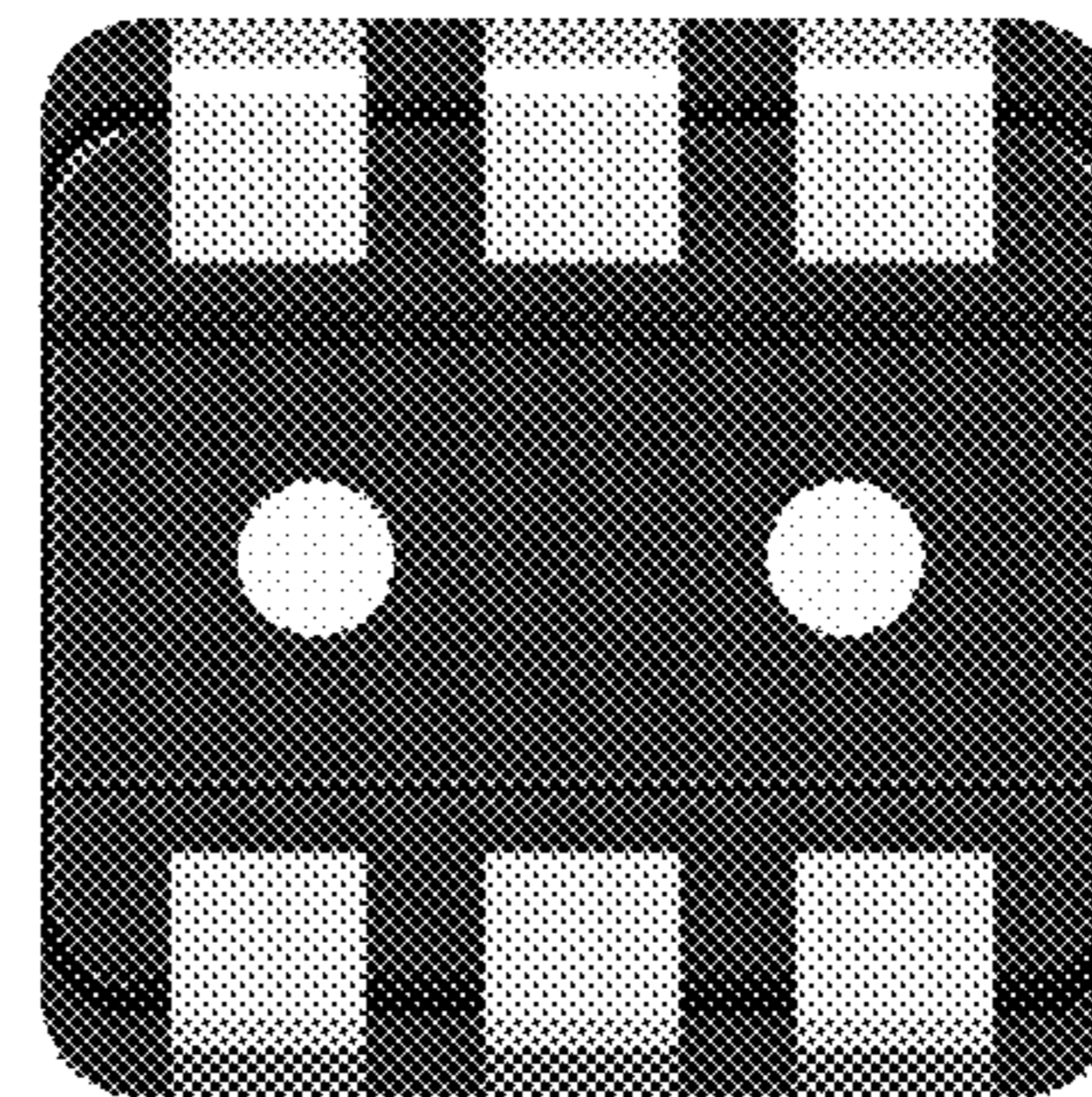


FIG. 6

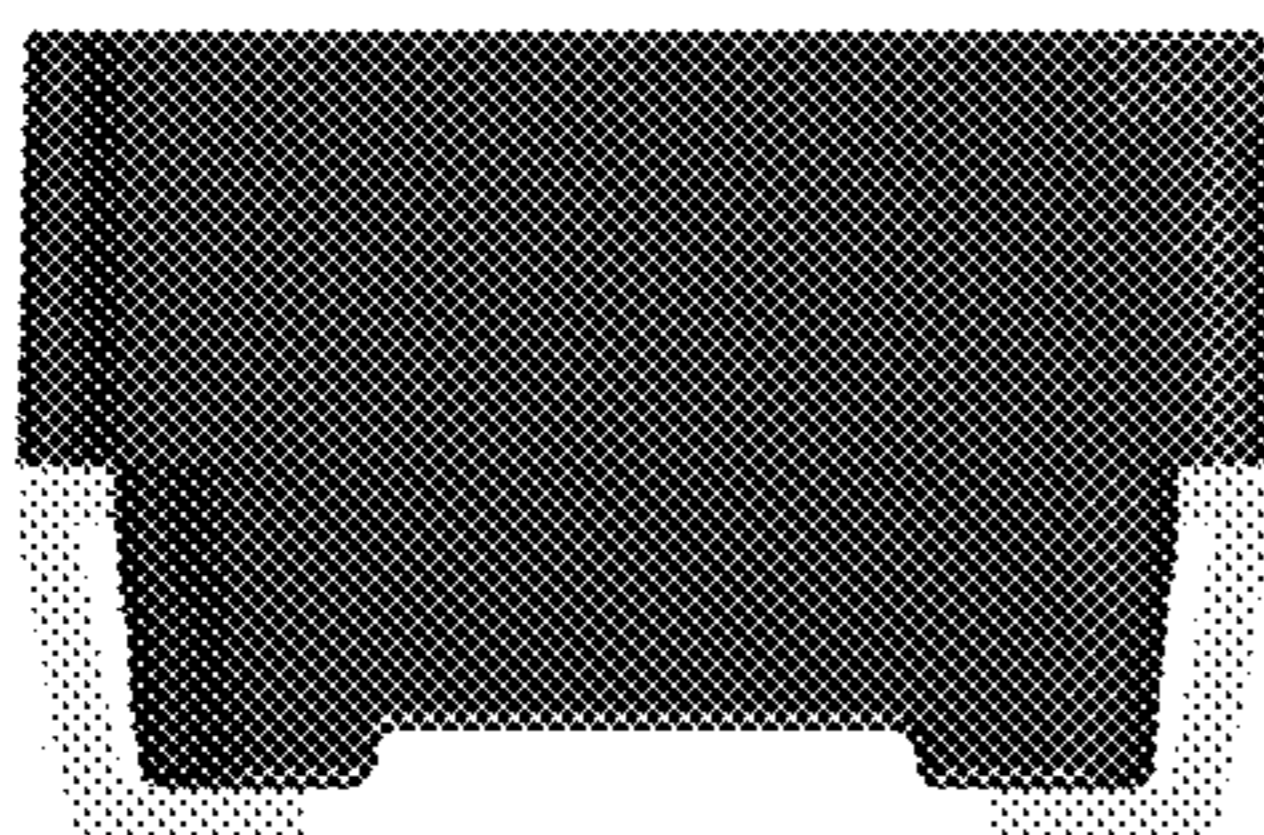


FIG. 7

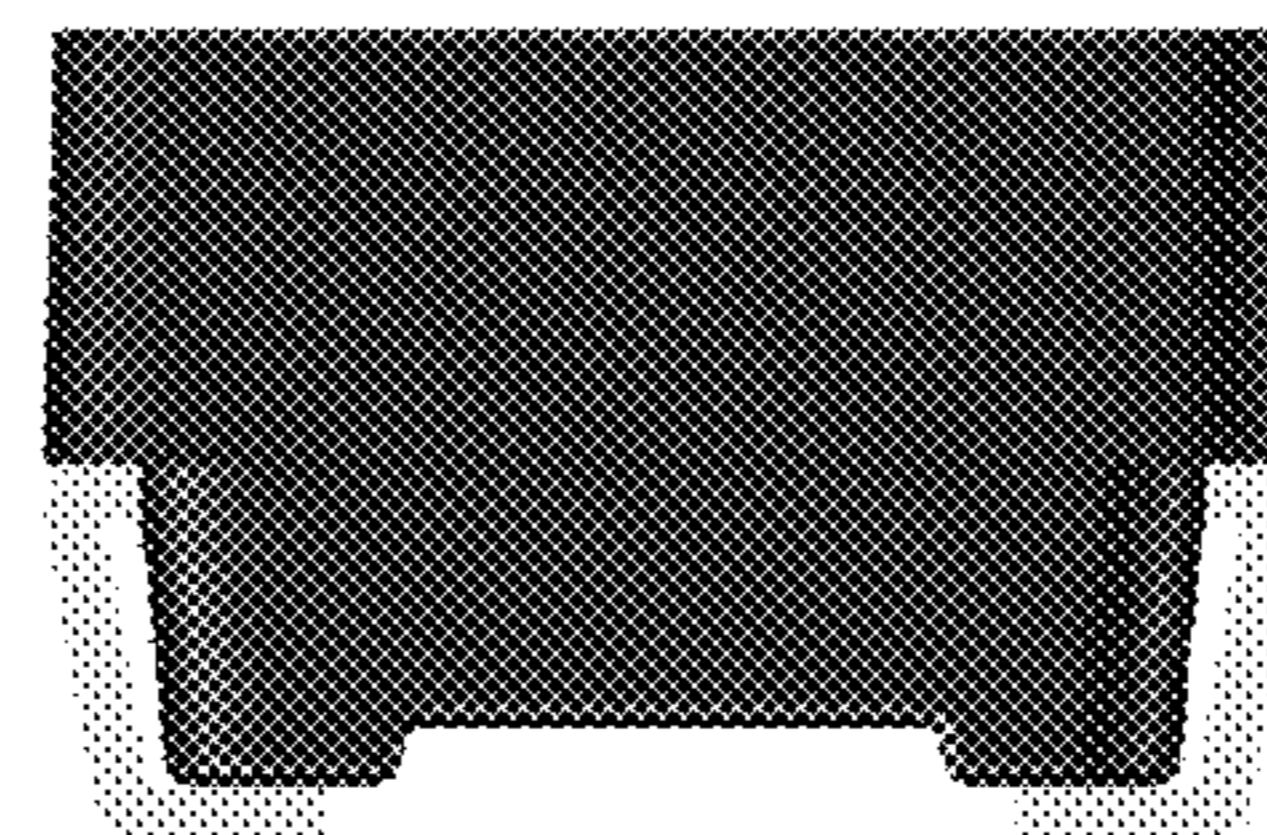


FIG. 8