



US00D743917S

(12) **United States Design Patent**
Muramoto

(10) **Patent No.:** **US D743,917 S**
(45) **Date of Patent:** **** Nov. 24, 2015**

(54) **PUSH SWITCH**

(71) Applicant: **OMRON Corporation**, Kyoto-shi,
Kyoto (JP)

(72) Inventor: **Kei Muramoto**, Okayama (JP)

(73) Assignee: **OMRON CORPORATION**, Kyoto (JP)

(**) Term: **14 Years**

(21) Appl. No.: **29/489,009**

(22) Filed: **Apr. 25, 2014**

(30) **Foreign Application Priority Data**

Nov. 21, 2013 (JP) 2013-027285
Nov. 21, 2013 (JP) 2013-027286
Nov. 21, 2013 (JP) 2013-027287

(51) **LOC (10) Cl.** **13-03**

(52) **U.S. Cl.**
USPC **D13/171**

(58) **Field of Classification Search**
USPC D13/158, 171, 173
CPC H01H 3/00; H01H 3/02; H01H 3/12;
H01H 13/00; H01H 13/02; H01H 13/04;
H01H 13/063; H01H 13/12; H01H 13/14;
H01H 13/20; H01H 13/50; H01H 1/44;
H01H 1/58; H01H 21/18; H01H 15/06;
H01H 9/02; H01R 12/57; H02B 1/04; H02B
1/044; H02B 1/048

See application file for complete search history.

(56) **References Cited**

U.S. PATENT DOCUMENTS

3,068,444 A * 12/1962 Kelchner 439/741
3,614,364 A * 10/1971 Bedocs 200/345
3,674,966 A * 7/1972 Long 200/557
4,119,823 A * 10/1978 Matsueda et al. 200/302.3
4,230,922 A * 10/1980 Habecker 200/302.2

D268,928 S * 5/1983 Ohashi D13/171
4,388,503 A * 6/1983 Penland et al. 200/5 R
D269,954 S * 8/1983 Ohashi D10/111
4,433,222 A * 2/1984 Kodaira 200/536
4,514,601 A * 4/1985 Buchanan 200/5 E
D280,814 S * 10/1985 Ohashi D13/171
D287,359 S * 12/1986 Ohashi D13/171
D294,346 S * 2/1988 Holmes D13/171
4,935,591 A * 6/1990 Kaneko 200/293
D340,224 S * 10/1993 Gierut D13/171
D340,227 S * 10/1993 Gierut D13/171
D352,700 S * 11/1994 Agnatovech D13/171
5,389,758 A * 2/1995 Agnatovech 200/530
5,512,723 A * 4/1996 Joshi 200/530
5,613,598 A * 3/1997 Pittman et al. 200/295
5,667,062 A * 9/1997 Yasufuku et al. 200/536
5,796,058 A * 8/1998 Aimi et al. 200/16 D
5,973,284 A * 10/1999 Takenaka et al. 200/532
6,054,663 A * 4/2000 Cranick et al. 200/338
6,113,440 A * 9/2000 Fijten et al. 439/862
6,207,910 B1 * 3/2001 Harvey et al. 200/51.12
6,222,144 B1 * 4/2001 Nishikawa 200/537
D472,883 S * 4/2003 Harvey D13/173
6,861,604 B2 * 3/2005 McSwiggen 200/520

(Continued)

Primary Examiner — Selina Sikder

(74) *Attorney, Agent, or Firm* — Harness, Dickey & Pierce,
P.L.C.

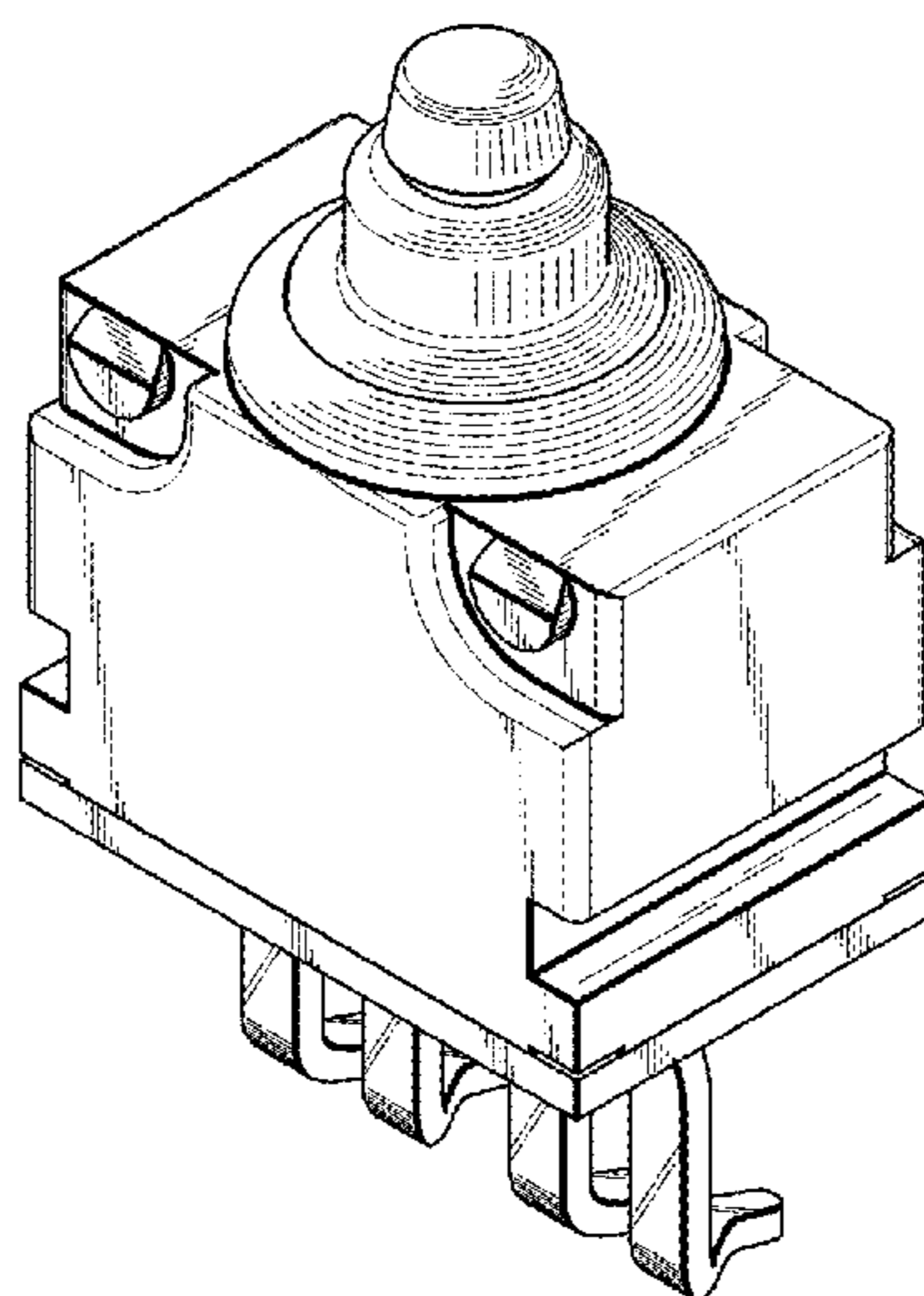
(57) **CLAIM**

The ornamental design for a push switch, as shown and described.

DESCRIPTION

FIG. 1 is a perspective view of a push switch showing my new design;
FIG. 2 is a front elevational view thereof;
FIG. 3 is a rear elevational view thereof;
FIG. 4 is a left side view thereof;
FIG. 5 is a right side view thereof;
FIG. 6 is a top plan view thereof; and,
FIG. 7 is a bottom plan view thereof.

1 Claim, 2 Drawing Sheets



(56)

References Cited

U.S. PATENT DOCUMENTS

6,884,952	B2 *	4/2005	Mauroux et al.	200/251	8,878,084	B2 *	11/2014	Urakami	200/239
7,067,751	B2 *	6/2006	Nishimura et al.	200/293	8,916,784	B2 *	12/2014	Chuang	200/5 R
7,180,025	B2 *	2/2007	Kuwana et al.	200/520	2005/0112960	A1 *	5/2005	Du et al.	439/862
7,202,432	B2 *	4/2007	Nishimura	200/563	2006/0243576	A1 *	11/2006	Kuwana et al.	200/329
7,235,754	B2 *	6/2007	Rochon et al.	200/406	2010/0184334	A1 *	7/2010	Ma	439/626
D558,155	S *	12/2007	Michaud et al.	D13/177	2010/0219052	A1 *	9/2010	Hallet	200/61.54
					2013/0199907	A1 *	8/2013	Sugihara et al.	200/296
					2013/0256104	A1 *	10/2013	Fujita et al.	200/252
					2015/0041294	A1 *	2/2015	Lee	200/293

* cited by examiner

Fig. 1

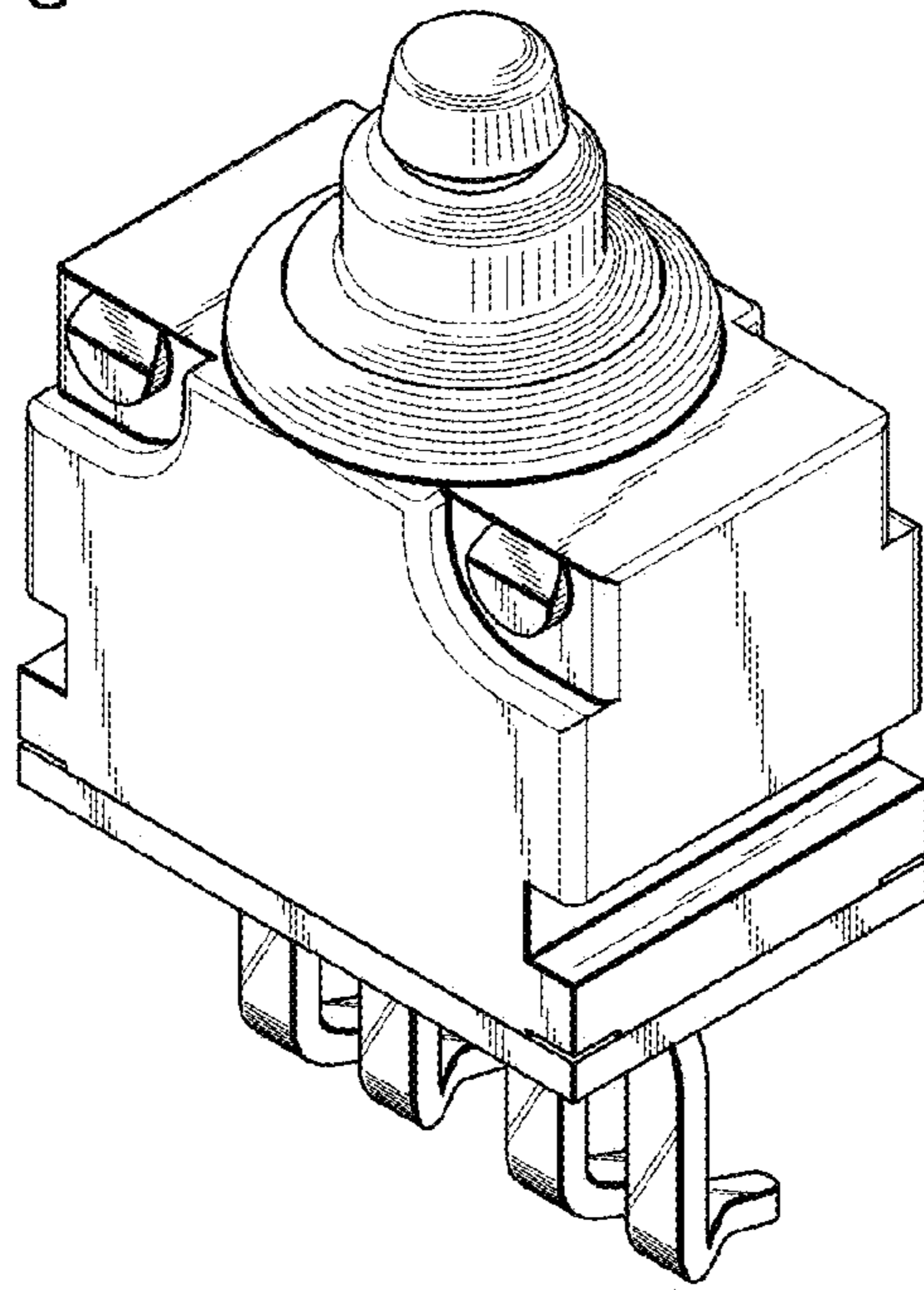


Fig. 2

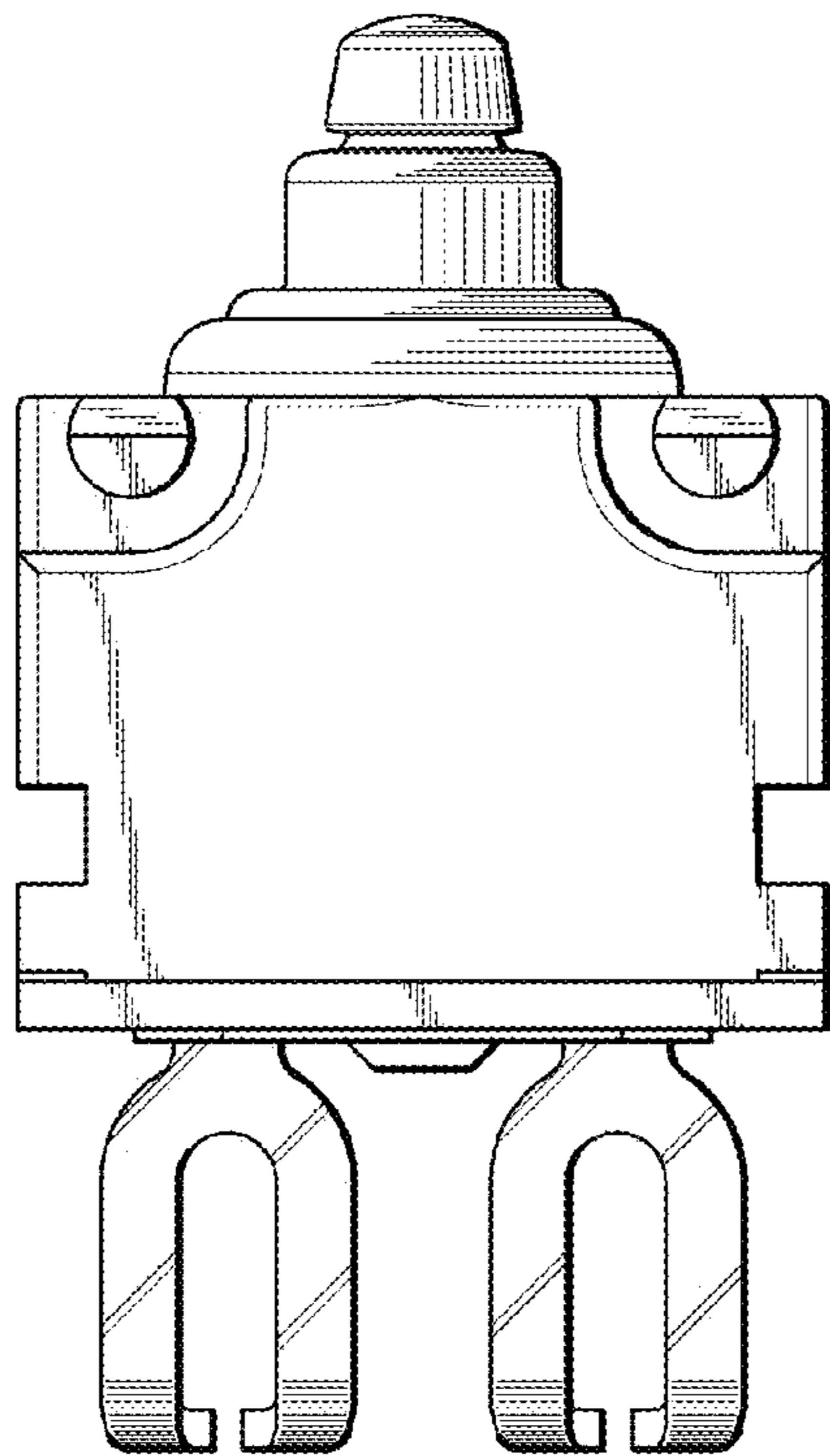


Fig. 3

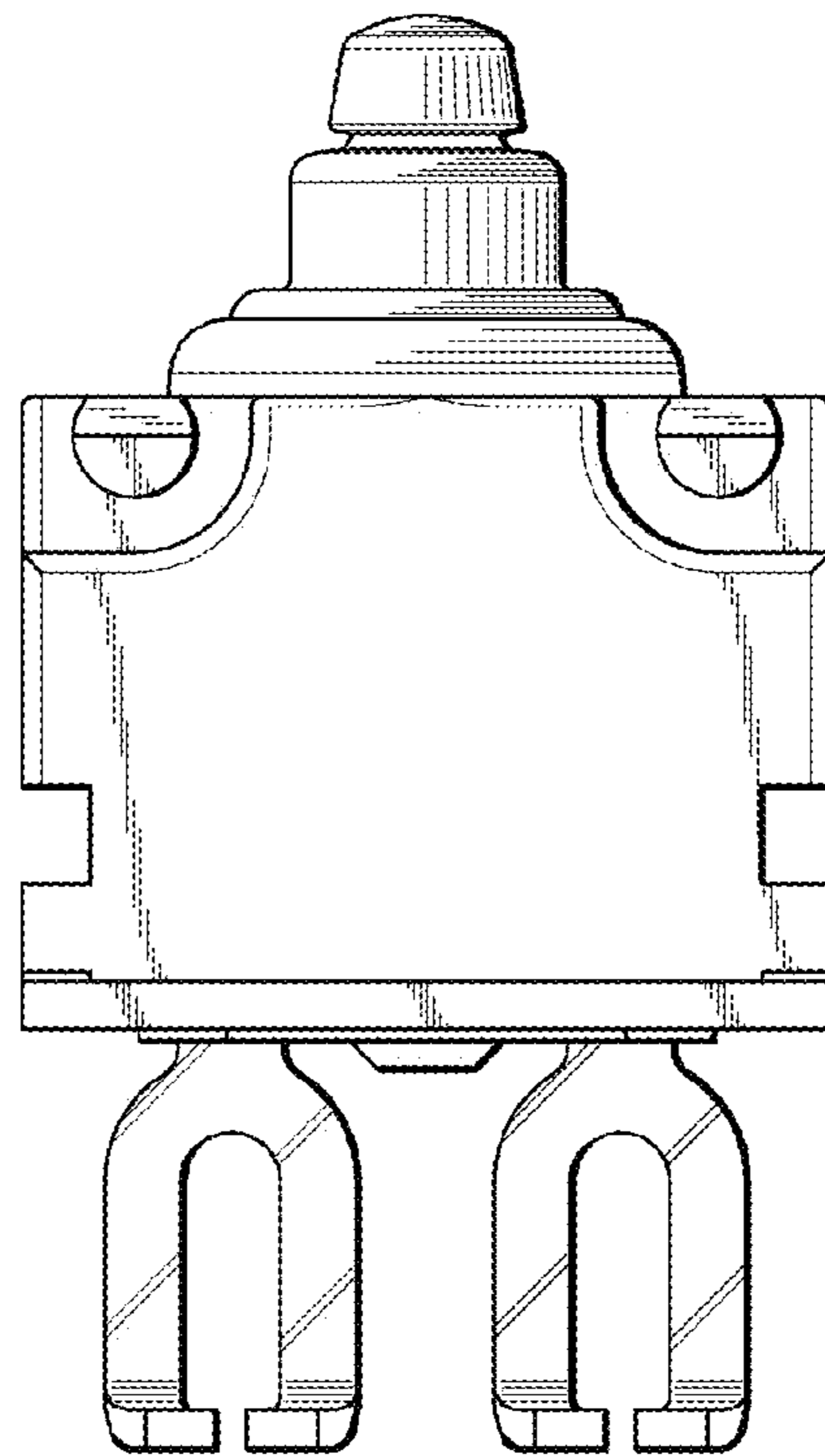


Fig. 4

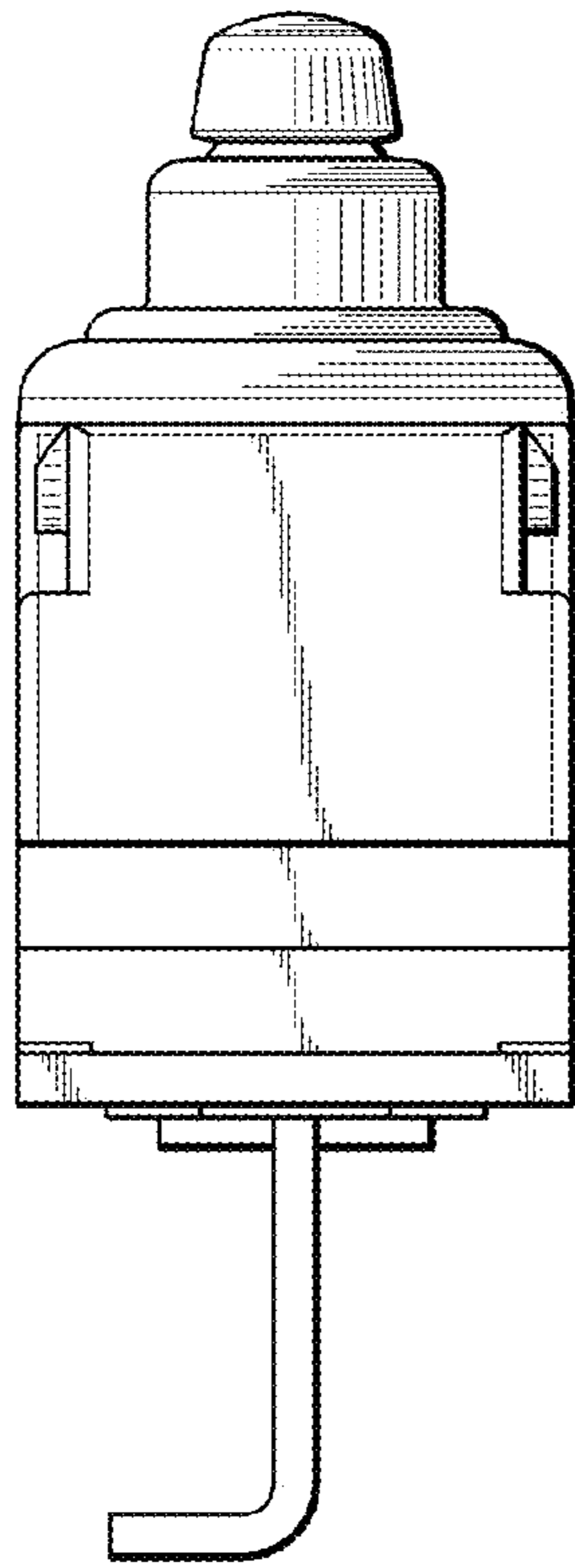


Fig. 5

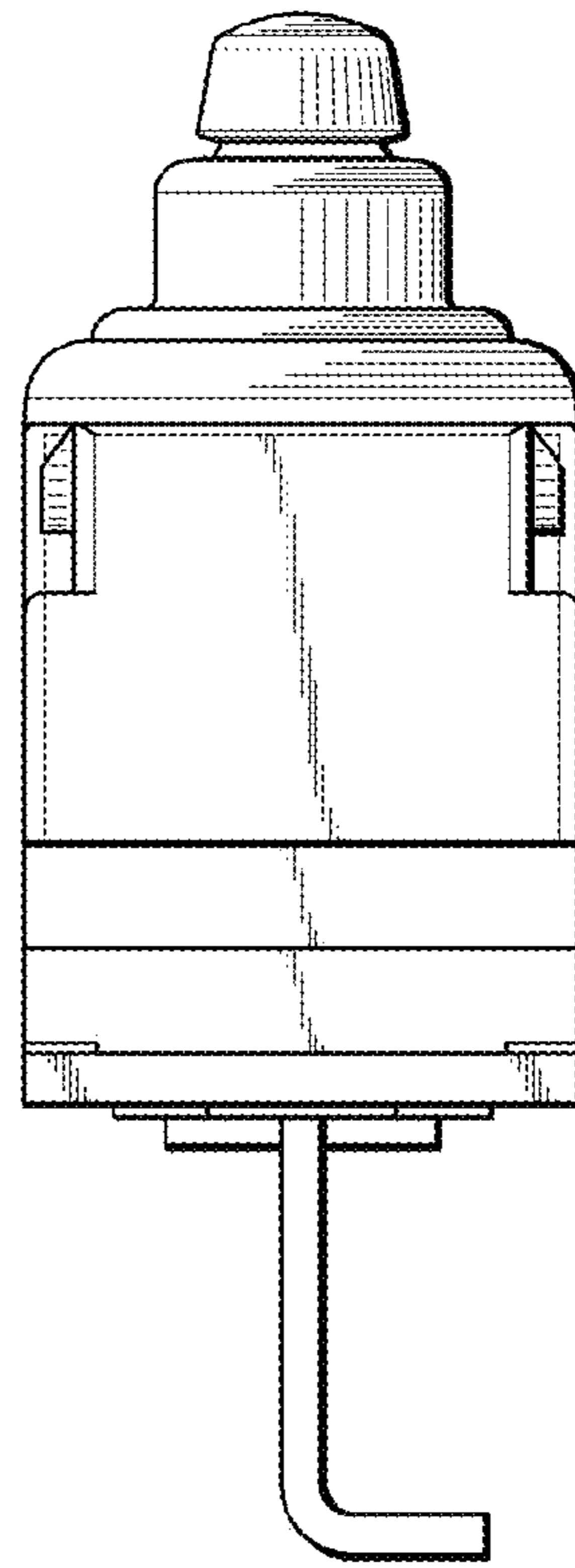


Fig. 6

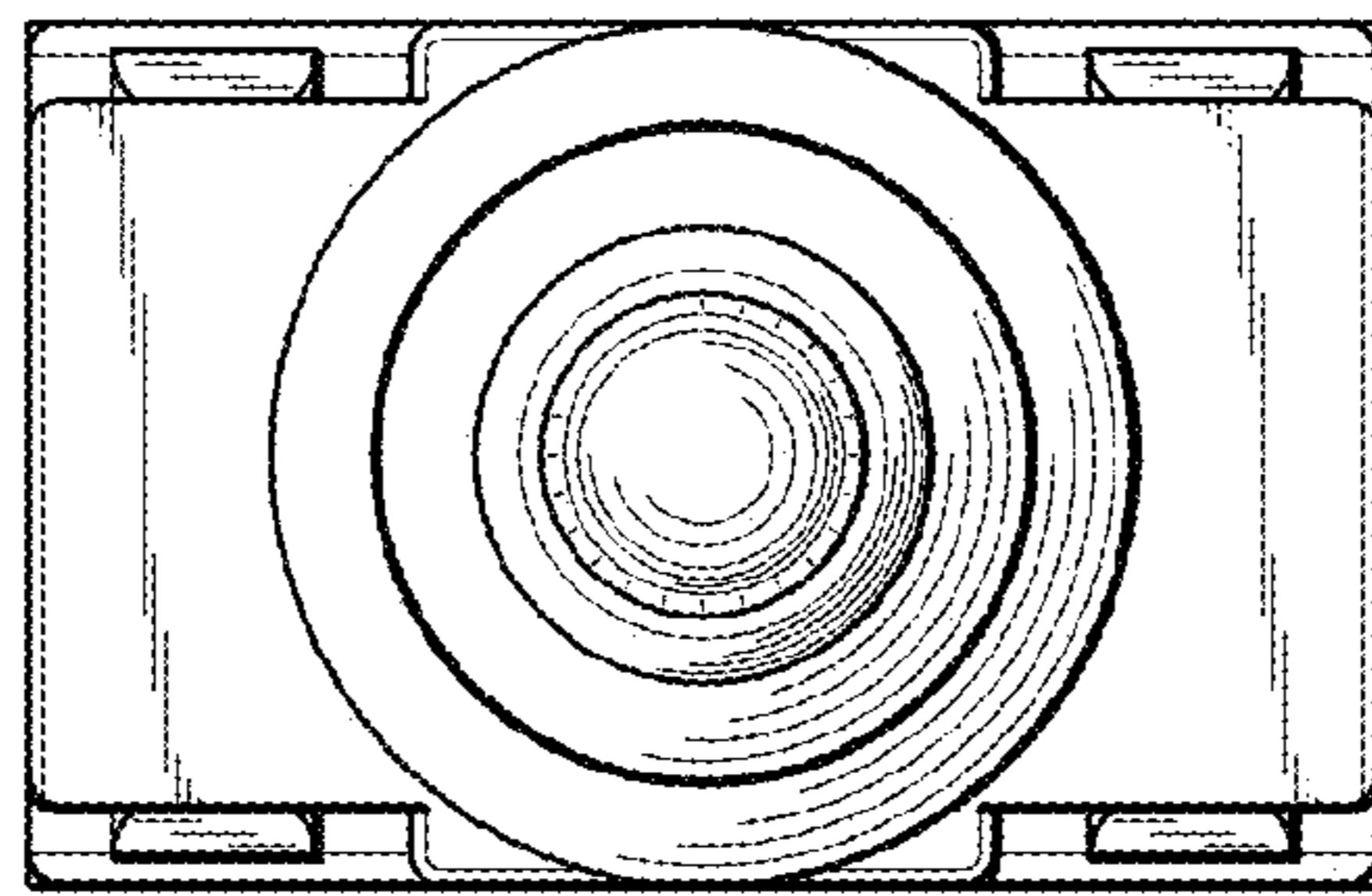


Fig. 7

