



US00D743916S

(12) **United States Design Patent**  
**Sakai**

(10) **Patent No.:** **US D743,916 S**  
(45) **Date of Patent:** **\*\* Nov. 24, 2015**

(54) **REMOTE CONTROLLER**

(71) Applicant: **Yuki Sakai**, Tokyo (JP)

(72) Inventor: **Yuki Sakai**, Tokyo (JP)

(73) Assignee: **Mitsubishi Electric Corporation**,  
Tokyo (JP)

(\*\*) Term: **14 Years**

(21) Appl. No.: **29/516,257**

(22) Filed: **Jan. 30, 2015**

**Related U.S. Application Data**

(62) Division of application No. 29/440,804, filed on Dec. 27, 2012.

**Foreign Application Priority Data**

Jul. 17, 2012	(JP)	.....	2012-016878
Jul. 17, 2012	(JP)	.....	2012-016879
Jul. 17, 2012	(JP)	.....	2012-016880
Jul. 17, 2012	(JP)	.....	2012-016881

(51) **LOC (10) Cl.** ..... **14-03**

(52) **U.S. Cl.**  
USPC ..... **D13/168**

(58) **Field of Classification Search**  
USPC ..... D13/168; D10/49, 50; D14/218  
CPC ..... H03J 1/0025; H03J 9/00; H03J 9/02;  
H03J 9/04; H03J 9/06; H01H 9/0235; H04B  
1/202; G05B 11/01; G05B 2219/2642; G08C  
17/00; G08C 17/02; G08C 19/28; G08C  
23/04; G08C 2201/20; G08C 2201/30; G08C  
2201/33; G08C 2201/40; G08C 2201/91;  
G08C 2201/92; F24F 11/0012; F24F 11/0009;  
F24F 2011/0068

See application file for complete search history.

(56) **References Cited**

U.S. PATENT DOCUMENTS

D409,200 S 5/1999 Cooper  
D501,463 S 2/2005 Hisatsune

(Continued)

*Primary Examiner* — Selina Sikder

(74) *Attorney, Agent, or Firm* — Sughrue Mion, PLLC

(57) **CLAIM**

The ornamental design for a remote controller, as shown and described.

**DESCRIPTION**

FIG. 1 is a front, top and right side perspective view of a remote controller, showing an embodiment of my new design;

FIG. 2 is a rear, bottom and left side perspective view thereof;

FIG. 3 is a front elevational view thereof;

FIG. 4 is a rear elevational view thereof;

FIG. 5 is a left side elevational view thereof;

FIG. 6 is a right side elevational view thereof;

FIG. 7 is a top plan view thereof;

FIG. 8 is a bottom plan view thereof;

FIG. 9 is a reference vertical cross-sectional view thereof; taken in the direction of line 9-9 in FIG. 3, with broken line disclosure of internal elements understood to represent unclaimed portions of the article in which the claimed design is embodied;

FIG. 10 is a front, top and right side perspective view of a remote controller, showing a further embodiment of my new design;

FIG. 11 is a rear, bottom and left side perspective view thereof;

FIG. 12 is a front elevational view thereof;

FIG. 13 is a rear elevational view thereof;

FIG. 14 is a left side elevational view thereof;

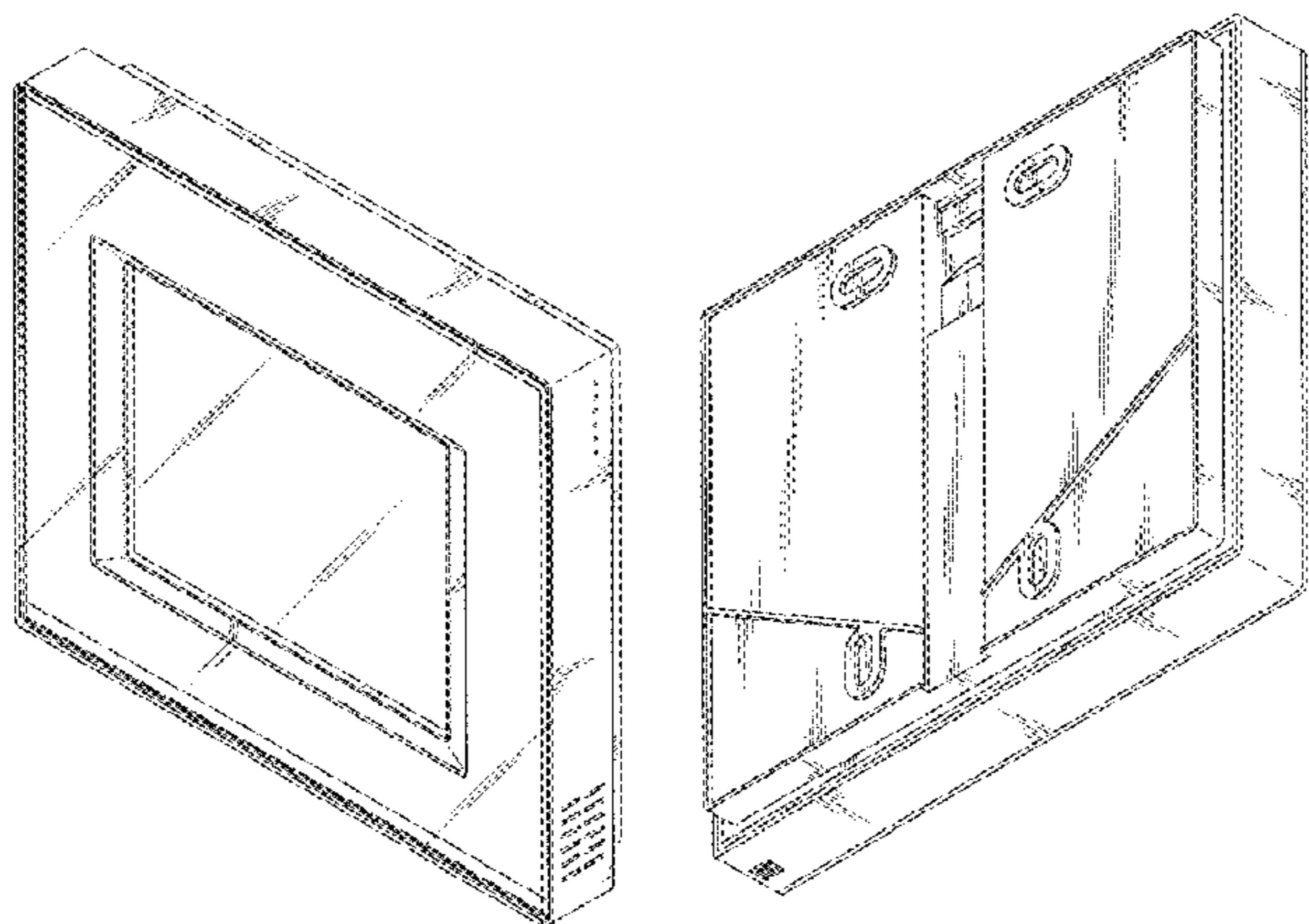
FIG. 15 is a right side elevational view thereof;

FIG. 16 is a top plan view thereof;

FIG. 17 is a bottom plan view thereof; and,

FIG. 18 is a reference vertical cross-sectional view thereof; taken in the direction of line 18-18 in FIG. 12, with broken line disclosure of internal elements understood to represent unclaimed portions of the article in which the claimed design is embodied.

**1 Claim, 14 Drawing Sheets**



(56)

**References Cited**

U.S. PATENT DOCUMENTS

D518,744 S 4/2006 Rosen  
D582,800 S 12/2008 Comerford et al.  
D582,802 S 12/2008 Branson et al.  
D623,606 S \* 9/2010 Nakai et al. .... D13/168  
D630,169 S 1/2011 Nakai et al.  
D635,556 S 4/2011 Suzuki

D648,641 S 11/2011 Wallaert et al.  
D661,662 S 6/2012 Kikuchi et al.  
D678,218 S 3/2013 Sheen  
D678,219 S 3/2013 Higashijima et al.  
D696,636 S 12/2013 Sakai  
D725,611 S \* 3/2015 Sakai ..... D13/173  
D730,301 S \* 5/2015 Sakai ..... D13/168  
D731,443 S \* 6/2015 Sakai ..... D13/168  
D736,165 S \* 8/2015 Sakai ..... D13/168

\* cited by examiner

Fig. 1

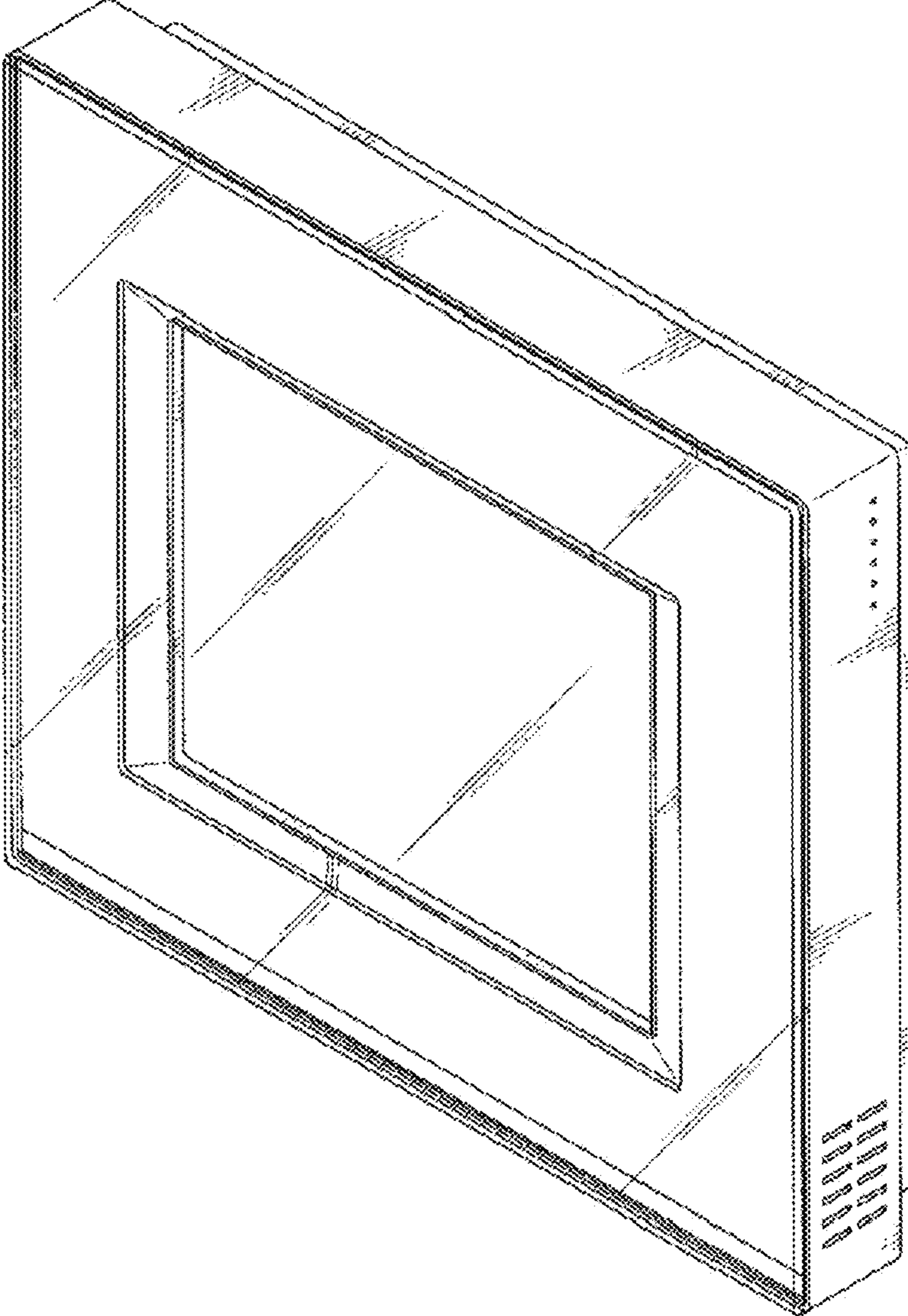


Fig. 2

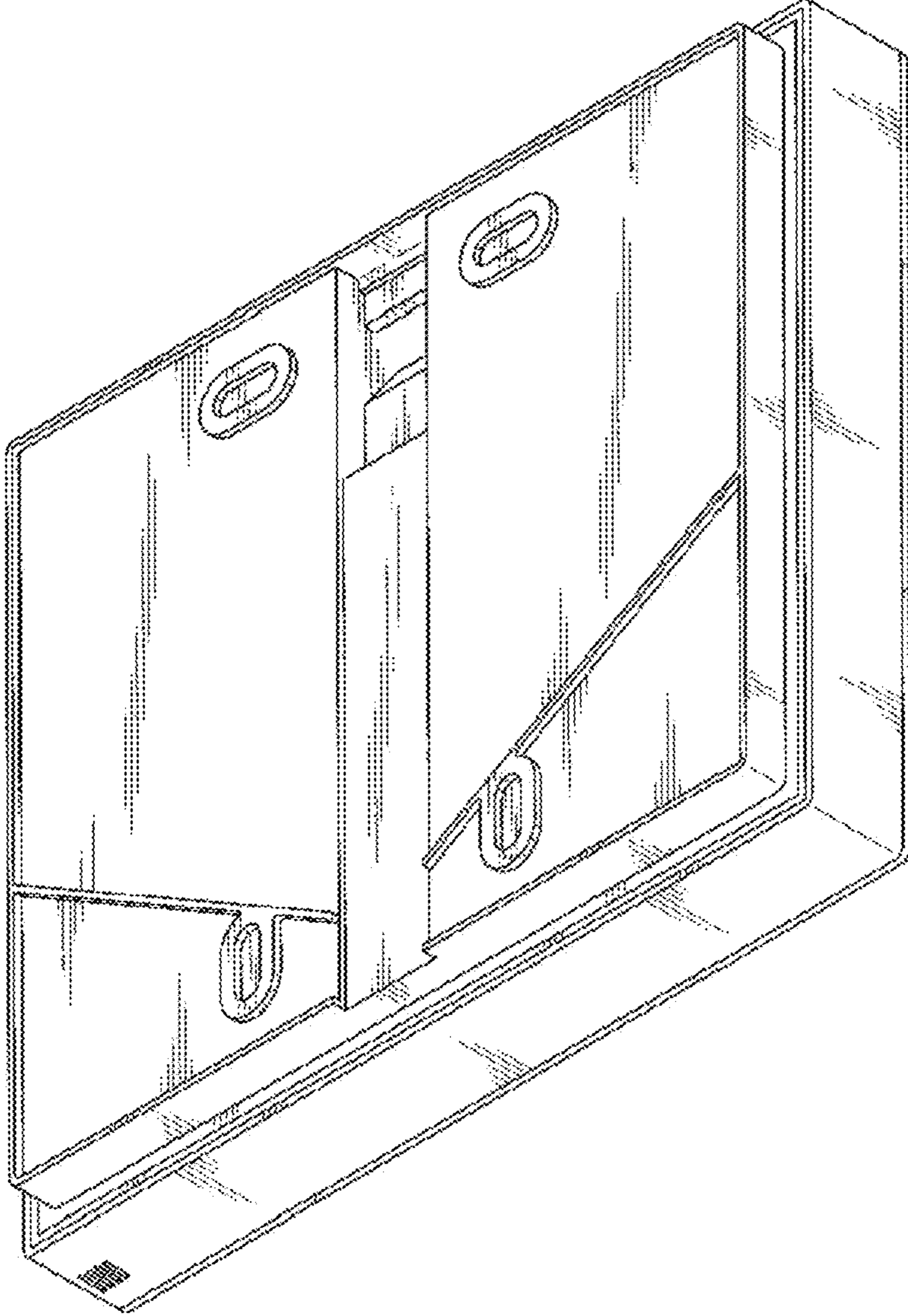


Fig. 3

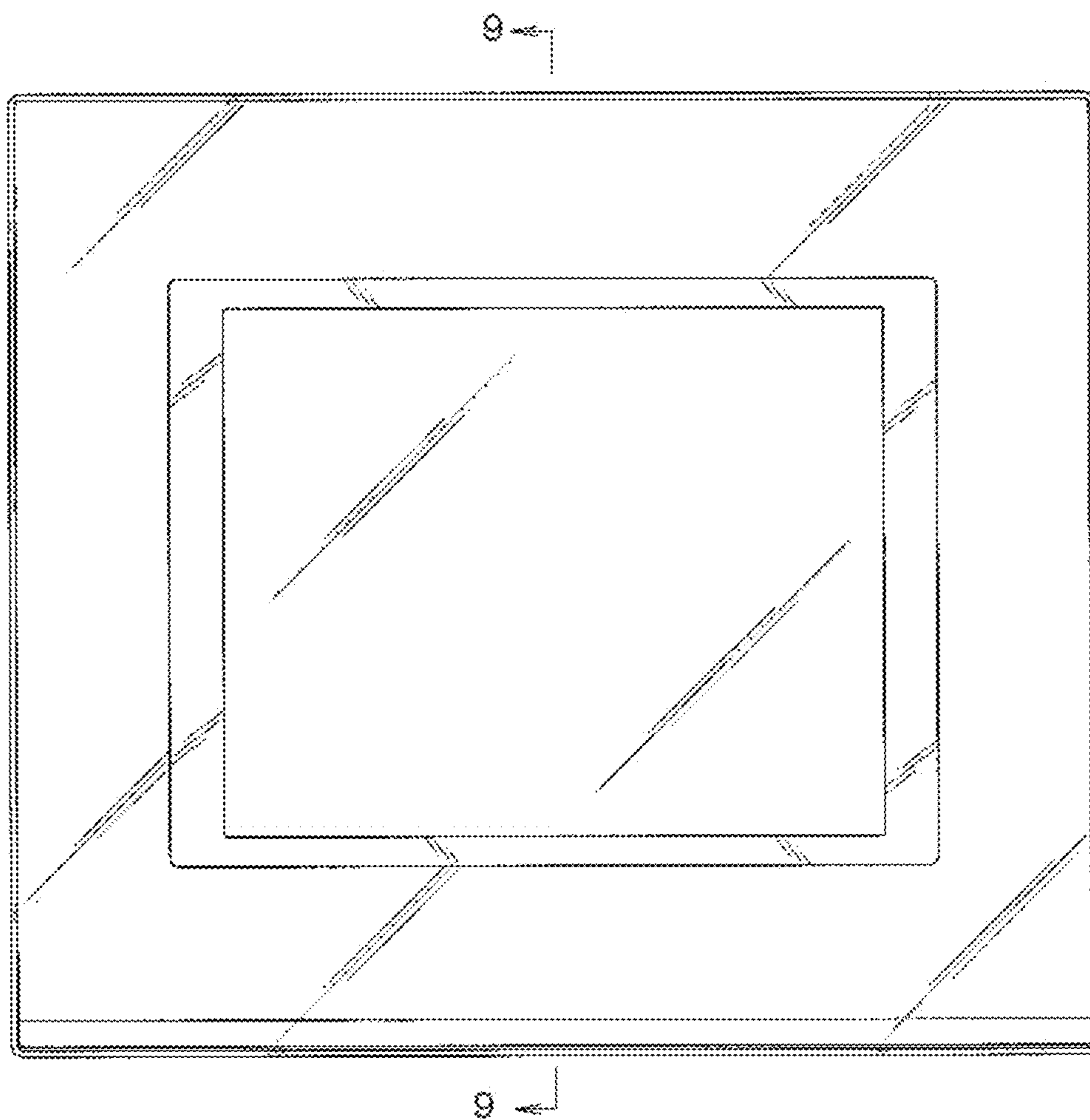


Fig. 4

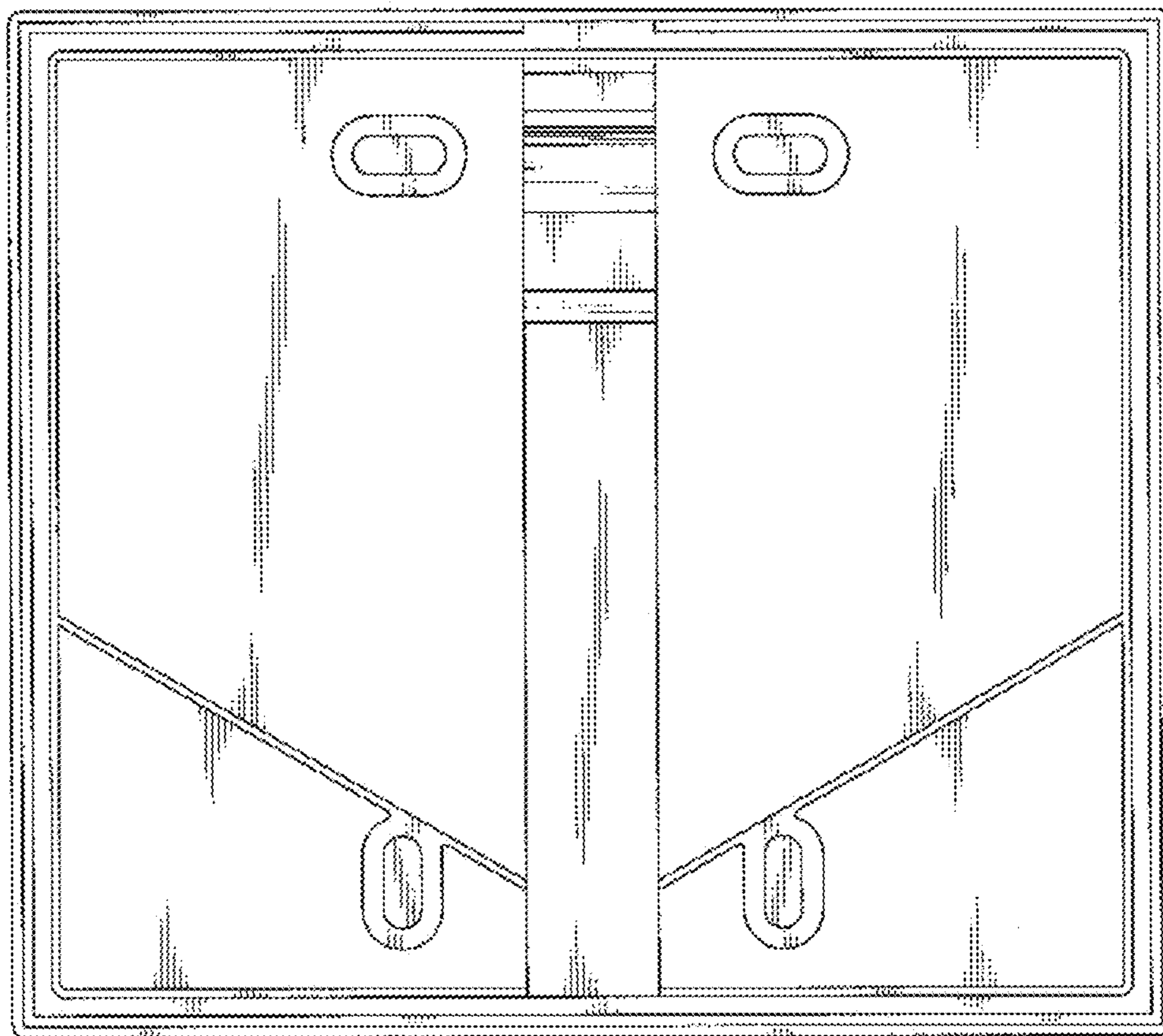


Fig. 5

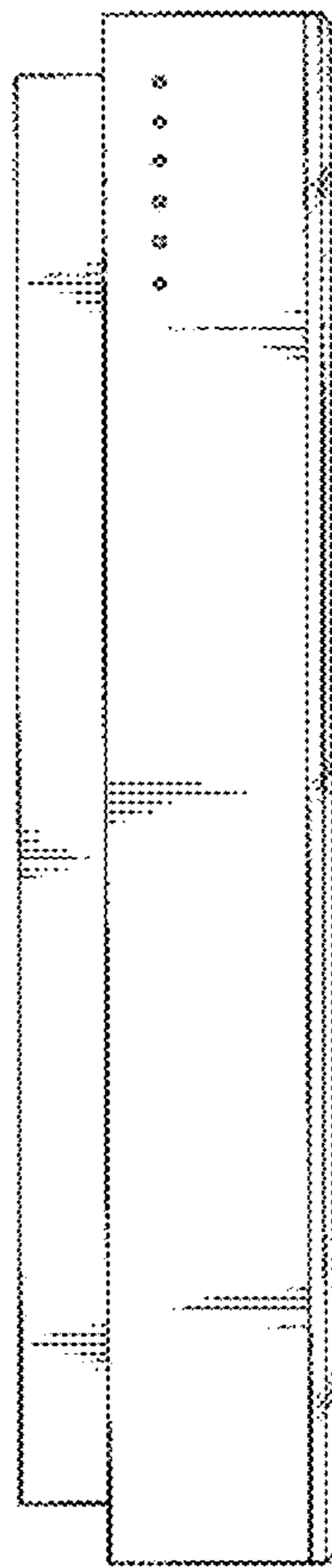


Fig. 6

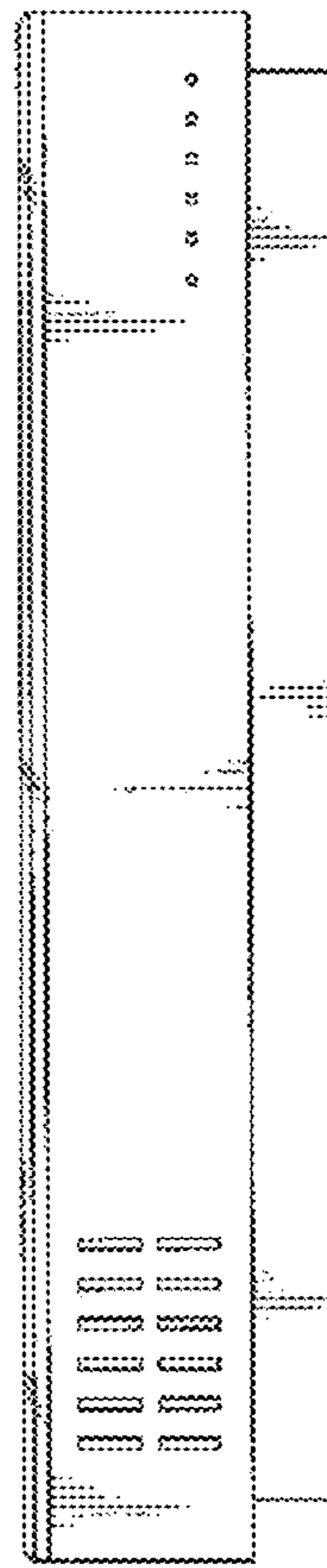


Fig. 7

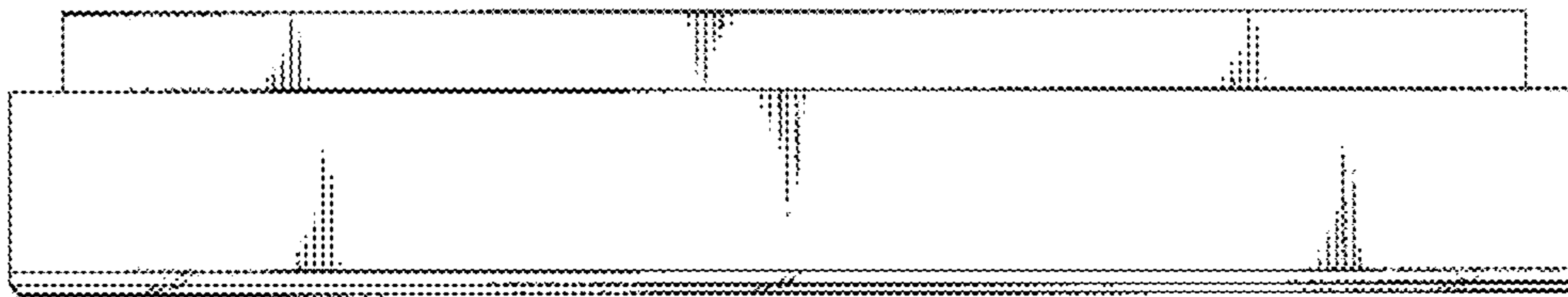


Fig. 8

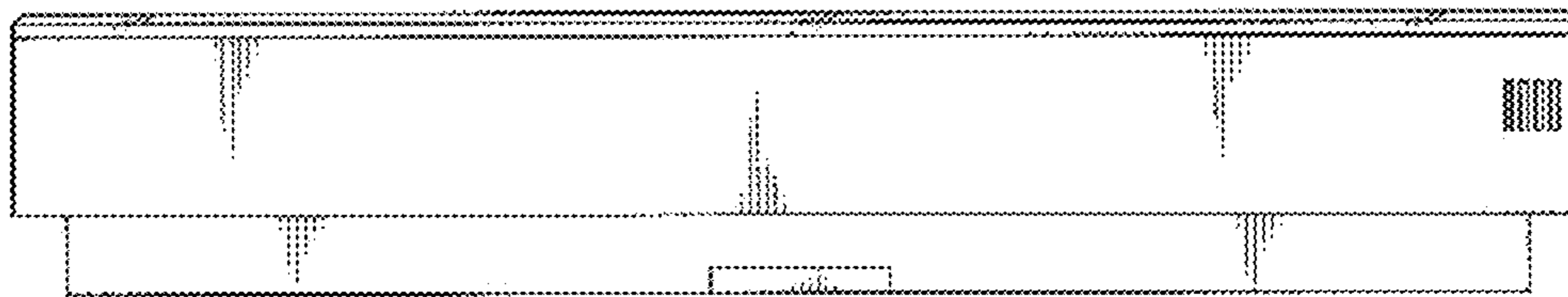




Fig. 9

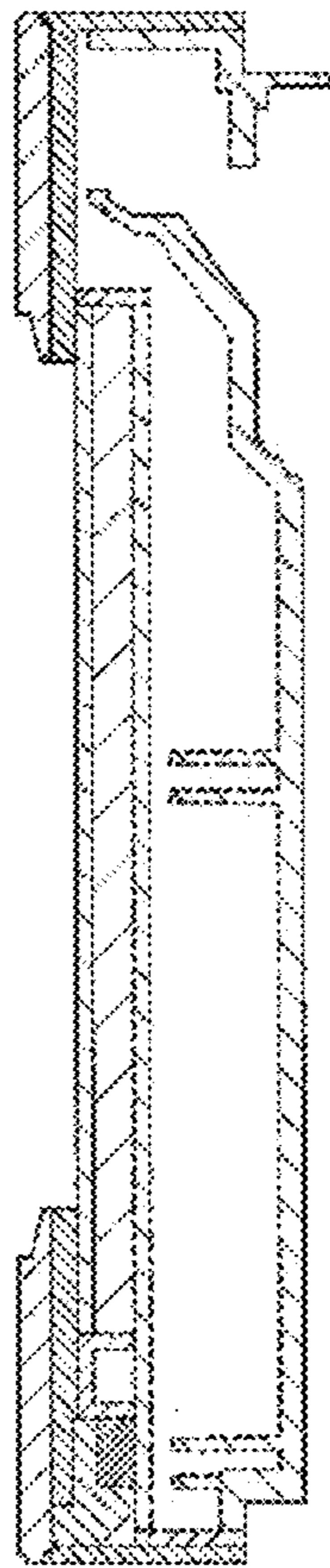


Fig. 10

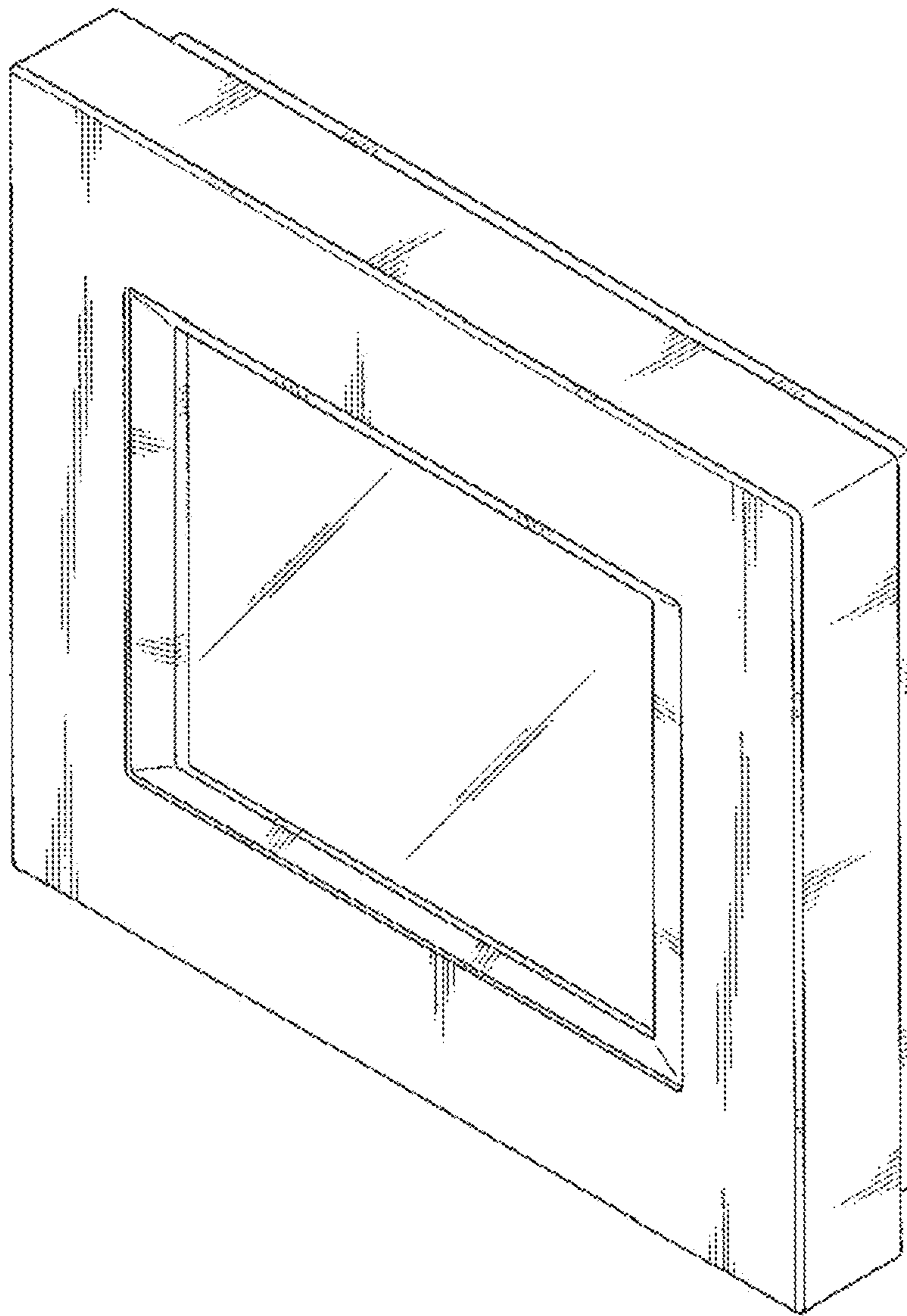


Fig. 11

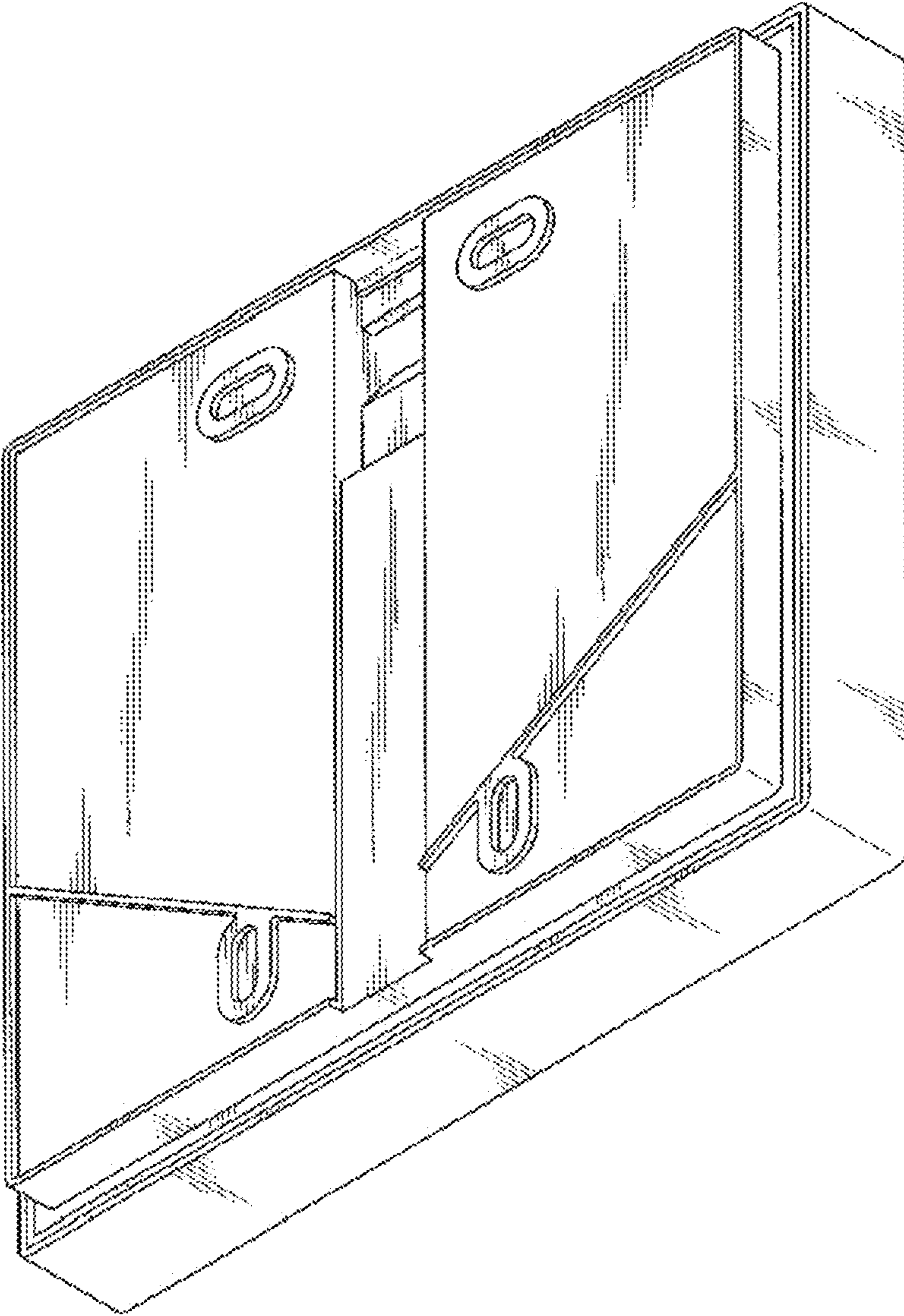


Fig. 12

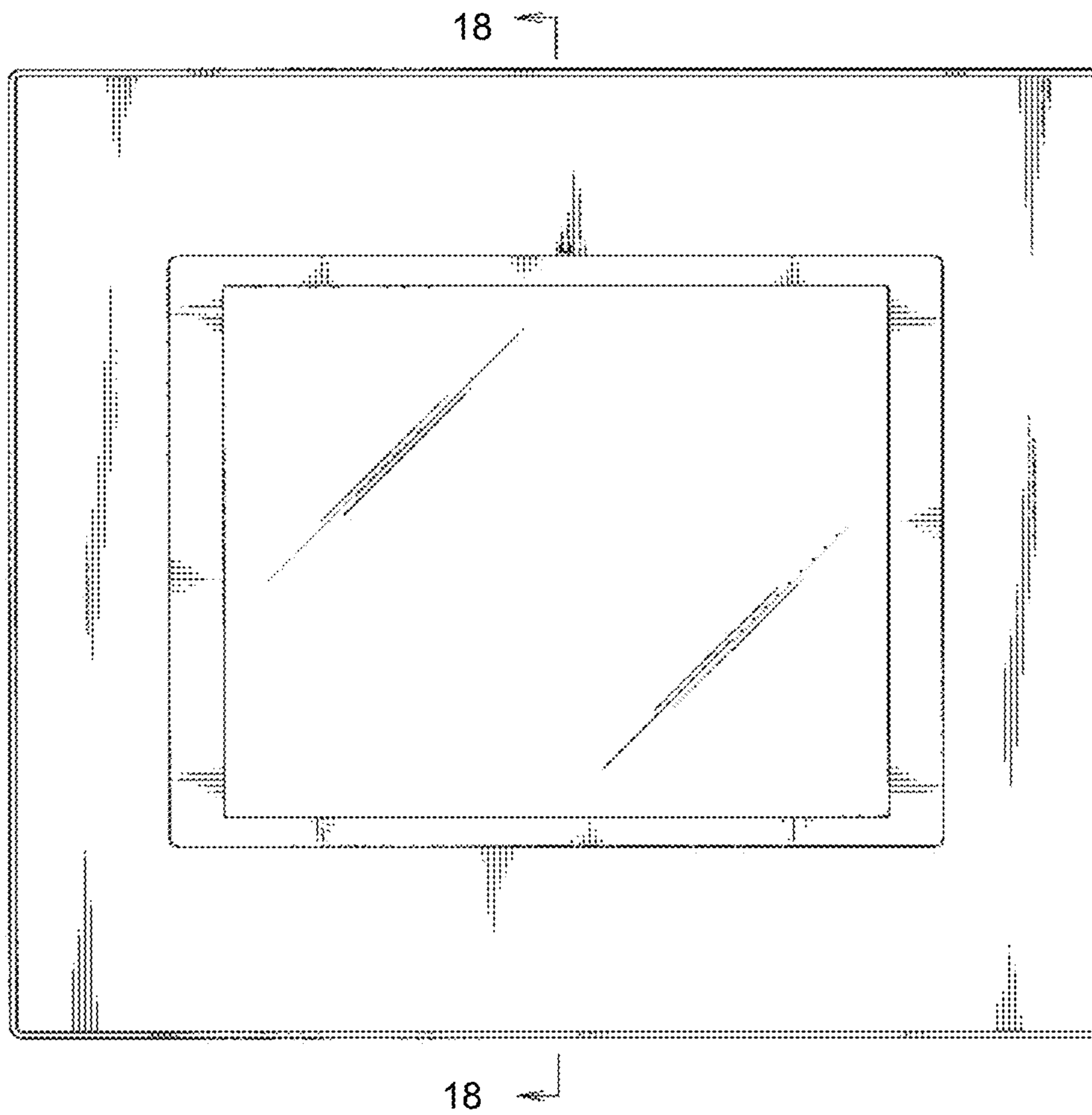


Fig. 13

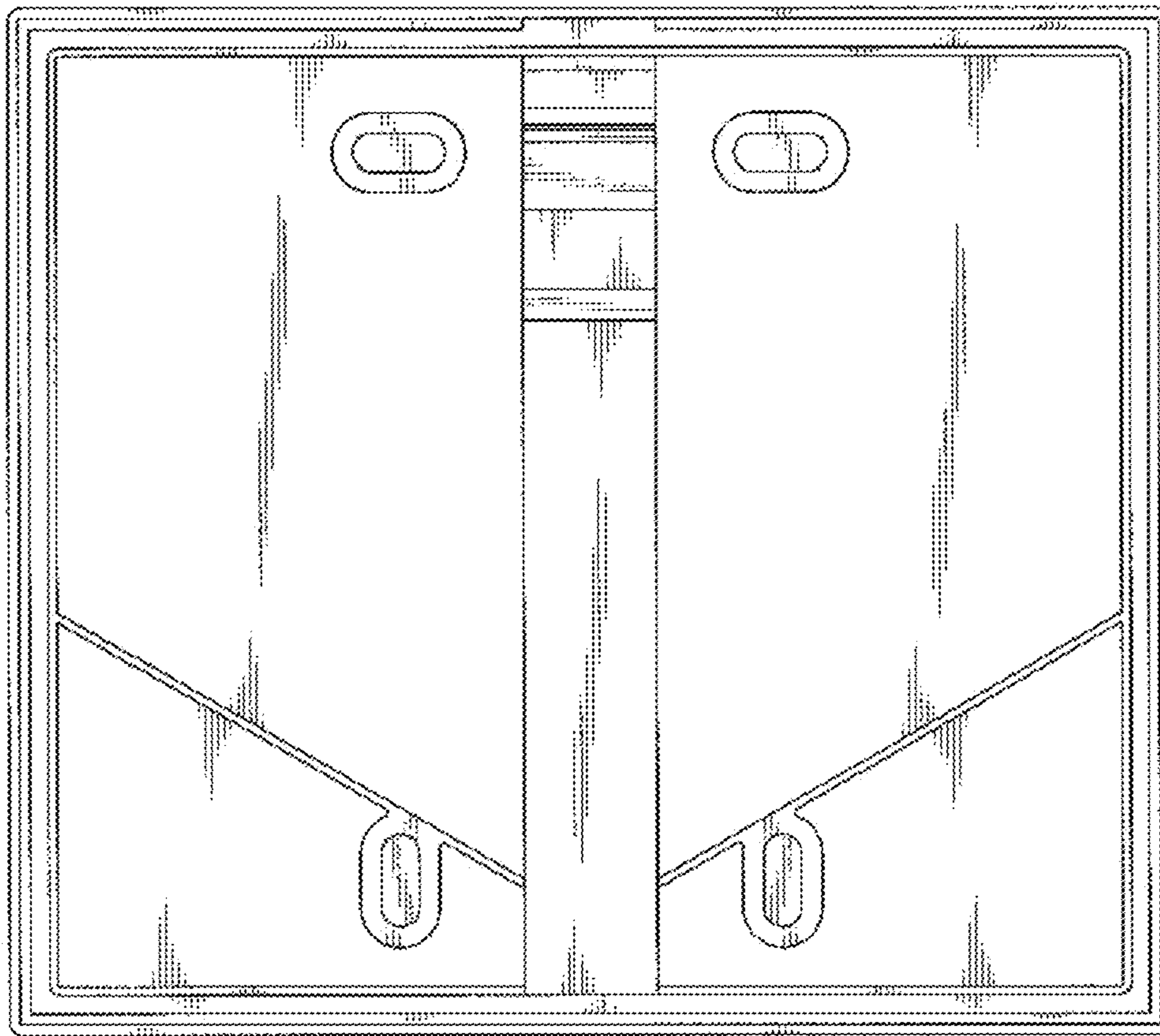


Fig. 14

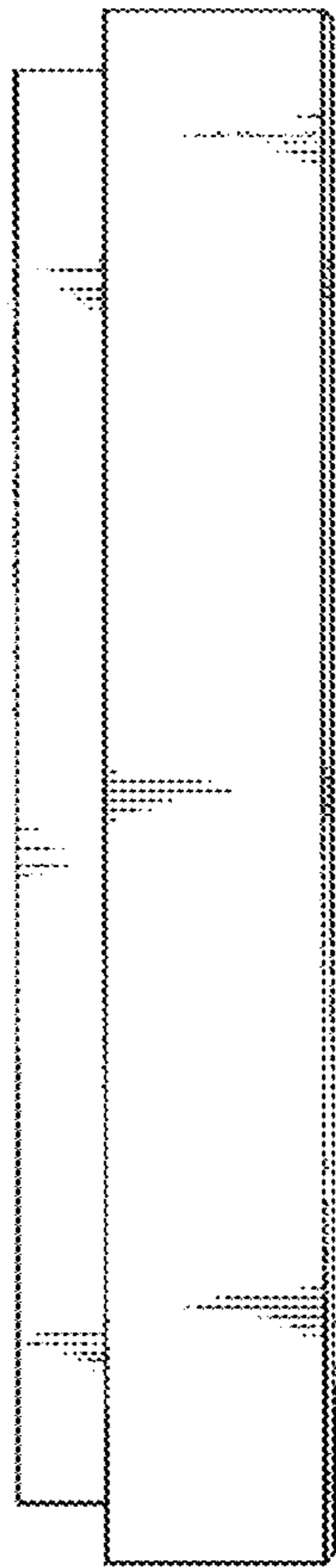


Fig. 15

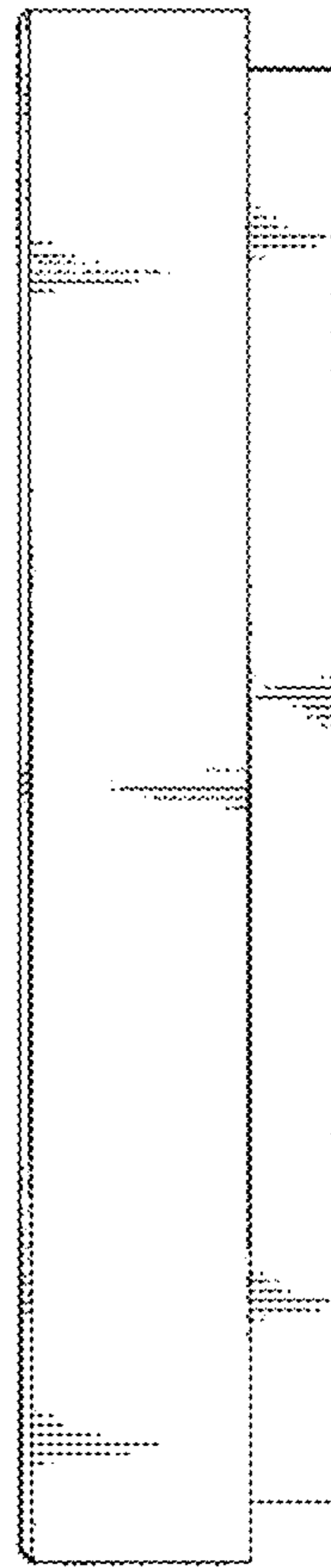


Fig. 16

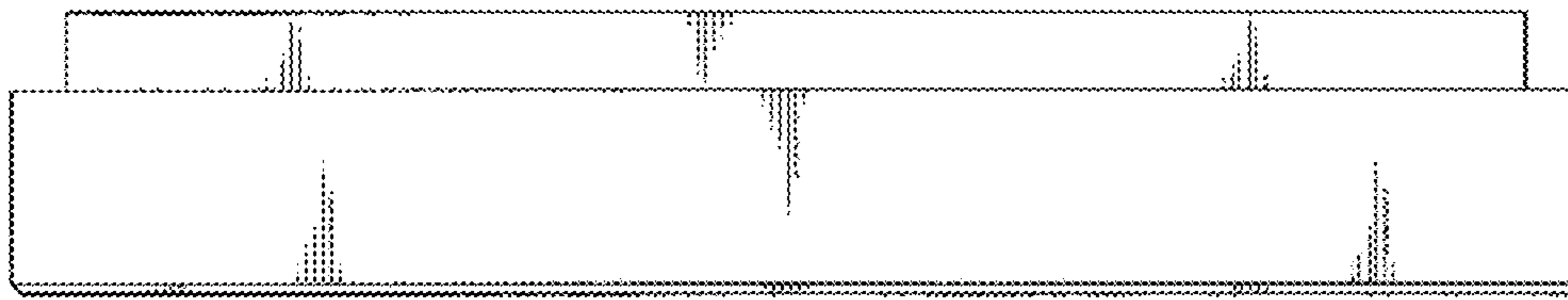


Fig. 17

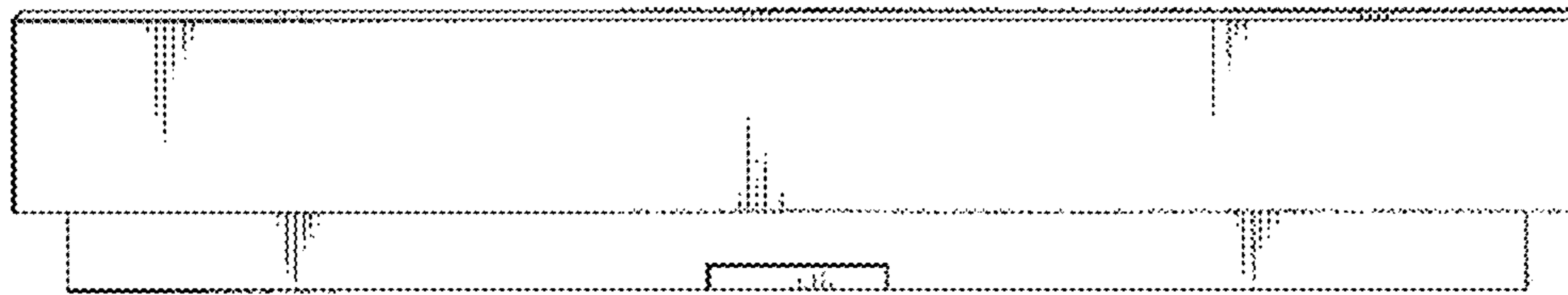


Fig. 18

