



US00D743915S

(12) **United States Design Patent**
Sakai et al.

(10) **Patent No.:** **US D743,915 S**
(45) **Date of Patent:** **** Nov. 24, 2015**

(54) **REMOTE CONTROLLER FOR AIR
CONDITIONER**

8,167,216 B2 * 5/2012 Schultz et al. 236/51
D667,797 S * 9/2012 Saitou D13/168
D680,973 S * 4/2013 Nakai D13/168
D693,778 S * 11/2013 Sakai et al. D13/168
D708,588 S * 7/2014 Ikegaya D13/168

(71) Applicants: **Yuki Sakai**, Tokyo (JP); **Takayuki
Nishiguchi**, Tokyo (JP)

FOREIGN PATENT DOCUMENTS

(72) Inventors: **Yuki Sakai**, Tokyo (JP); **Takayuki
Nishiguchi**, Tokyo (JP)

AU 338124 S 8/2011
AU 340503 S 1/2012

(73) Assignee: **Mitsubishi Electric Corporation**,
Tokyo (JP)

(Continued)

(**) Term: **14 Years**

OTHER PUBLICATIONS

(21) Appl. No.: **29/441,538**

Office Action, dated Oct. 3, 2013, issued by the Federal Service for
Intellectual Property of the Russian Federation, in counterpart Appli-
cation No. 2013500047.

(22) Filed: **Jan. 7, 2013**

Primary Examiner — Selina Sikder

(30) **Foreign Application Priority Data**

(74) *Attorney, Agent, or Firm* — Sughrue Mion, PLLC

Jul. 12, 2012 (JP) 2012-016593

(51) **LOC (10) Cl.** **14-03**

(57) **CLAIM**

The ornamental design for a remote controller for air condi-
tioner, as shown and described.

(52) **U.S. Cl.**

USPC **D13/168**

DESCRIPTION

(58) **Field of Classification Search**

USPC D13/168; D10/49, 50; D14/218
CPC H03J 1/0025; H03J 9/02; H03J 9/04;
H03J 9/06; H01H 9/0235; H04B 1/202;
G05B 11/01; G08C 17/00; G08C 17/02;
F24F 11/0012; F24F 11/0009; F24F
2011/0068

FIG. 1 is a perspective view of front, right and top side of a
remote controller for air conditioner showing our new design;
FIG. 2 is a front view thereof;
FIG. 3 is a rear view thereof;
FIG. 4 is a right side view thereof, a left side view is a mirror
image thereof;
FIG. 5 is a top view thereof;
FIG. 6 is a bottom view thereof;
FIG. 7 is a reference cross sectional end view of cutting part
at 7-7 in FIG. 5 omitting the interior mechanism; and,
FIG. 8 is a reference rear view for showing a situation in
which a hook is slid.
The portions of the article in broken lines are shown for
illustrative purposes only and form no part of the claimed
design.

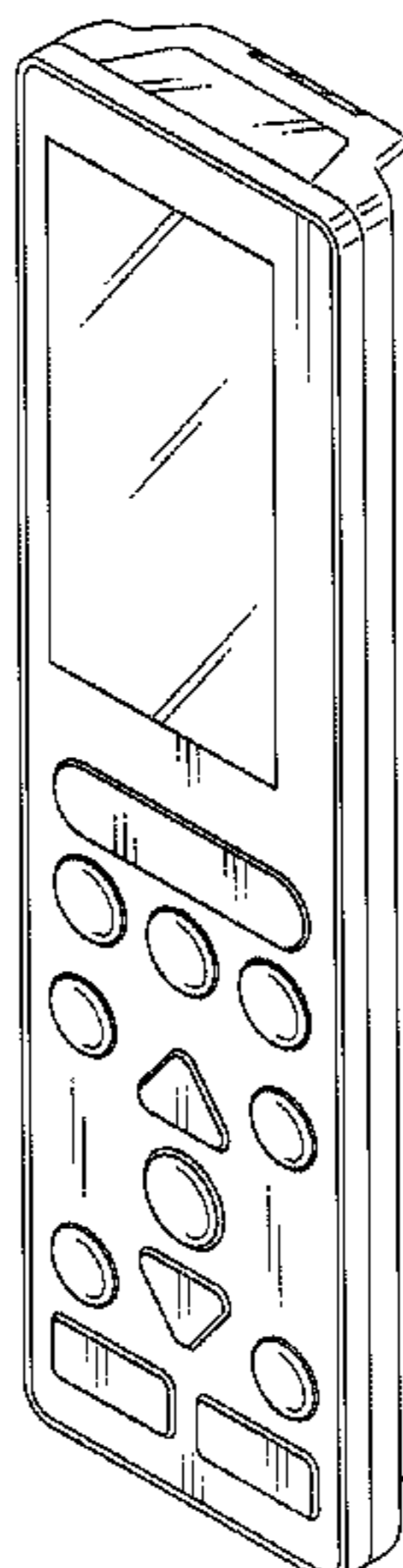
See application file for complete search history.

(56) **References Cited**

U.S. PATENT DOCUMENTS

5,590,831 A * 1/1997 Manson et al. 236/51
6,116,512 A * 9/2000 Dushane et al. 236/51
D621,370 S * 8/2010 Chouji et al. D13/168
D648,285 S * 11/2011 Kashimoto D13/168
D653,221 S * 1/2012 Kashimoto D13/168
D657,754 S * 4/2012 Kashimoto D13/168

1 Claim, 7 Drawing Sheets



US D743,915 S

Page 2

(56)

References Cited

FOREIGN PATENT DOCUMENTS

DE M8906984 11/1990
FR 932833-001 11/1993

JP 1311901 S 10/2007
JP 1324288 S 3/2008
JP 1336895 S 8/2008
JP 1400597 S 11/2010

* cited by examiner

Fig. 1

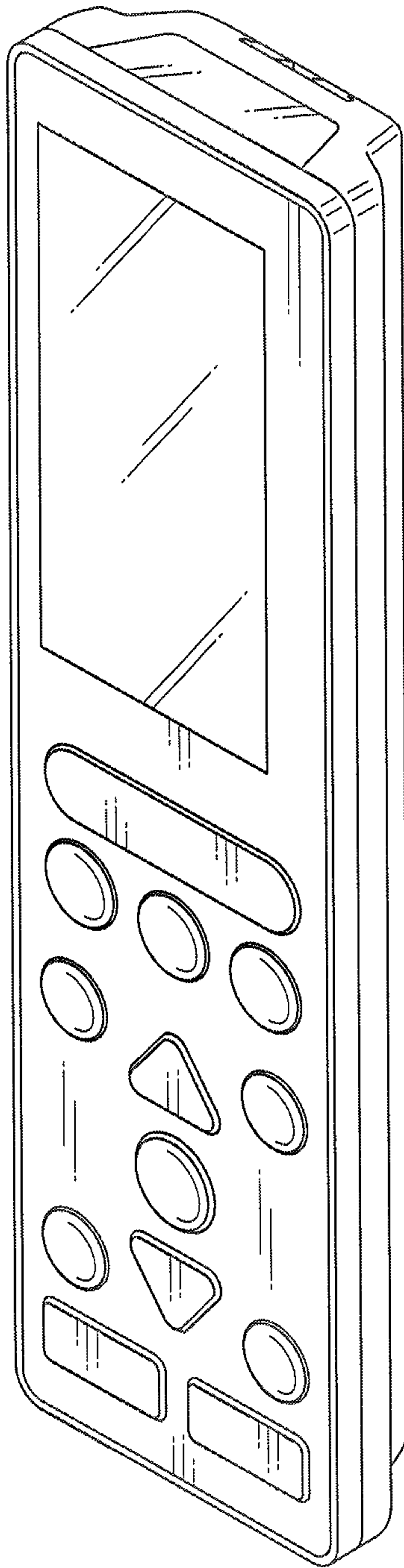


Fig. 2

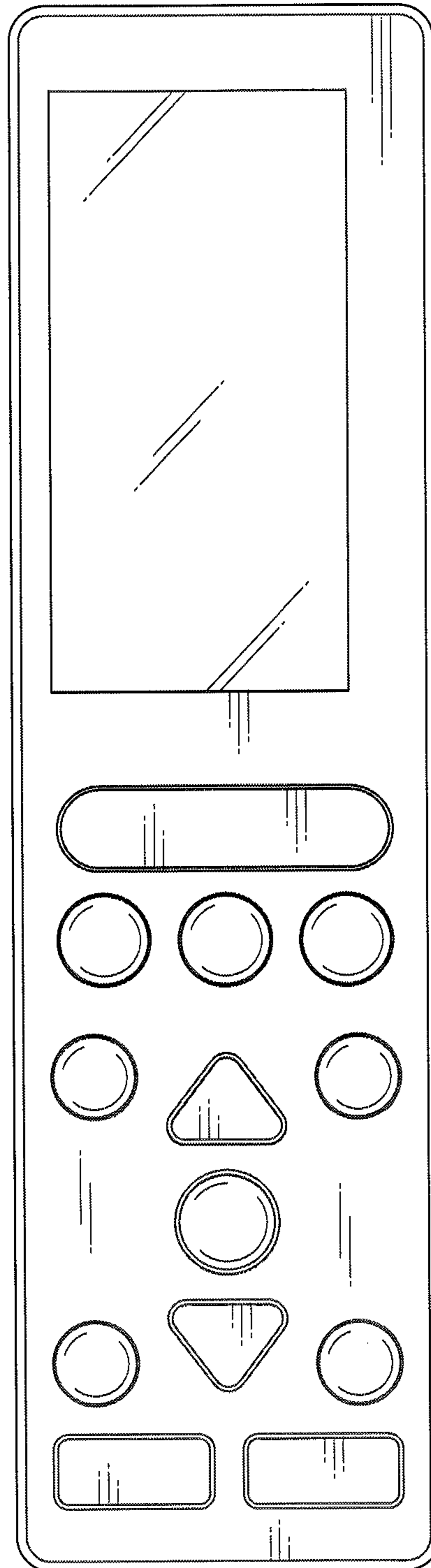


Fig. 3

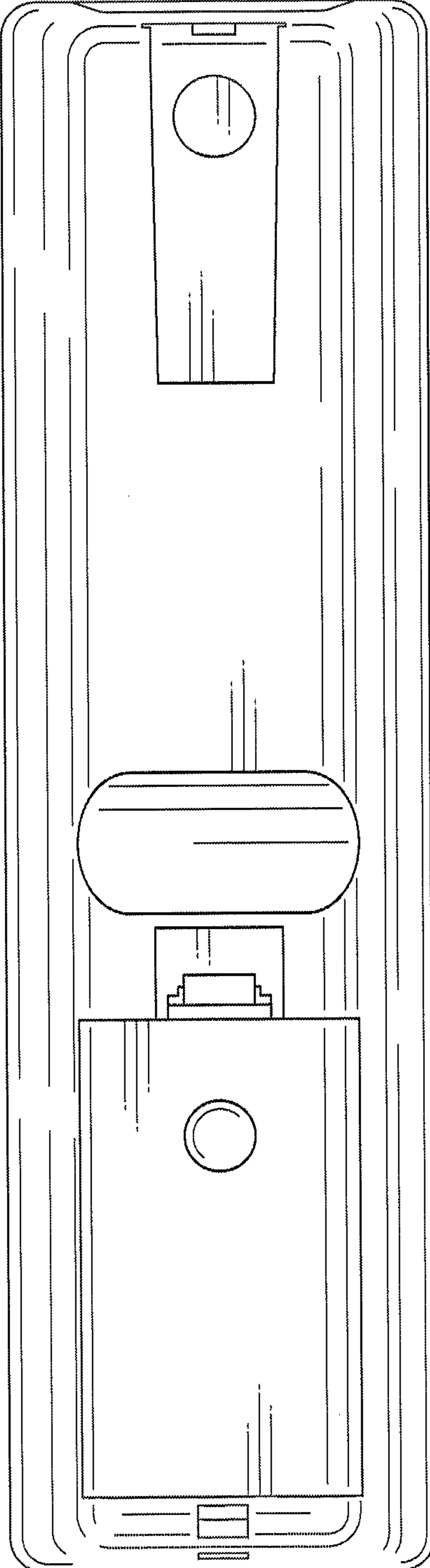


Fig. 4

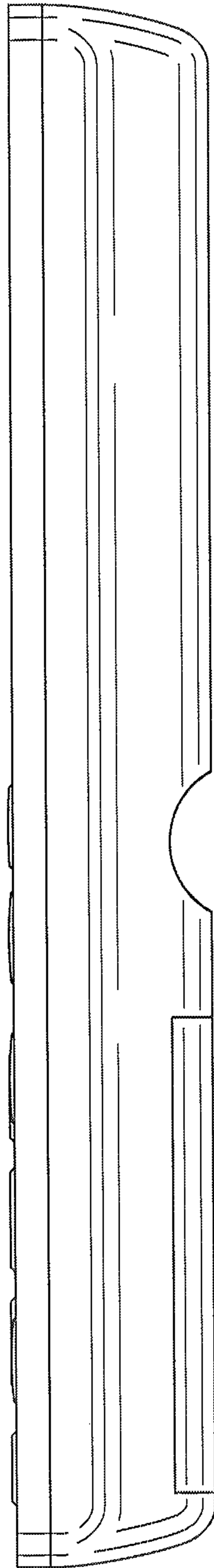


Fig. 5

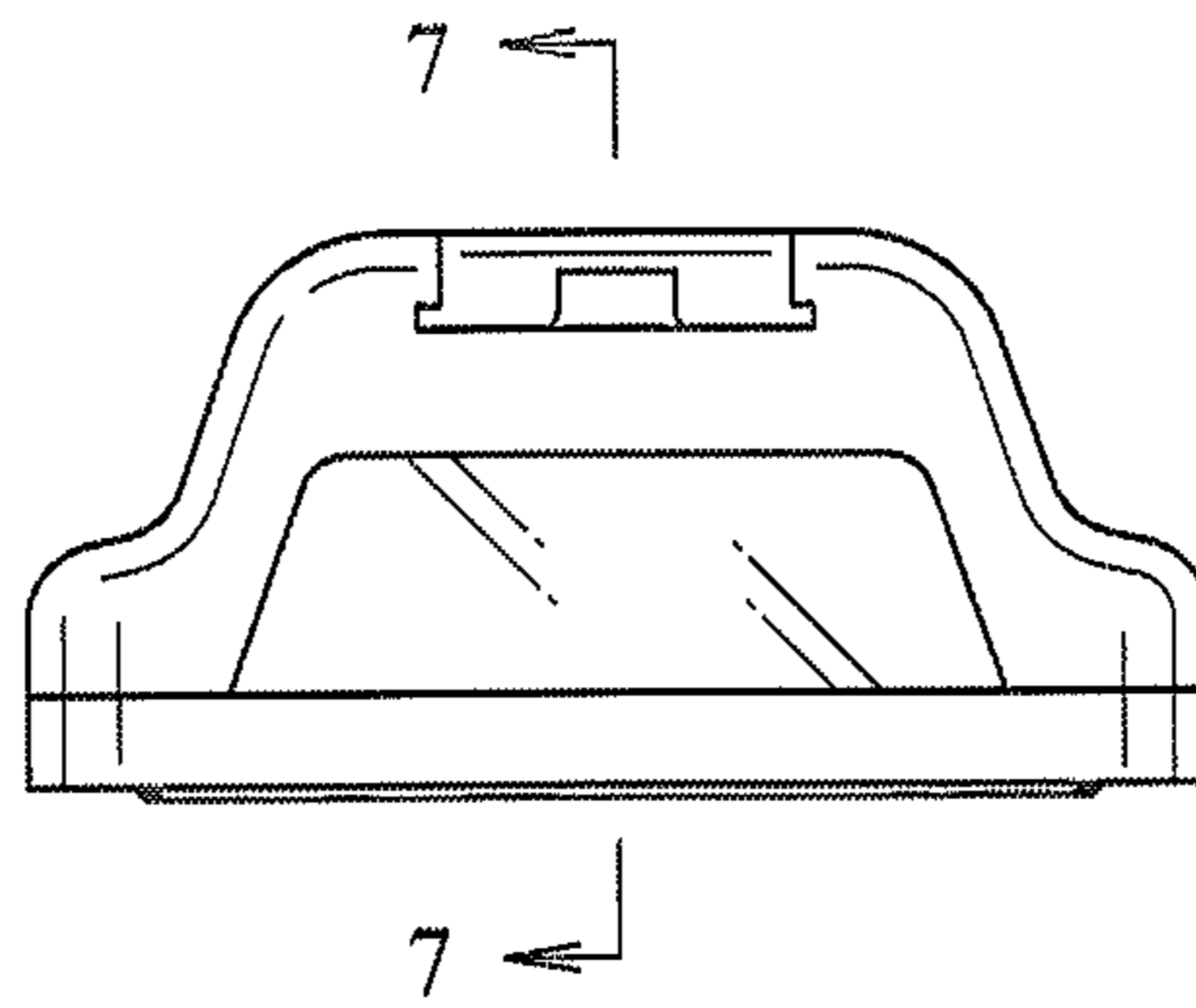


Fig. 6

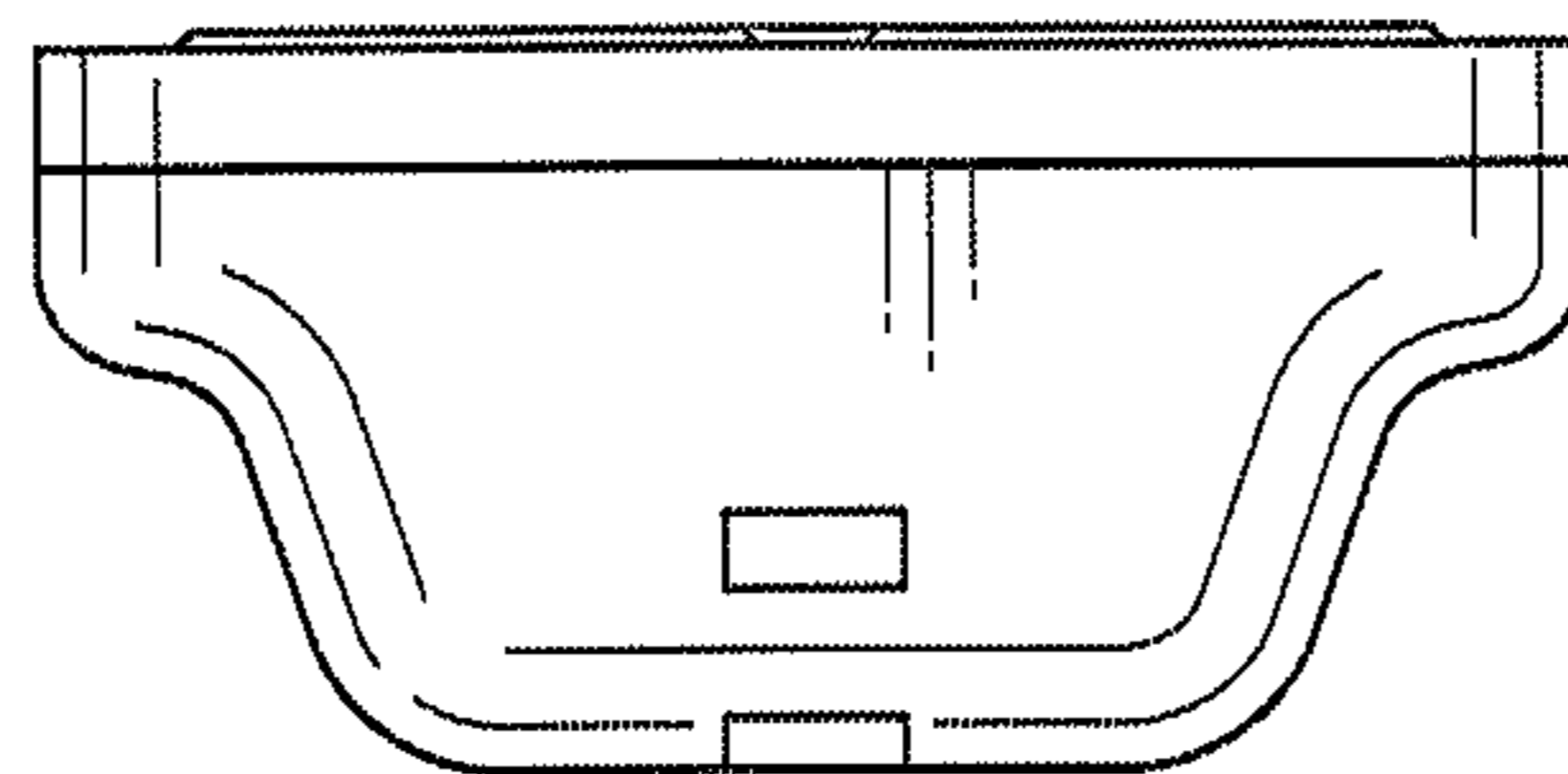


Fig. 7

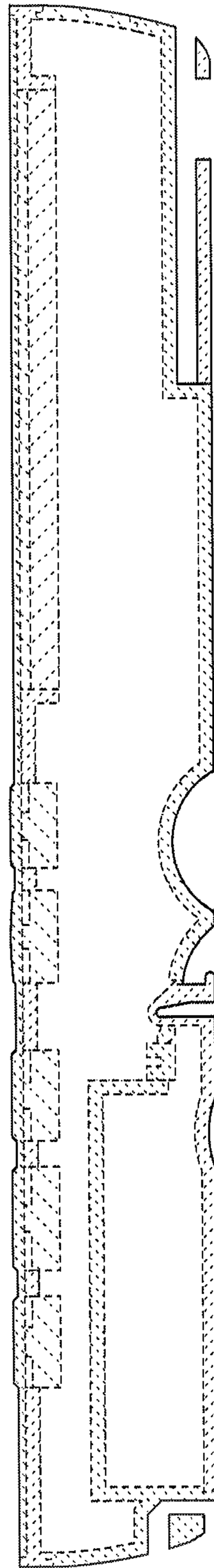


Fig. 8

