



US00D743909S

(12) **United States Design Patent**
Furst

(10) **Patent No.:** **US D743,909 S**

(45) **Date of Patent:** **** Nov. 24, 2015**

(54) **DECORATIVE CONDUCTIVE CORD**

(71) Applicant: **Craig Furst**, Los Angeles, CA (US)

(72) Inventor: **Craig Furst**, Los Angeles, CA (US)

(**) Term: **14 Years**

(21) Appl. No.: **29/476,940**

(22) Filed: **Dec. 18, 2013**

(51) **LOC (10) Cl.** **13-03**

(52) **U.S. Cl.**
USPC **D13/153**

(58) **Field of Classification Search**
USPC D13/153, 152, 137.1–137.4,
D13/138.1–138.2, 139.1–13.89; 439/490,
439/136, 509, 106, 135, 367; 174/34
CPC H01R 13/7175; H01R 31/08; H01R
13/6392; H01R 13/447; H01R 13/652
See application file for complete search history.

(56) **References Cited**

U.S. PATENT DOCUMENTS

| | | | | | |
|-----------|-----|---------|-----------------|-------|-----------|
| 5,007,857 | A * | 4/1991 | Wright | | 439/490 |
| D319,609 | S * | 9/1991 | Brown | | D13/137.4 |
| 5,397,243 | A * | 3/1995 | MacMurdo, Sr. | | 439/136 |
| 5,466,172 | A * | 11/1995 | Carstens et al. | | 439/509 |
| 5,622,509 | A * | 4/1997 | Smythe et al. | | 439/106 |
| D460,735 | S * | 7/2002 | Verfuert | | D13/137.4 |
| D466,867 | S * | 12/2002 | Krobusek | | D13/137.4 |

| | | | | | |
|--------------|------|---------|----------------|-------|-----------|
| 6,854,990 | B2 * | 2/2005 | Harrell | | 439/135 |
| 7,029,312 | B2 * | 4/2006 | Reid | | 439/367 |
| D591,680 | S * | 5/2009 | Ho'o et al. | | D13/138.2 |
| D604,245 | S * | 11/2009 | Reusche et al. | | D13/137.4 |
| D623,594 | S * | 9/2010 | Akana et al. | | D13/138.2 |
| D720,300 | S * | 12/2014 | Lee | | D13/153 |
| 2012/0103646 | A1 * | 5/2012 | Fox et al. | | 174/34 |

* cited by examiner

Primary Examiner — Holly Baynham

Assistant Examiner — Rhea Shields

(74) *Attorney, Agent, or Firm* — Foley & Lardner LLP

(57) **CLAIM**

The ornamental design for a decorative conductive cord, as shown and described.

DESCRIPTION

FIG. 1 is a perspective view of the first embodiment of the decorative conductive cord with light elements along its length;

FIG. 2 is a side view thereof;

FIG. 3 is an end view thereof;

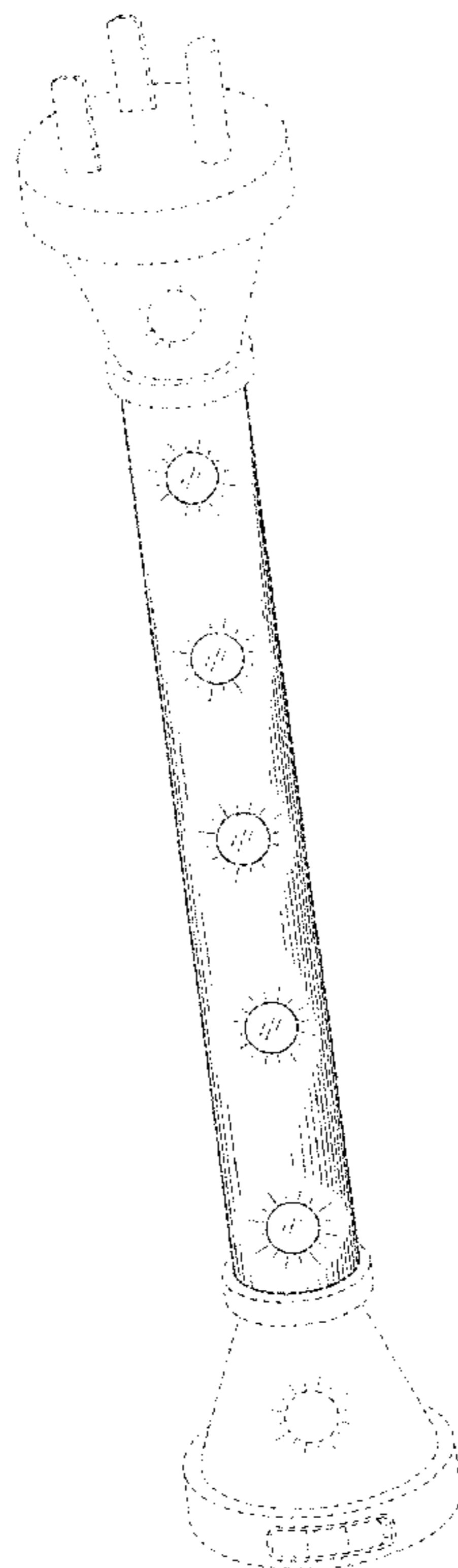
FIG. 4 is an end view thereof;

FIG. 5 is a perspective view of the second embodiment of the decorative conductive cord with light elements along its length; and,

FIG. 6 is a side view thereof.

The ornamental design which is claimed is shown in solid lines in the drawings. In the drawings, the broken lines are for the purpose of illustrating environment only and form no part of the claimed design.

1 Claim, 3 Drawing Sheets



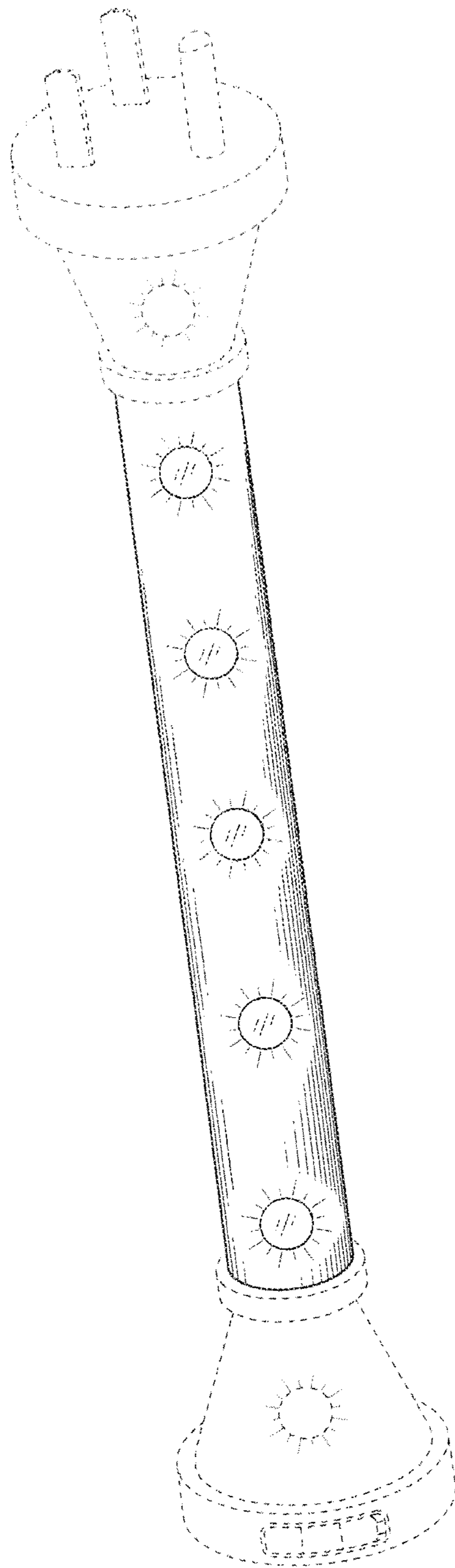


FIG. 1

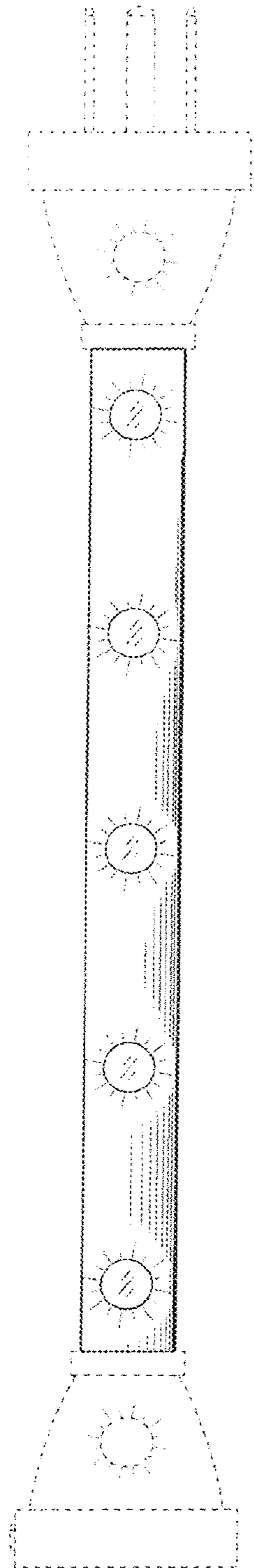


FIG. 2

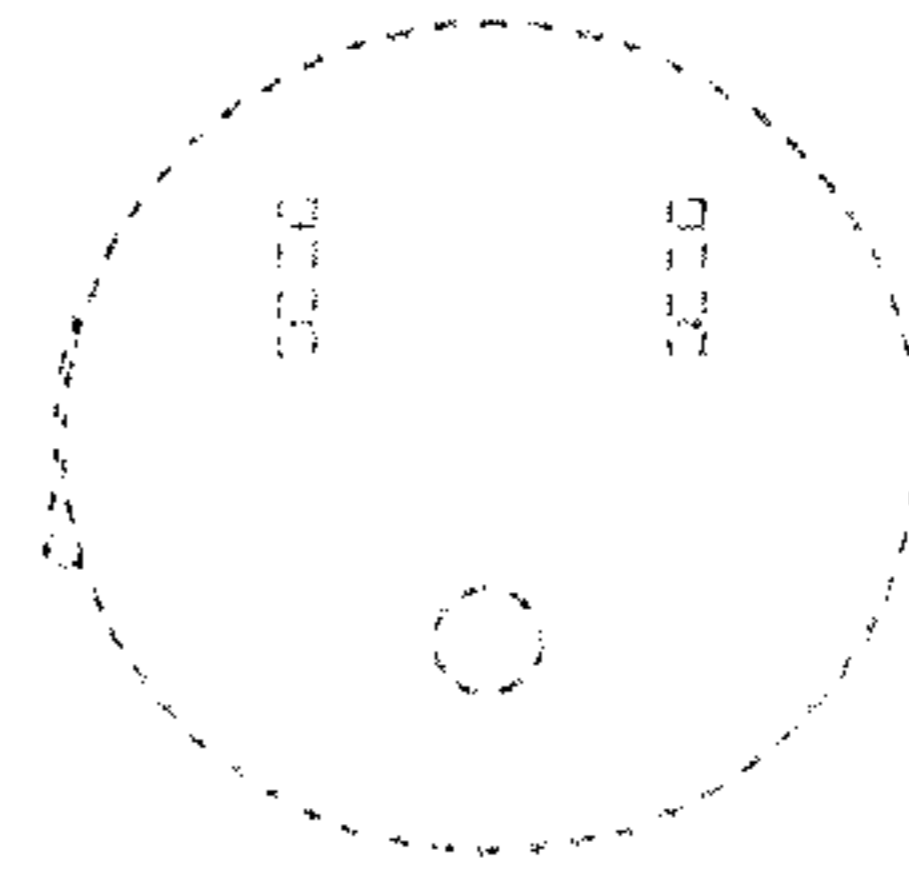


FIG. 3

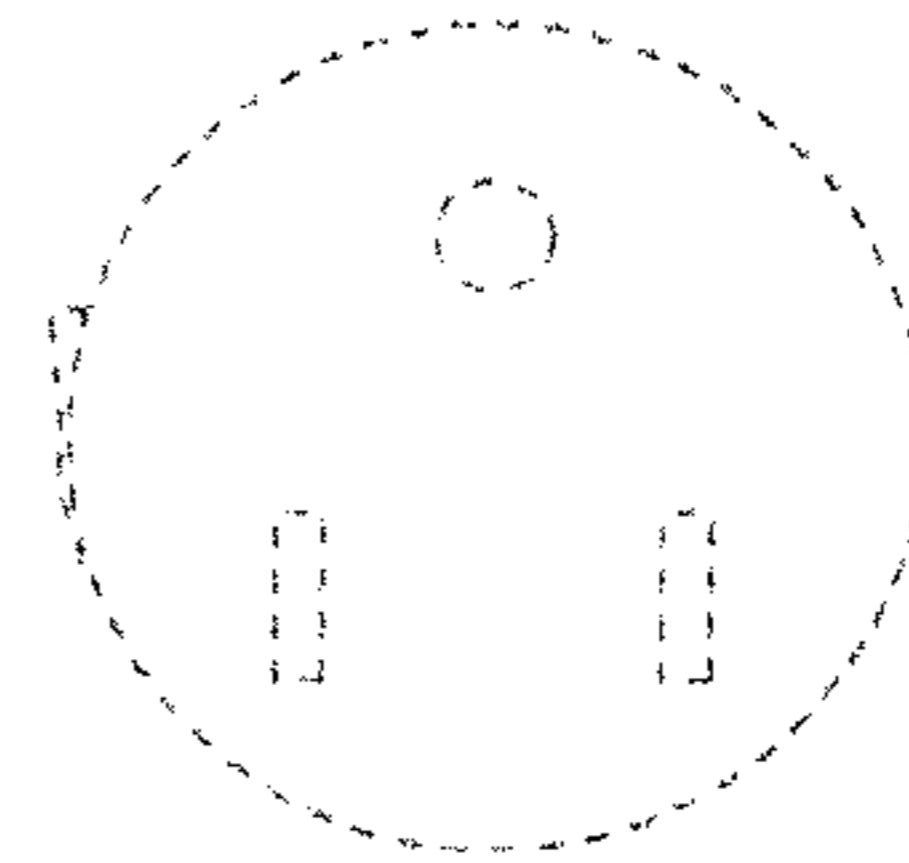


FIG. 4

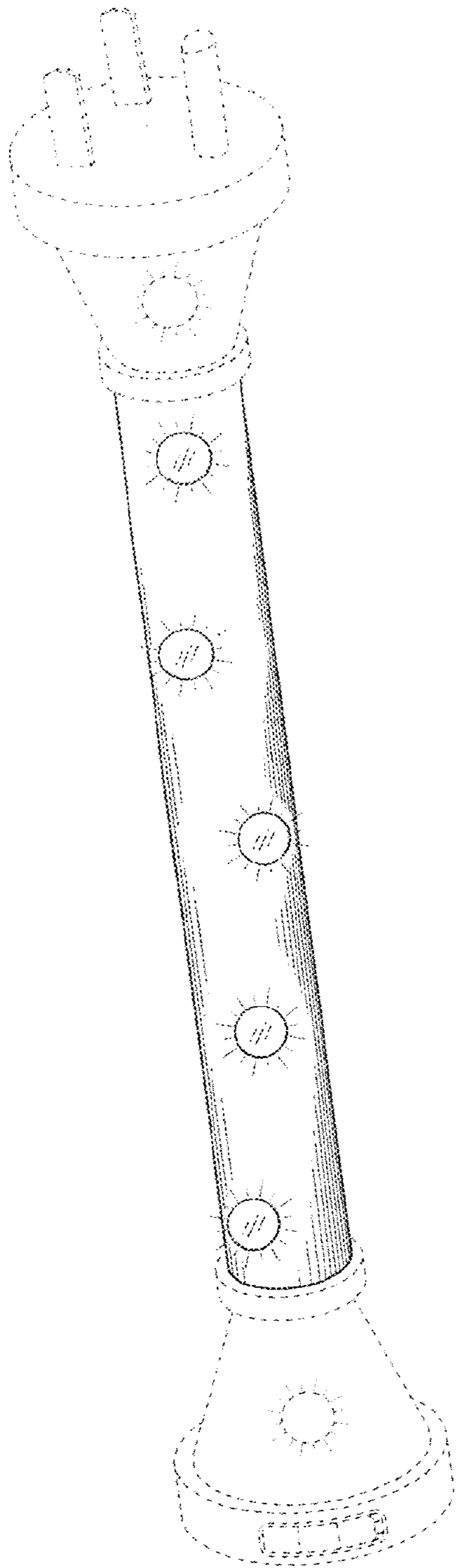


FIG. 5

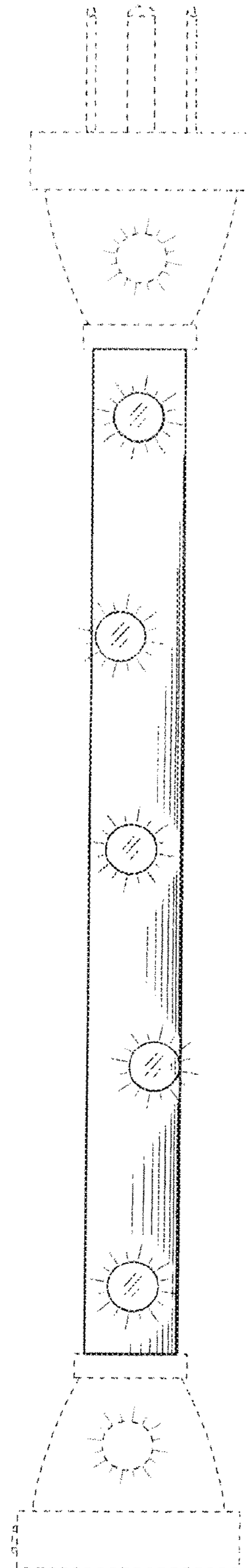


FIG. 6