



US00D743908S

(12) **United States Design Patent**
Koberg et al.

(10) **Patent No.:** **US D743,908 S**
(45) **Date of Patent:** **** Nov. 24, 2015**

- (54) **PORTABLE POWER DISTRIBUTION BOX**
- (71) Applicant: **Trystar, Inc.**, Faribault, MN (US)
- (72) Inventors: **James Jerome Koberg**, Morristown, MN (US); **Richard Allen Koble**, North Mankato, MN (US); **Christopher Alan Dahl**, Prior Lake, MN (US)
- (73) Assignee: **Trystar, Inc.**, Faribault, MN (US)
- (**) Term: **14 Years**
- (21) Appl. No.: **29/510,807**
- (22) Filed: **Dec. 3, 2014**
- (51) **LOC (10) Cl.** **13-03**
- (52) **U.S. Cl.**
USPC **D13/152**
- (58) **Field of Classification Search**
USPC D13/152, 184, 147, 156, 177, 119;
174/50; 220/328, 325; 403/408.1
CPC H02G 3/088; F16J 13/06; F16J 13/10;
F16B 5/02
See application file for complete search history.

4,869,380 A	9/1989	Metcalfé et al.	
4,884,715 A	12/1989	Pohlmann	
4,997,240 A	3/1991	Schmalzl et al.	
5,070,429 A	12/1991	Skirpan	
D323,809 S	2/1992	Ross, Jr.	
5,202,538 A	4/1993	Skirpan	
D340,040 S	10/1993	Gifford et al.	
5,361,925 A *	11/1994	Wecke et al.	220/325
5,470,139 A	11/1995	Hsiao	
5,544,003 A	8/1996	Vaughan	
D422,266 S *	4/2000	Roesch	D13/152
D422,565 S *	4/2000	Kim, II	D13/152
D423,461 S *	4/2000	Layton, Jr.	D13/152
D424,523 S *	5/2000	Hughes	D13/147
6,062,664 A	5/2000	Benner	
D462,329 S *	9/2002	Hughes et al.	D13/152
D498,211 S	11/2004	Thibault	
D499,070 S *	11/2004	Lavington	D13/119
6,832,580 B2	12/2004	Marchioro	
D503,377 S	3/2005	Krieger et al.	

(Continued)

Primary Examiner — Holly Baynham
Assistant Examiner — Rhea Shields
(74) *Attorney, Agent, or Firm* — Fredrikson & Byron, P.A.

(57) **CLAIM**
We claim the ornamental design for portable power distribution box, as shown and described.

DESCRIPTION

FIG. 1 is a perspective view of our new design for a portable power distribution box;
FIG. 2 is a front view thereof;
FIG. 3 is a rear view thereof;
FIG. 4 is a top view thereof;
FIG. 5 is bottom view thereof;
FIG. 6 is a right side view thereof; and,
FIG. 7 is a left side view thereof.
In the drawings, the broken lines are for the purpose of illustrating environment only and form no part of the claimed design.

1 Claim, 7 Drawing Sheets

(56) **References Cited**
U.S. PATENT DOCUMENTS

936,541 A	10/1909	Havebthili	
2,956,705 A	10/1960	Clingman	
3,380,768 A	4/1968	Wolfensberger	
3,480,311 A *	11/1969	Lanham, Jr.	403/408.1
3,751,127 A	8/1973	Black et al.	
3,901,571 A	8/1975	Begitschke et al.	
3,955,702 A	5/1976	Lundy	
4,115,655 A	9/1978	Prentice	
4,123,129 A	10/1978	Butler	
4,126,364 A	11/1978	Reilly	
4,322,572 A	3/1982	Snyder	
4,637,324 A	1/1987	Janson	
4,768,845 A	9/1988	Yeh	
4,846,078 A	7/1989	Janson	

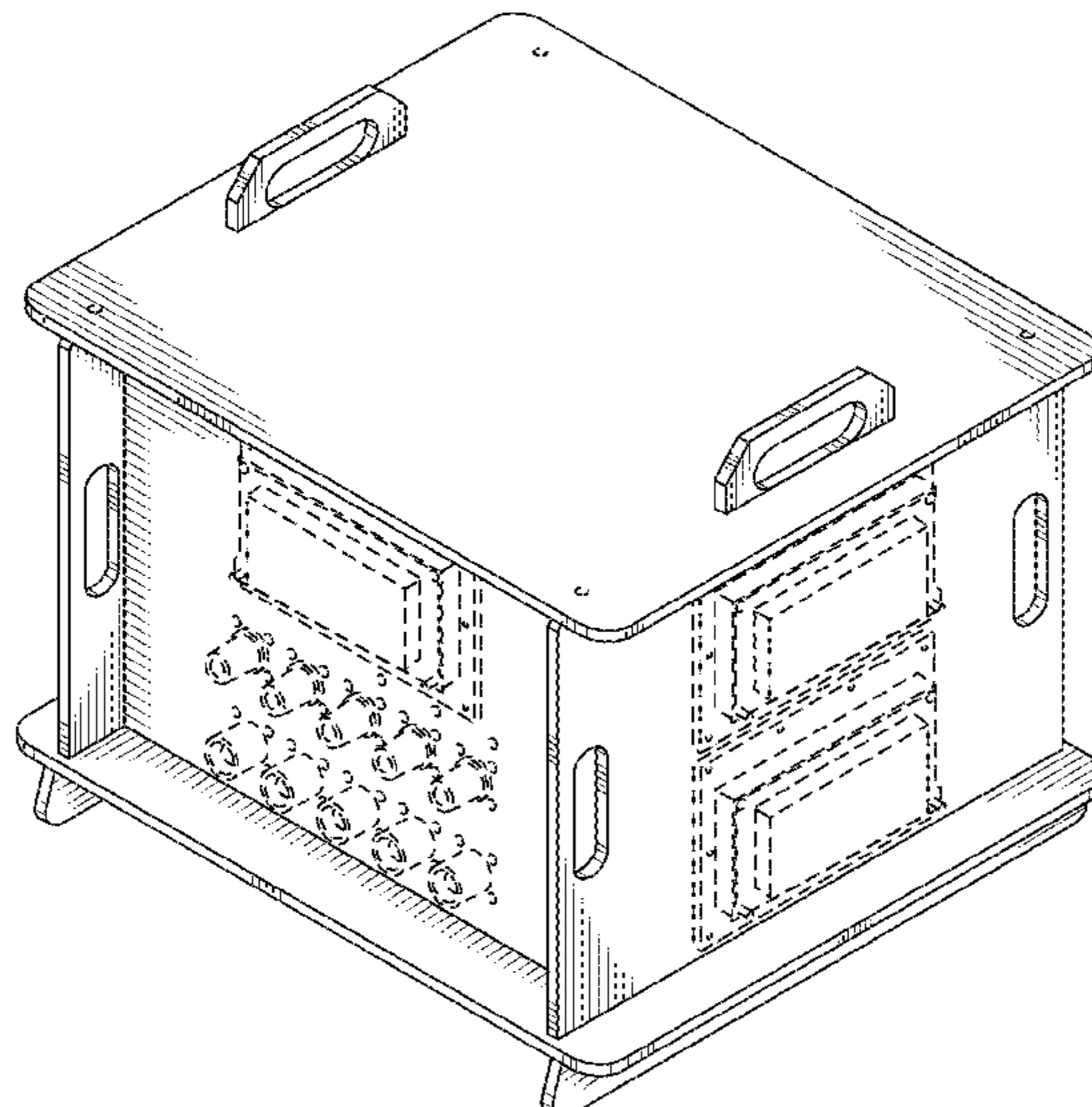


Fig. 1

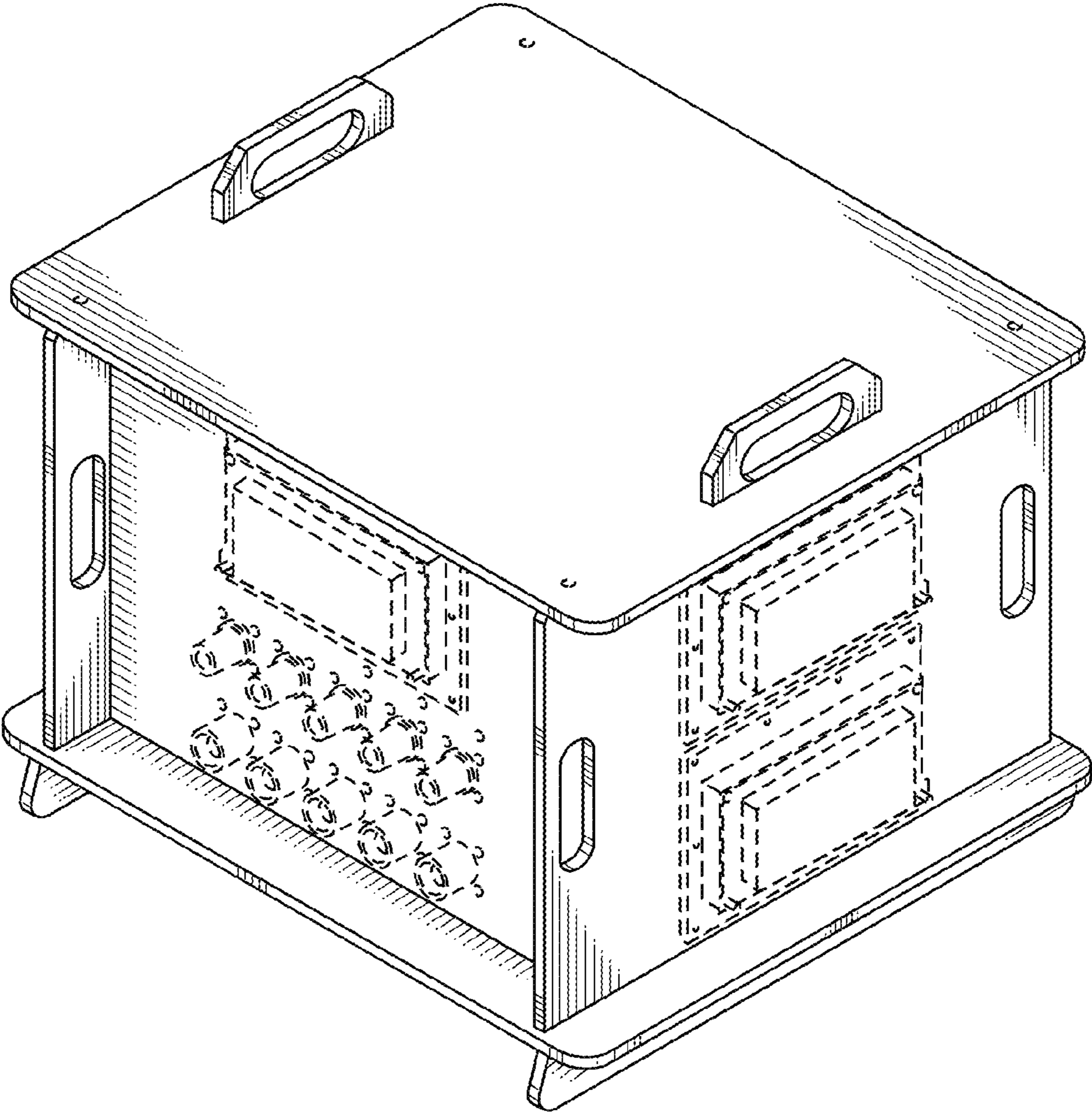


Fig. 2

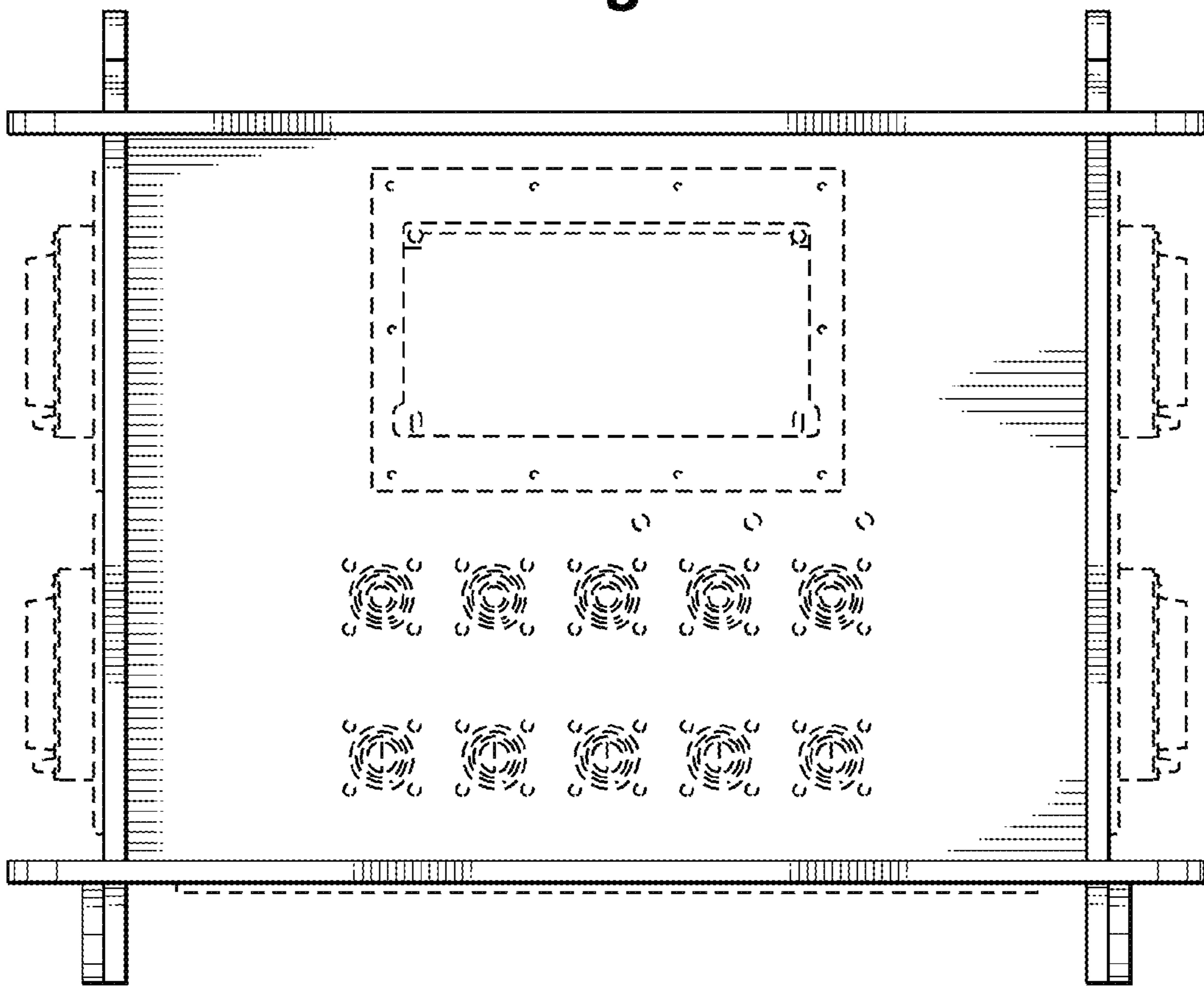


Fig. 3

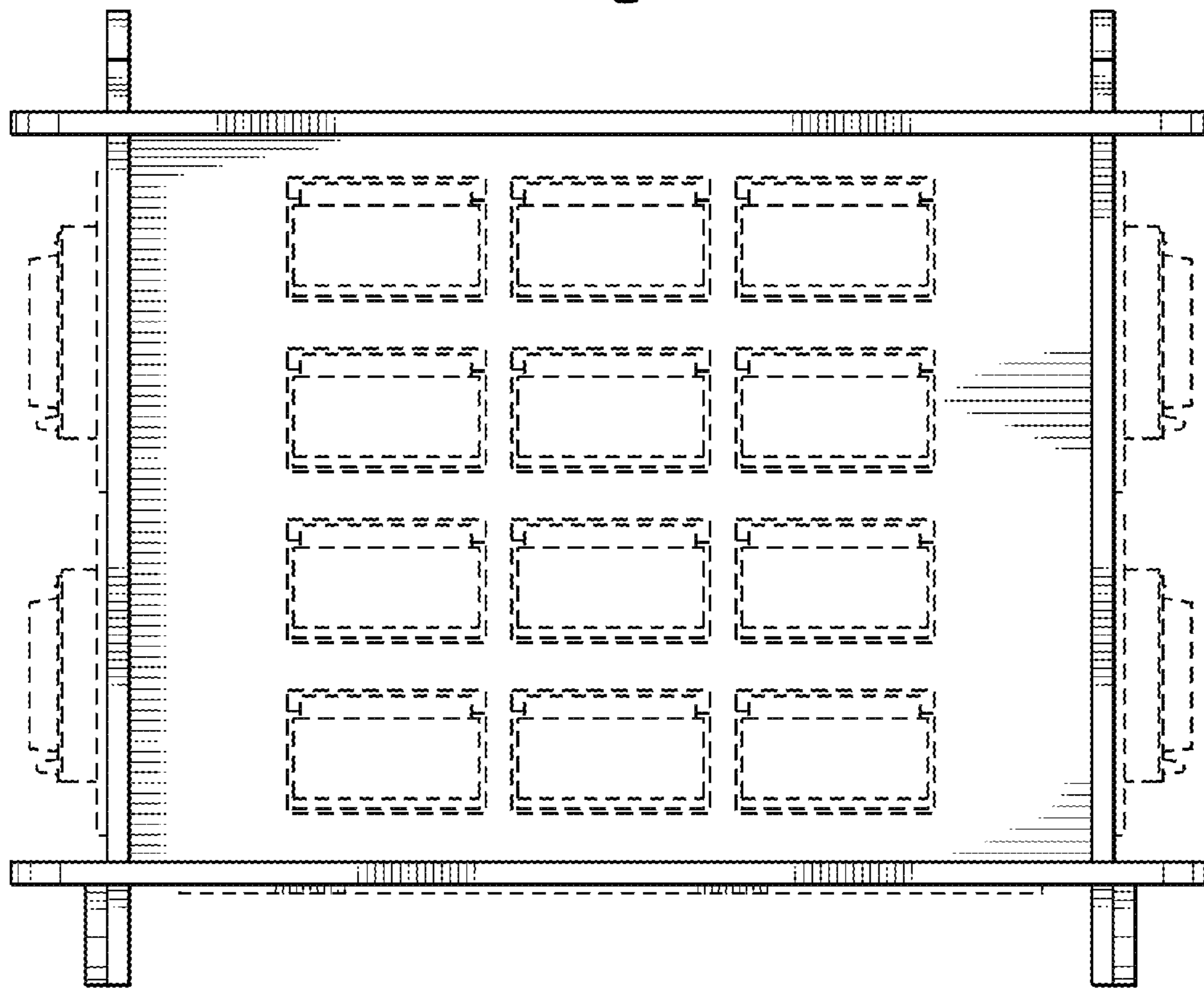


Fig. 4

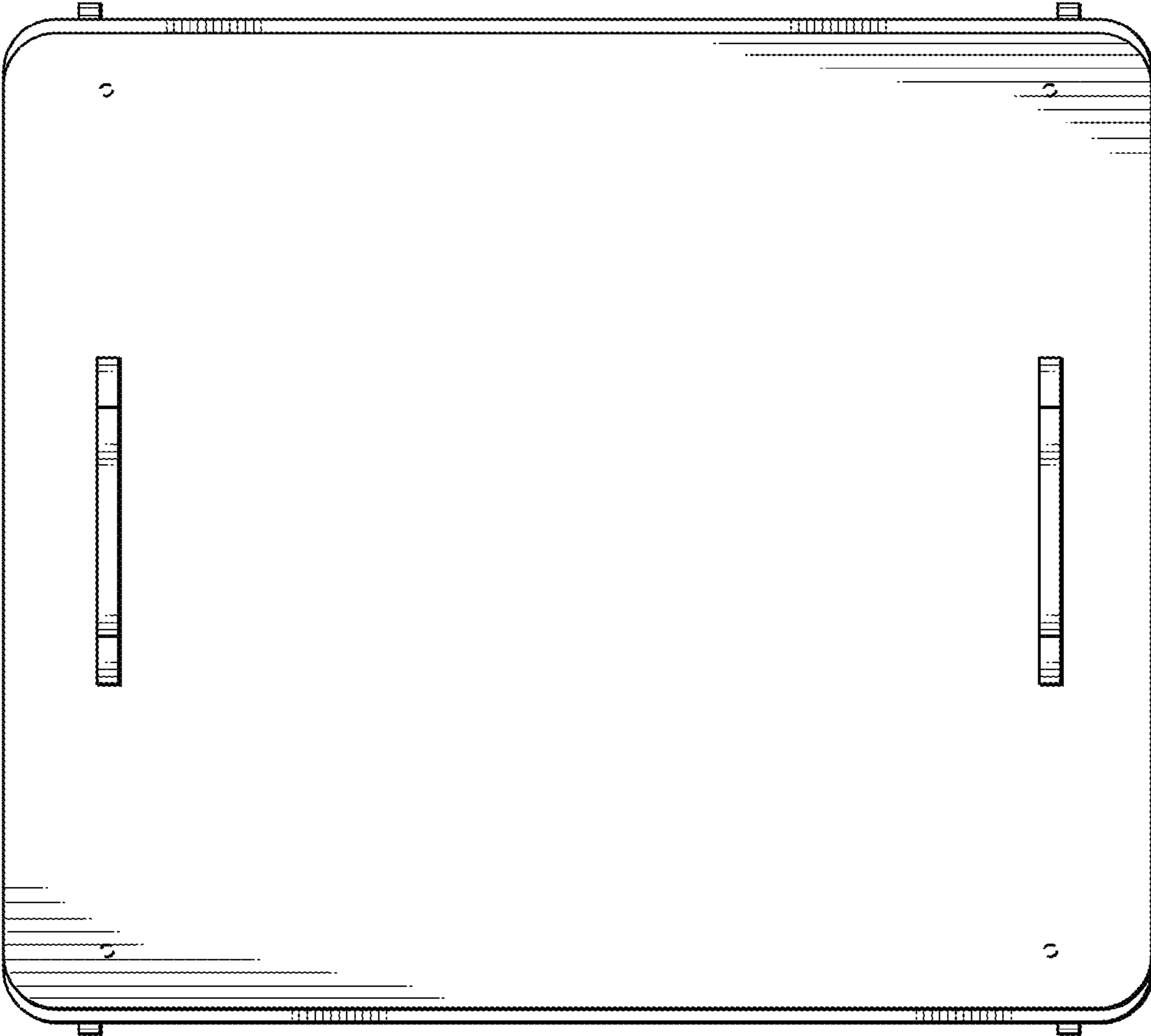


Fig. 5

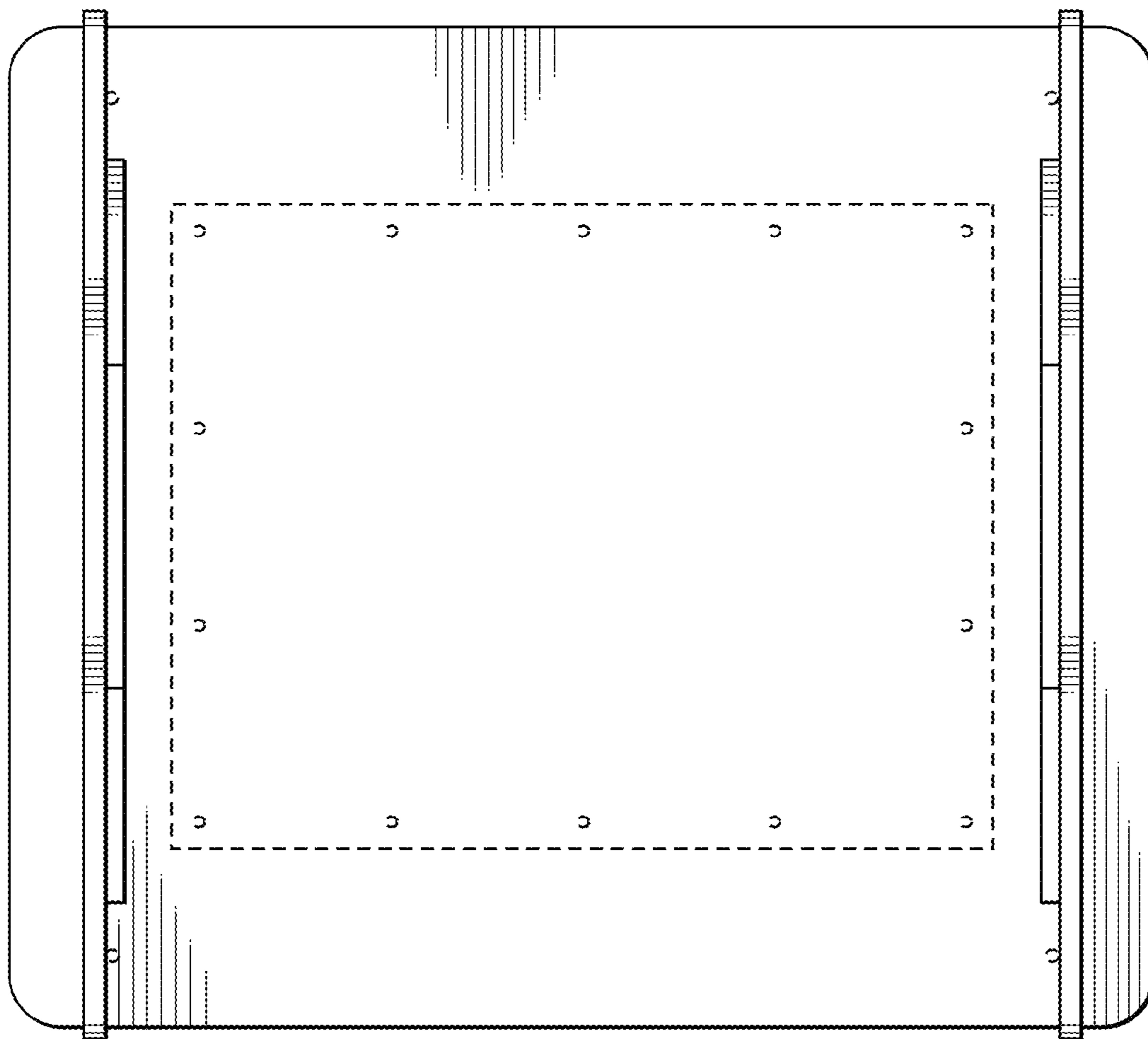


Fig. 6

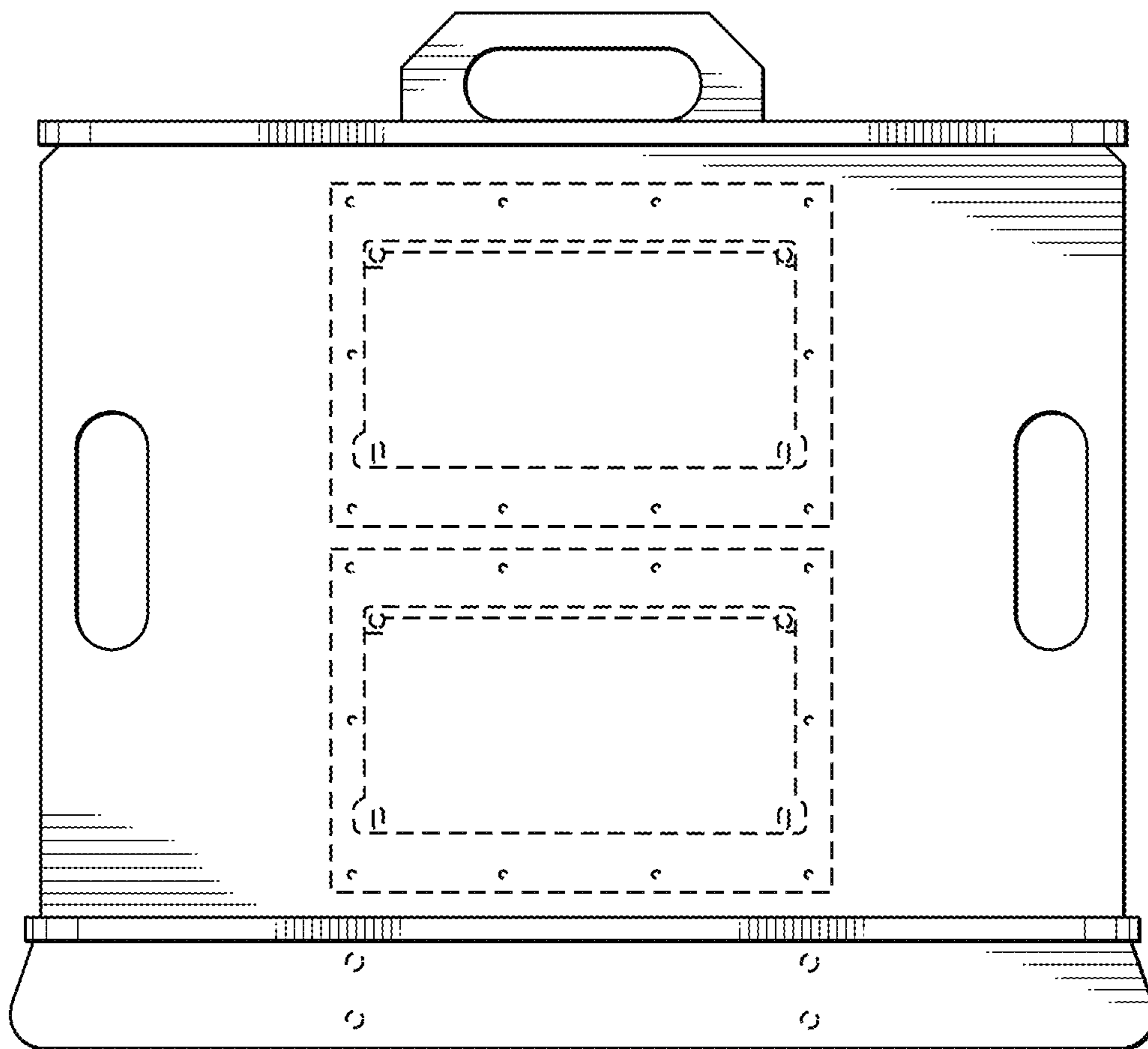


Fig. 7

