



US00D743907S

(12) **United States Design Patent**
Teranishi et al.

(10) **Patent No.:** **US D743,907 S**

(45) **Date of Patent:** **** Nov. 24, 2015**

(54) **ELECTRIC CONNECTOR**

(71) Applicant: **OMRON Corporation**, Kyoto-shi,
Kyoto (JP)

(72) Inventors: **Hirotda Teranishi**, Osaka (JP);
Takahiro Sakai, Moriyama (JP)

(73) Assignee: **OMRON Corporation**, Kyoto (JP)

(**) Term: **14 Years**

(21) Appl. No.: **29/514,986**

(22) Filed: **Jan. 19, 2015**

Related U.S. Application Data

(62) Division of application No. 29/458,848, filed on Jun.
24, 2013, now Pat. No. Des. 731,436.

(30) **Foreign Application Priority Data**

Dec. 25, 2012 (JP) 2012-31442
Dec. 25, 2012 (JP) 2012-31443
Dec. 25, 2012 (JP) 2012-31444
Dec. 25, 2012 (JP) 2012-31445

(51) **LOC (10) Cl.** **13-03**

(52) **U.S. Cl.**
USPC **D13/147**

(58) **Field of Classification Search**
USPC D13/147, 154, 184, 199
See application file for complete search history.

(56) **References Cited**

U.S. PATENT DOCUMENTS

D486,448 S 2/2004 Watanabe et al.
D529,443 S 10/2006 Chien
D538,228 S 3/2007 Wang et al.

D558,671 S 1/2008 Chen
D559,181 S * 1/2008 Yan D13/120
D561,098 S 2/2008 Kobayashi
D562,251 S 2/2008 Ma et al.
D563,322 S 3/2008 Ma
D596,129 S 7/2009 Huang et al.
D606,020 S * 12/2009 Yang et al. D13/120
D609,641 S * 2/2010 Huang et al. D13/120
2012/0171905 A1 7/2012 Koyama et al.
2014/0038469 A1 2/2014 Sakai et al.

OTHER PUBLICATIONS

Notice of Allowance dated Jul. 1, 2015 issued in related U.S. Appl.
No. 29/514,982.

* cited by examiner

Primary Examiner — Daniel Bui

(74) *Attorney, Agent, or Firm* — Harness, Dickey & Pierce,
P.L.C.

(57) **CLAIM**

The ornamental design for an electric connector, as shown
and described.

DESCRIPTION

FIG. 1 is a top, front and right side perspective view of an
electric connector showing our new design;
FIG. 2 is a bottom, rear and right side perspective view
thereof;
FIG. 3 is a front elevational view thereof;
FIG. 4 is a rear elevational view thereof;
FIG. 5 is a left side view thereof;
FIG. 6 is a right side view thereof;
FIG. 7 is a top plan view thereof; and,
FIG. 8 is a bottom plan view thereof.

1 Claim, 5 Drawing Sheets

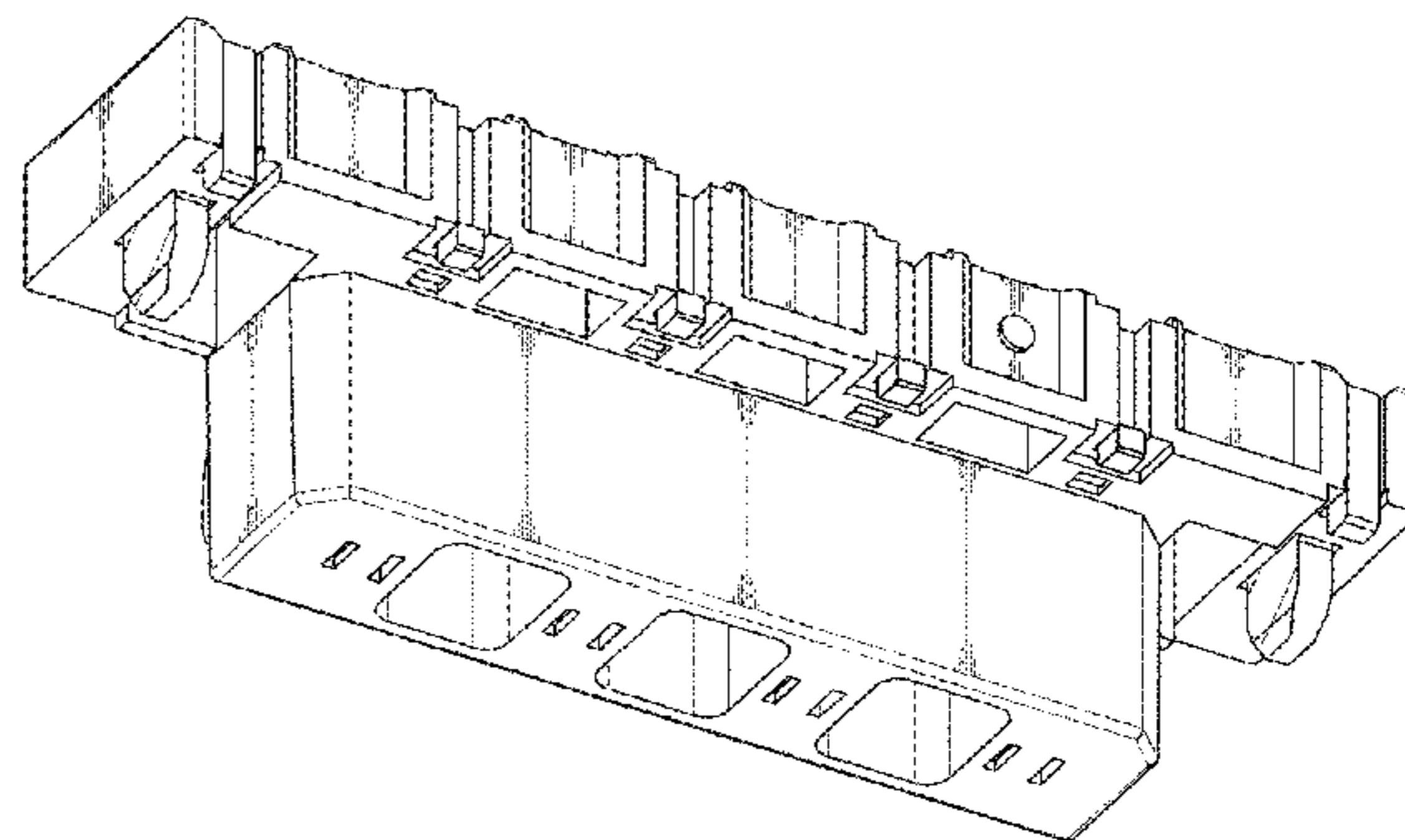
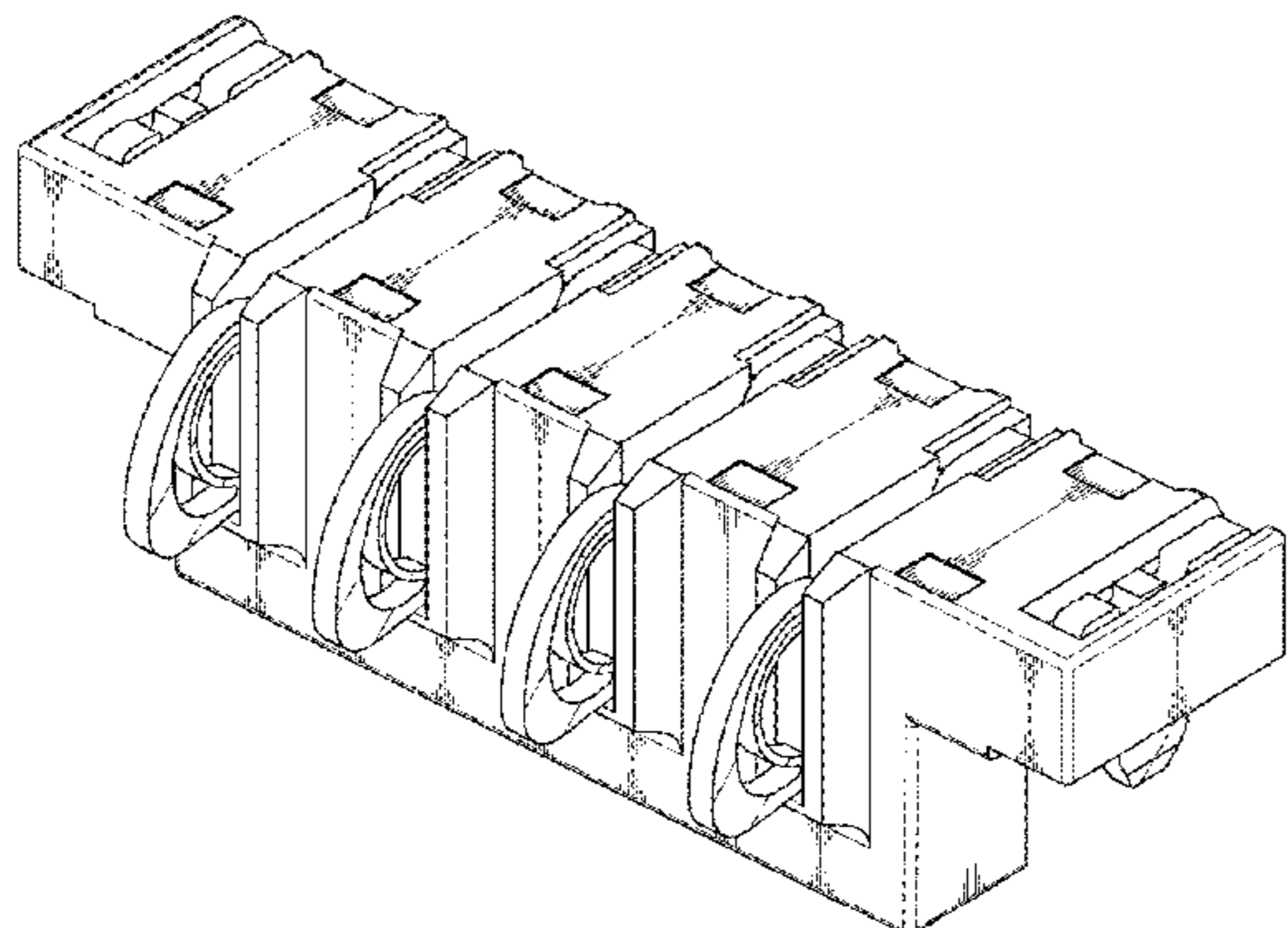


Fig. 1

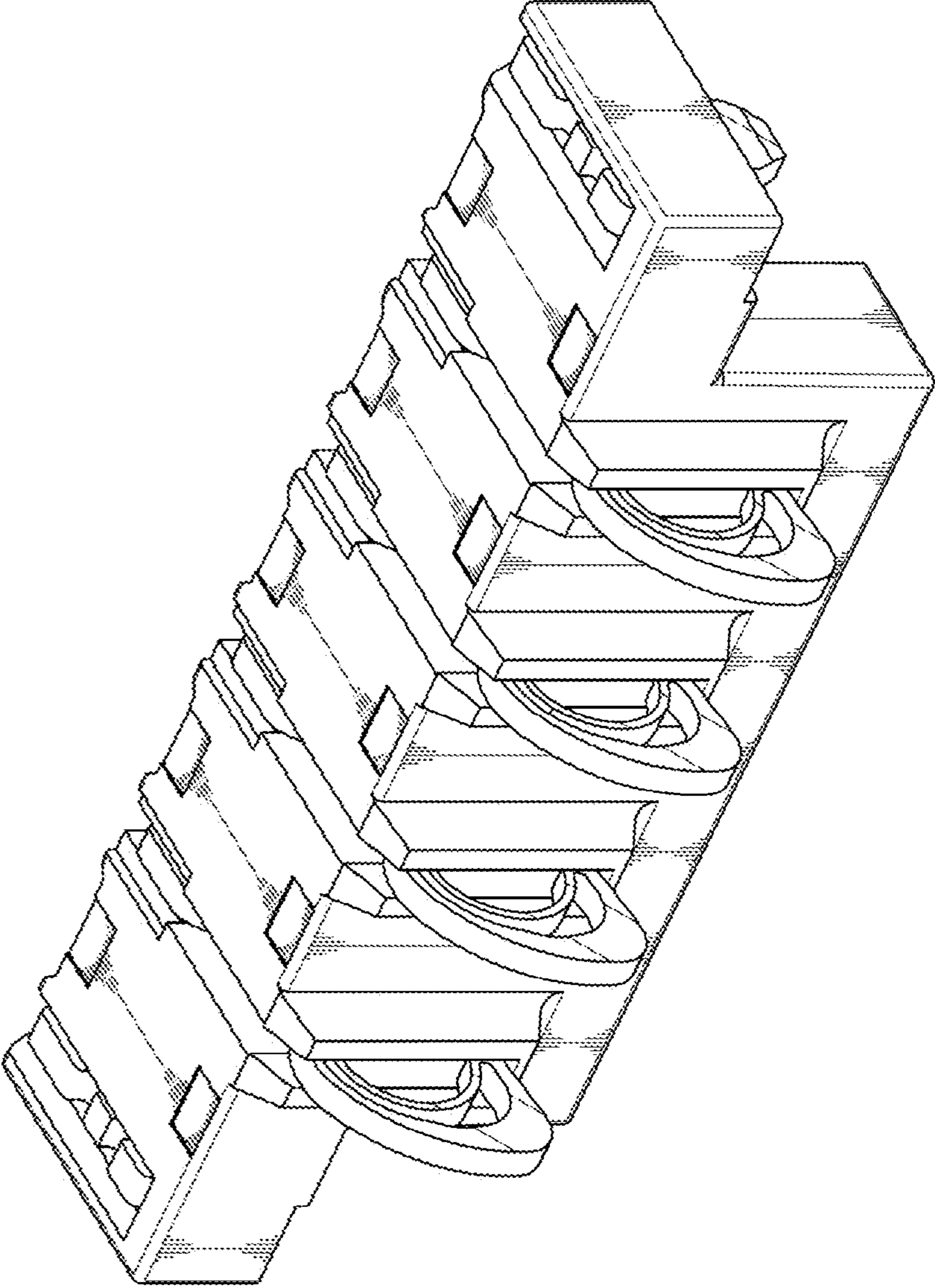
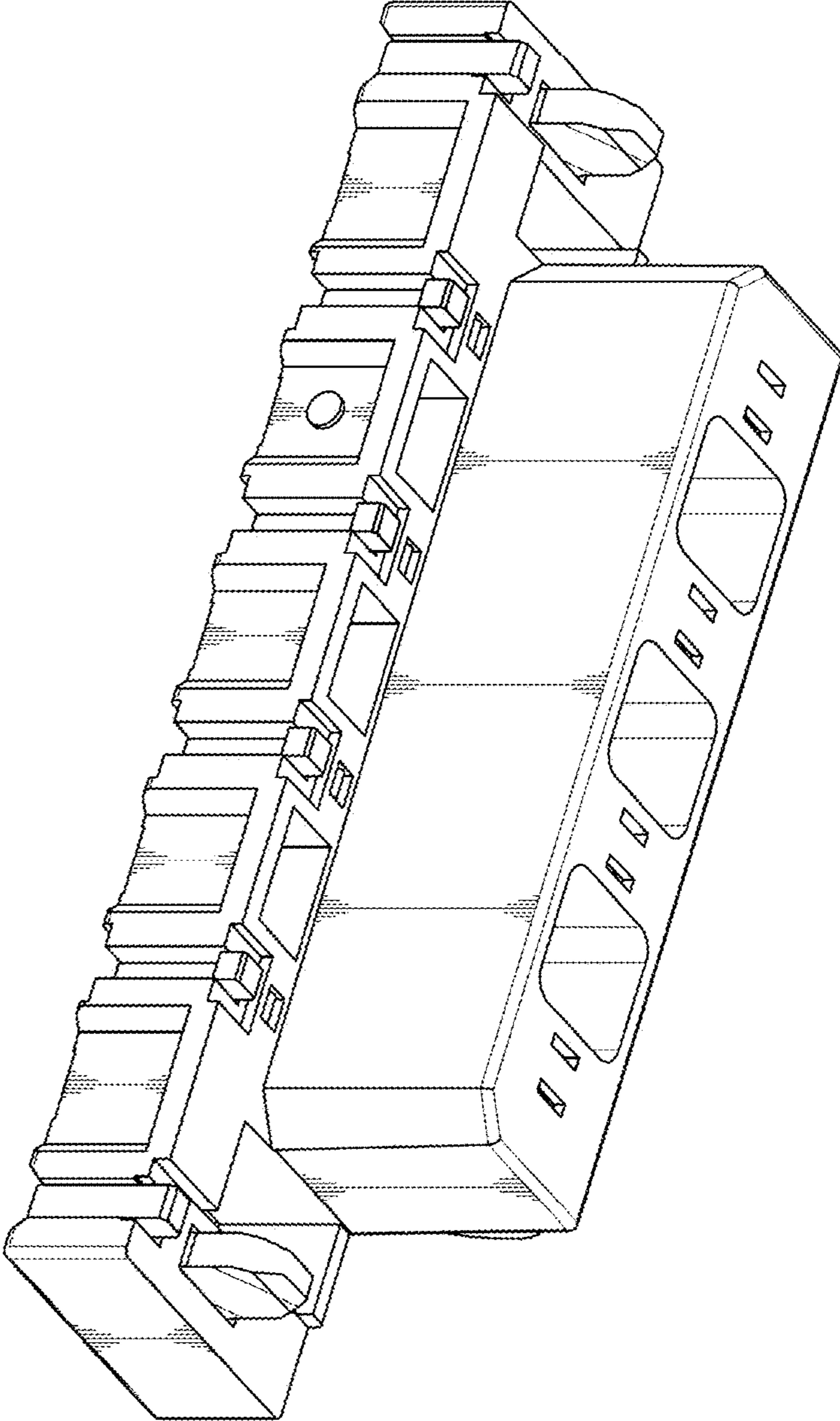


Fig. 2



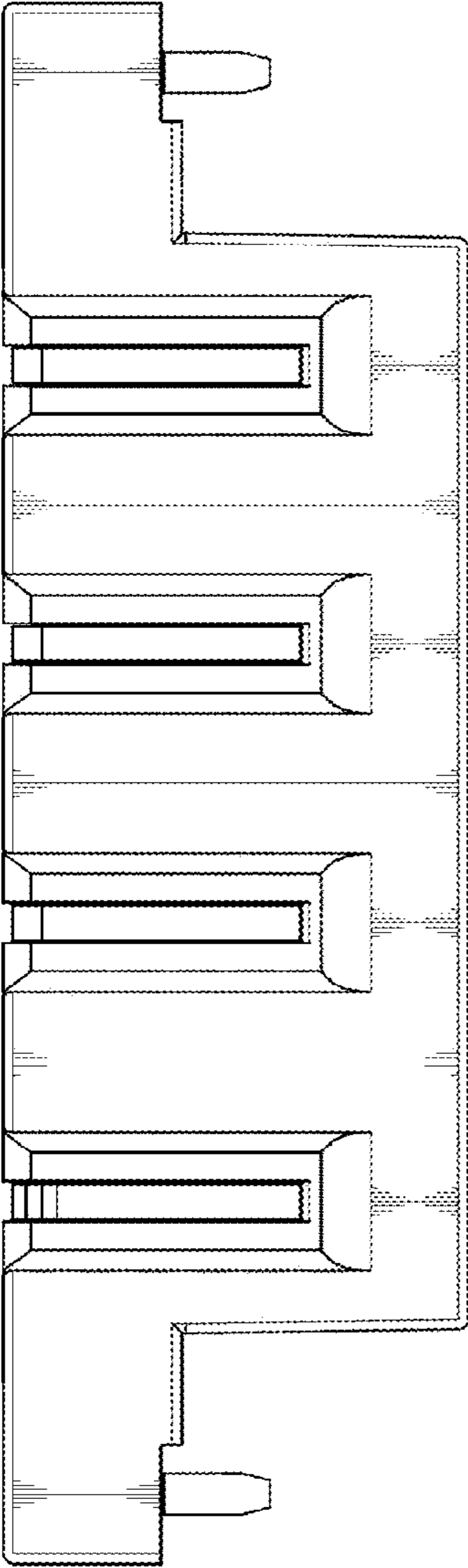


Fig. 3

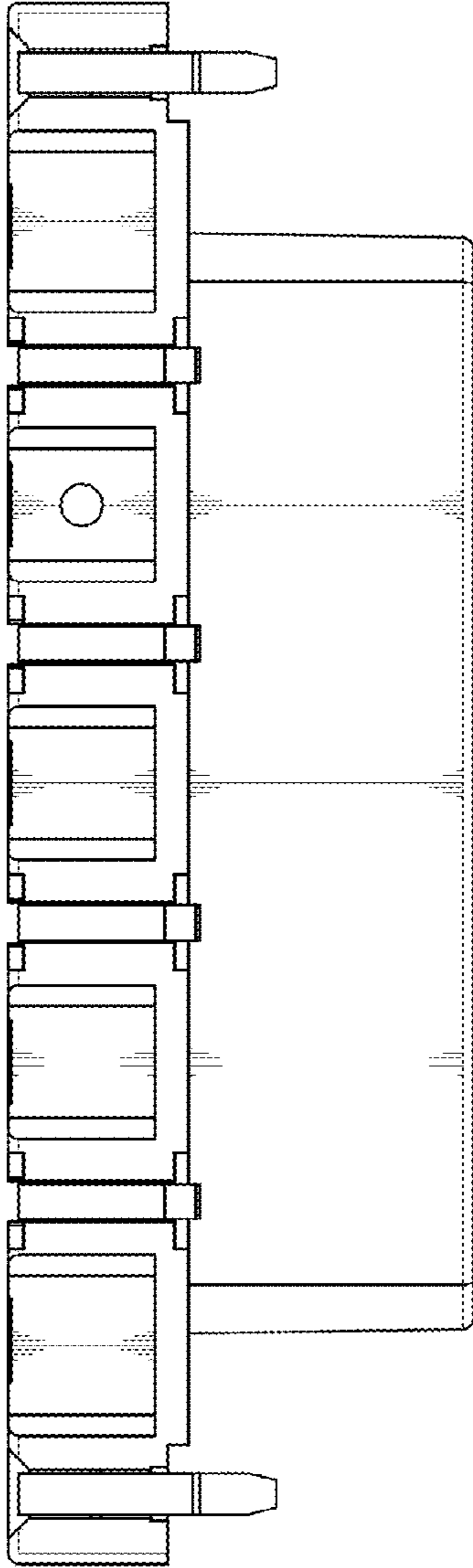


Fig. 4

Fig. 6

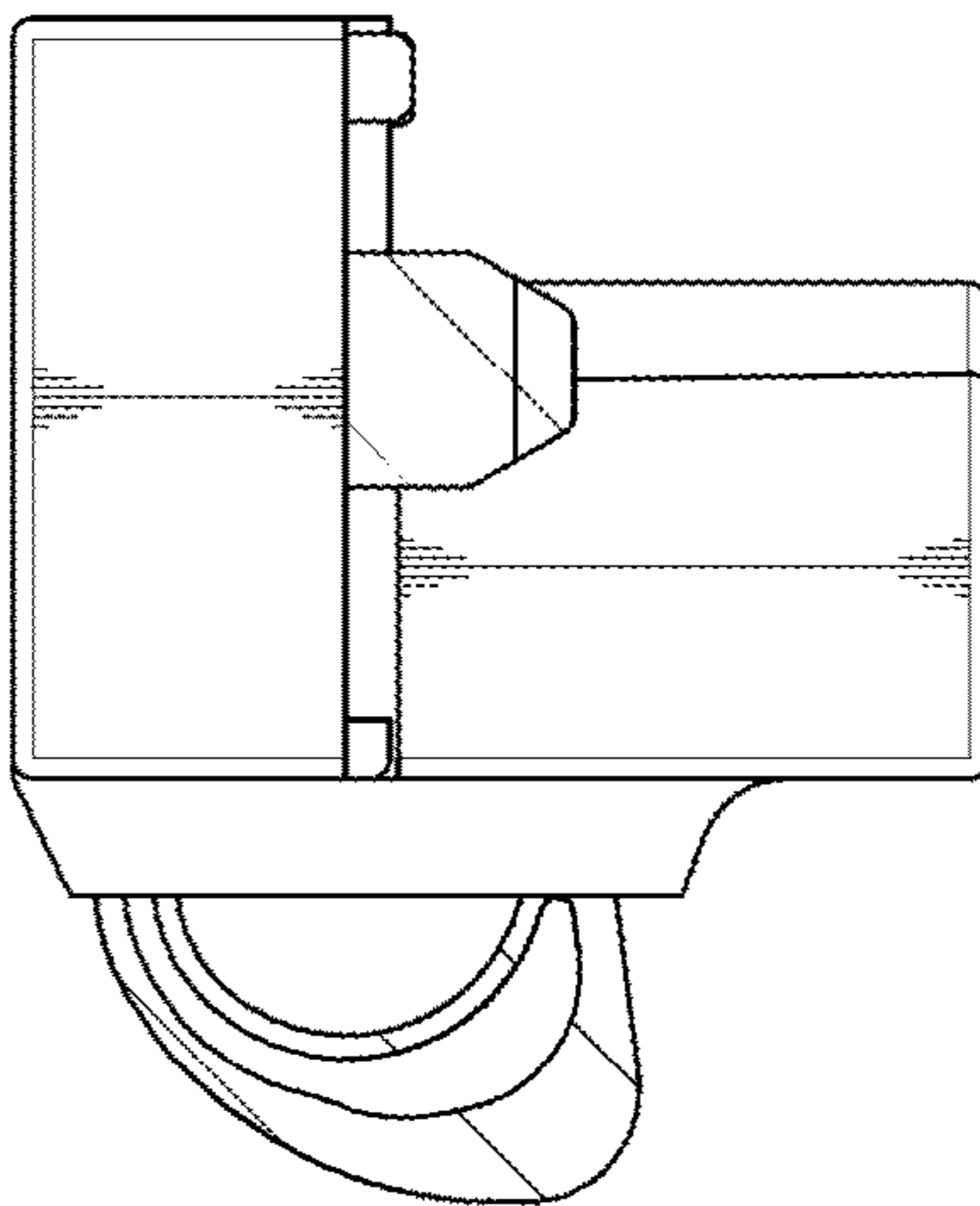
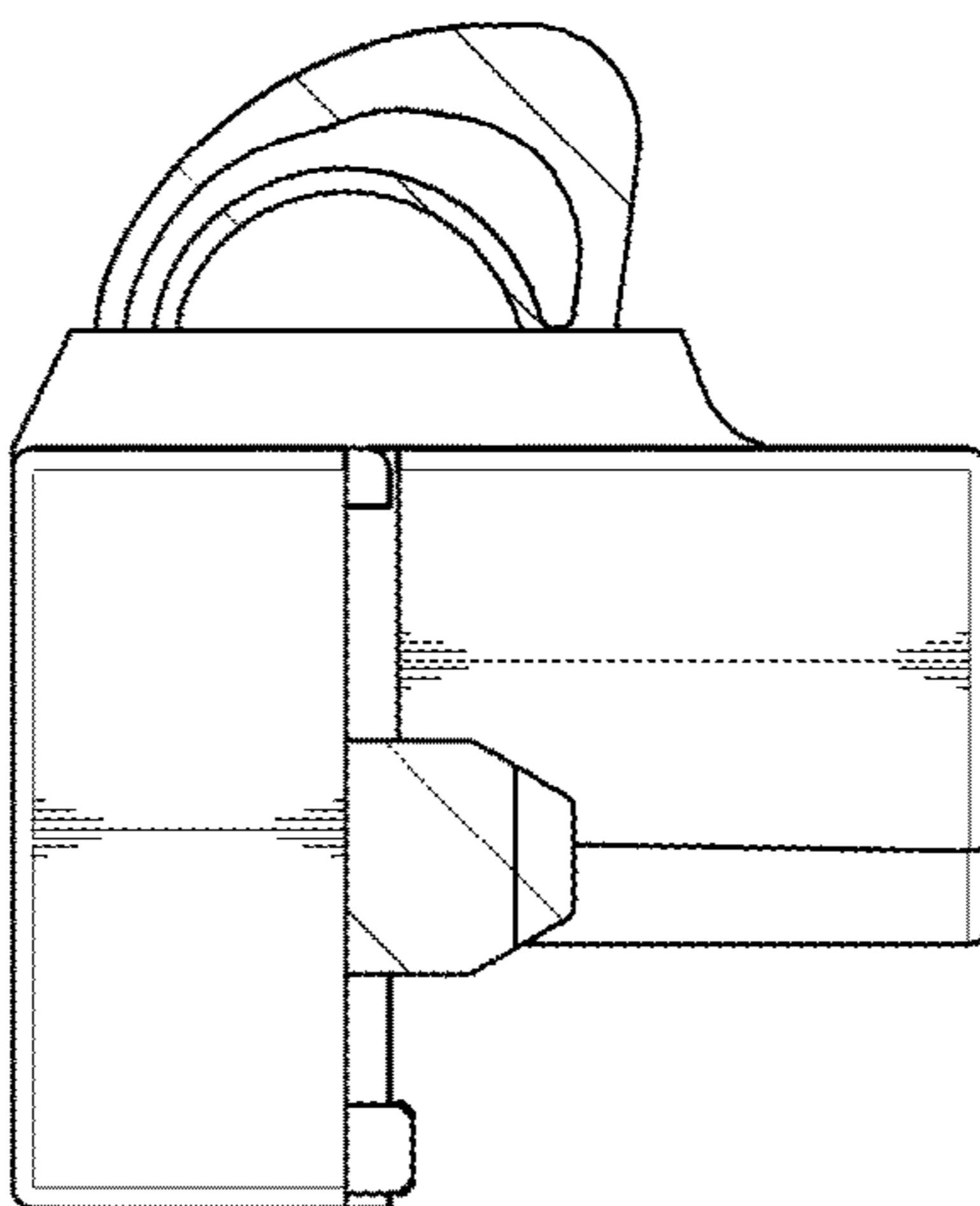


Fig. 5



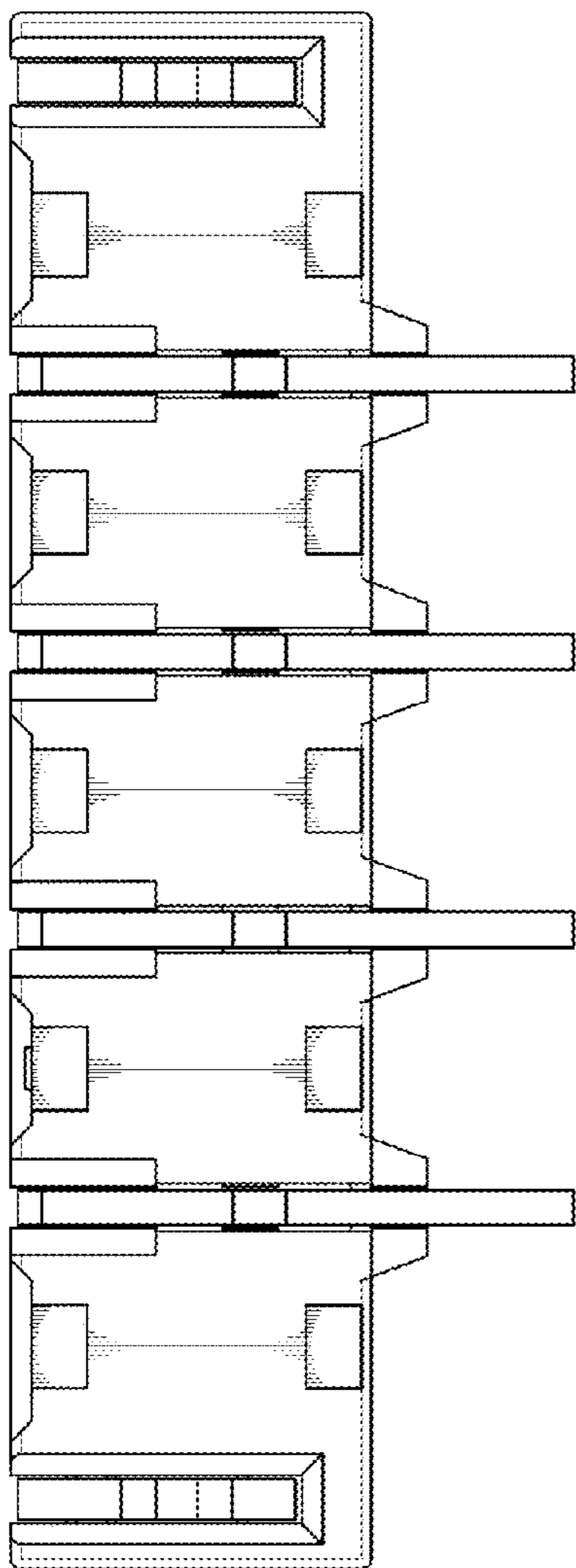


Fig. 7

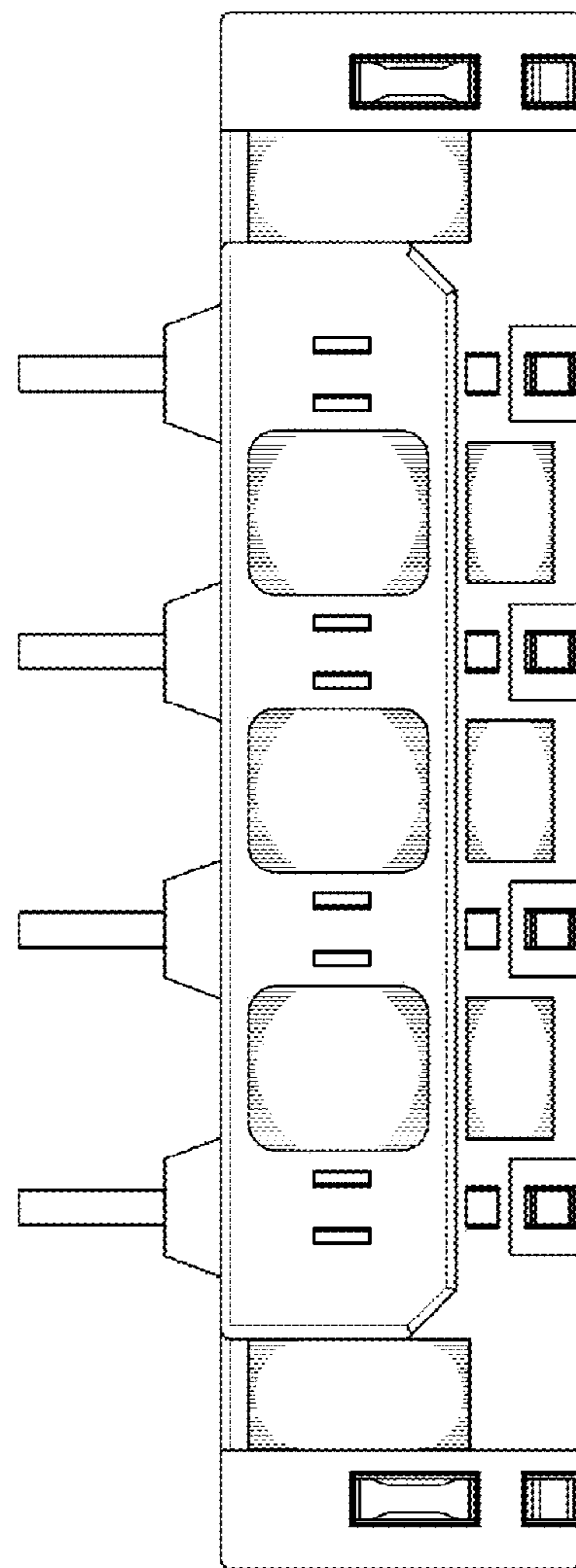


Fig. 8