



US00D743906S

(12) **United States Design Patent**  
**Sasano**

(10) **Patent No.:** **US D743,906 S**

(45) **Date of Patent:** **\*\* Nov. 24, 2015**

(54) **ELECTRIC CONNECTOR**

(71) Applicant: **OMRON Corporation**, Kyoto-shi,  
Kyoto (JP)

(72) Inventor: **Naoya Sasano**, Hachioji (JP)

(73) Assignee: **OMRON Corporation**, Kyoto (JP)

(\*\*) Term: **14 Years**

(21) Appl. No.: **29/514,467**

(22) Filed: **Jan. 13, 2015**

D580,371 S	11/2008	Farahani	
D580,876 S	11/2008	Farahani	
D580,877 S	11/2008	Farahani	
D599,741 S	9/2009	Meldert et al.	
D730,839 S *	6/2015	Sasano	..... D13/147
2014/0141634 A1	5/2014	Sasano et al.	

\* cited by examiner

*Primary Examiner* — Daniel Bui

(74) *Attorney, Agent, or Firm* — Harness, Dickey & Pierce,  
P.L.C.

(57) **CLAIM**

The ornamental design for an electric connector, as shown  
and described.

**Related U.S. Application Data**

(62) Division of application No. 29/454,066, filed on May  
6, 2013, now Pat. No. Des. 730,839.

(30) **Foreign Application Priority Data**

Nov. 13, 2012	(JP)	.....	2012-27719
Nov. 13, 2012	(JP)	.....	2012-27720
Nov. 13, 2012	(JP)	.....	2012-27721

(51) **LOC (10) Cl.** ..... **13-03**

(52) **U.S. Cl.**  
USPC ..... **D13/147**

(58) **Field of Classification Search**  
USPC ..... D13/147, 154, 184, 199  
See application file for complete search history.

(56) **References Cited**

**U.S. PATENT DOCUMENTS**

D162,795 S	4/1951	De Tar
4,801,277 A	1/1989	Seilhan
4,960,388 A	10/1990	Frantz et al.
D555,597 S	11/2007	Phung et al.

**DESCRIPTION**

FIG. 1 is a top, front and left side perspective view of an  
electric connector showing my new design;

FIG. 2 is a top, rear and left side perspective view thereof;

FIG. 3 is a bottom, front and right side perspective view  
thereof;

FIG. 4 is a front elevational view thereof;

FIG. 5 is a rear elevational view thereof;

FIG. 6 is a left side elevational view thereof;

FIG. 7 is a right side elevational view thereof;

FIG. 8 is a top plan view thereof;

FIG. 9 is a bottom plan view thereof;

FIG. 10 is a left side elevational view thereof, showing the  
connector with some elements taken away for easily viewing  
the claimed body portion.

FIG. 11 is a cross-sectional view taken along the line of 11-11  
of FIG. 10; and,

FIG. 12 is a cross-sectional view taken along the line of 12-12  
of FIG. 10.

The broken lines depict environmental subject matter only  
and form no part of the claimed design.

**1 Claim, 5 Drawing Sheets**

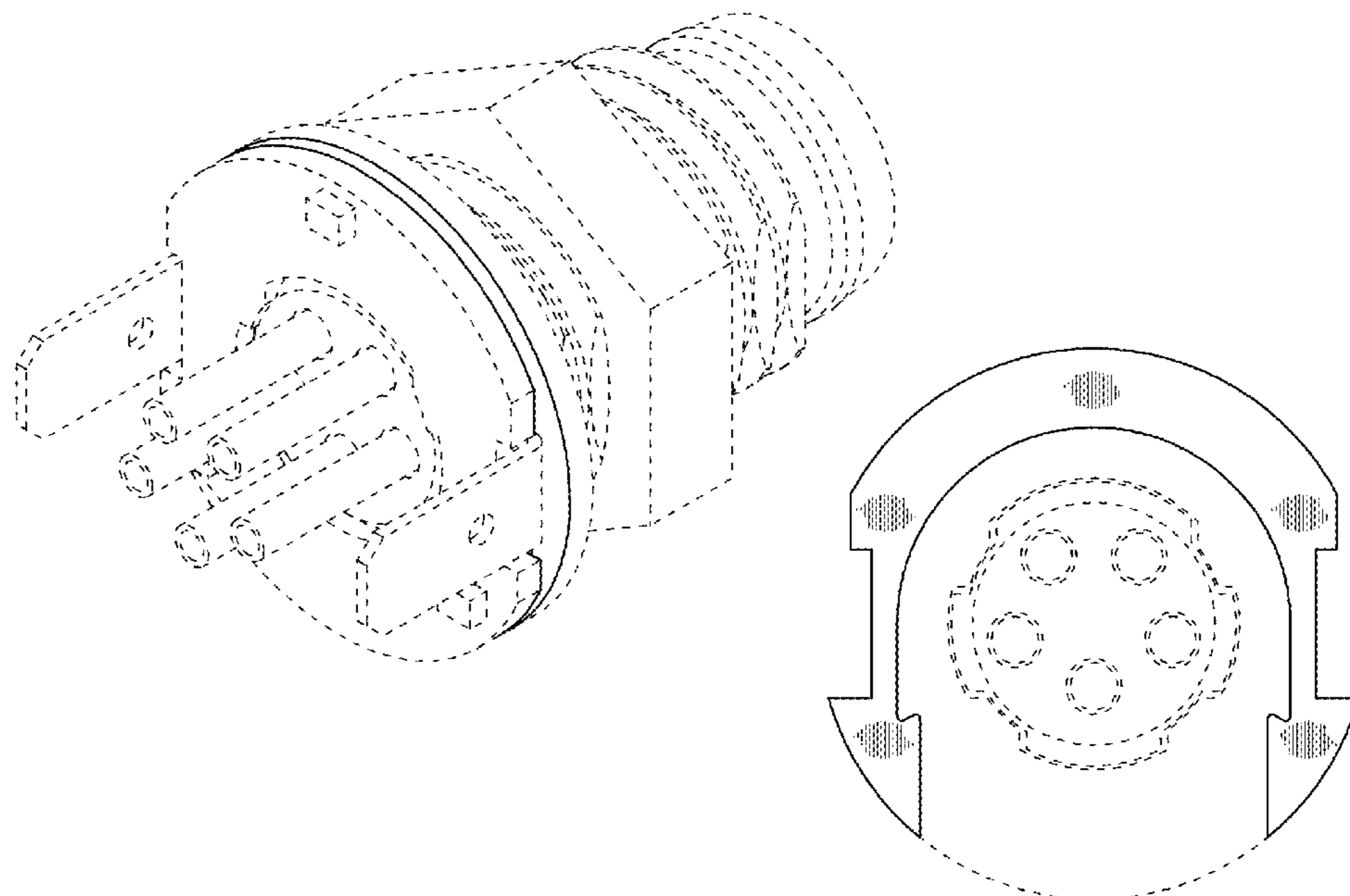


Fig. 1

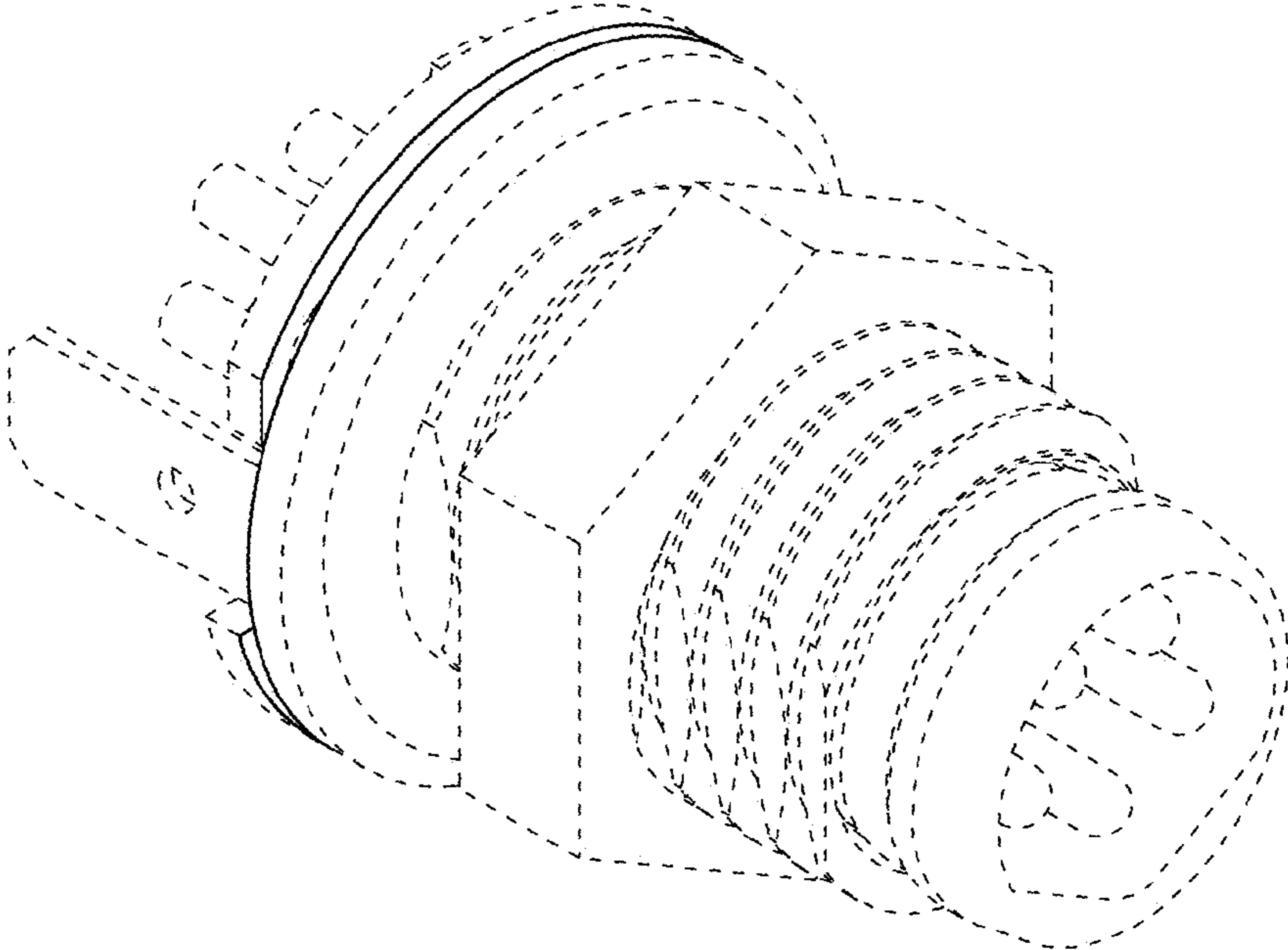


Fig. 2

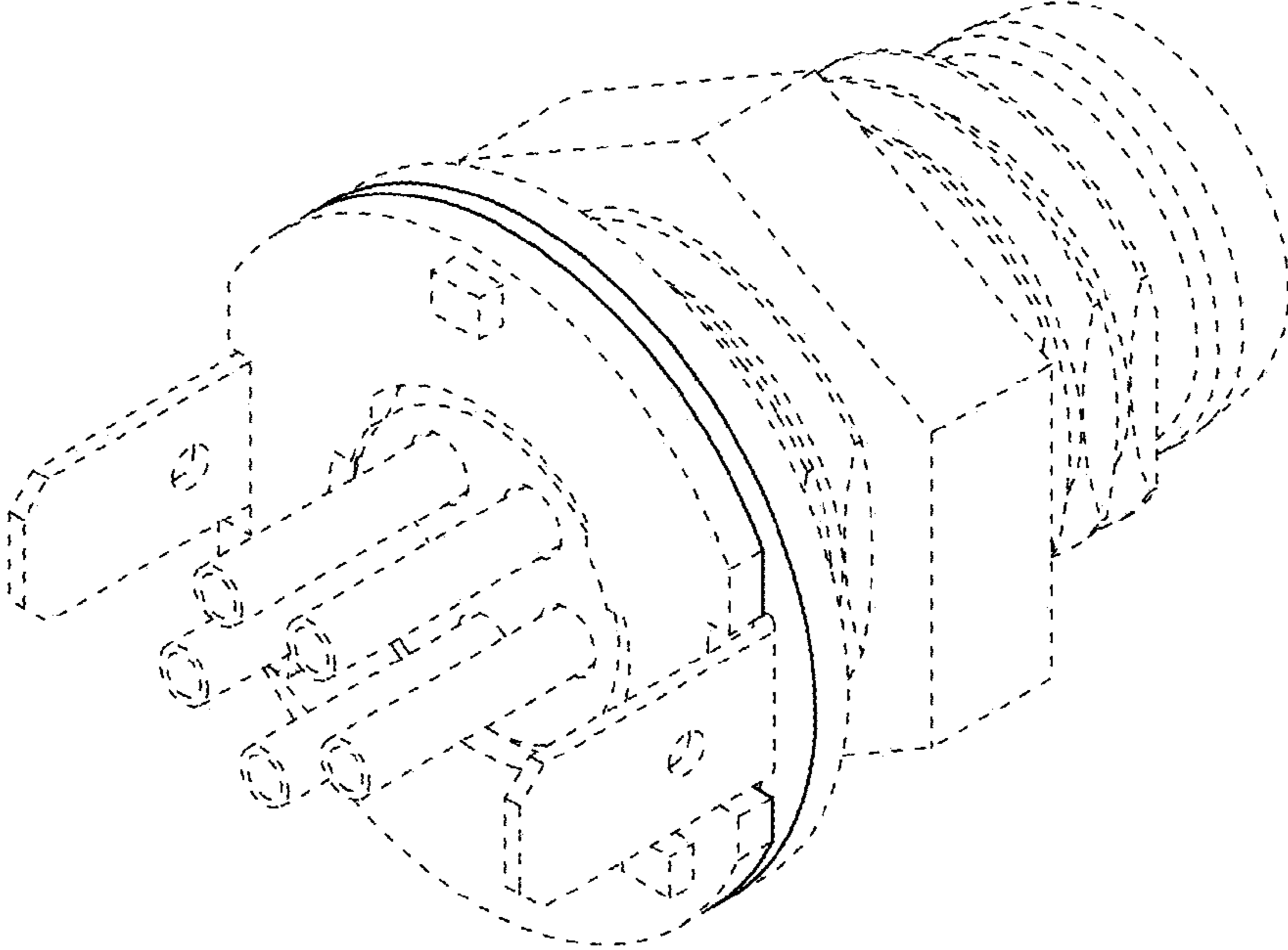


Fig. 3

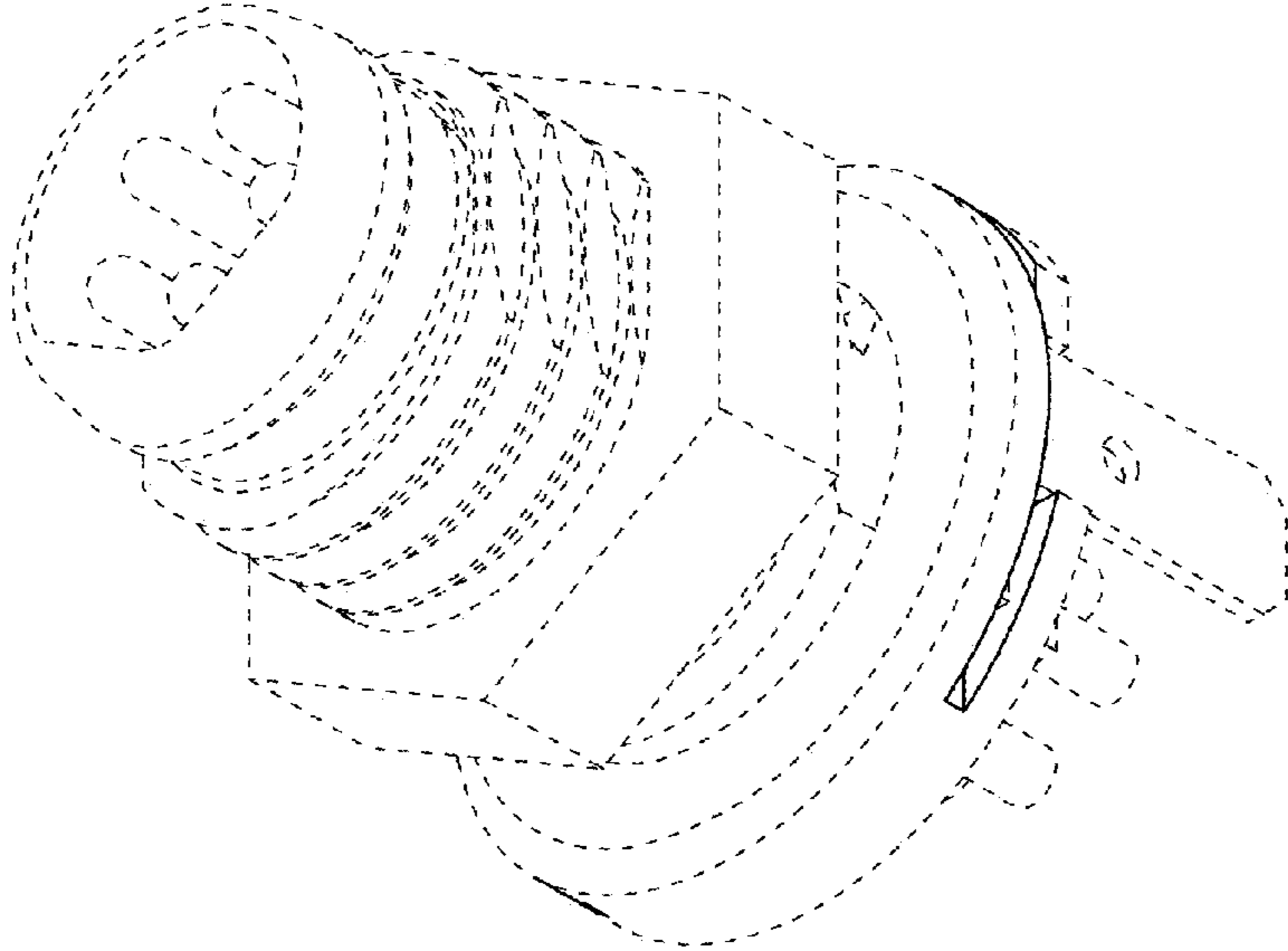


Fig. 4

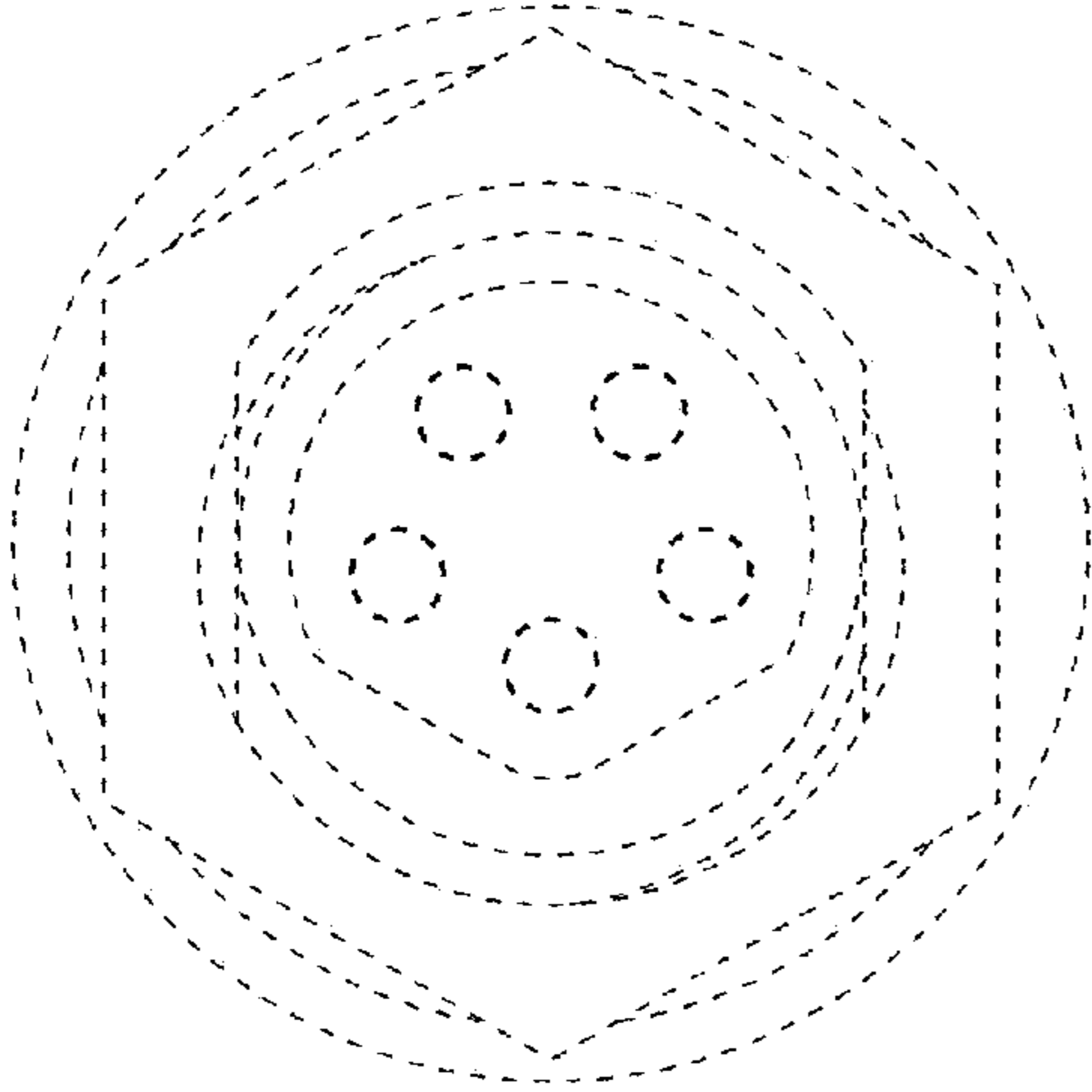


Fig. 5

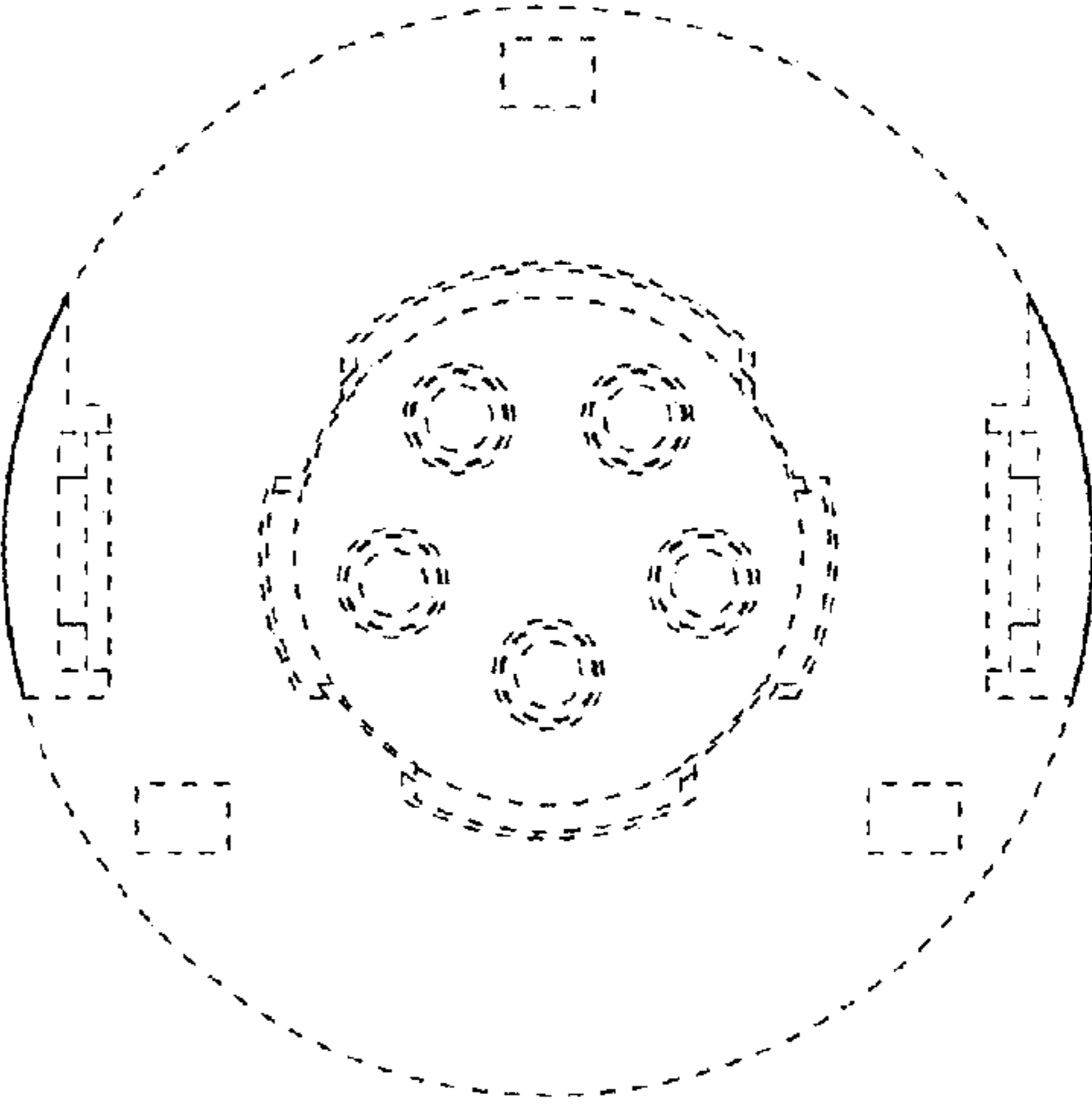


Fig. 6

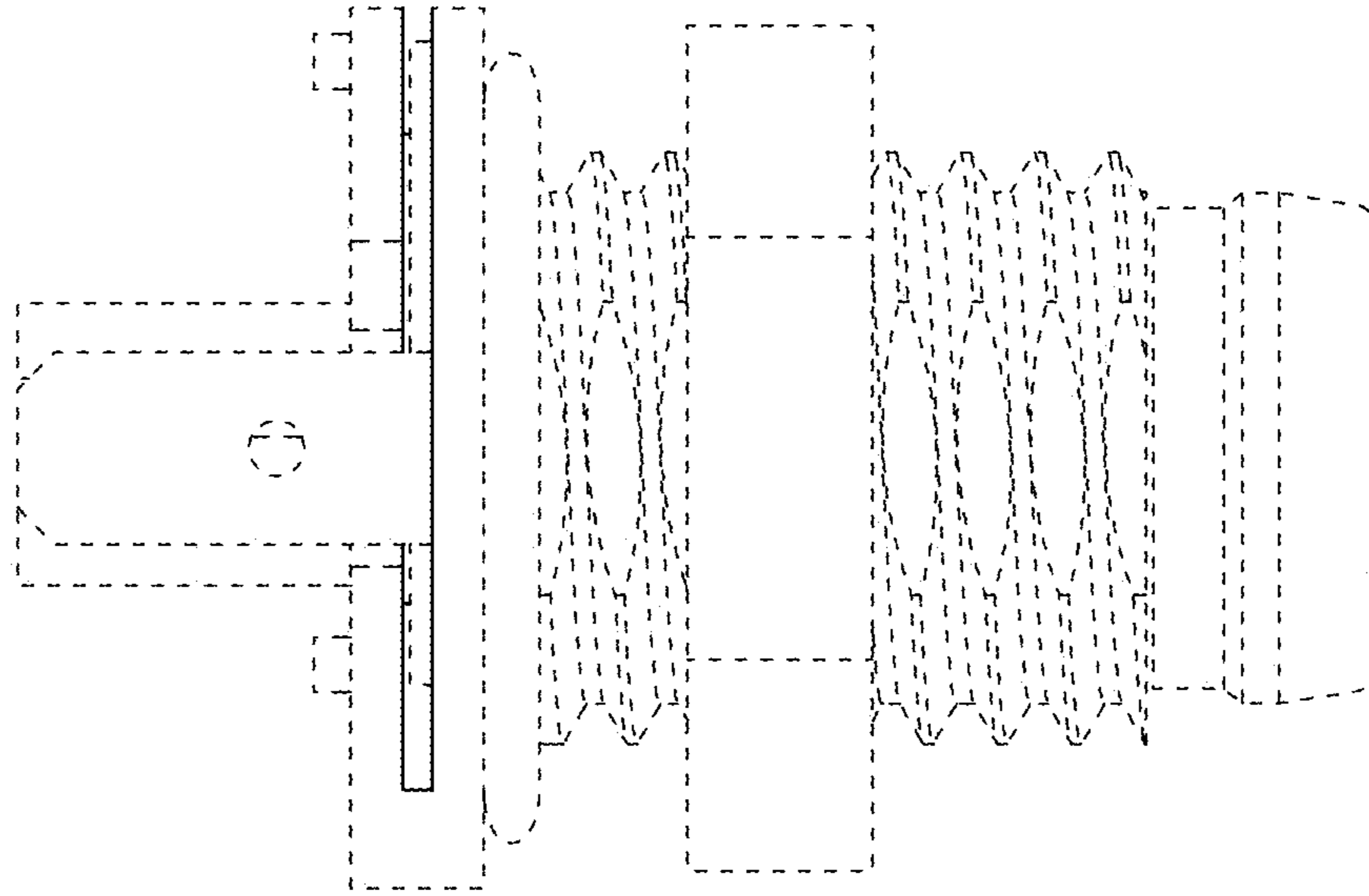


Fig. 7

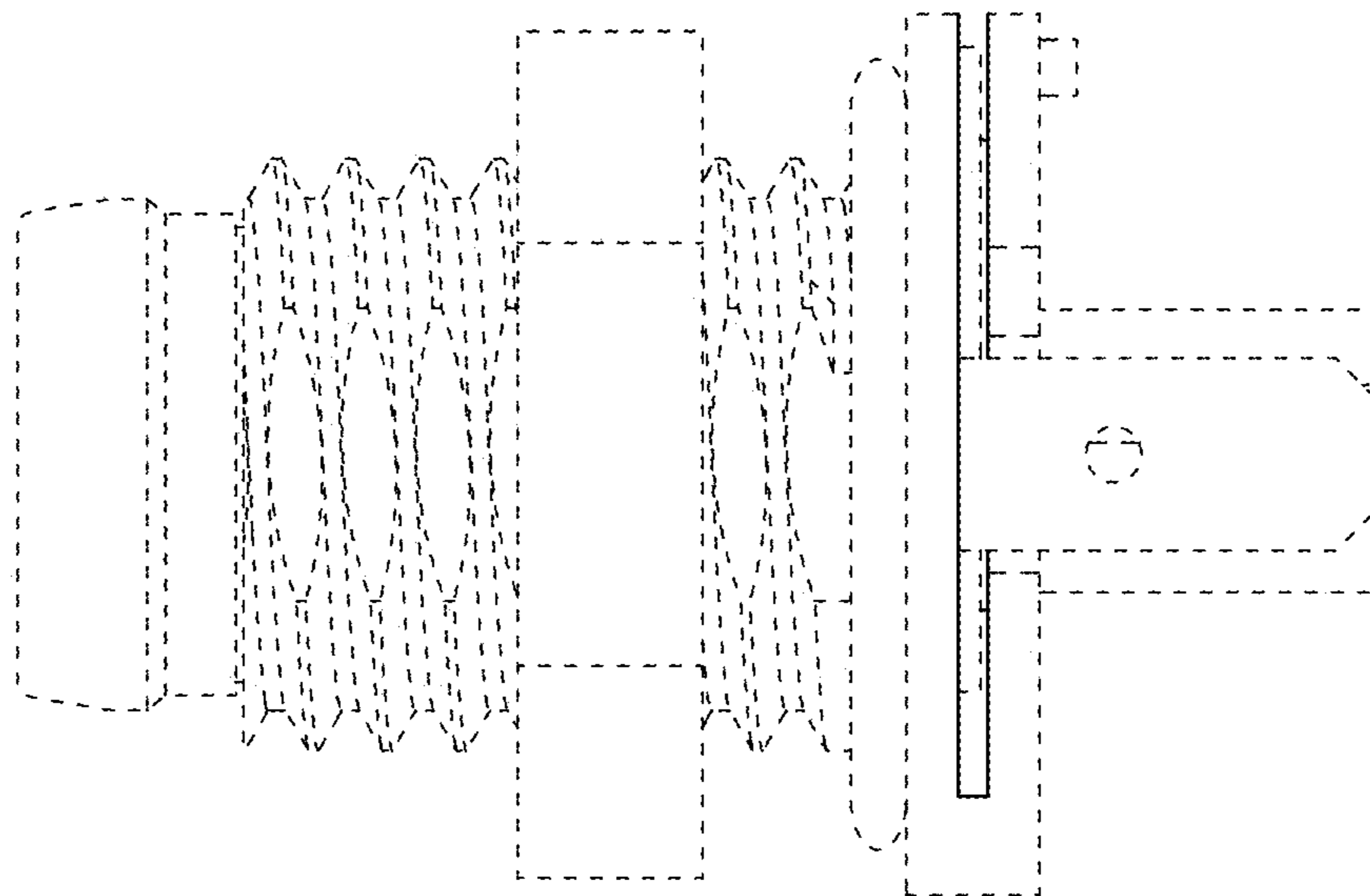


Fig. 8

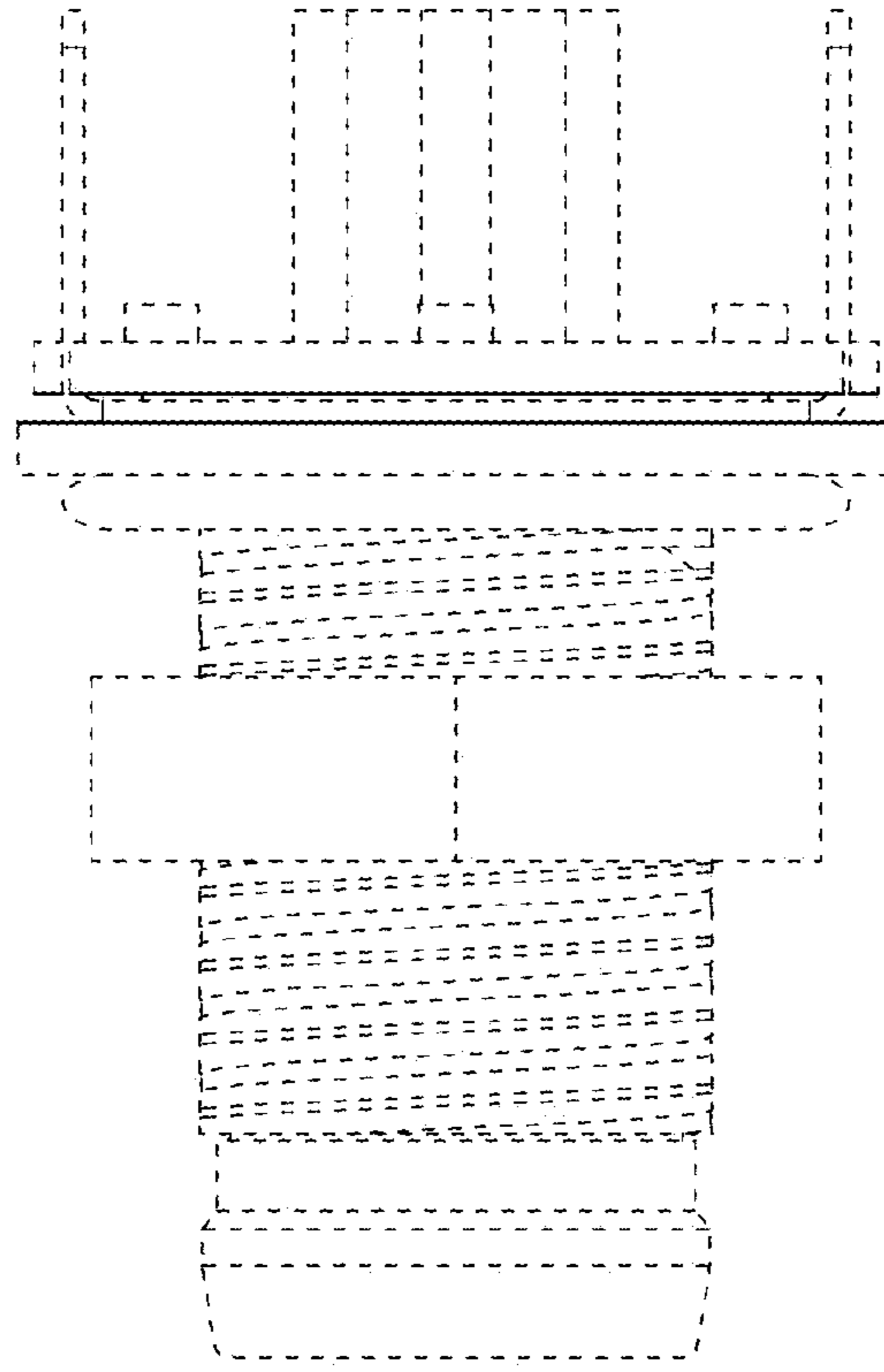


Fig. 9

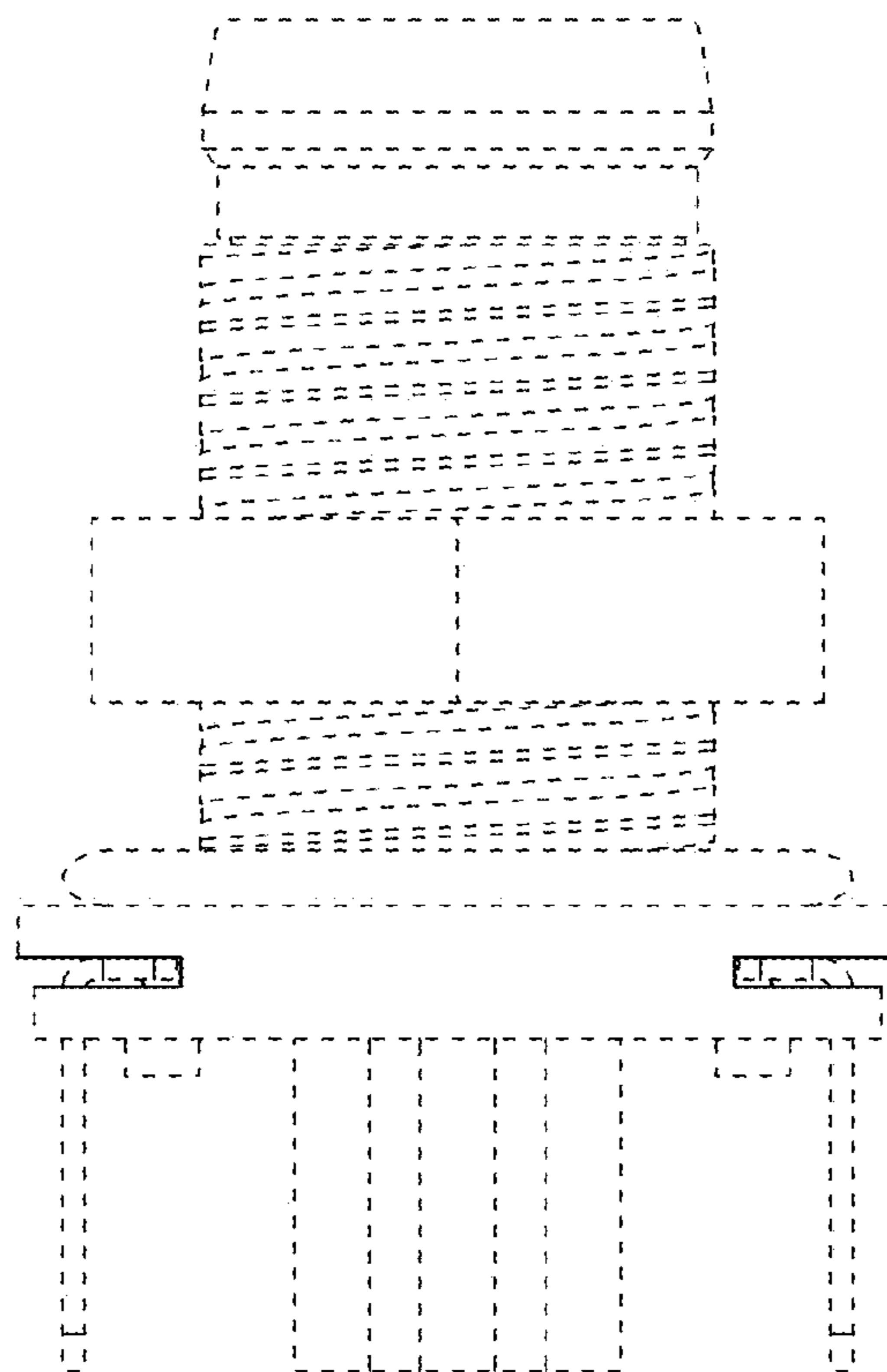




Fig. 10

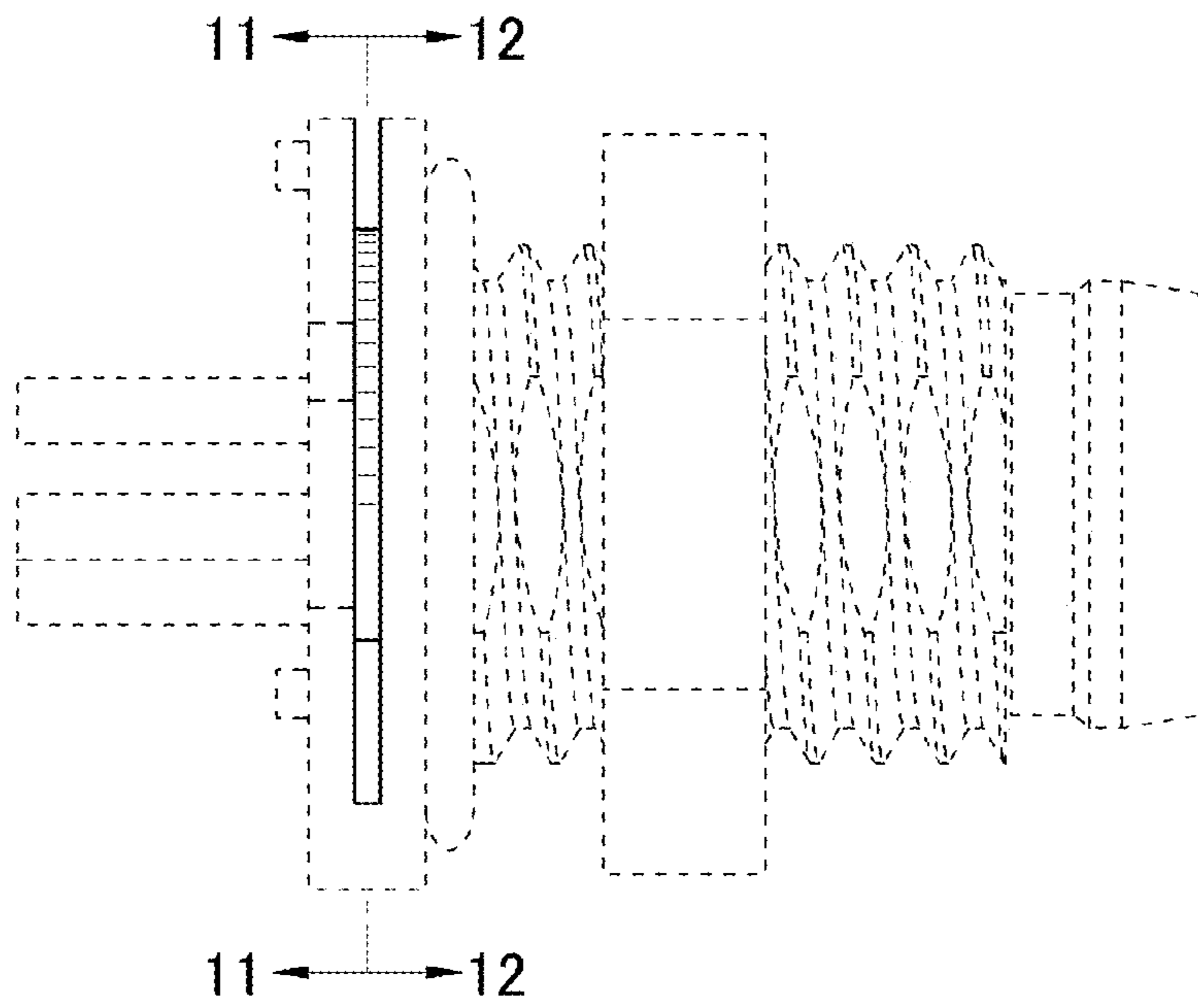


Fig. 11

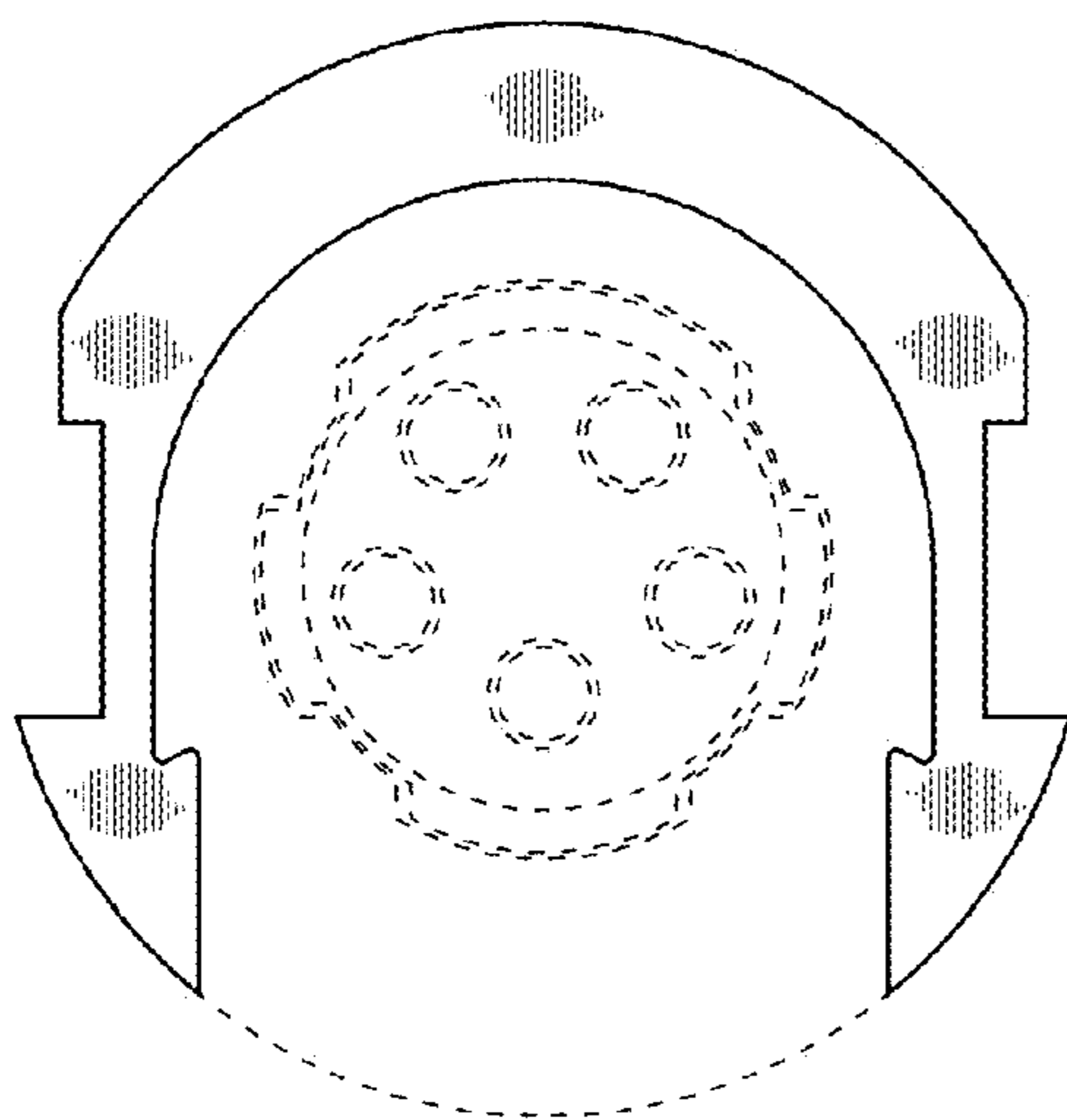


Fig. 12

