



US00D743905S

(12) **United States Design Patent**  
**Kobuchi et al.**

(10) **Patent No.:** **US D743,905 S**

(45) **Date of Patent:** **\*\* Nov. 24, 2015**

(54) **ELECTRICAL CONNECTOR**

(71) Applicant: **Japan Aviation Electronics Industry, Limited**, Tokyo (JP)

(72) Inventors: **Toshiro Kobuchi**, Tokyo (JP); **Yoshinori Honma**, Tokyo (JP); **Takayuki Nishimura**, Tokyo (JP); **Hiroaki Obikane**, Tokyo (JP)

(73) Assignee: **Japan Aviation Electronic Industry, Limited**, Tokyo (JP)

(\*\*) Term: **14 Years**

(21) Appl. No.: **29/511,640**

(22) Filed: **Dec. 12, 2014**

(30) **Foreign Application Priority Data**

Jun. 30, 2014 (JP) ..... 2014-014366

(51) **LOC (10) Cl.** ..... **13-03**

(52) **U.S. Cl.**  
USPC ..... **D13/147**

(58) **Field of Classification Search**  
USPC ..... D13/133, 146, 147, 154, 184, 199  
See application file for complete search history.

(56) **References Cited**

U.S. PATENT DOCUMENTS

D603,798 S	*	11/2009	Obikane	.....	D13/147
D603,801 S	*	11/2009	Obikane	.....	D13/147
D642,986 S		8/2011	Nishimura et al.		
D692,833 S		11/2013	Nishimura et al.		
D695,691 S		12/2013	Kobuchi et al.		
D696,201 S		12/2013	Takenaga et al.		
D703,146 S		4/2014	Takenaga et al.		
D722,974 S	*	2/2015	Ueda	.....	D13/147

\* cited by examiner

*Primary Examiner* — Daniel Bui

(74) *Attorney, Agent, or Firm* — Cermak Nakajima & McGowan LLP; Tomoko Nakajima

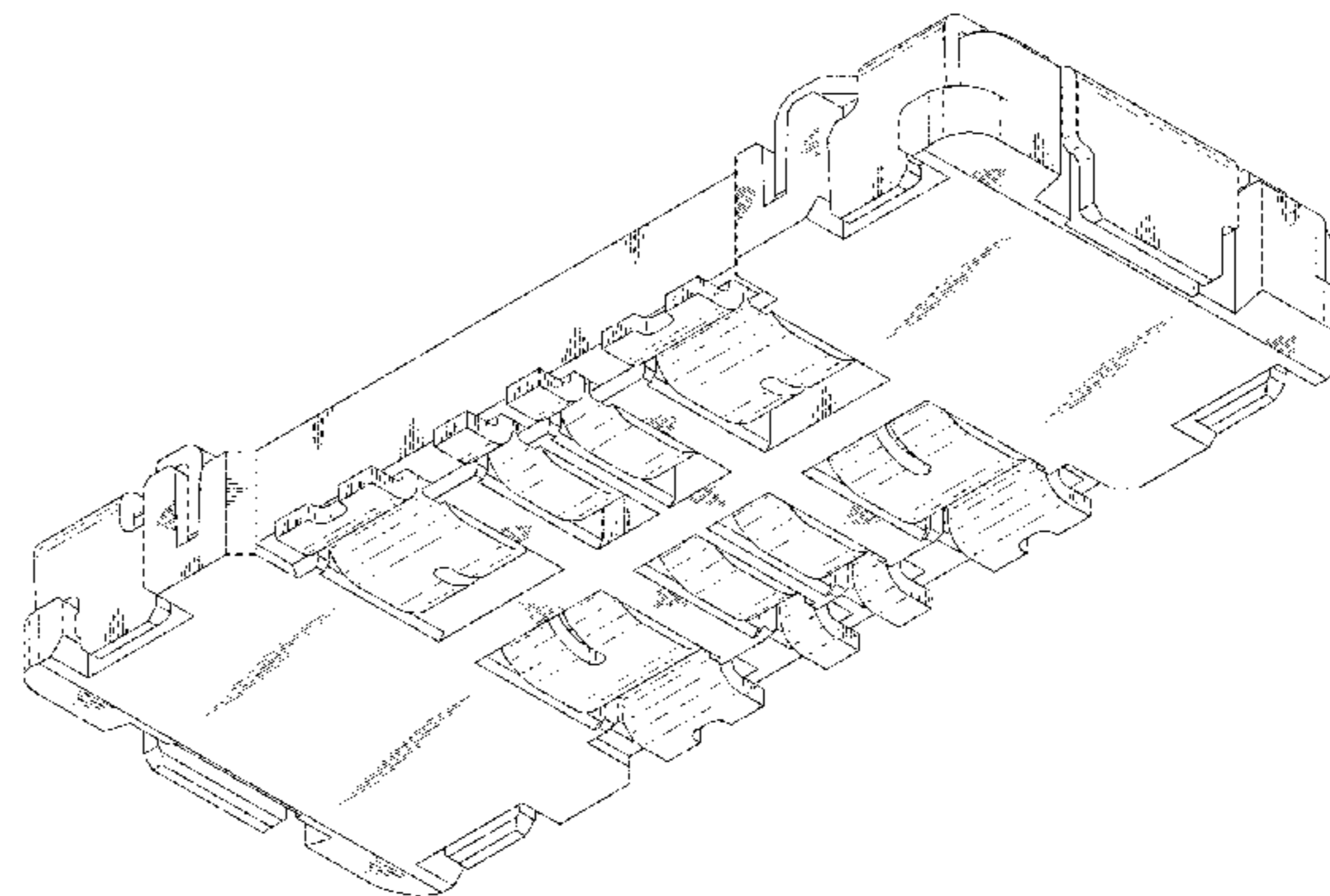
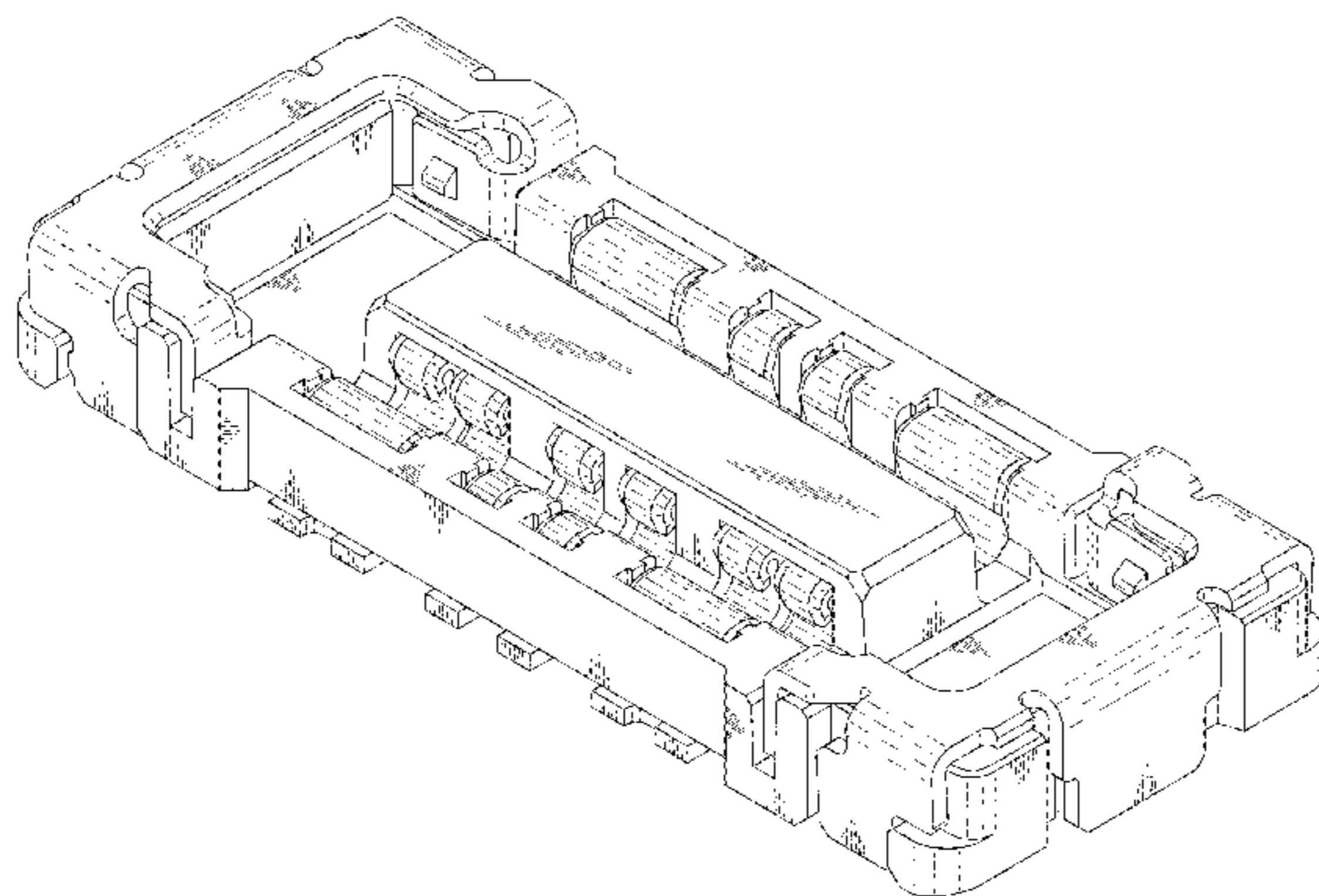
(57) **CLAIM**

The ornamental design for an electrical connector, as shown.

**DESCRIPTION**

FIG. 1 is a front elevational view of an electrical connector showing our new design;  
FIG. 2 is a top plan view thereof;  
FIG. 3 is a right side elevational view thereof;  
FIG. 4 is a left side elevational view thereof;  
FIG. 5 is a rear elevational view thereof;  
FIG. 6 is a bottom plan view thereof;  
FIG. 7 is a front and top perspective view thereof; and,  
FIG. 8 is a rear and bottom perspective view thereof.

**1 Claim, 8 Drawing Sheets**



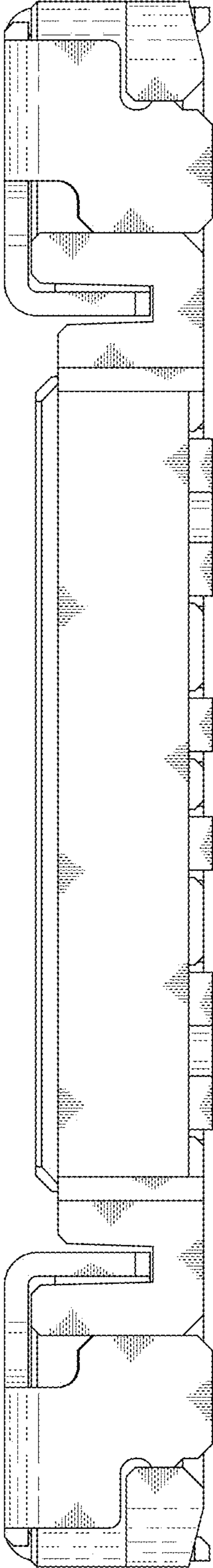


FIG.1

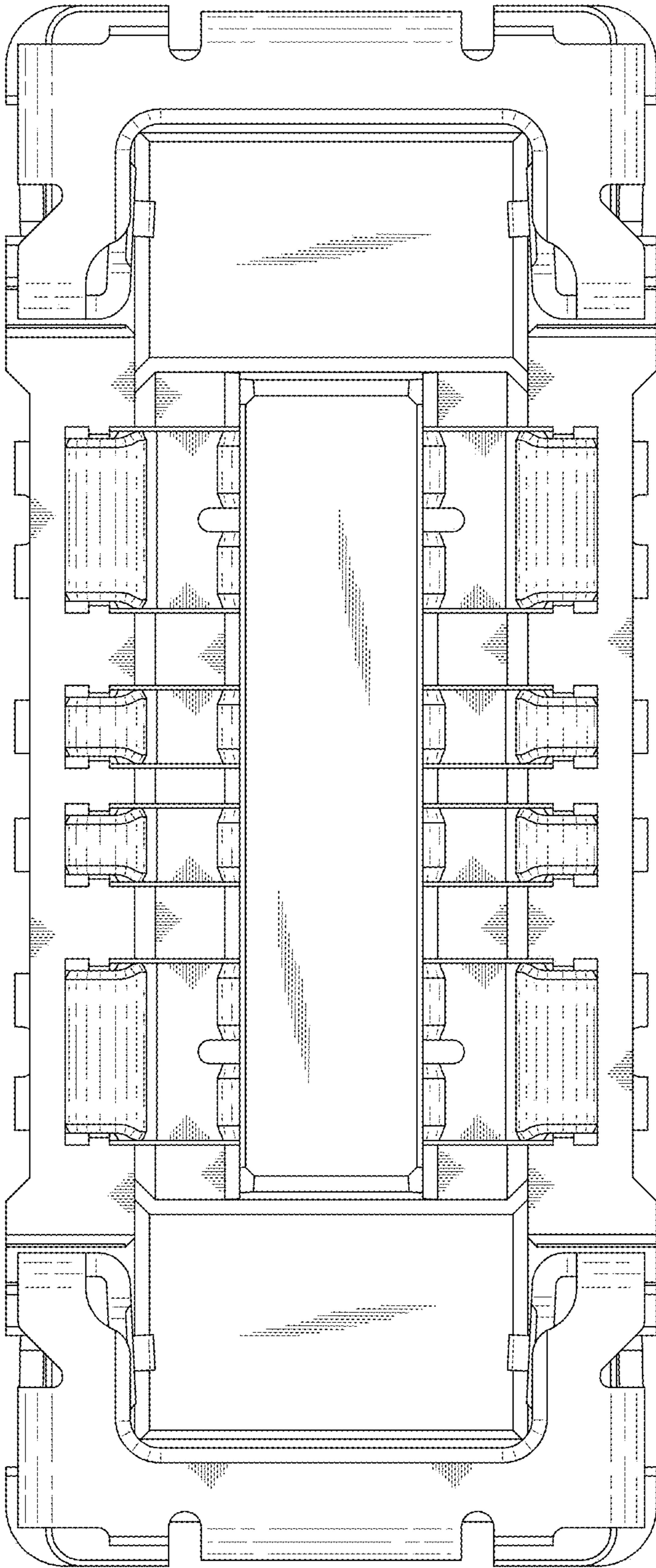


FIG.2

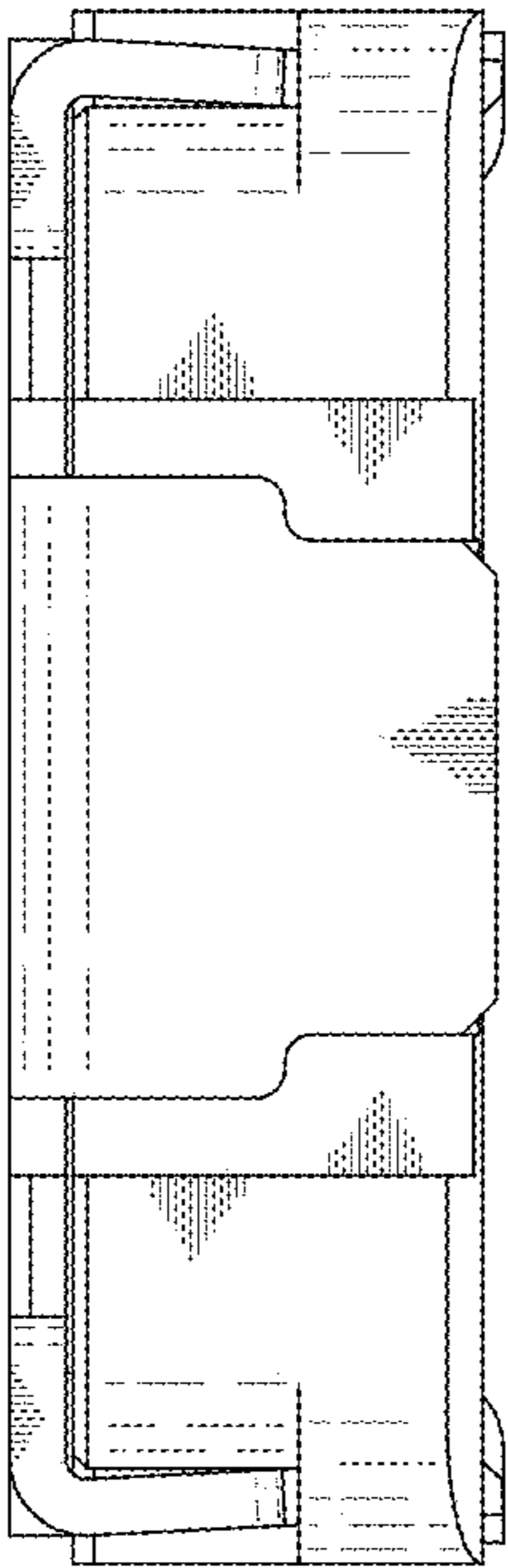


FIG. 3

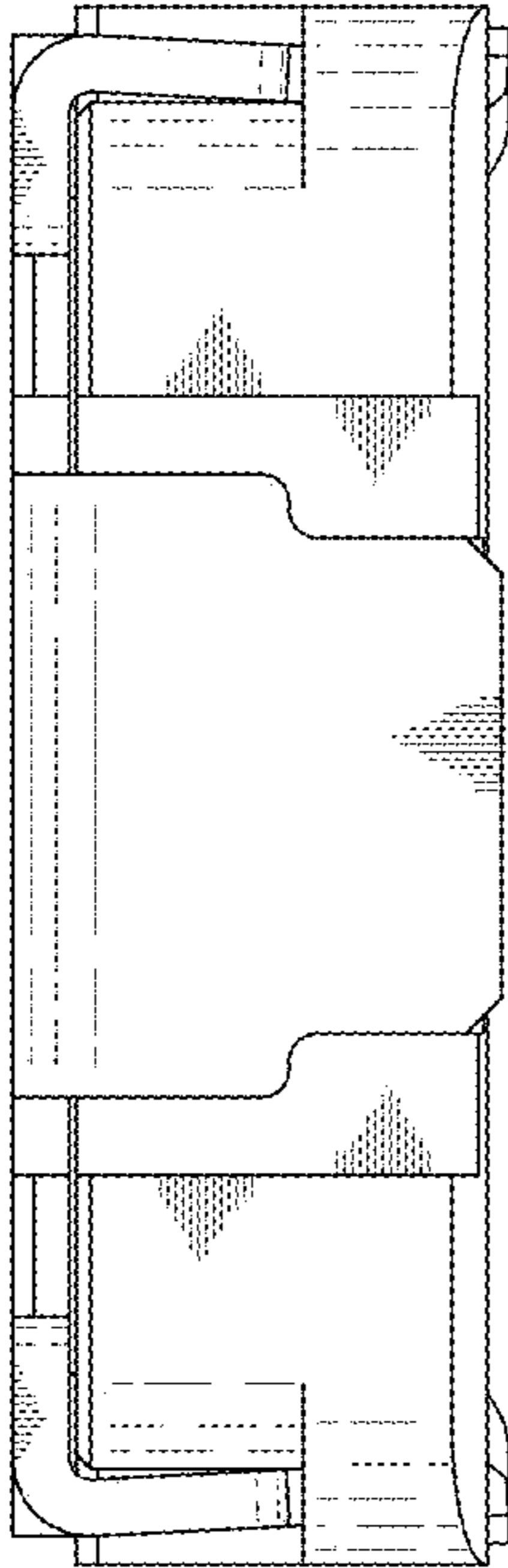


FIG.4

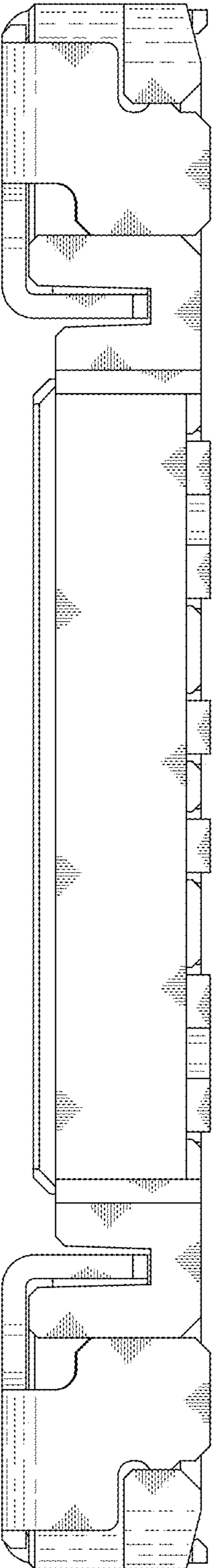


FIG.5



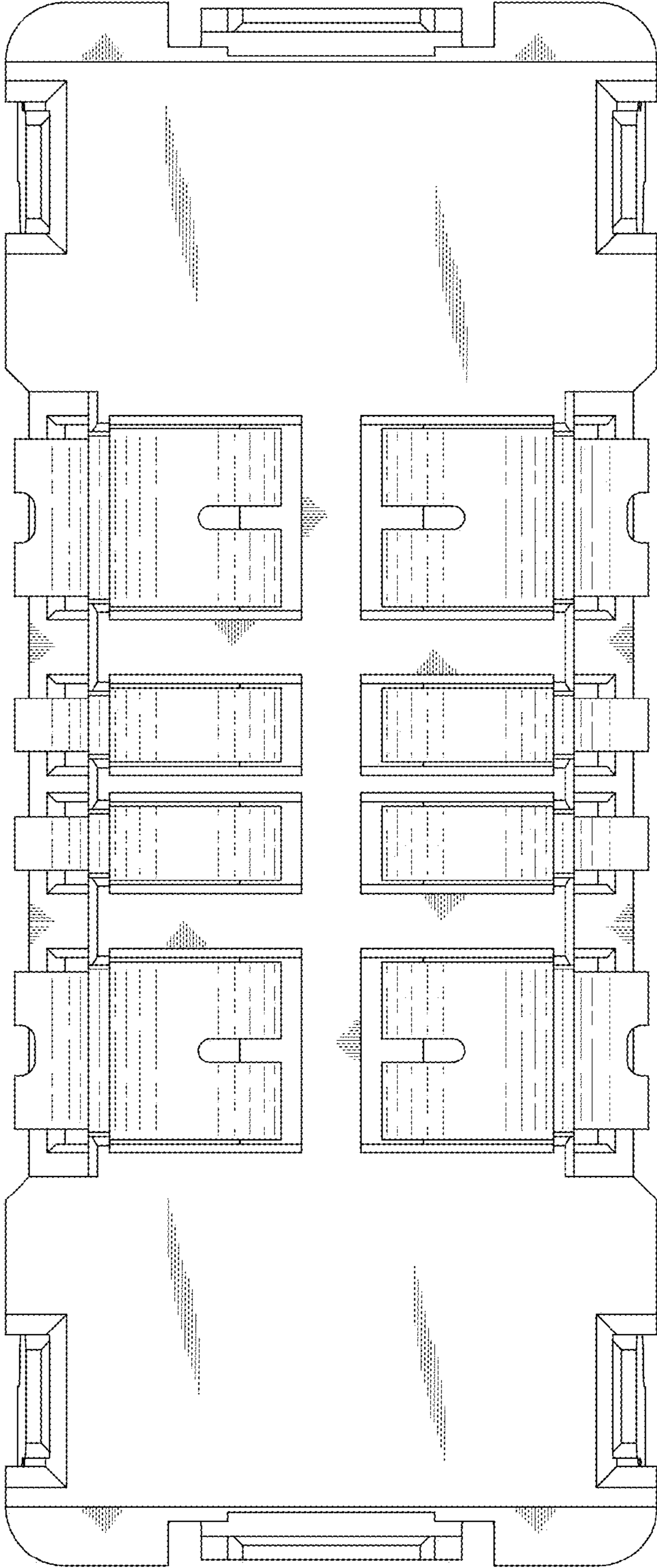


FIG.6

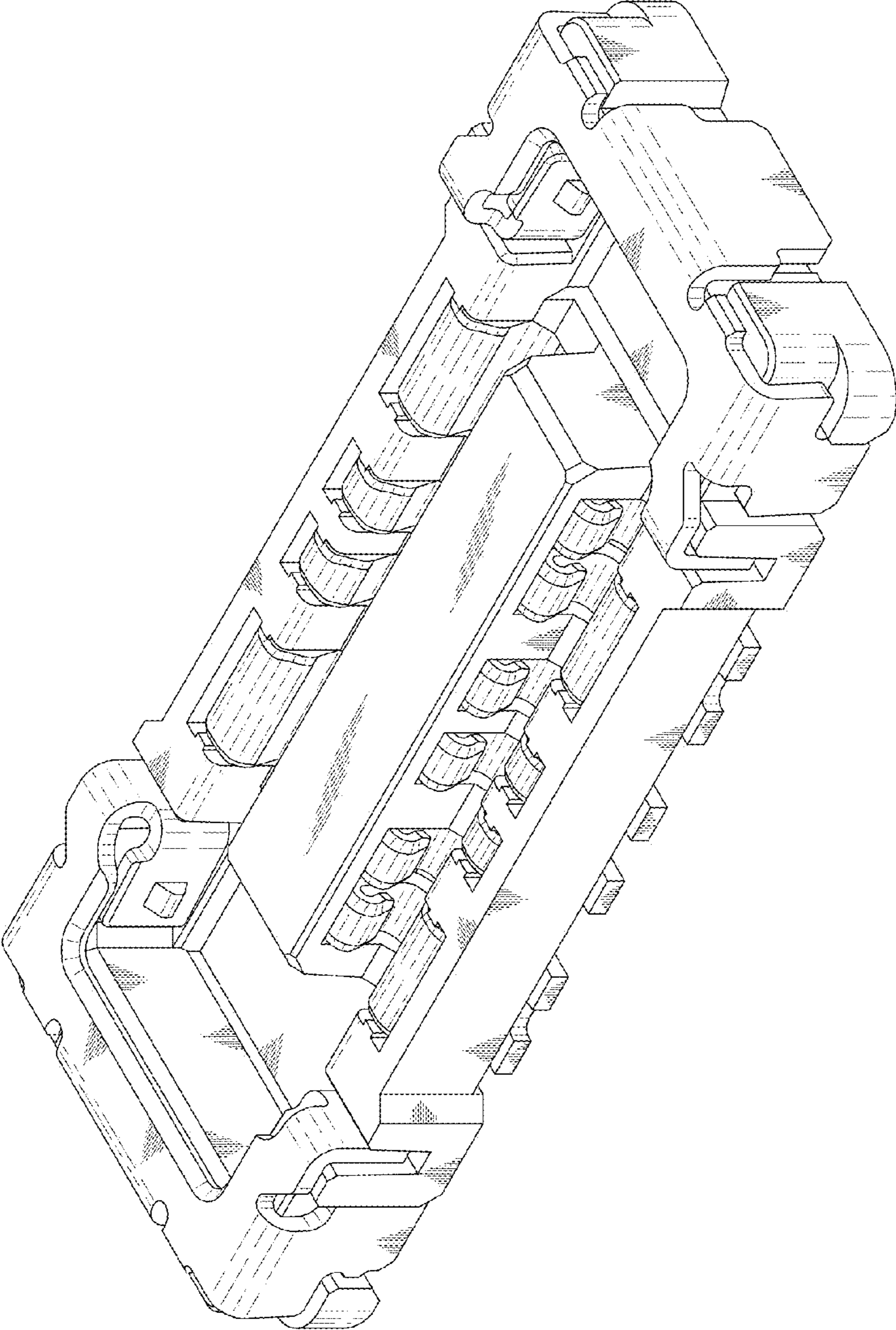


FIG. 7



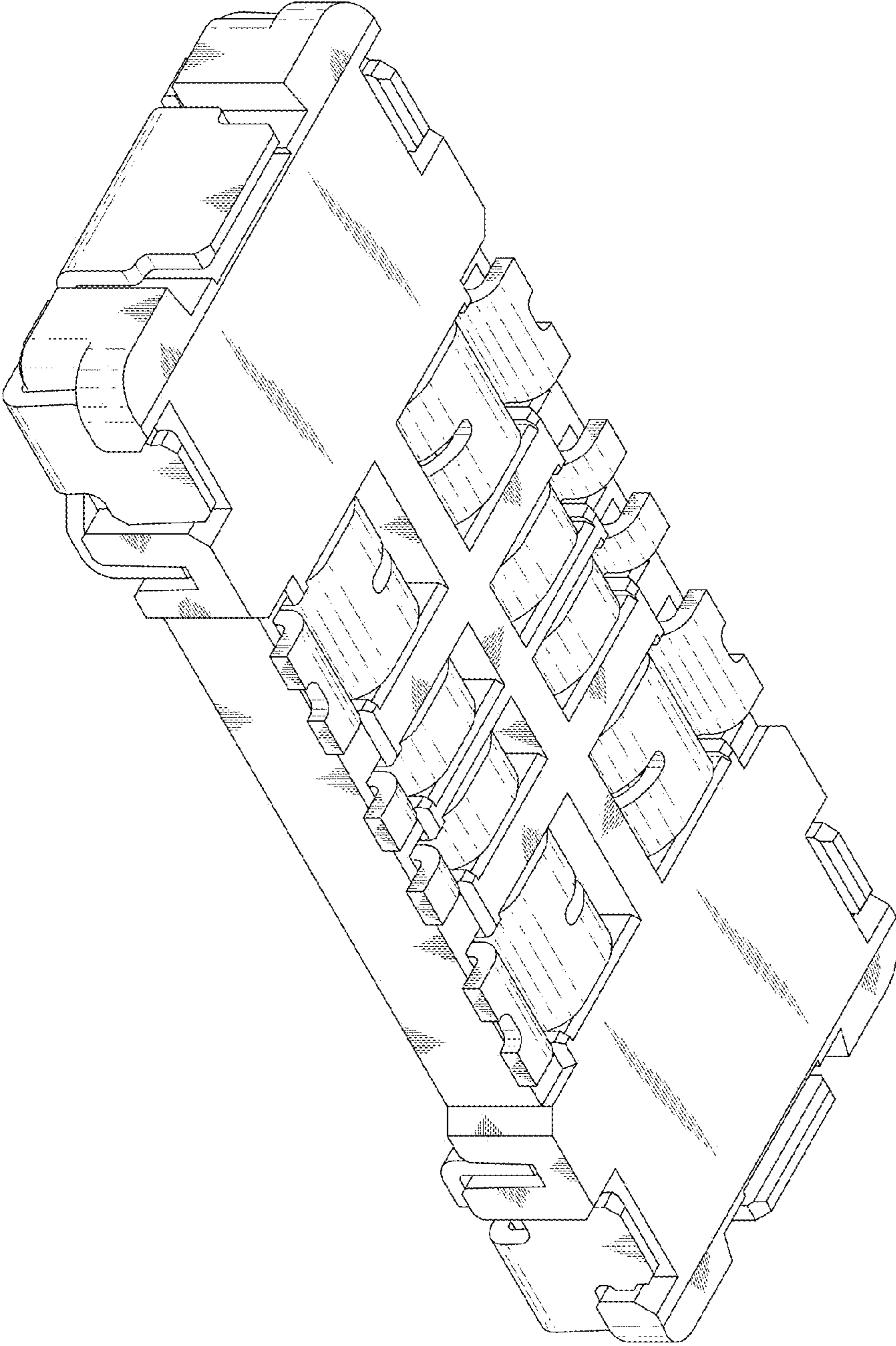


FIG.8