



US00D743903S

(12) **United States Design Patent**  
**Krivonak et al.**

(10) **Patent No.:** **US D743,903 S**

(45) **Date of Patent:** **\*\* Nov. 24, 2015**

(54) **BUSBAR**

(71) Applicant: **General Electric Company,**  
Schenectady, NY (US)

(72) Inventors: **Andrew Louis Krivonak,** Erie, PA  
(US); **Mark Allen Murphy,** Erie, PA  
(US); **Frank Dolski,** Erie, PA (US)

(73) Assignee: **General Electric Company,**  
Schenectady, NY (US)

(\*\*) Term: **14 Years**

(21) Appl. No.: **29/510,310**

(22) Filed: **Nov. 26, 2014**

(51) **LOC (10) Cl.** ..... **13-03**

(52) **U.S. Cl.**  
USPC ..... **D13/147**

(58) **Field of Classification Search**  
USPC ..... D13/146, 147, 154, 184, 199  
See application file for complete search history.

(56) **References Cited**

**U.S. PATENT DOCUMENTS**

D223,668 S \* 5/1972 Ulrich ..... D13/120  
4,270,019 A \* 5/1981 Thye et al. .... 174/32

5,528,073 A \* 6/1996 Gilmore ..... 257/584  
D556,686 S \* 12/2007 Matsuo et al. .... D13/110  
D636,727 S \* 4/2011 Sakae ..... D13/121  
2010/0000089 A1 \* 1/2010 Yang et al. .... 29/854  
2010/0089641 A1 \* 4/2010 Esmaili et al. .... 174/70 B  
2011/0073345 A1 \* 3/2011 Sato et al. .... 174/50

\* cited by examiner

*Primary Examiner* — Daniel Bui

(74) *Attorney, Agent, or Firm* — GE Global Patent  
Operation; John A. Kramer

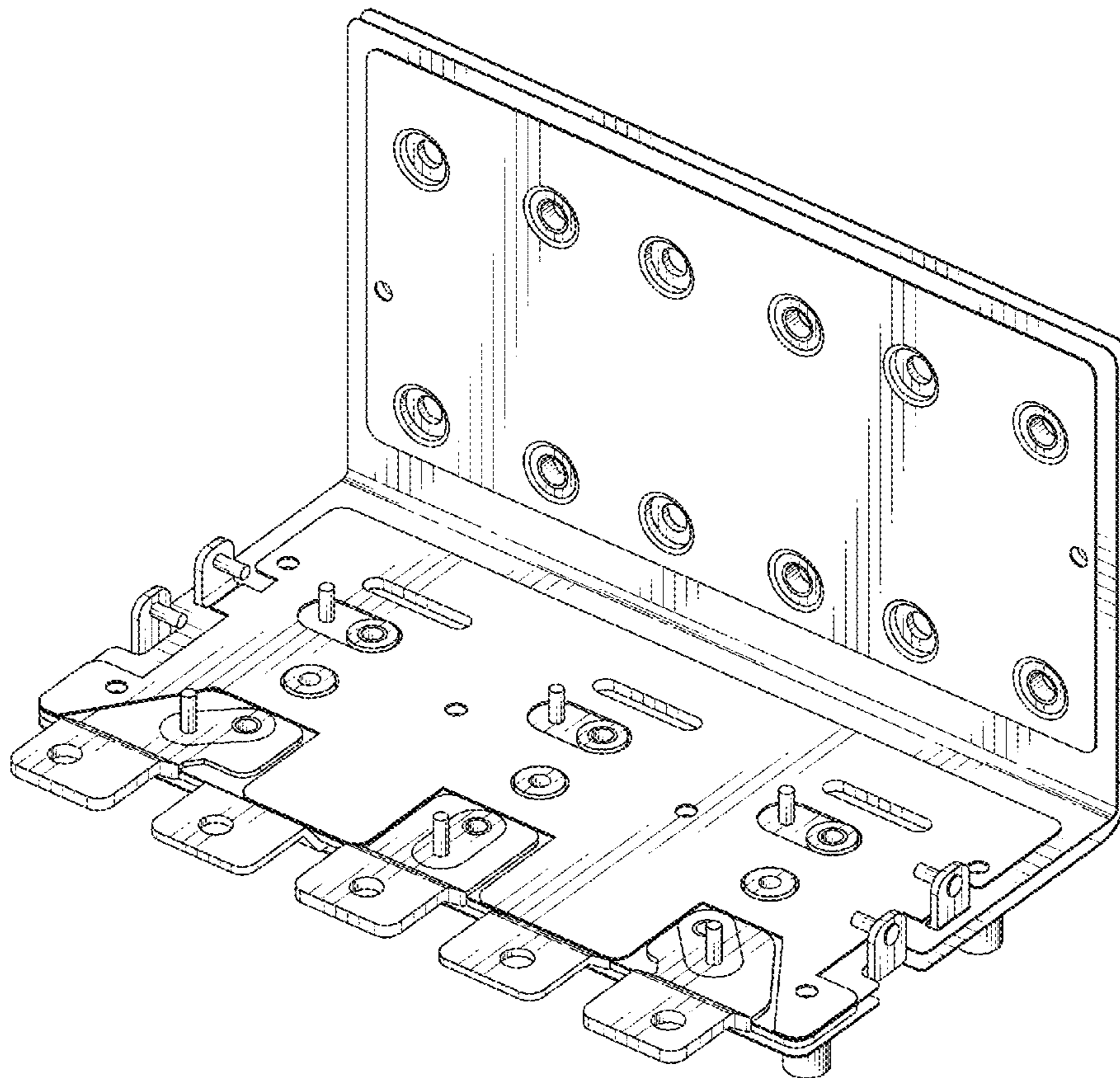
(57) **CLAIM**

The ornamental design for a busbar, as shown and described.

**DESCRIPTION**

FIG. 1 is a front and top perspective view of a busbar showing our new design;  
FIG. 2 is a front elevation view thereof;  
FIG. 3 is a rear elevation view thereof;  
FIG. 4 is a side elevation view thereof;  
FIG. 5 is an opposite side elevation view thereof;  
FIG. 6 is a top plan view thereof; and,  
FIG. 7 is a bottom plan view thereof.  
The broken line portion of the figure drawings is included to show unclaimed subject matter only and forms no part of the claimed designs.

**1 Claim, 4 Drawing Sheets**



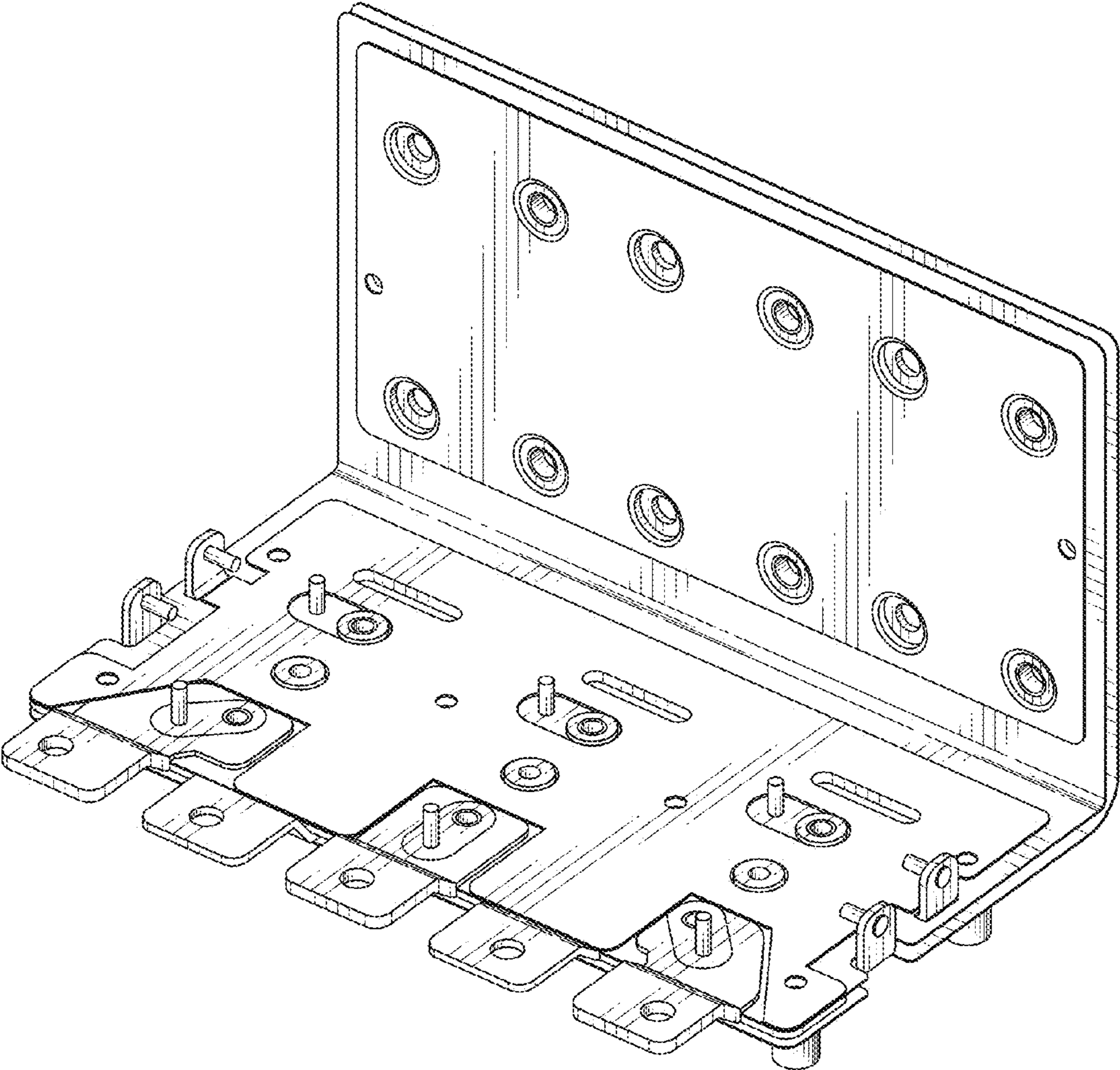


FIG. 1

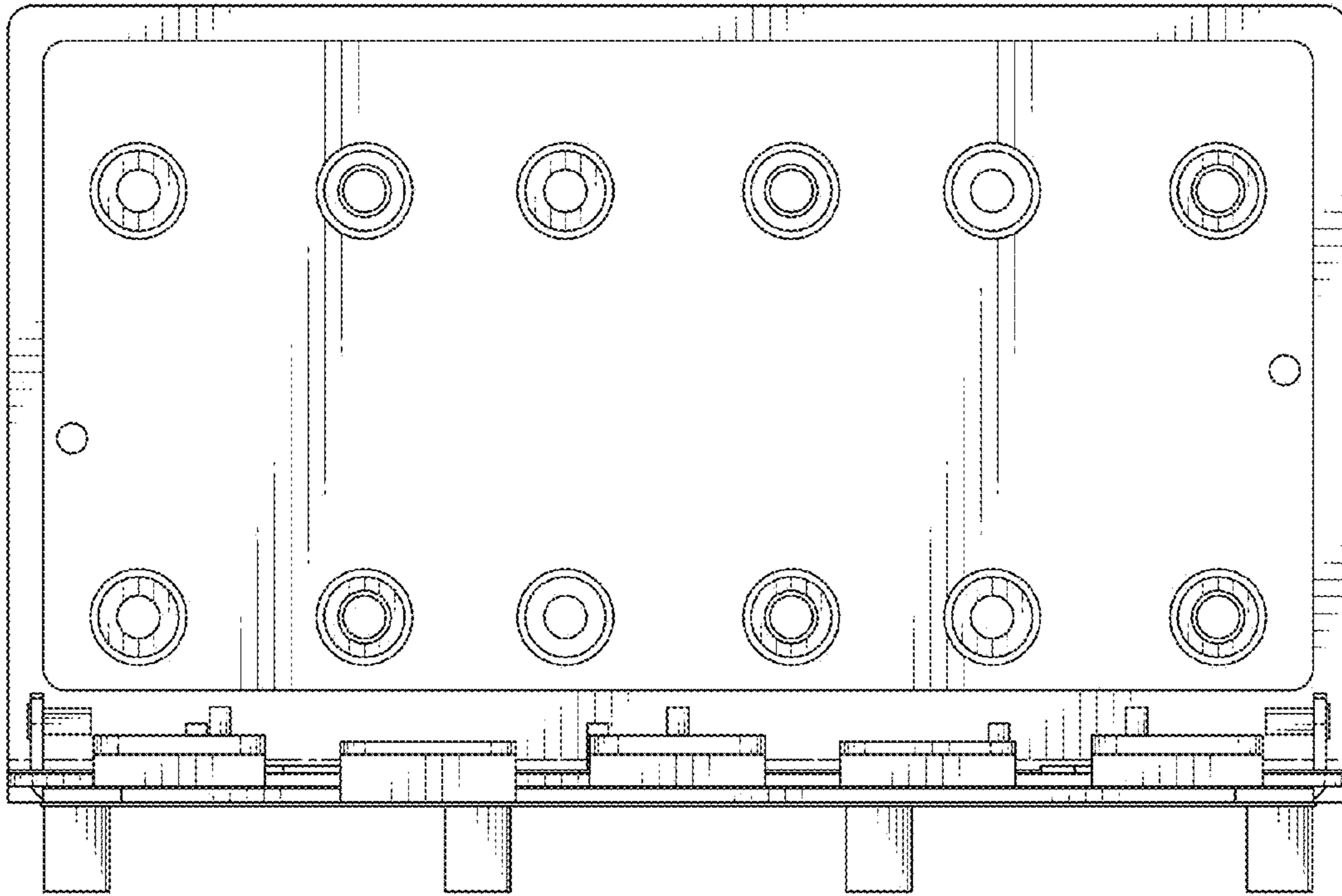


FIG. 2

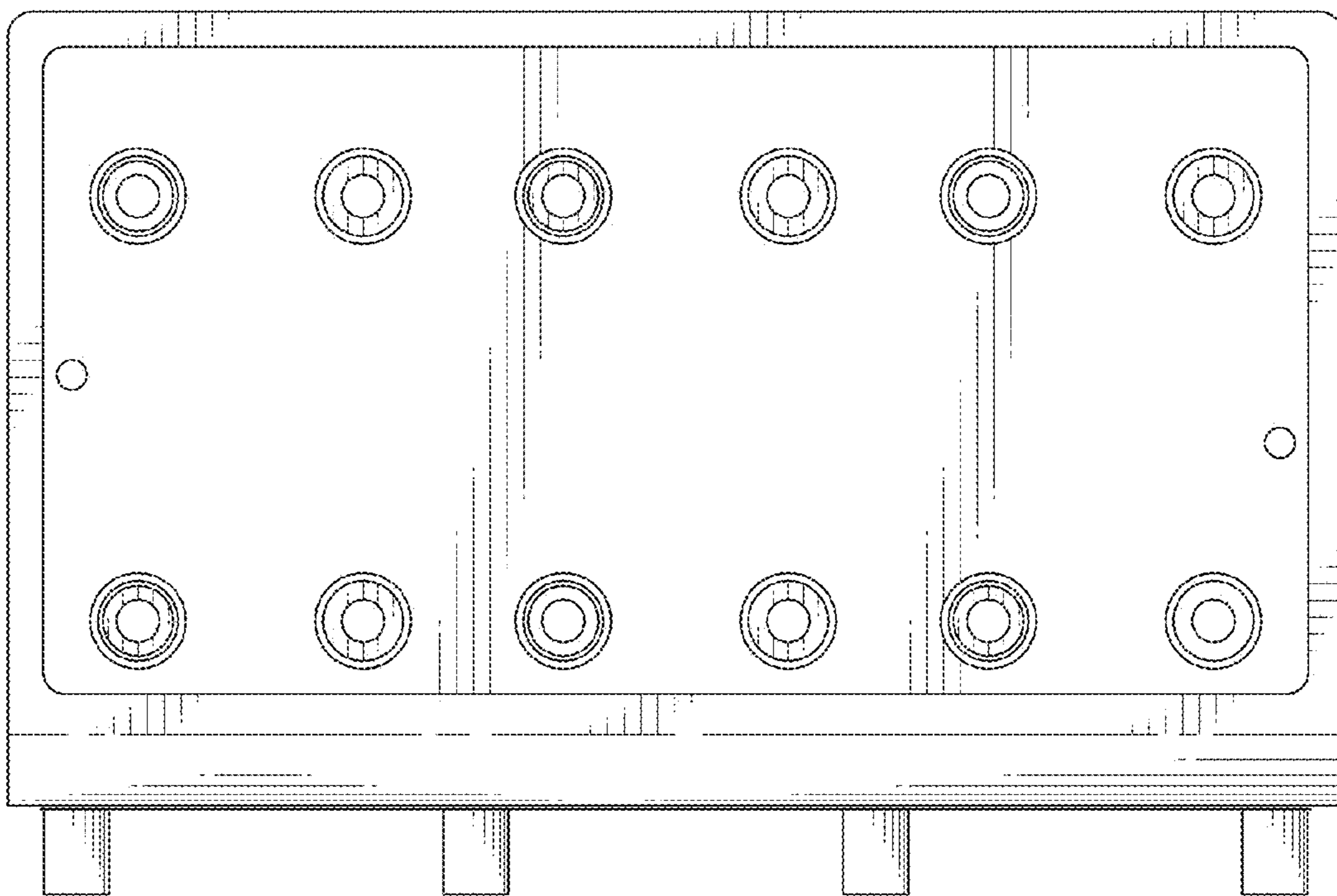


FIG. 3

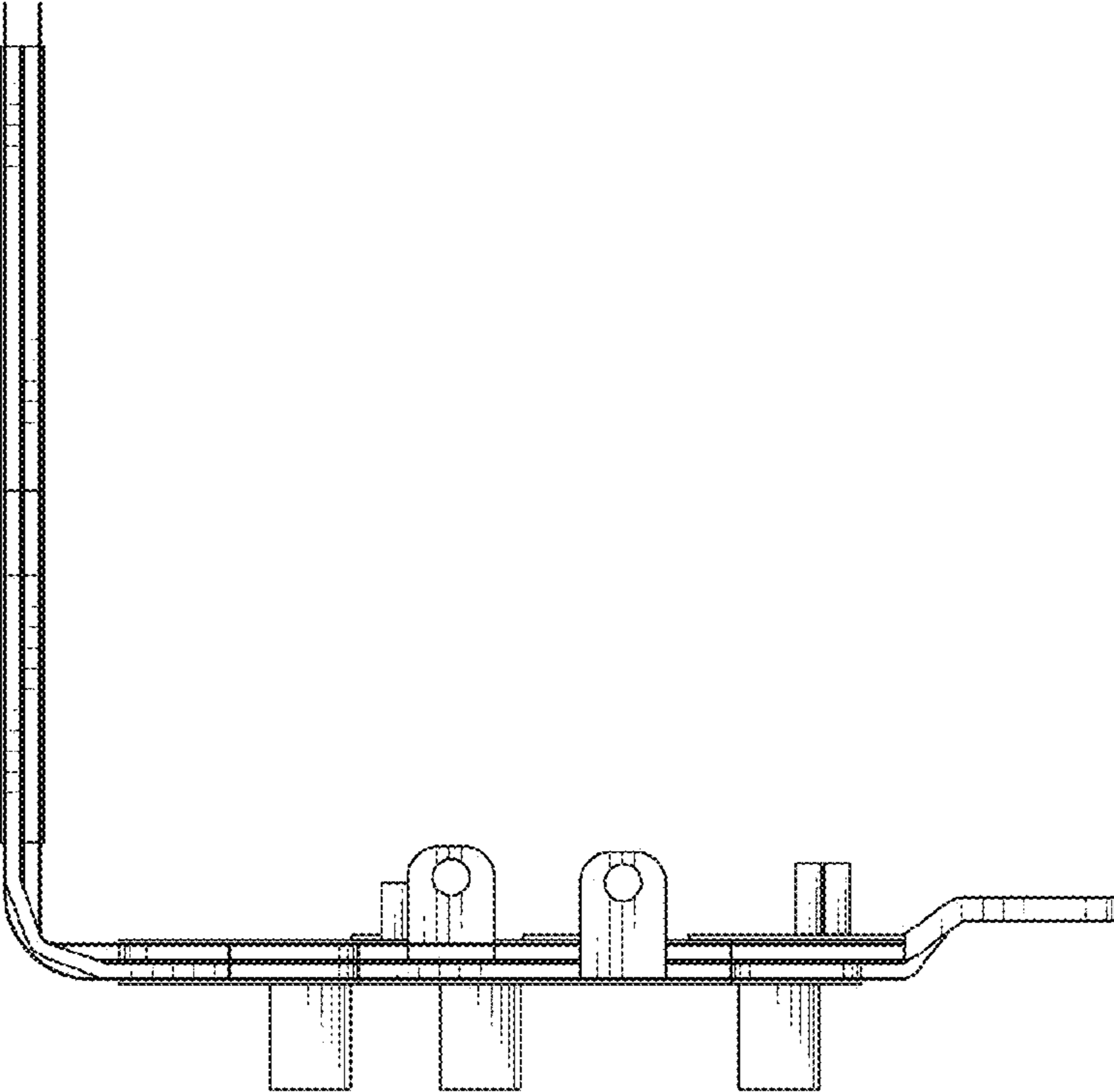


FIG. 4

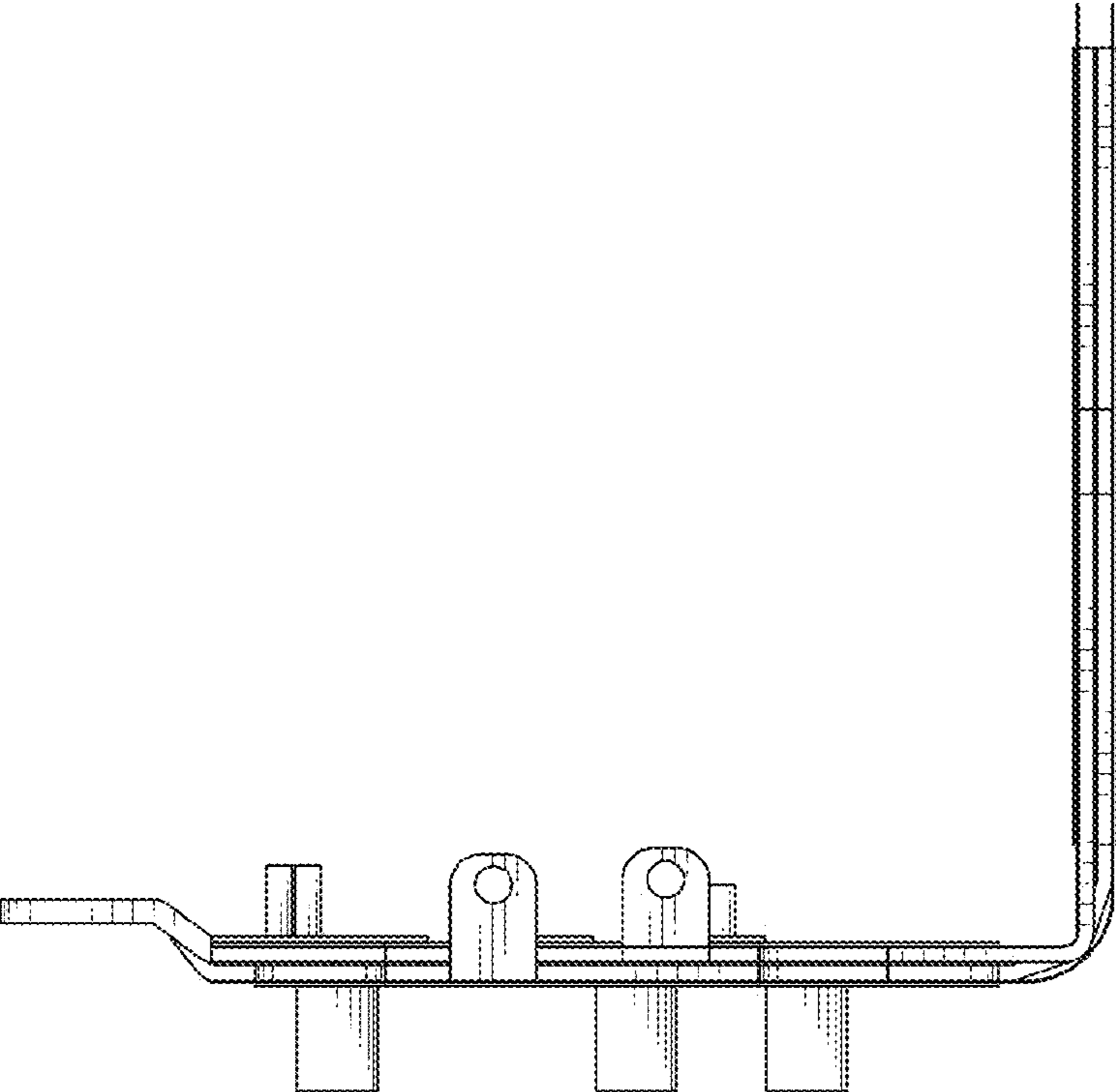


FIG. 5

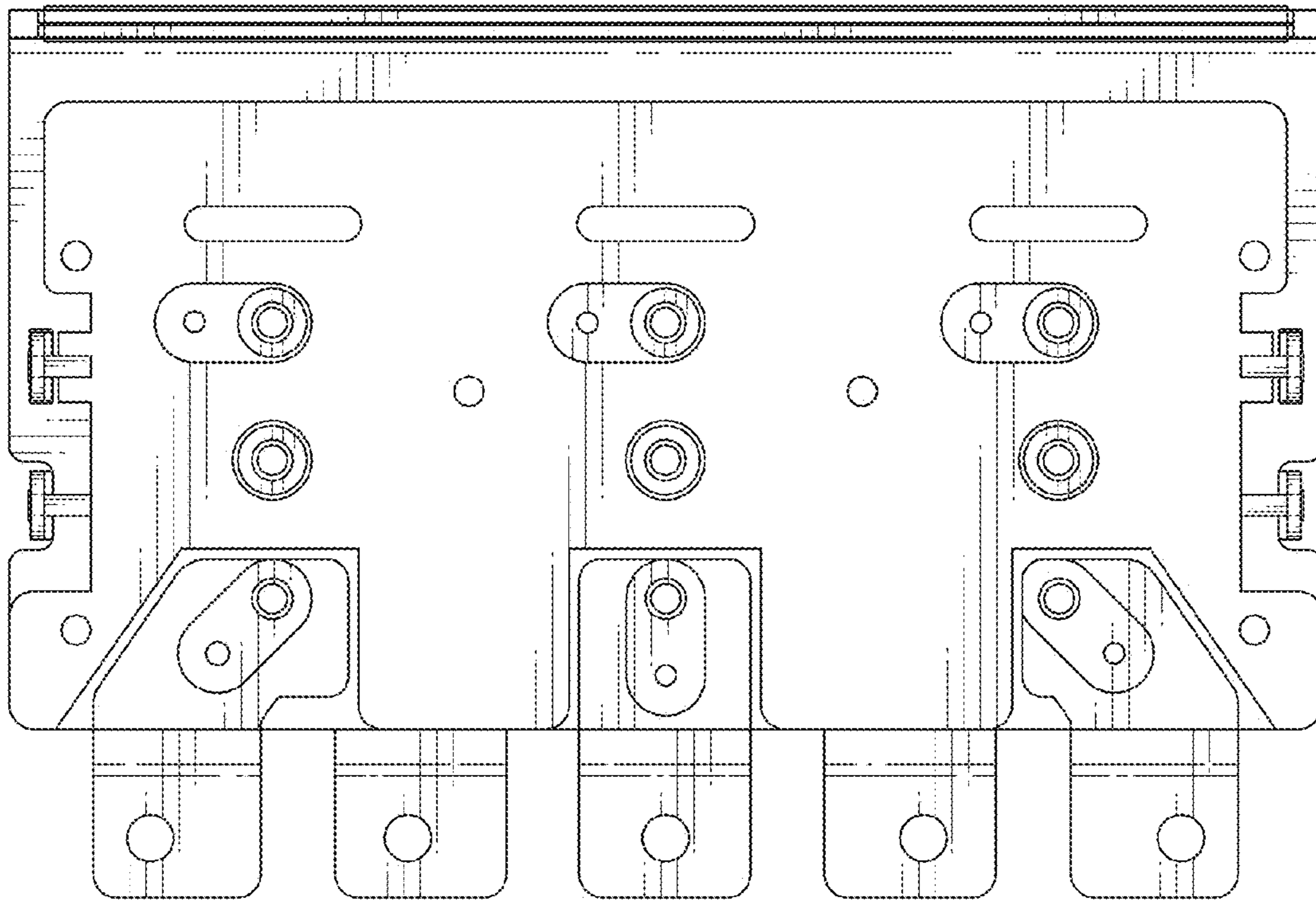


FIG. 6

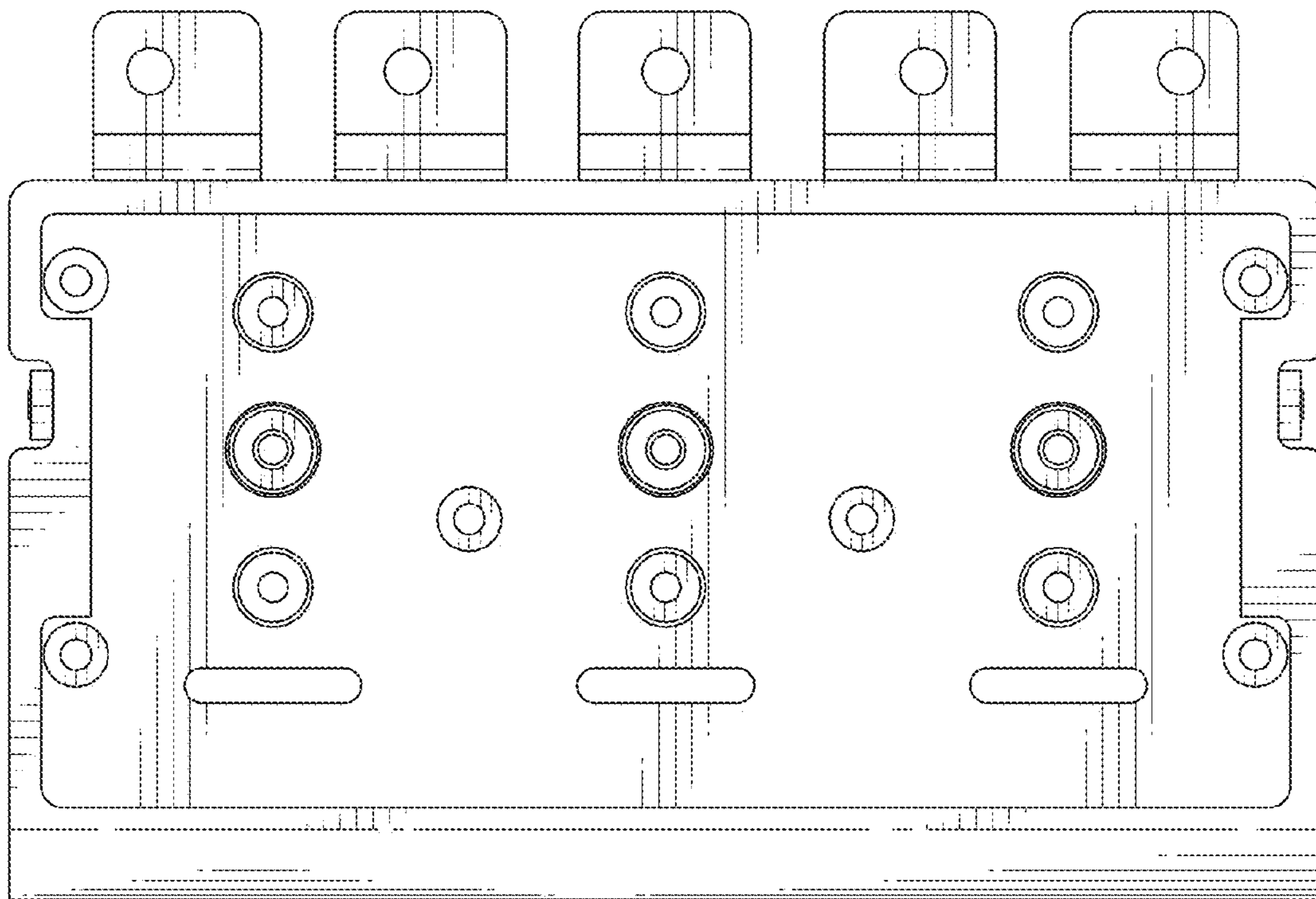


FIG. 7