



US00D743902S

(12) **United States Design Patent**
Murphy et al.

(10) **Patent No.:** **US D743,902 S**

(45) **Date of Patent:** **** Nov. 24, 2015**

(54) **BUSBAR**

(56) **References Cited**

(71) Applicant: **General Electric Company,**
Schenectady, NY (US)

U.S. PATENT DOCUMENTS

(72) Inventors: **Mark Allen Murphy,** Erie, PA (US);
Henry Todd Young, Erie, PA (US);
Jason Daniel Kuttenkuler, Erie, PA
(US); **Jeffrey John Wolff,** Lawrence
Park, PA (US); **Aiqin Jiang,** Shanghai
(CN); **Sean Patrick Cillessen,** Lawrence
Park, PA (US)

D94,298	S	*	1/1935	Frank	D13/155
3,012,218	A	*	12/1961	Cataldo	439/212
D313,392	S	*	1/1991	Sachs	D13/133
D315,548	S	*	3/1991	Kozono et al.	D13/173
D404,707	S	*	1/1999	Awbrey	D13/133
D647,055	S	*	10/2011	Sakae	D13/120

* cited by examiner

Primary Examiner — Daniel Bui
(74) *Attorney, Agent, or Firm* — GE Global Patent
Operation; John A. Kramer

(73) Assignee: **General Electric Company,**
Schenectady, NY (US)

(57) **CLAIM**

The ornamental design for a busbar, as shown and described.

(**) Term: **14 Years**

DESCRIPTION

(21) Appl. No.: **29/510,294**

(22) Filed: **Nov. 26, 2014**

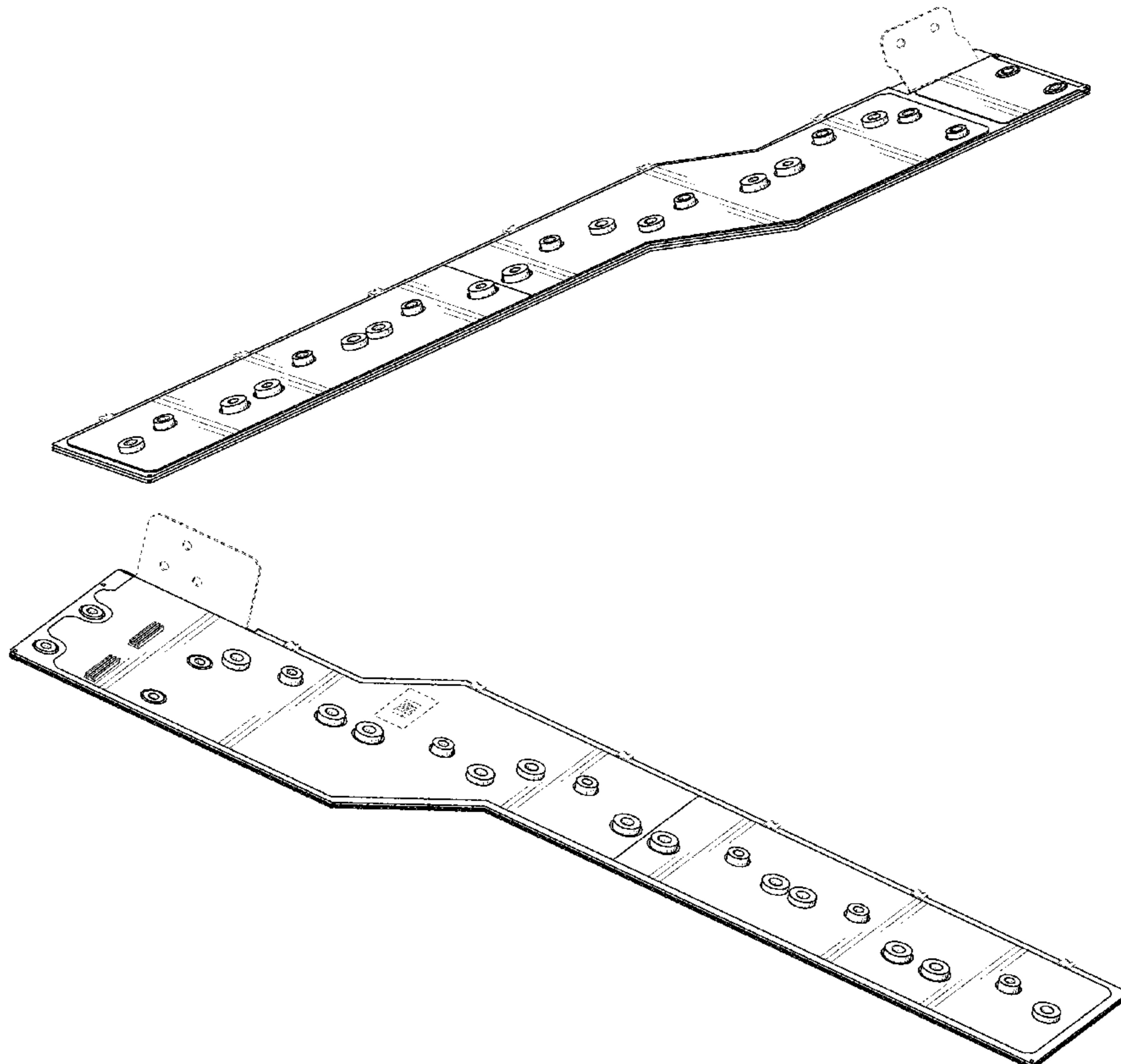
(51) **LOC (10) Cl.** **13-03**

(52) **U.S. Cl.**
USPC **D13/147**

(58) **Field of Classification Search**
USPC D13/146, 147, 154, 184, 199
See application file for complete search history.

FIG. 1 is a top perspective view of a busbar showing our new design;
FIG. 2 is a side elevation view thereof;
FIG. 3 is an opposite side elevation view thereof;
FIG. 4 is a front elevation view thereof;
FIG. 5 is a rear elevation view thereof;
FIG. 6 is a top plan view thereof;
FIG. 7 is a bottom plan view thereof; and,
FIG. 8 is a bottom perspective view thereof.
The broken line portion of the figure drawings is included to show unclaimed subject matter only and forms no part of the claimed designs.

1 Claim, 5 Drawing Sheets



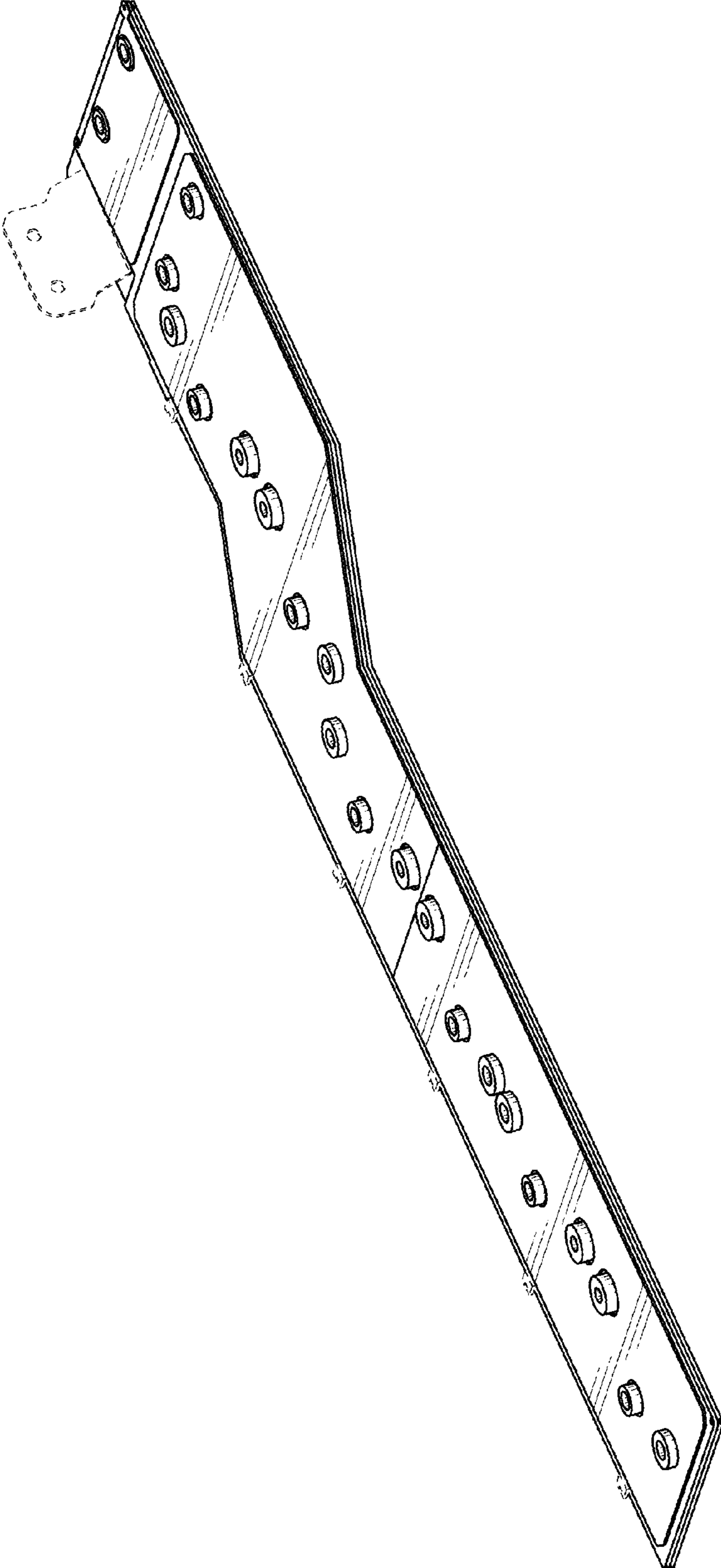


FIG. 1

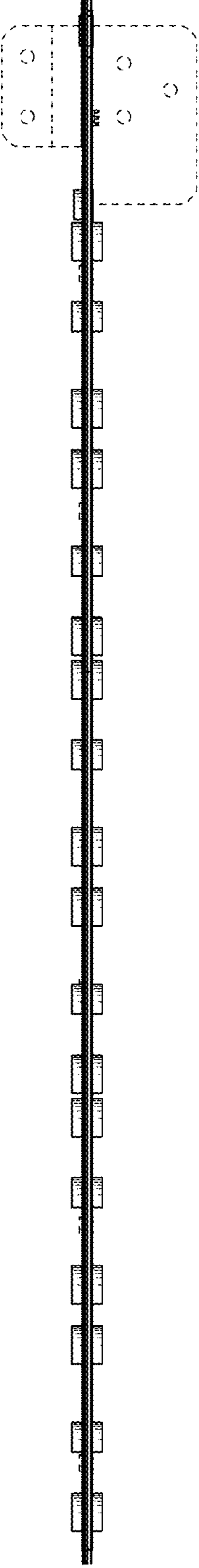


FIG. 2

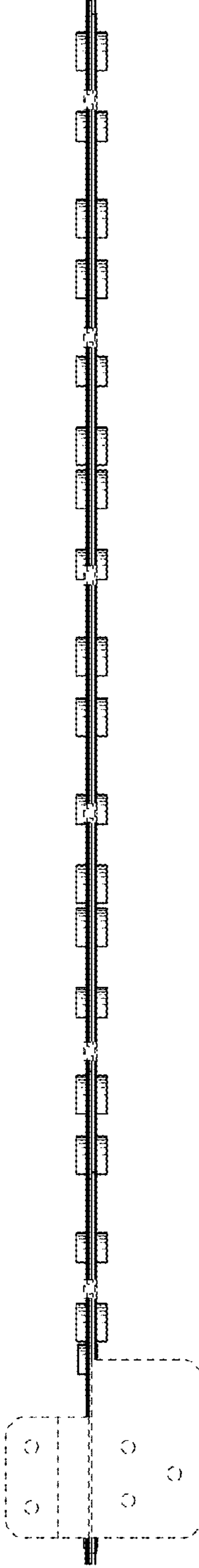


FIG. 3

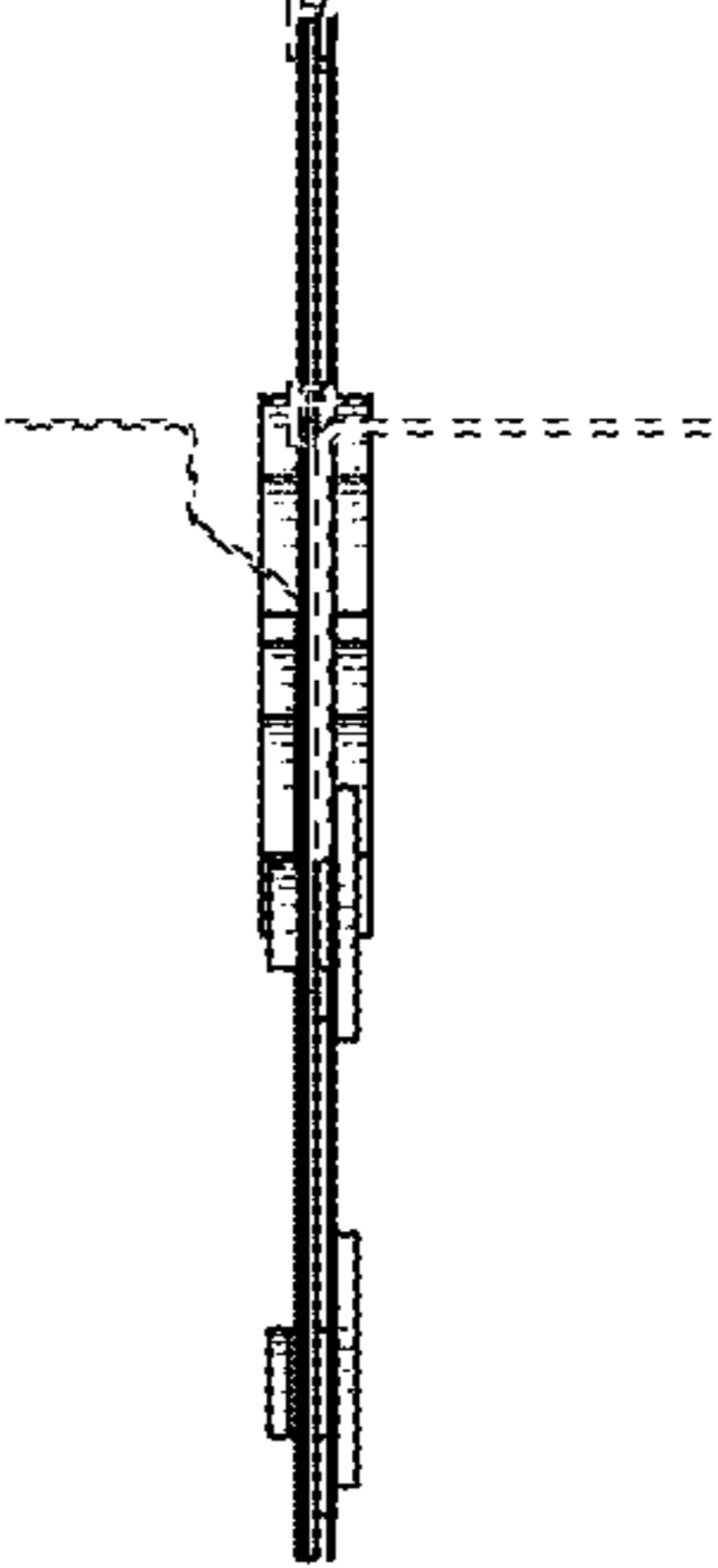


FIG. 4

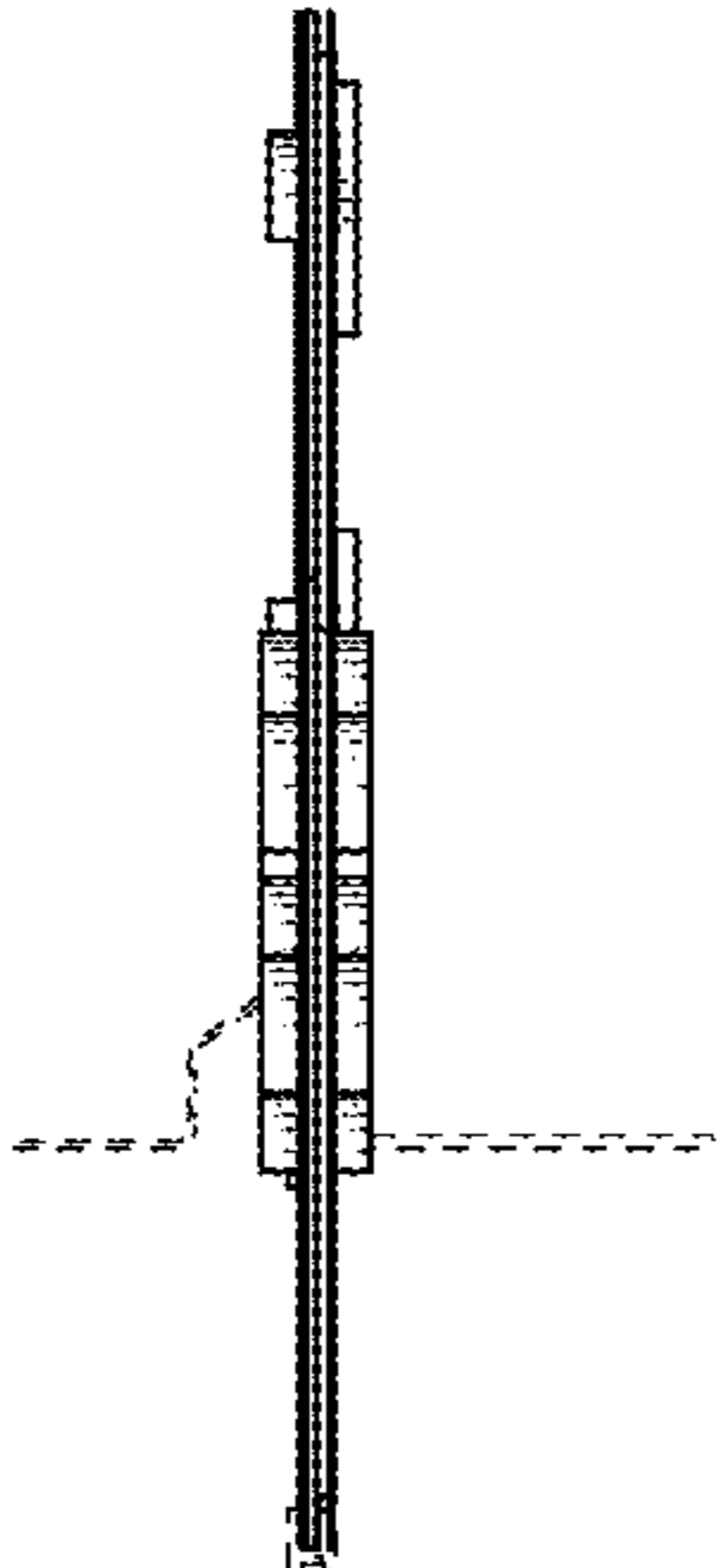


FIG. 5

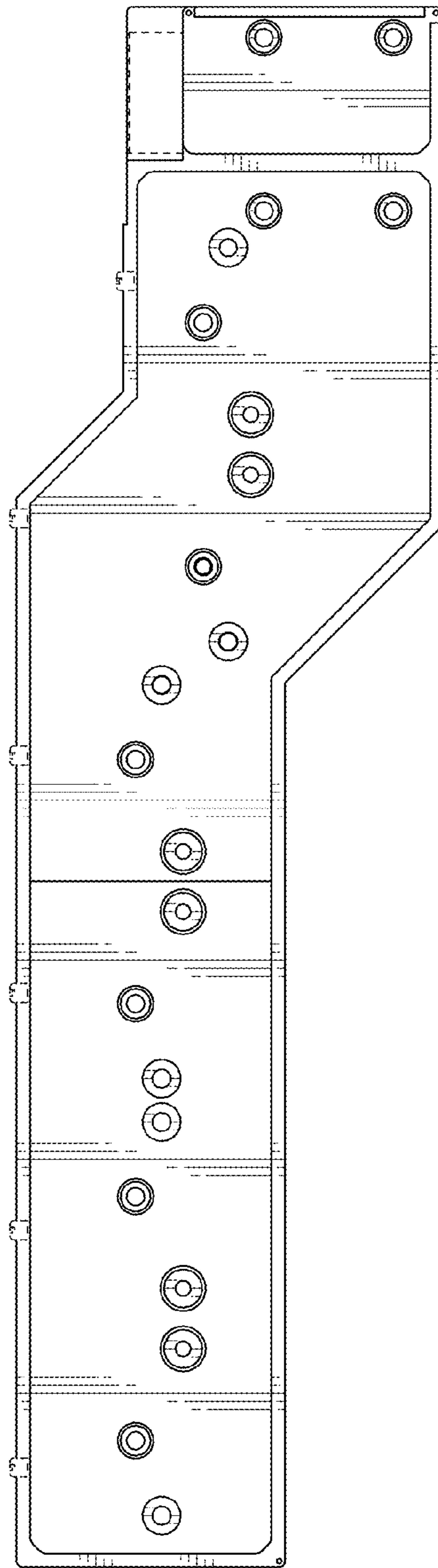


FIG. 6

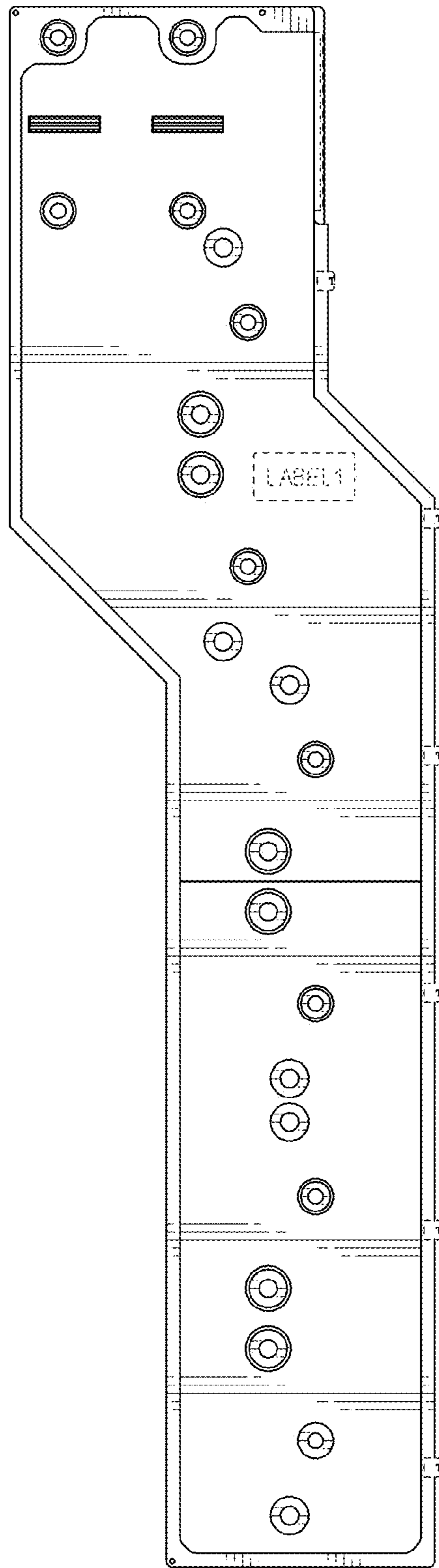


FIG. 7

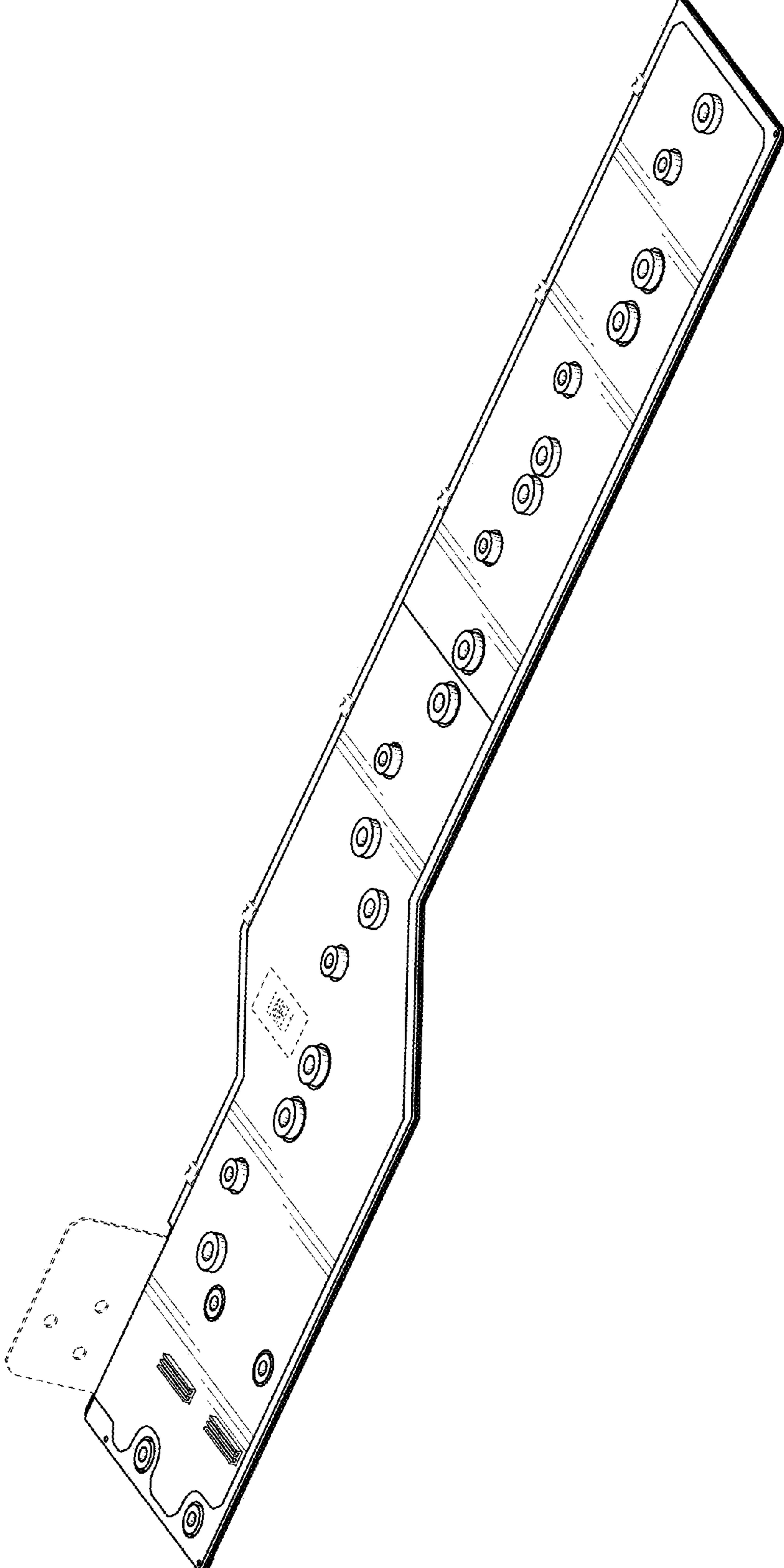


FIG. 8