



US00D743900S

(12) **United States Design Patent**
Murphy et al.

(10) **Patent No.:** **US D743,900 S**

(45) **Date of Patent:** **** Nov. 24, 2015**

(54) **BUSBAR**

(71) Applicant: **General Electric Company,**
Schenectady, NY (US)

(72) Inventors: **Mark Allen Murphy,** Erie, PA (US);
Henry Todd Young, Erie, PA (US);
Jason Daniel Kuttenkuler, Erie, PA
(US); **Sean Patrick Cillessen,** Lawrence
Park, PA (US)

(73) Assignee: **General Electric Company,**
Schenectady, NY (US)

(**) Term: **14 Years**

(21) Appl. No.: **29/510,264**

(22) Filed: **Nov. 26, 2014**

(51) **LOC (10) Cl.** **13-03**

(52) **U.S. Cl.**
USPC **D13/147**

(58) **Field of Classification Search**
USPC D13/146, 147, 154, 184, 199
See application file for complete search history.

(56) **References Cited**

U.S. PATENT DOCUMENTS

D223,668 S * 5/1972 Ulrich D13/120
4,270,019 A * 5/1981 Thye et al. 174/32

5,528,073 A * 6/1996 Gilmore 257/584
D556,686 S * 12/2007 Matsuo et al. D13/110
D636,727 S * 4/2011 Sakae D13/121
2010/0000089 A1* 1/2010 Yang et al. 29/854
2010/0089641 A1* 4/2010 Esmaili et al. 174/70 B
2011/0073345 A1* 3/2011 Sato et al. 174/50

* cited by examiner

Primary Examiner — Daniel Bui

(74) *Attorney, Agent, or Firm* — GE Patent Operation; John
A. Kramer

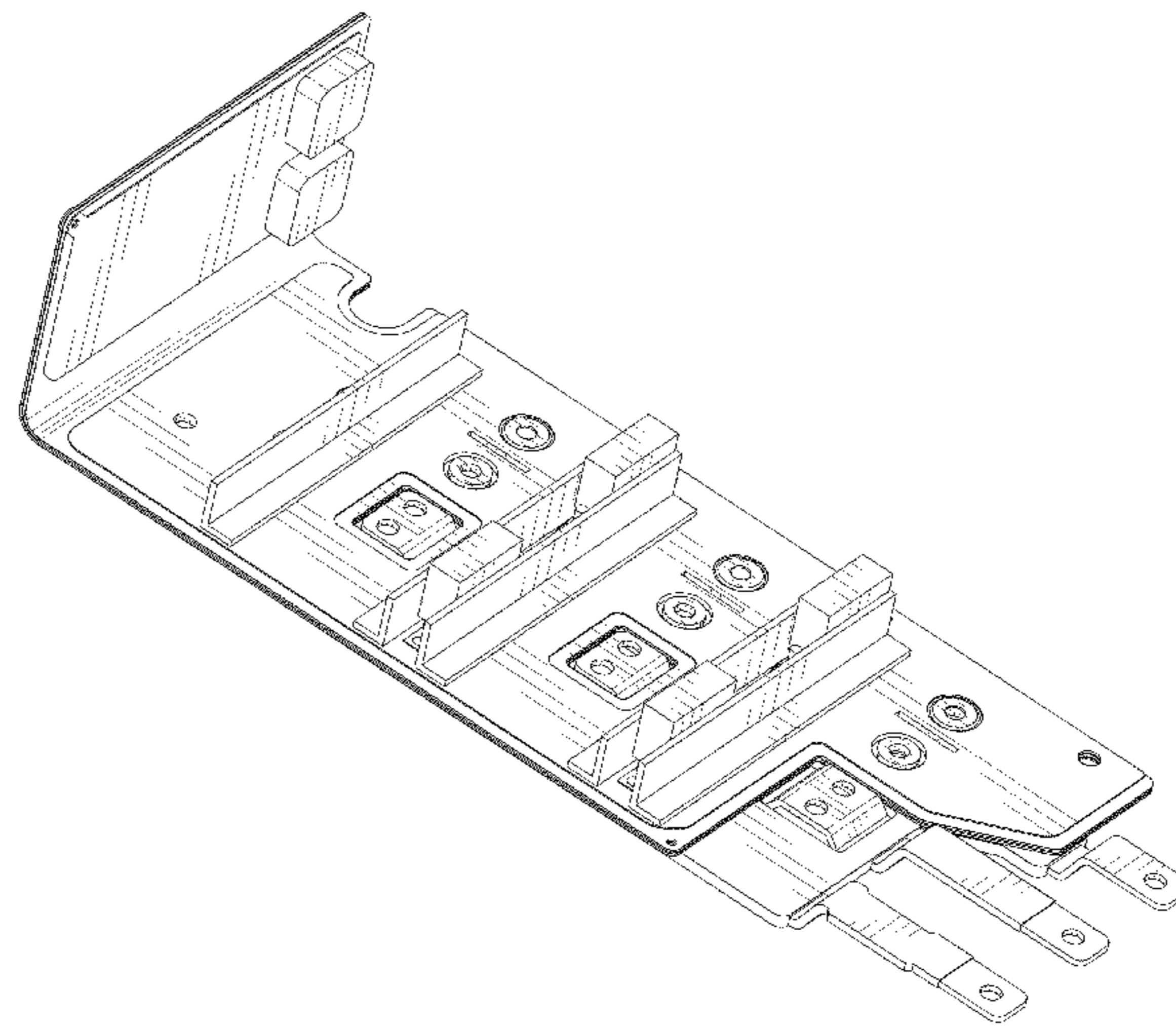
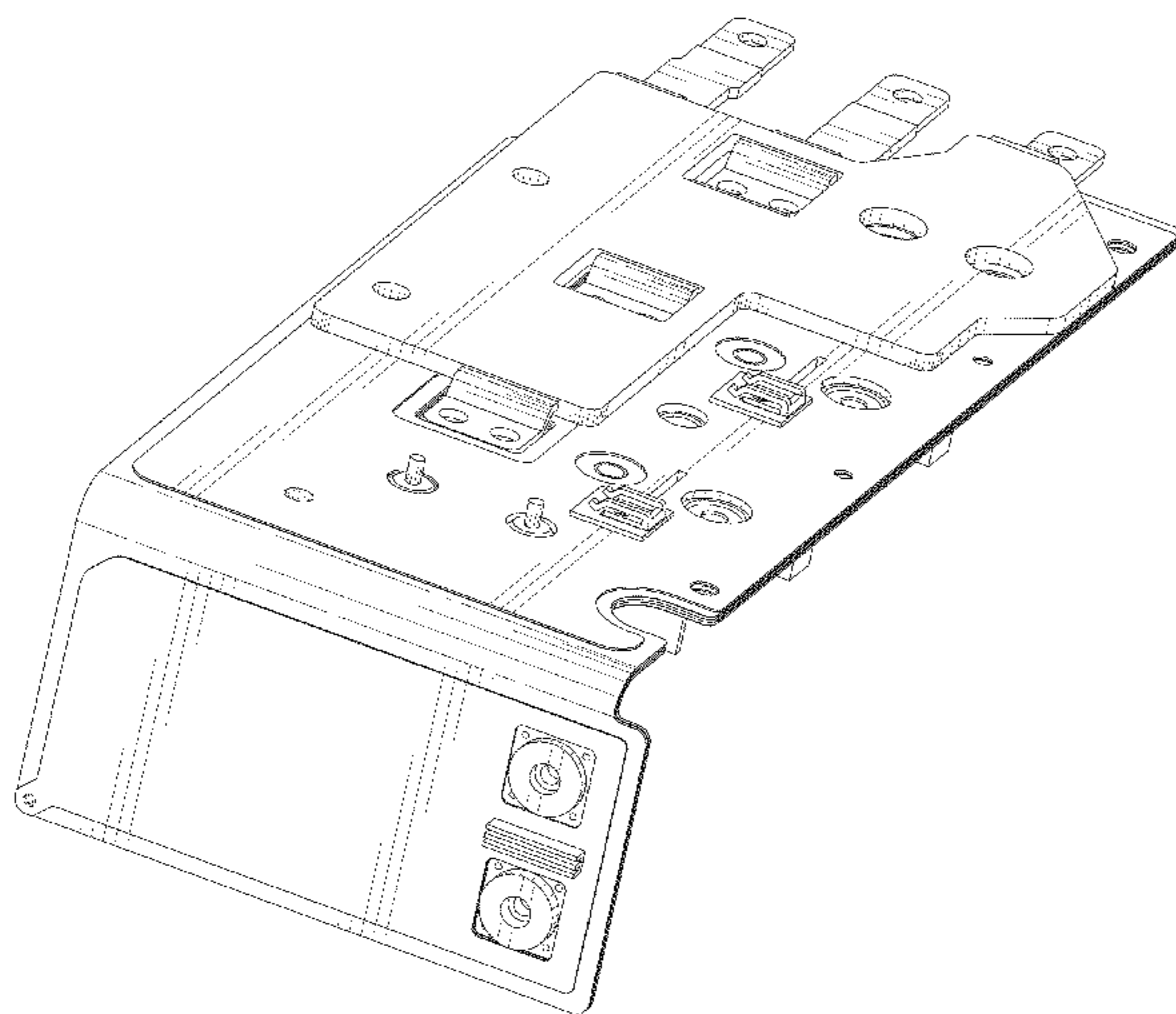
(57) **CLAIM**

The ornamental design for a busbar, as shown and described.

DESCRIPTION

FIG. 1 is a bottom and front perspective view of a busbar showing our new design;
FIG. 2 is a front elevation view thereof;
FIG. 3 is a rear elevation view thereof;
FIG. 4 is a side elevation view thereof;
FIG. 5 is an opposite side elevation view thereof;
FIG. 6 is a bottom plan view thereof;
FIG. 7 is a top plan view thereof; and,
FIG. 8 is a top and rear perspective view thereof.
The broken line portion of the figure drawings is included to show unclaimed subject matter only and forms no part of the claimed designs.

1 Claim, 6 Drawing Sheets



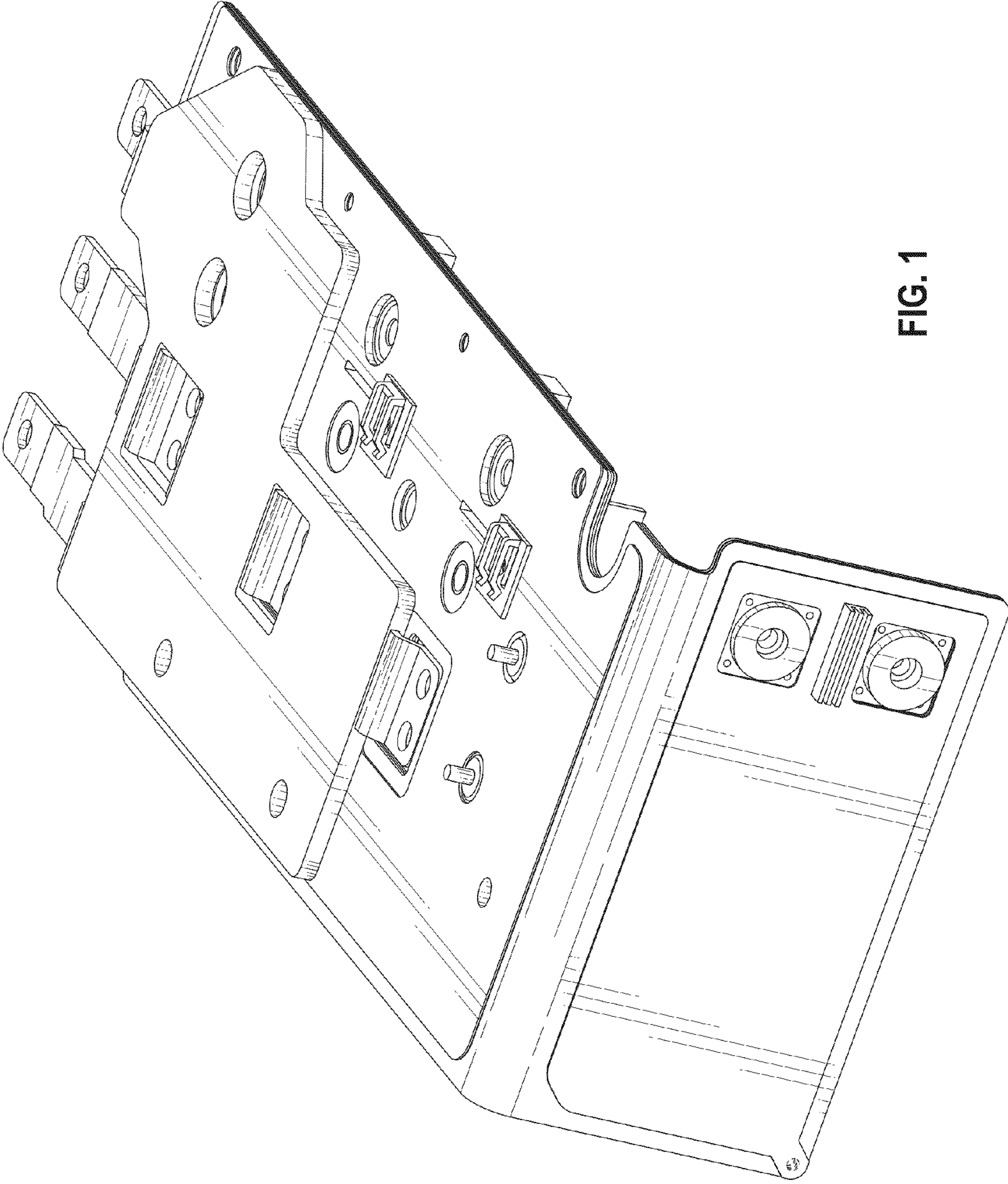


FIG. 1

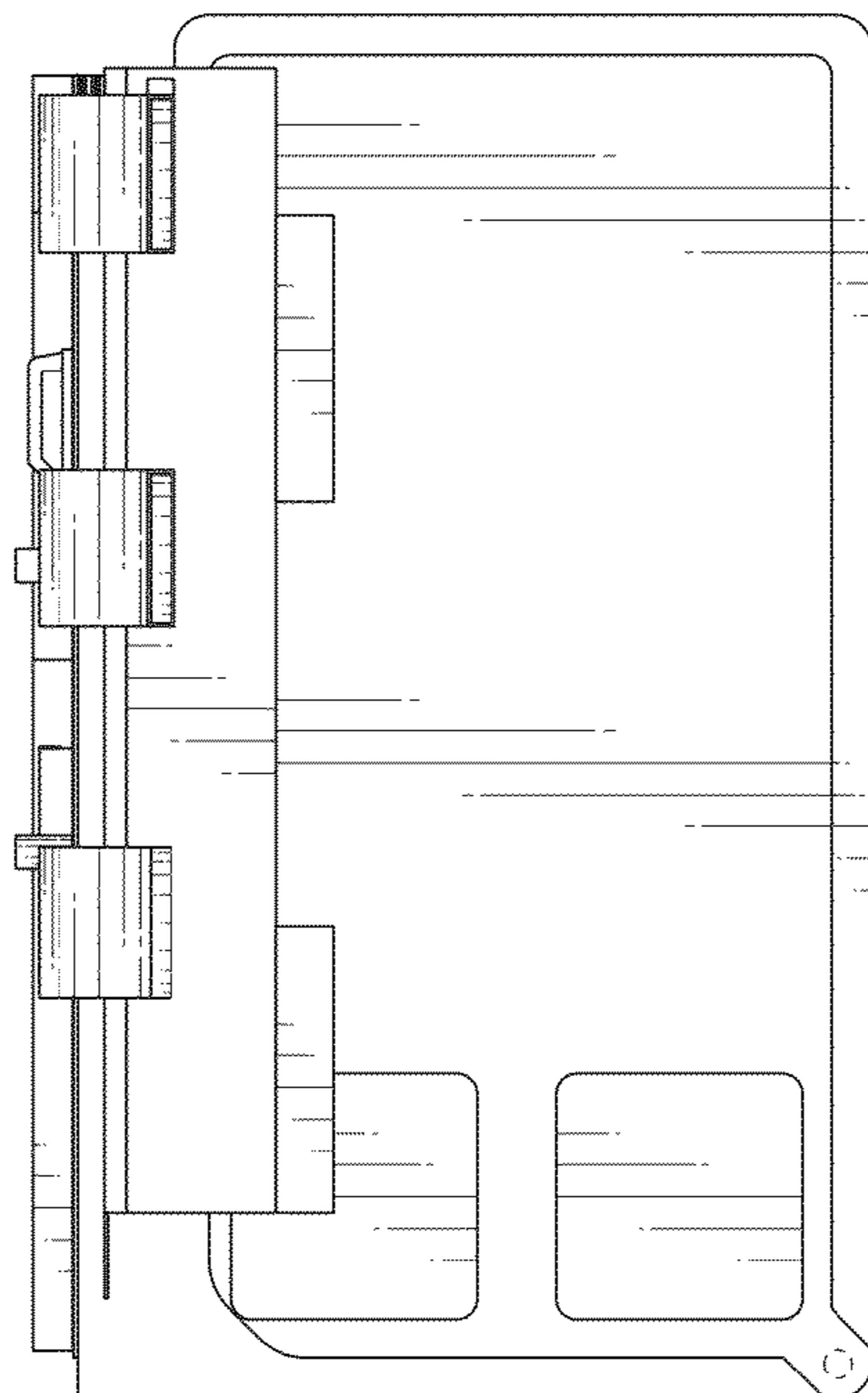


FIG. 3

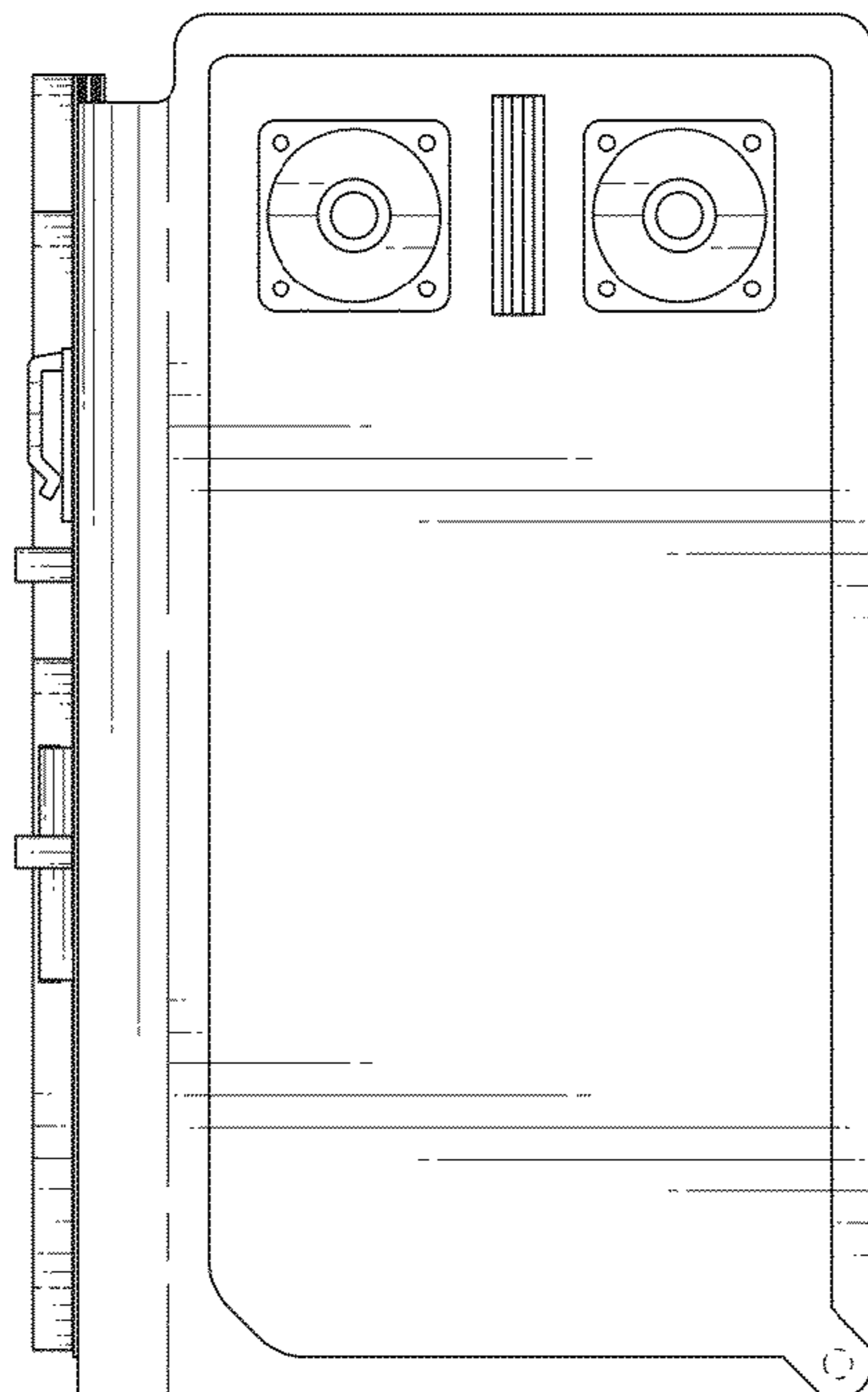


FIG. 2

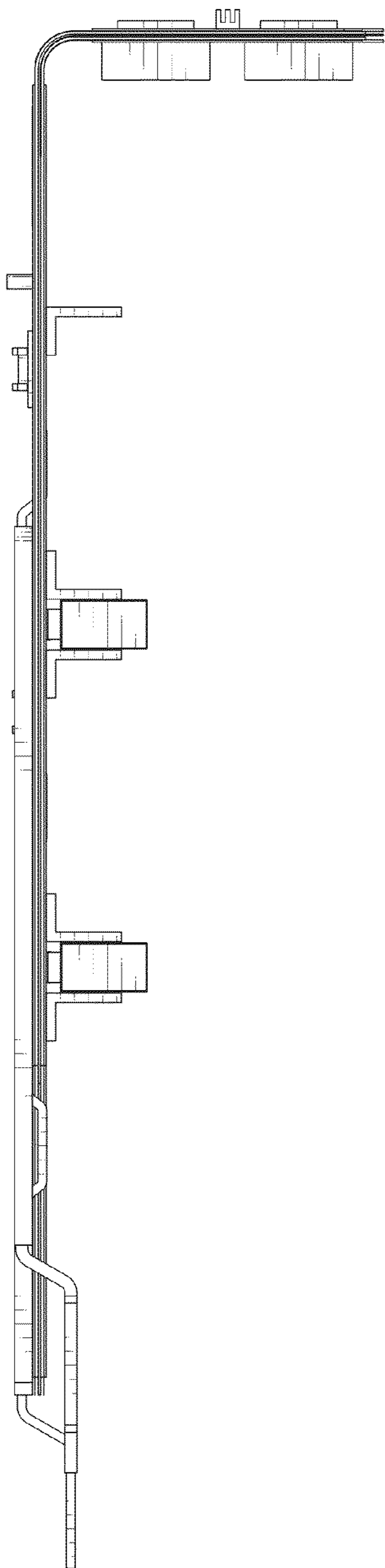


FIG. 4

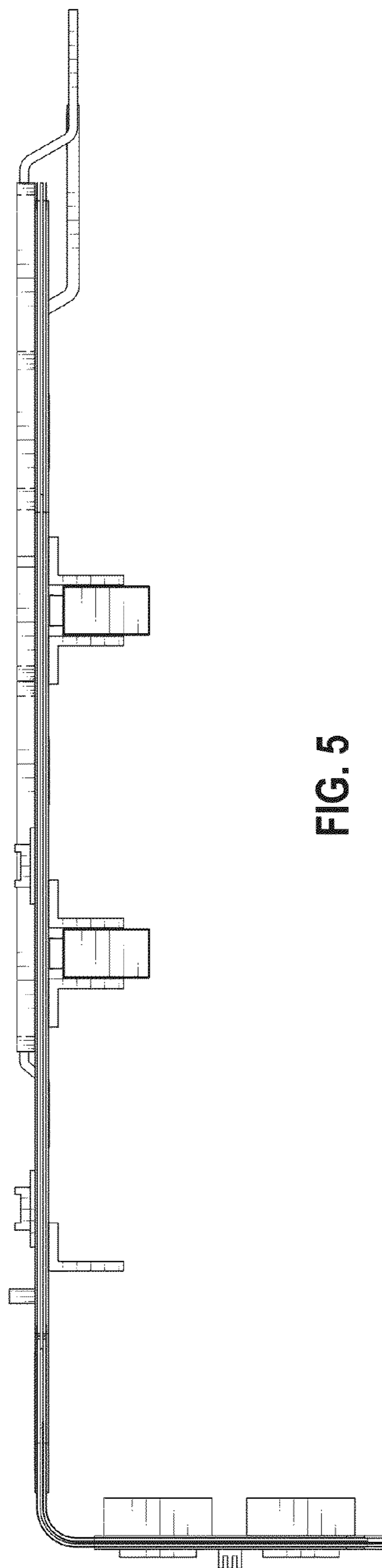


FIG. 5

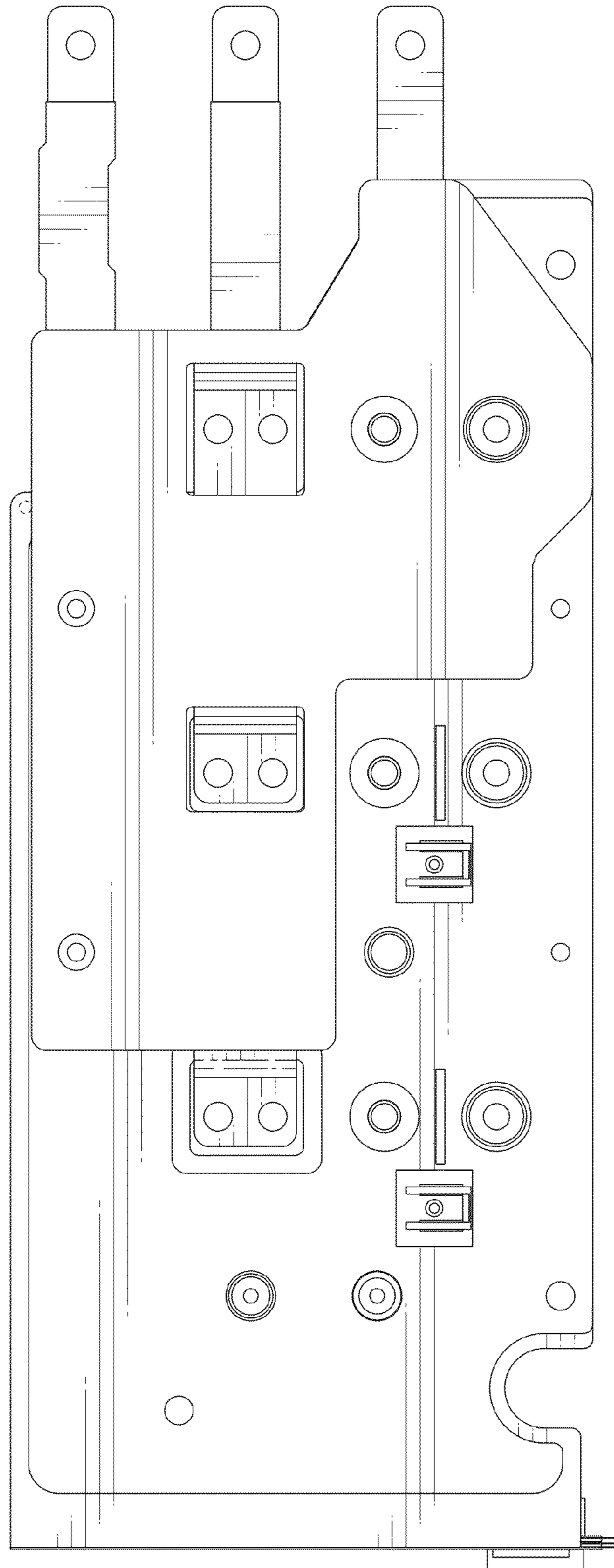


FIG. 6

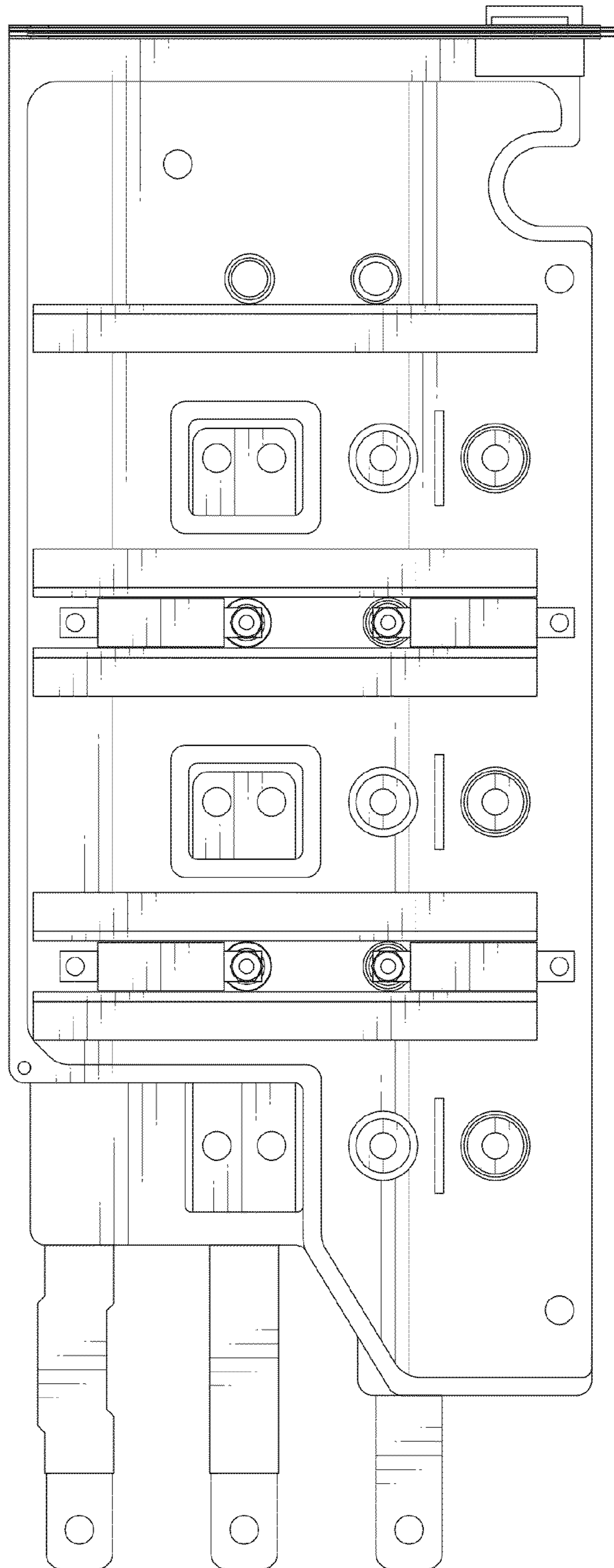


FIG. 7

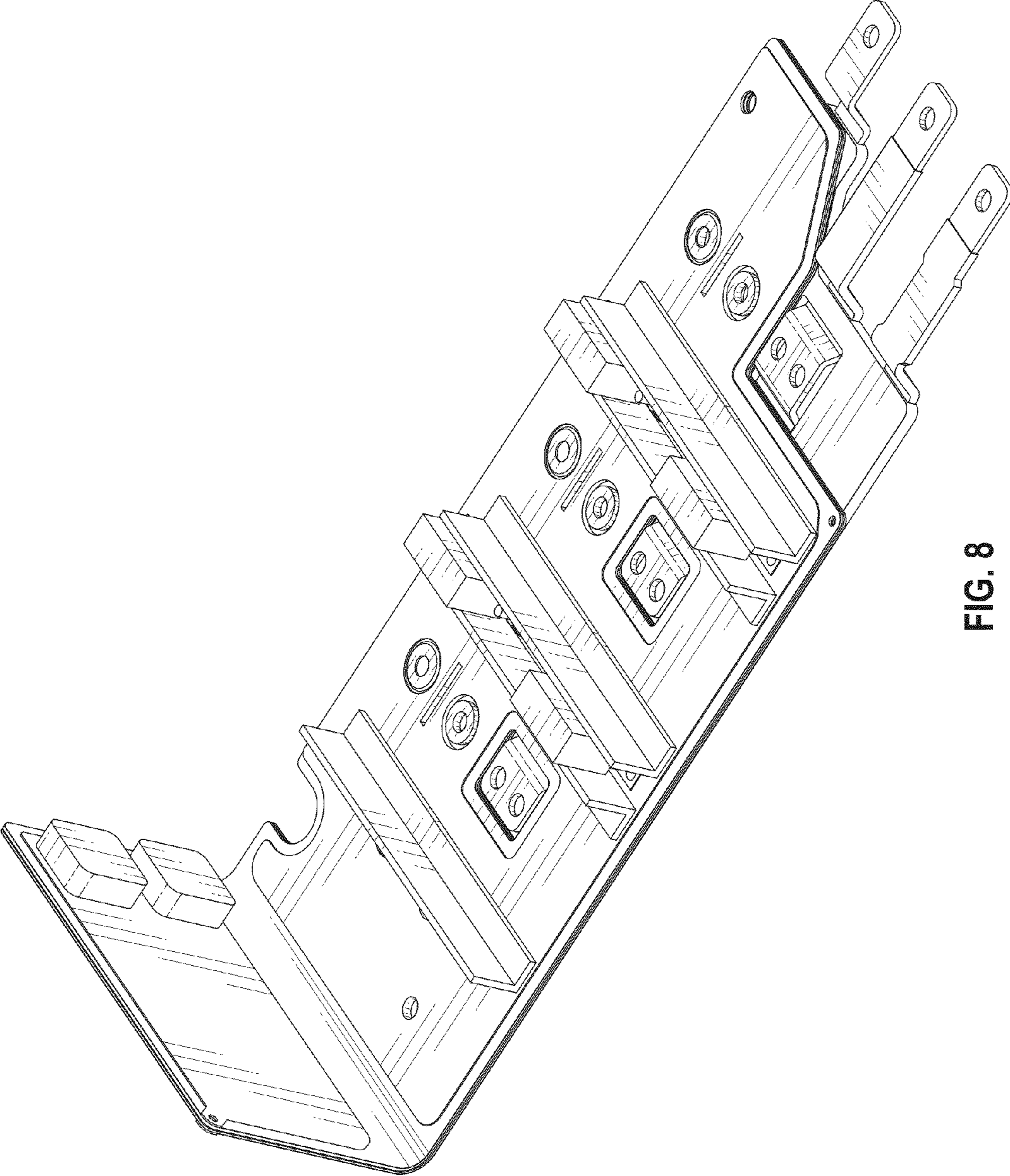


FIG. 8