

US00D743897S

(12) **United States Design Patent**  
**Krivonak et al.**

(10) **Patent No.:** **US D743,897 S**

(45) **Date of Patent:** **\*\* Nov. 24, 2015**

(54) **BUSBAR**

(71) Applicant: **General Electric Company,**  
Schenectady, NY (US)

(72) Inventors: **Andrew Louis Krivonak,** Erie, PA  
(US); **Jason Daniel Kuttenkuler,** Erie,  
PA (US); **Sean Patrick Cillessen,**  
Lawrence Park, PA (US); **Mark Allen**  
**Murphy,** Erie, PA (US)

(73) Assignee: **General Electric Company,**  
Schenectady, NY (US)

(\*\*) Term: **14 Years**

(21) Appl. No.: **29/509,884**

(22) Filed: **Nov. 21, 2014**

(51) **LOC (10) Cl.** ..... **13-03**

(52) **U.S. Cl.**  
USPC ..... **D13/147**

(58) **Field of Classification Search**  
USPC ..... D13/146, 147, 154, 184, 199  
See application file for complete search history.

(56) **References Cited**

U.S. PATENT DOCUMENTS

D317,434 S *	6/1991	McGrane .....	D13/133
2010/0000089 A1 *	1/2010	Yang et al. ....	29/854
2012/0020036 A1 *	1/2012	Matsumoto .....	361/752
2012/0217032 A1 *	8/2012	Beaupre et al. ....	174/32
2014/0111959 A1 *	4/2014	Li et al. ....	361/809

\* cited by examiner

*Primary Examiner* — Daniel Bui

(74) *Attorney, Agent, or Firm* — GE Global Patent  
Operation; John A. Kramer

(57) **CLAIM**

The ornamental design for a busbar, as shown and described.

**DESCRIPTION**

FIG. 1 is a top and front perspective view of a busbar showing  
our new design;

FIG. 2 is a front elevation view thereof;

FIG. 3 is a rear elevation view thereof;

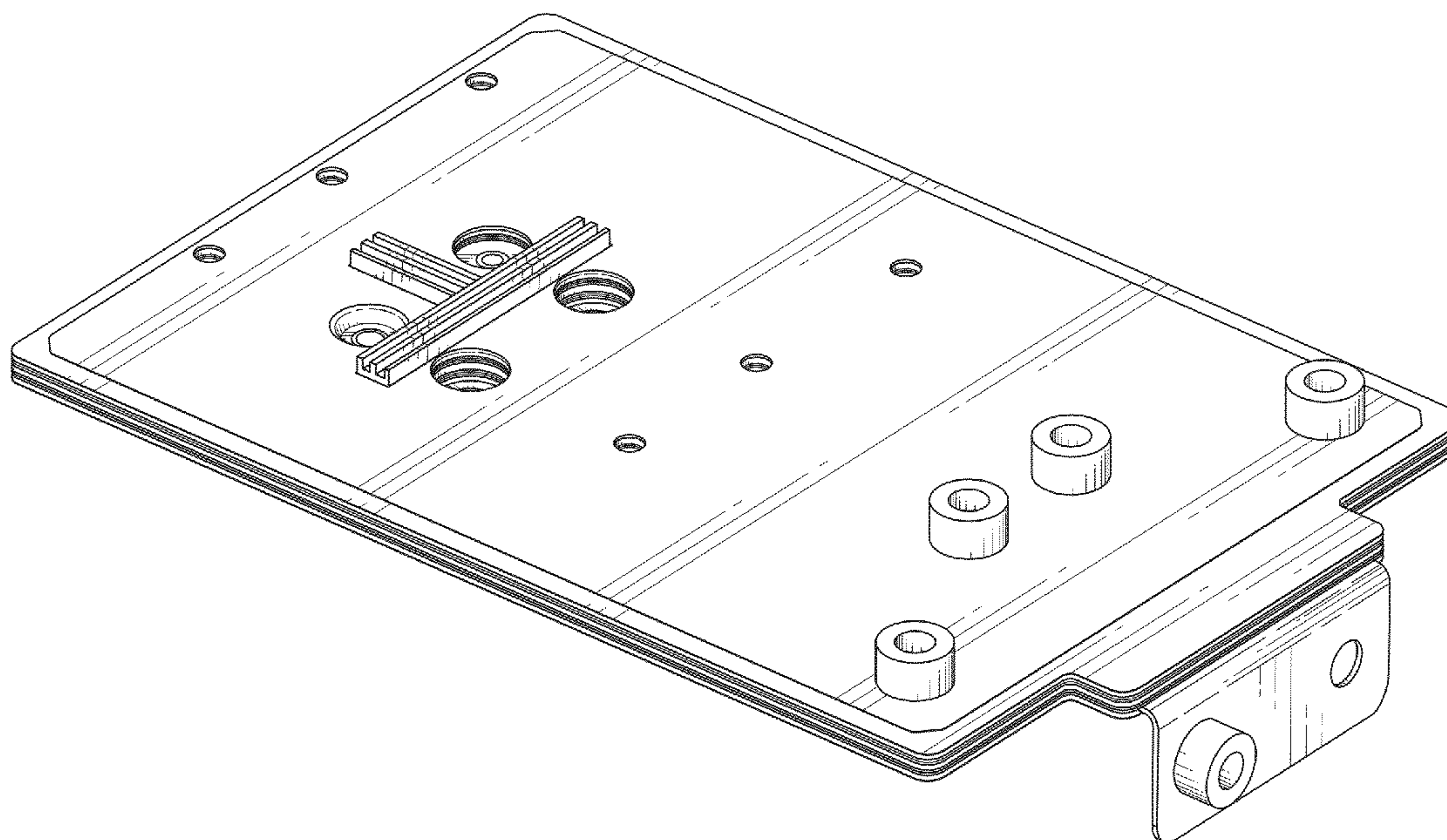
FIG. 4 is a side elevation view thereof;

FIG. 5 is an opposite side elevation view thereof;

FIG. 6 is a top plan view thereof; and,

FIG. 7 is a bottom plan view thereof.

**1 Claim, 4 Drawing Sheets**



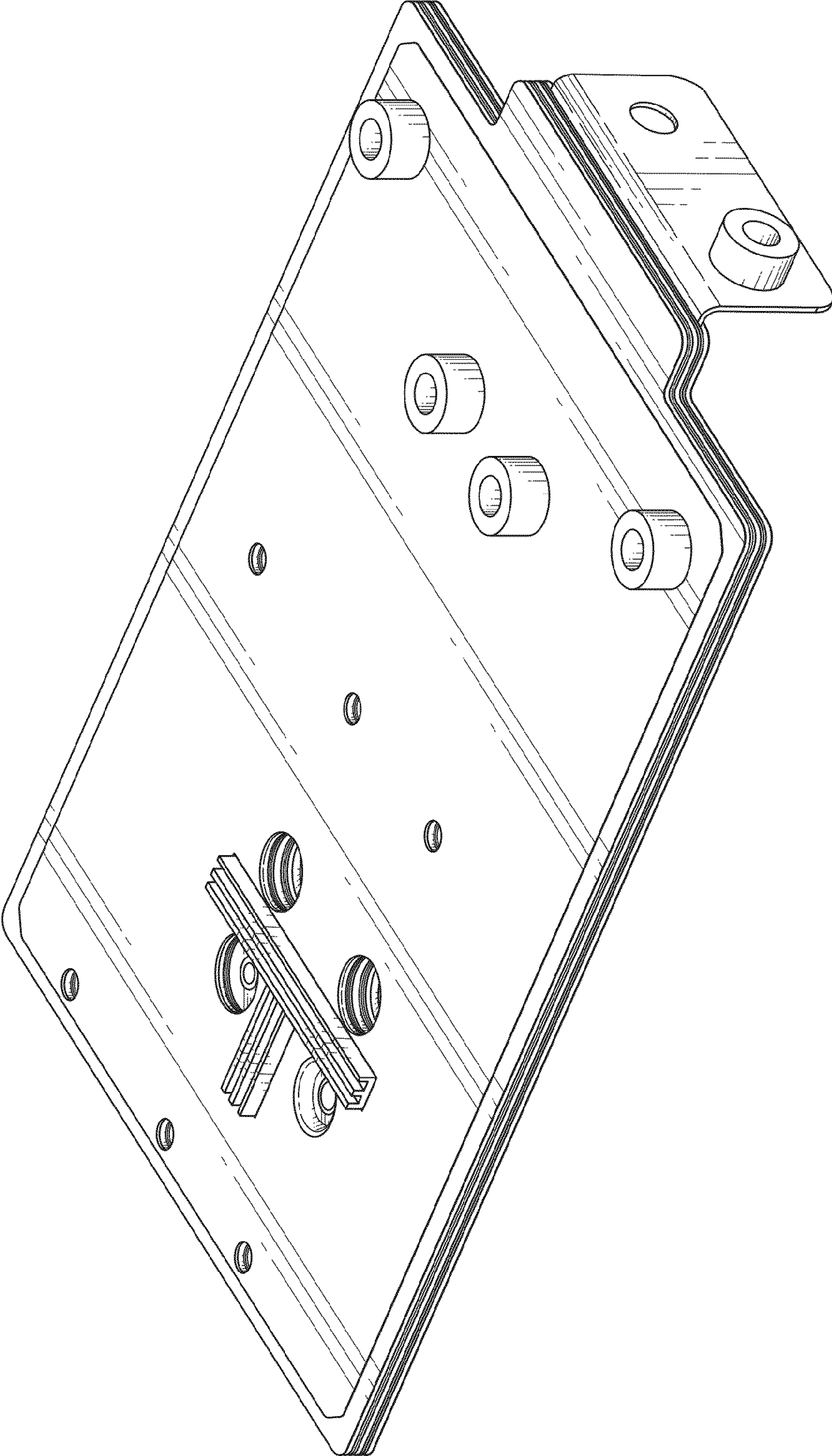


FIG. 1

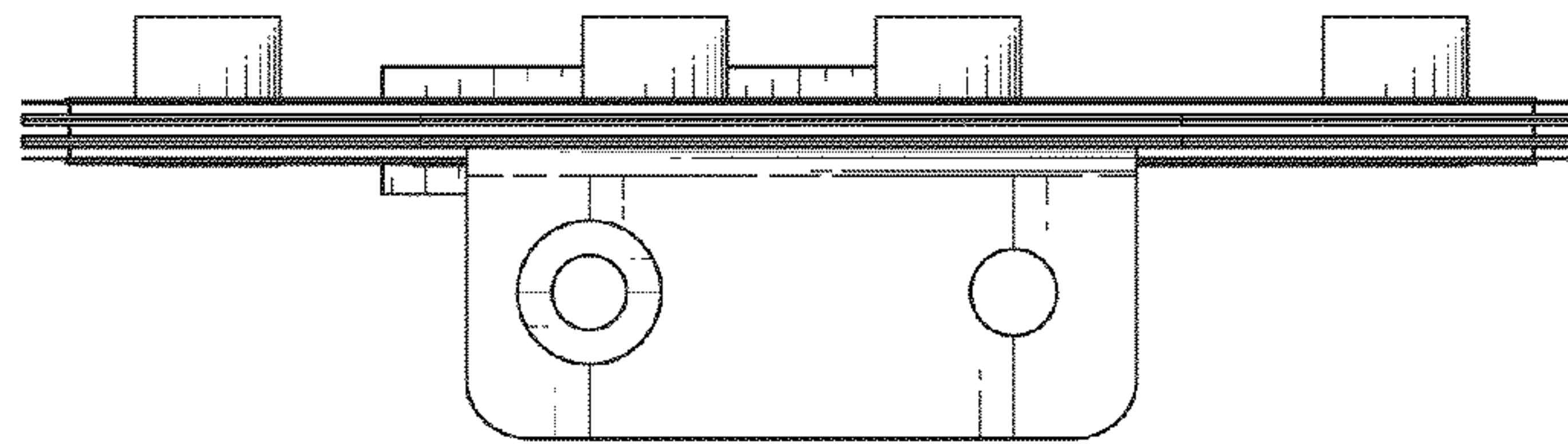


FIG. 2

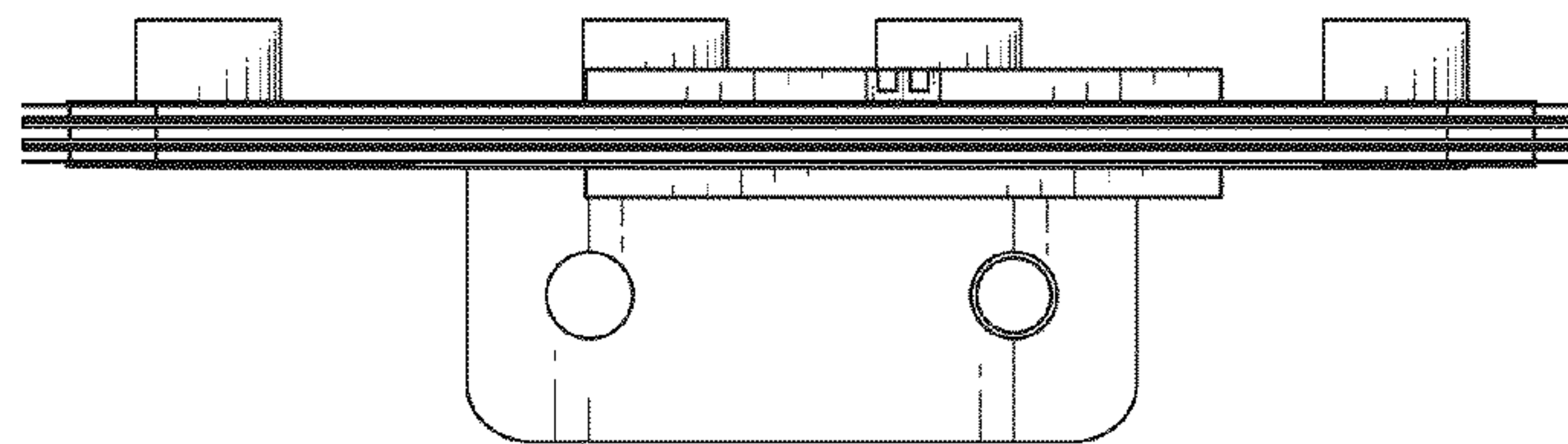


FIG. 3



FIG. 4



FIG. 5



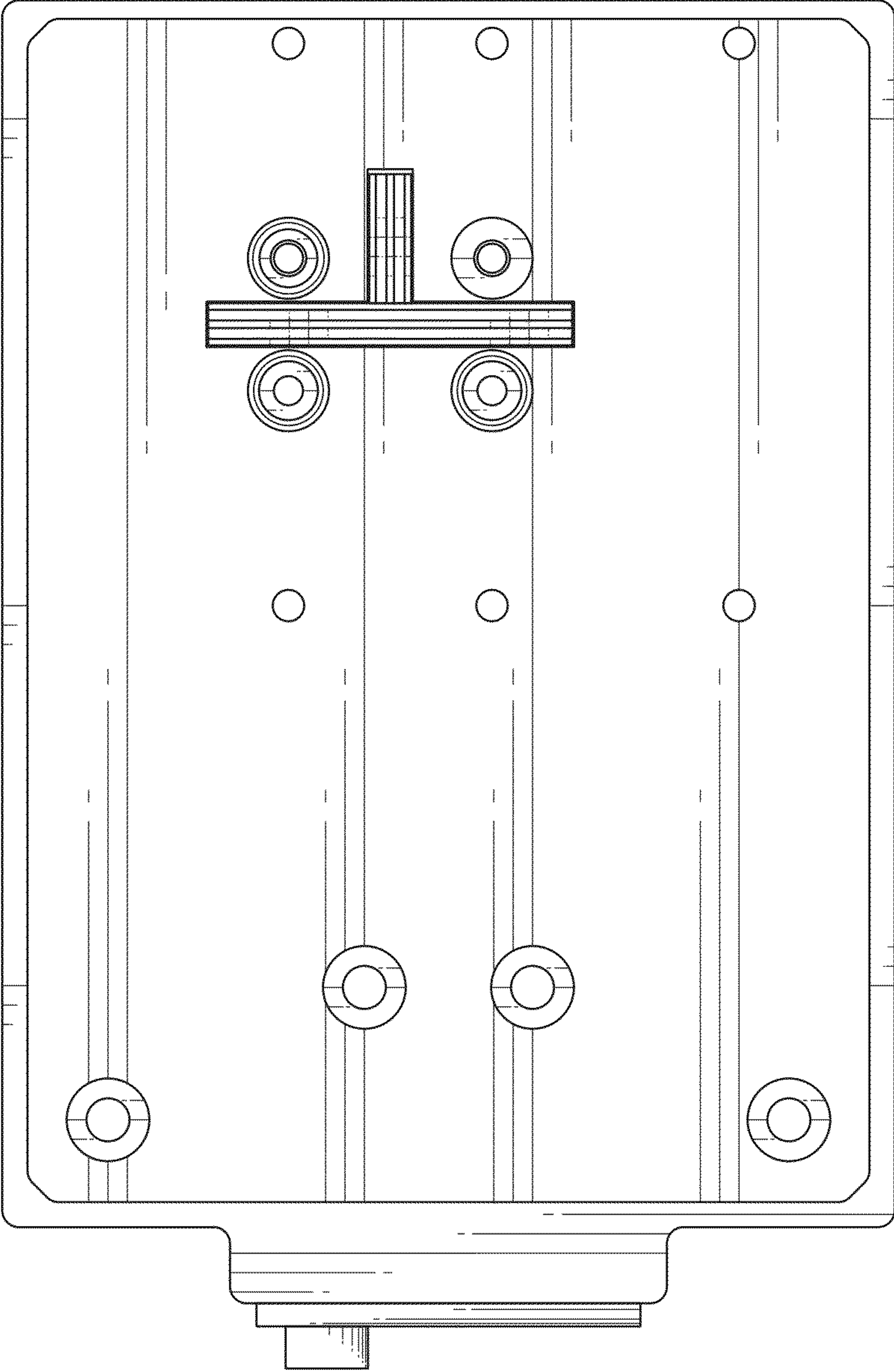


FIG. 6

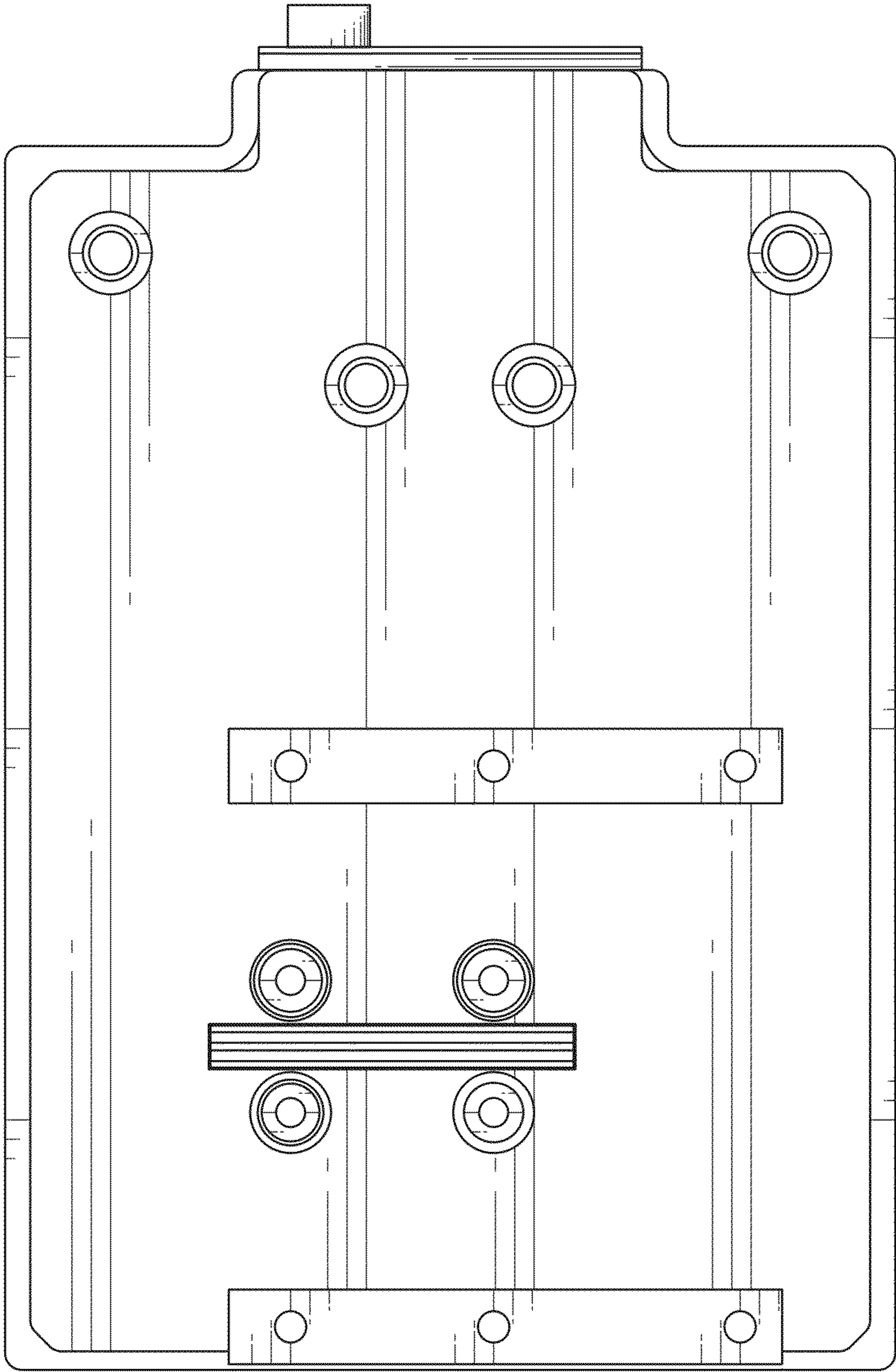


FIG. 7