



US00D743894S

(12) **United States Design Patent**
Tu et al.

(10) **Patent No.:** **US D743,894 S**
(45) **Date of Patent:** **** Nov. 24, 2015**

(54) **CONNECTOR**

(75) Inventors: **Chih-Wei Tu**, Taoyuan County (TW);
I-Cheng Chuang, Taoyuan County (TW)

(73) Assignee: **HTC Corporation**, Taoyuan (TW)

(**) Term: **14 Years**

(21) Appl. No.: **29/429,291**

(22) Filed: **Aug. 9, 2012**

(51) **LOC (10) Cl.** **13-03**

(52) **U.S. Cl.**
USPC **D13/147**

(58) **Field of Classification Search**
USPC D13/147, 154, 184, 199; 439/79, 108,
439/180, 246, 374, 378, 488, 527, 529, 530,
439/533, 567, 607.1, 607.4, 607.5, 607.17,
439/607.25, 607.34, 607.41, 607.53, 668,
439/680, 892, 894

See application file for complete search history.

(56) **References Cited**

U.S. PATENT DOCUMENTS

D478,050 S *	8/2003	Nishio et al.	D13/147
D523,813 S *	6/2006	He et al.	D13/147
D550,160 S *	9/2007	Fujimoto	D13/147
D599,294 S *	9/2009	Yang et al.	D13/147
D618,625 S *	6/2010	Nagata et al.	D13/147
D637,559 S *	5/2011	Wada et al.	D13/147
D637,958 S *	5/2011	Asano et al.	D13/147
D639,245 S *	6/2011	Wada et al.	D13/147

FOREIGN PATENT DOCUMENTS

CN	2543241	4/2003
CN	101555612	10/2009
CN	101555613	10/2009
CN	102544884	7/2012
JP	3248484	1/2002

TW	D142630	9/2011
TW	201134343	10/2011
TW	D143178	10/2011

OTHER PUBLICATIONS

“Office Action of Taiwan Counterpart Application”, issued on May 27, 2014, p1-p4, in which the listed references were cited.

“Office Action of China Counterpart Application”, issued on Apr. 3, 2015, p1-p7, in which the listed references were cited.

“Office Action of Taiwan Counterpart Application”, issued on Aug. 19, 2014, p1-p6, in which the listed references were cited.

* cited by examiner

Primary Examiner — Daniel Bui

(74) *Attorney, Agent, or Firm* — Jianq Chyun IP Office

(57) **CLAIM**

The ornamental design for a connector, as shown and described.

DESCRIPTION

The patent or application file contains at least one drawing executed in color. Copies of this patent or patent application publication with color drawings) will be provided by the United States Patent and Trademark Office upon request and payment of the necessary fee.

FIG. 1 is a front, top, and left side perspective view of a connector showing our new design;

FIG. 2 is a rear, top, and left side perspective view thereof;

FIG. 3 is a front elevation view thereof;

FIG. 4 is a rear elevation view thereof;

FIG. 5 is a left side elevation view thereof;

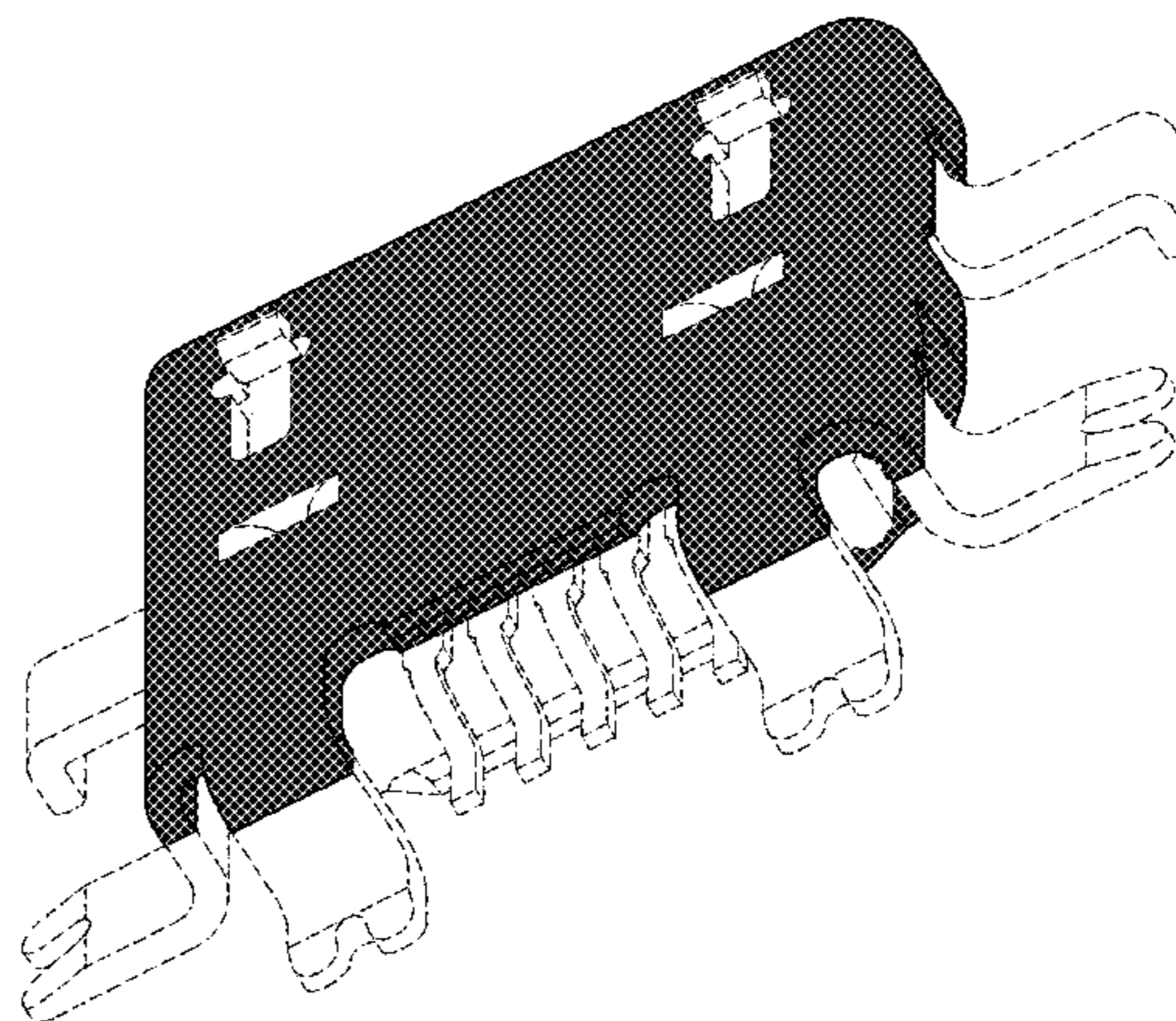
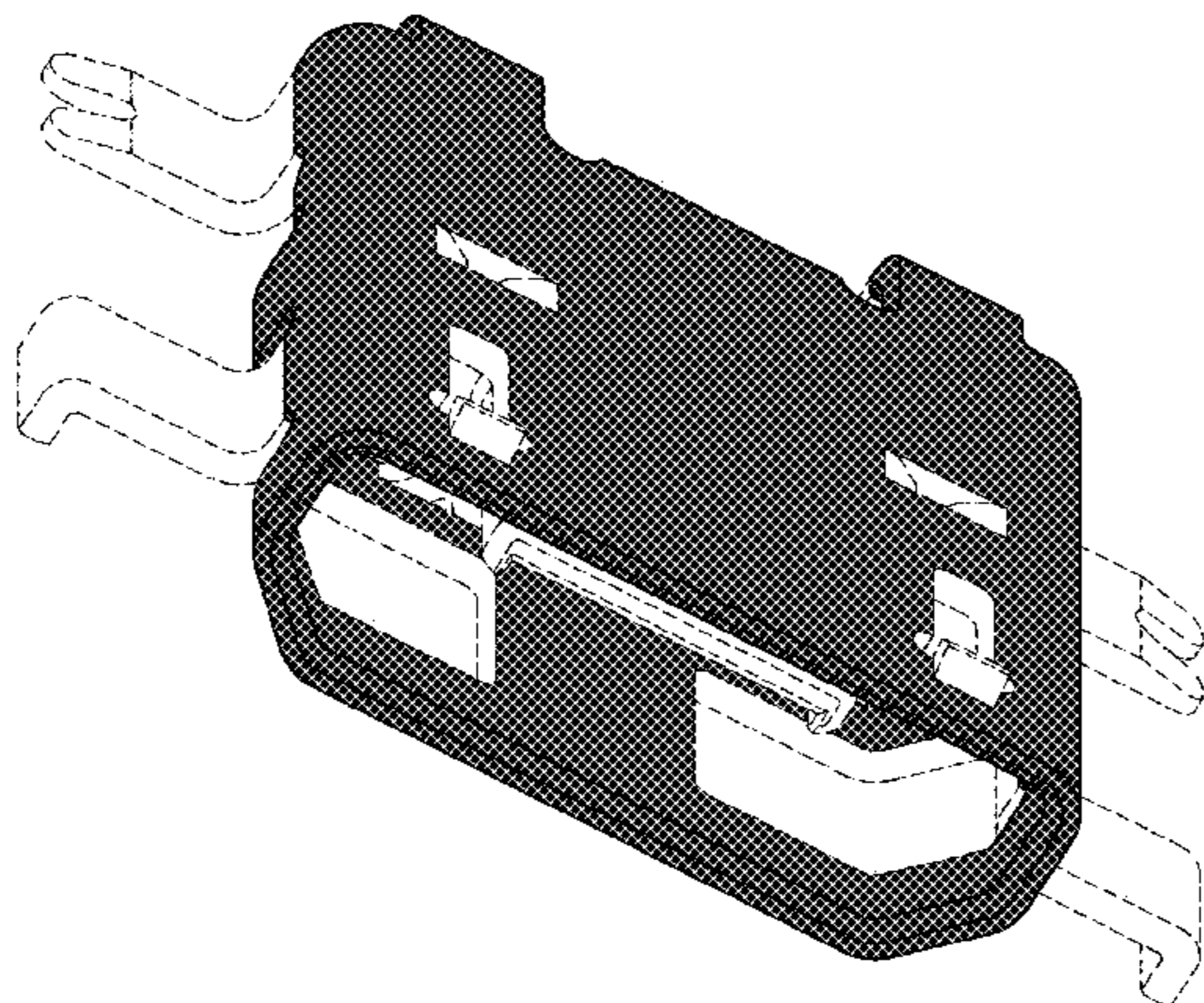
FIG. 6 is a right side elevation view thereof;

FIG. 7 is a top plan view thereof; and,

FIG. 8 is a bottom plan view thereof.

The broken line in the figure drawing views is included to show unclaimed environment only and forms no part of the claimed design.

1 Claim, 8 Drawing Sheets
(8 of 8 Drawing Sheet(s) Filed in Color)



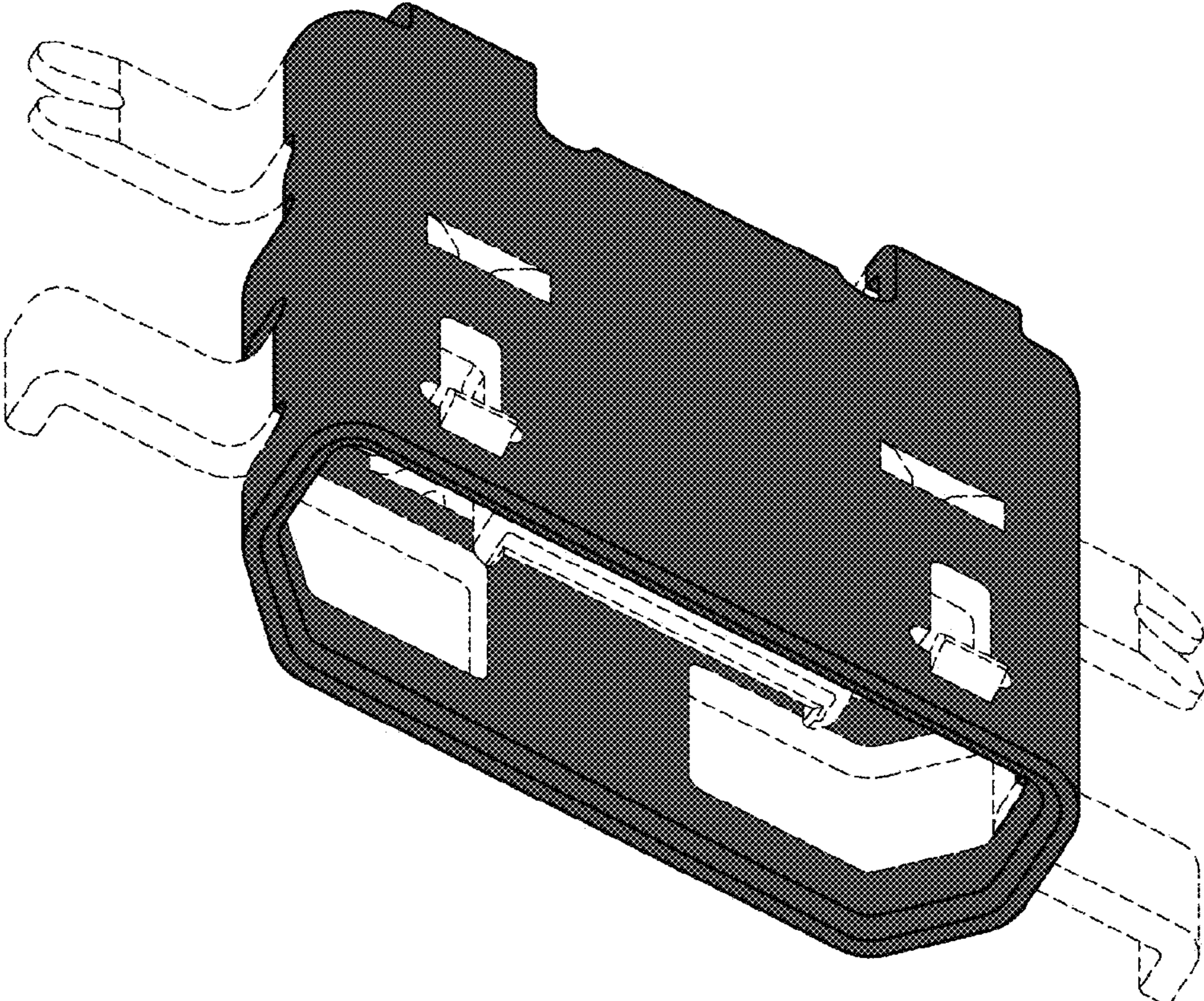


FIG. 1

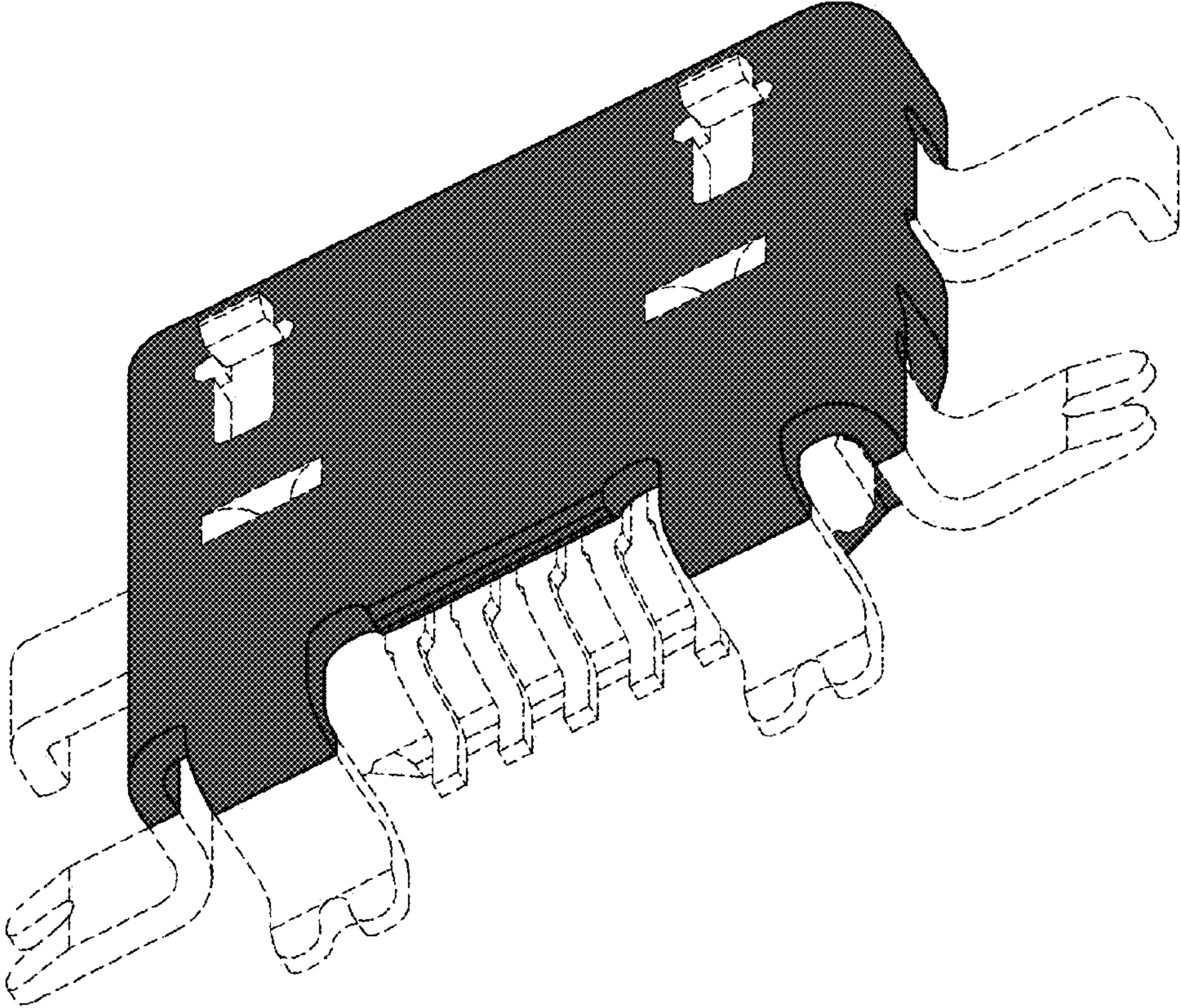


FIG. 2

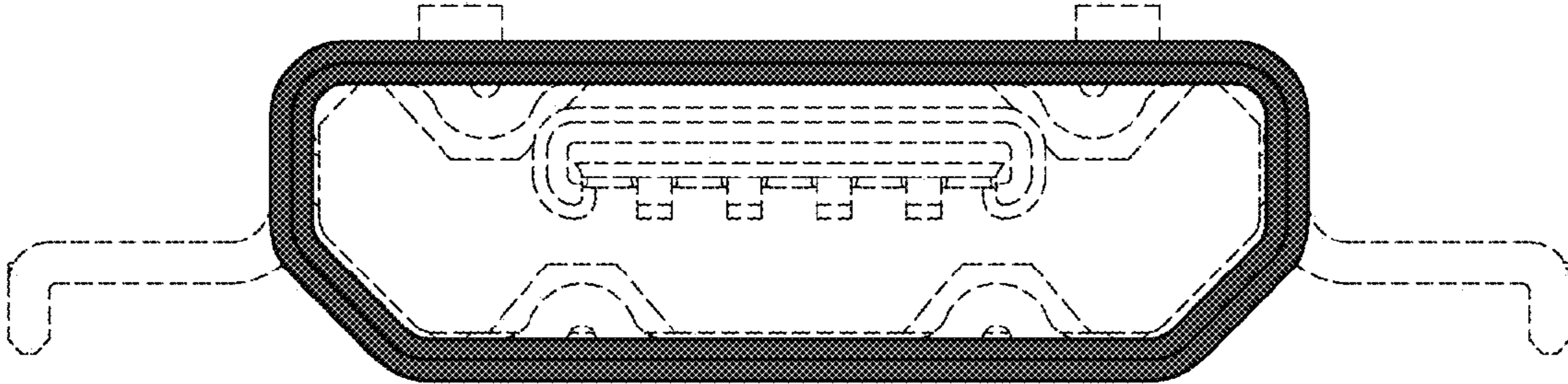


FIG. 3

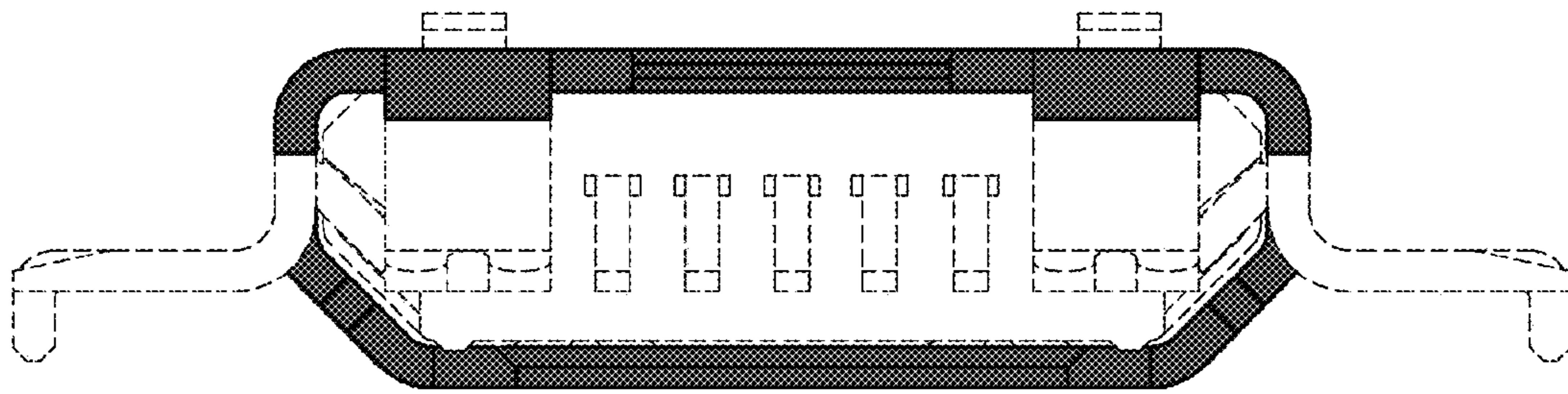


FIG. 4

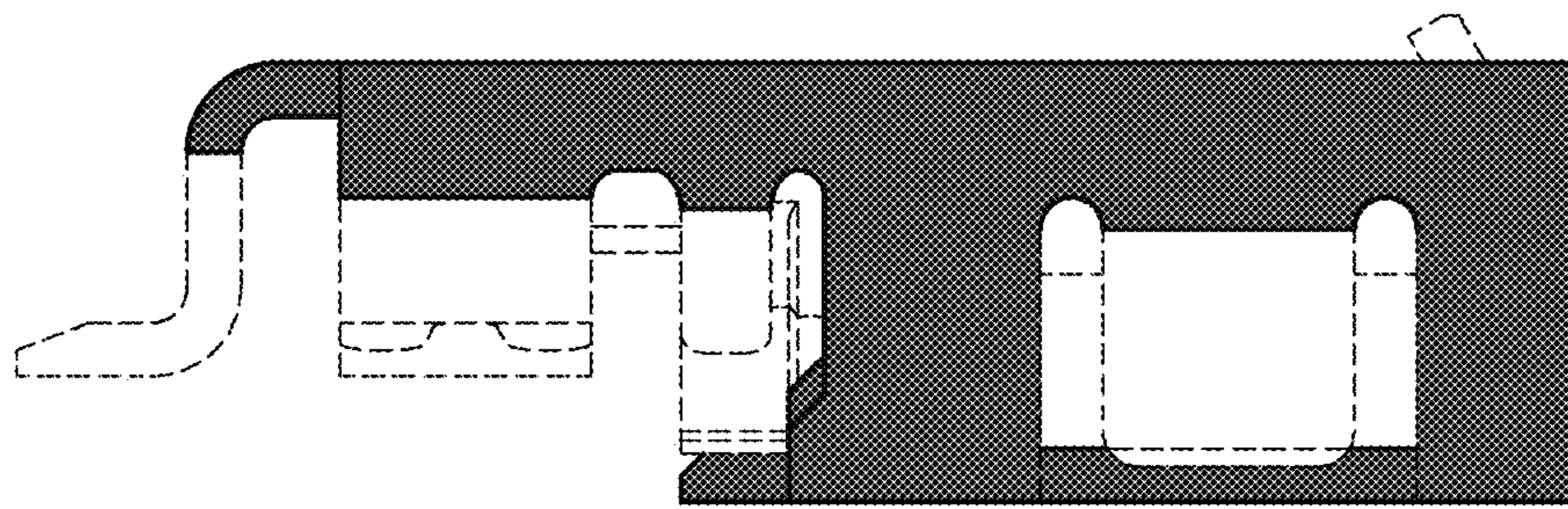


FIG. 5

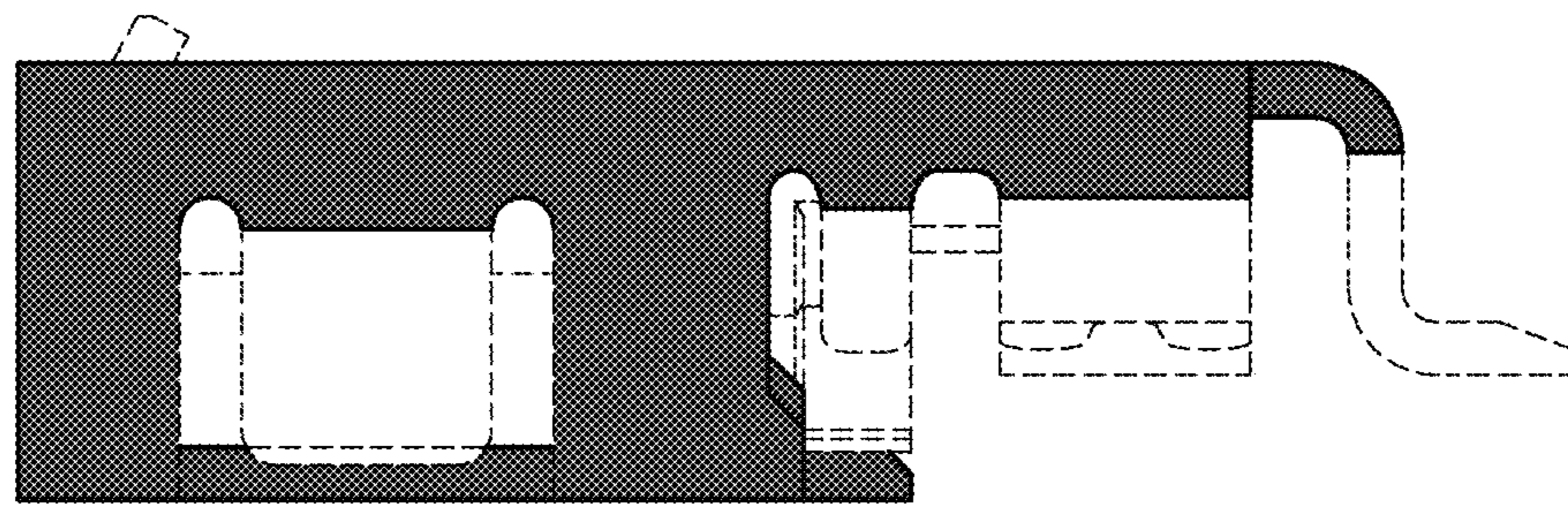


FIG. 6

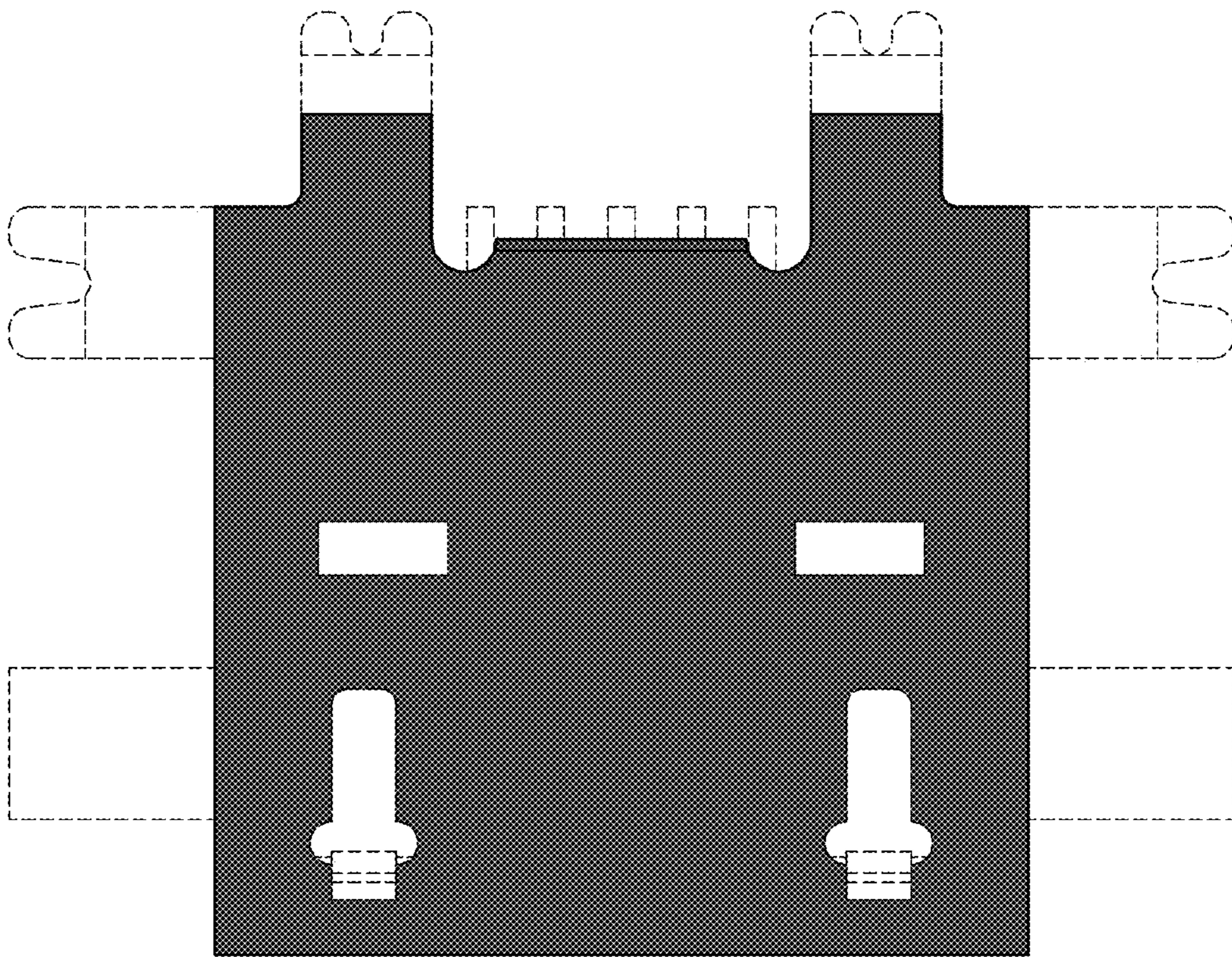


FIG. 7

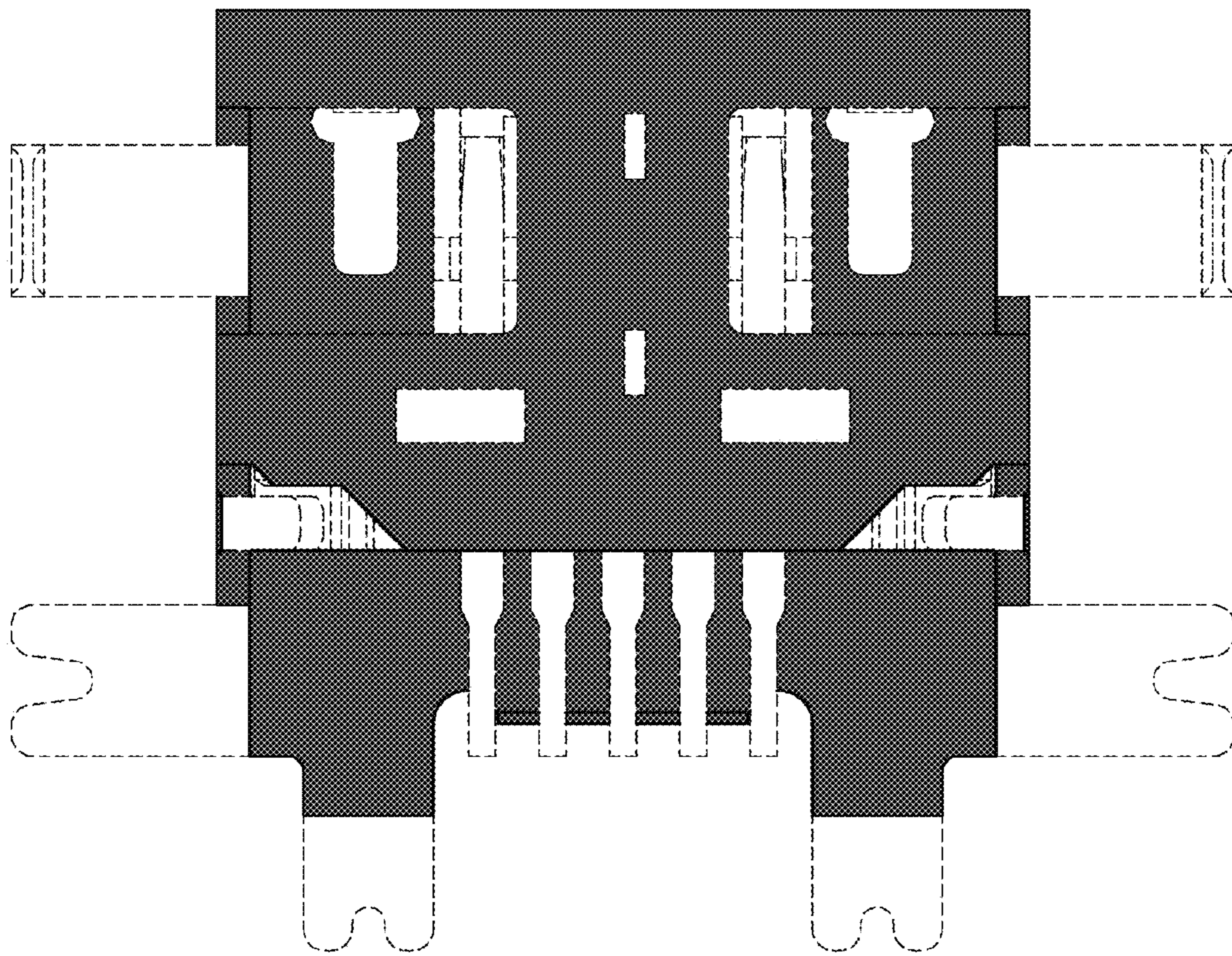


FIG. 8