



US00D743893S

(12) **United States Design Patent**
Kuribayashi

(10) **Patent No.:** **US D743,893 S**

(45) **Date of Patent:** **** Nov. 24, 2015**

(54) **CONNECTOR PLUG**

(71) Applicant: **Panasonic Corporation**, Osaka (JP)

(72) Inventor: **Keiji Kuribayashi**, Osaka (JP)

(73) Assignee: **Panasonic Intellectual Property Management Co., Ltd.**, Osaka (JP)

(**) Term: **14 Years**

(21) Appl. No.: **29/496,360**

(22) Filed: **Jul. 11, 2014**

(30) **Foreign Application Priority Data**

Jan. 16, 2014 (JP) 2014-000656

(51) **LOC (10) Cl.** **13-03**

(52) **U.S. Cl.**
USPC **D13/146**

(58) **Field of Classification Search**
USPC D13/147, 154, 184, 199
See application file for complete search history.

(56) **References Cited**

U.S. PATENT DOCUMENTS

D634,709 S * 3/2011 Ichio D13/119
D663,692 S * 7/2012 Sebald D13/133
D667,379 S * 9/2012 Fukushima D13/133
D669,033 S * 10/2012 Senk D13/133
D677,632 S * 3/2013 Riddle D13/133

D690,271 S * 9/2013 Riddle D13/147
D690,652 S * 10/2013 Anderson D13/146
D700,143 S * 2/2014 Ichio D13/120
D707,179 S * 6/2014 Smith D13/146

OTHER PUBLICATIONS

Author: Toyota Motor Corporation Title of the article: "Prius PHV/ Charge/How to charge" Title of the item: printout of website of Toyota Motor Corporation URL: http://toyota.jp/priusphv/001_p_003/charge/ Date: Unknown (before Feb. 20, 2012).

* cited by examiner

Primary Examiner — Daniel Bui

(74) *Attorney, Agent, or Firm* — Panasonic Patent Center

(57) **CLAIM**

I claim the ornamental design for a connector plug, as shown and described.

DESCRIPTION

FIG. 1 is a front perspective view of a connector plug of the present invention;
FIG. 2 is a front view thereof, the rear view being a mirror image;
FIG. 3 is a first side view thereof;
FIG. 4 is a second side view thereof;
FIG. 5 is a top view thereof; and,
FIG. 6 is a bottom view thereof.

The broken line in the figure drawings is included for the purpose of illustrating environment and forms no part of the claimed design.

1 Claim, 6 Drawing Sheets

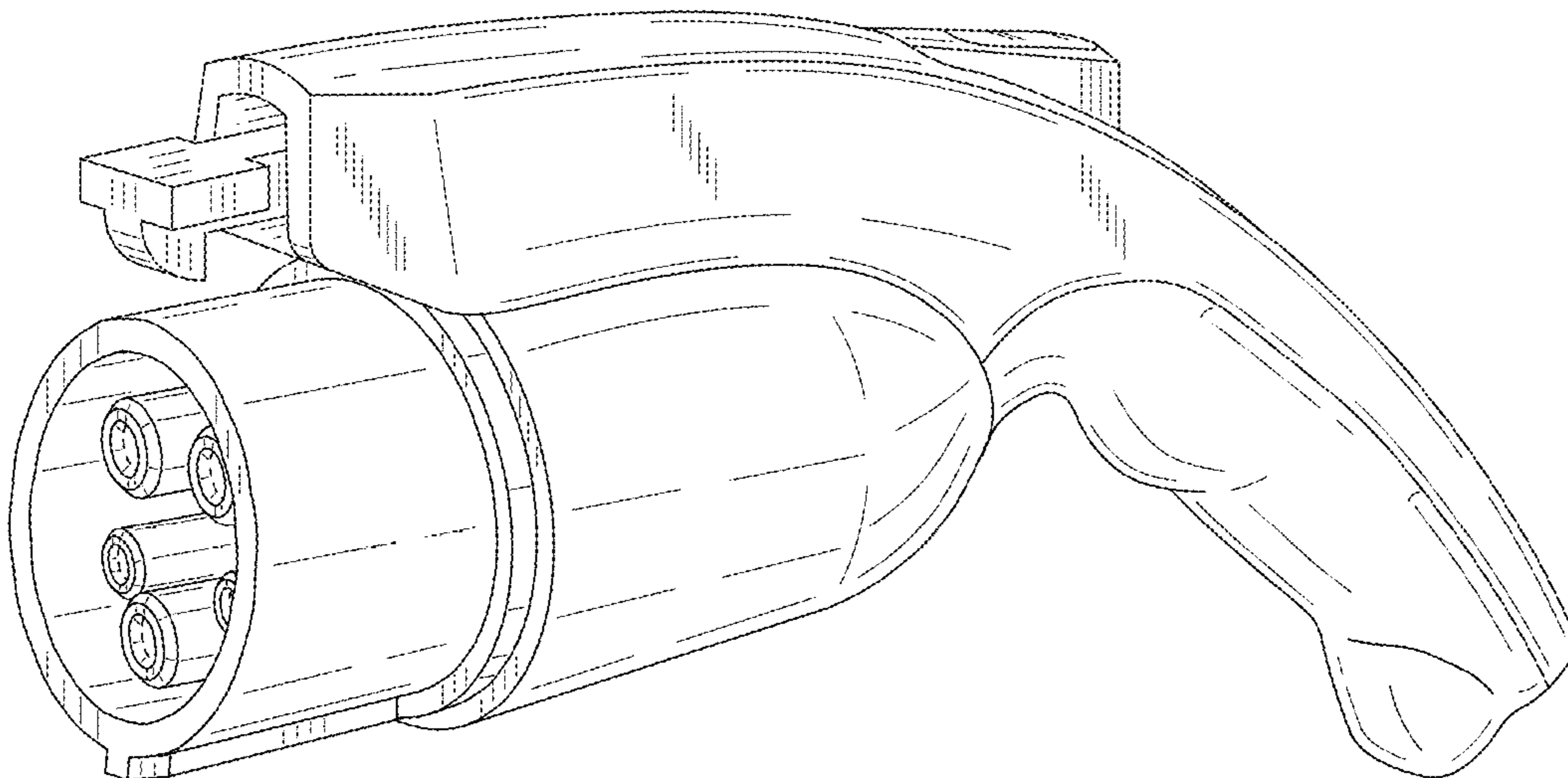


FIG. 1

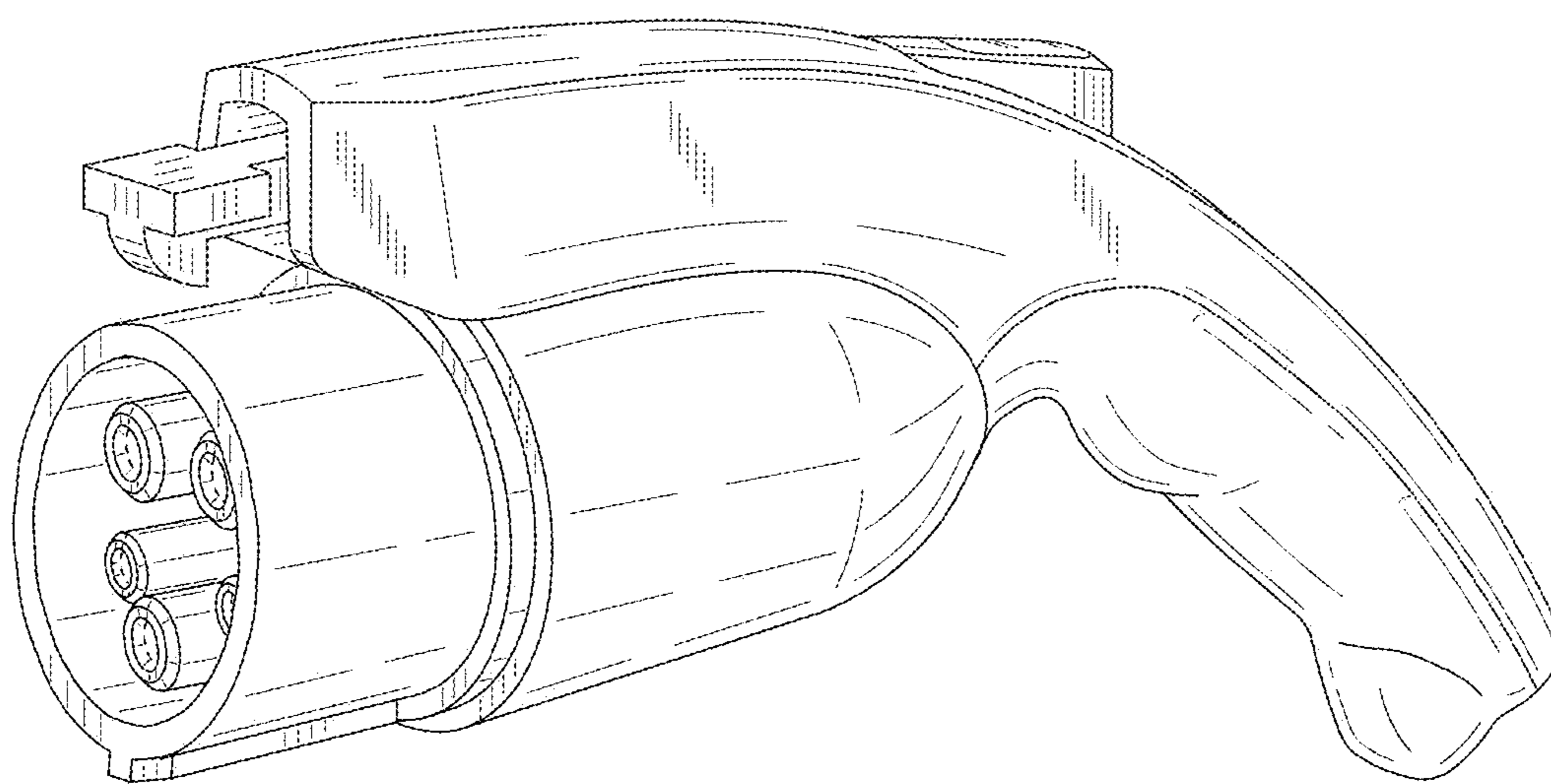


FIG. 2

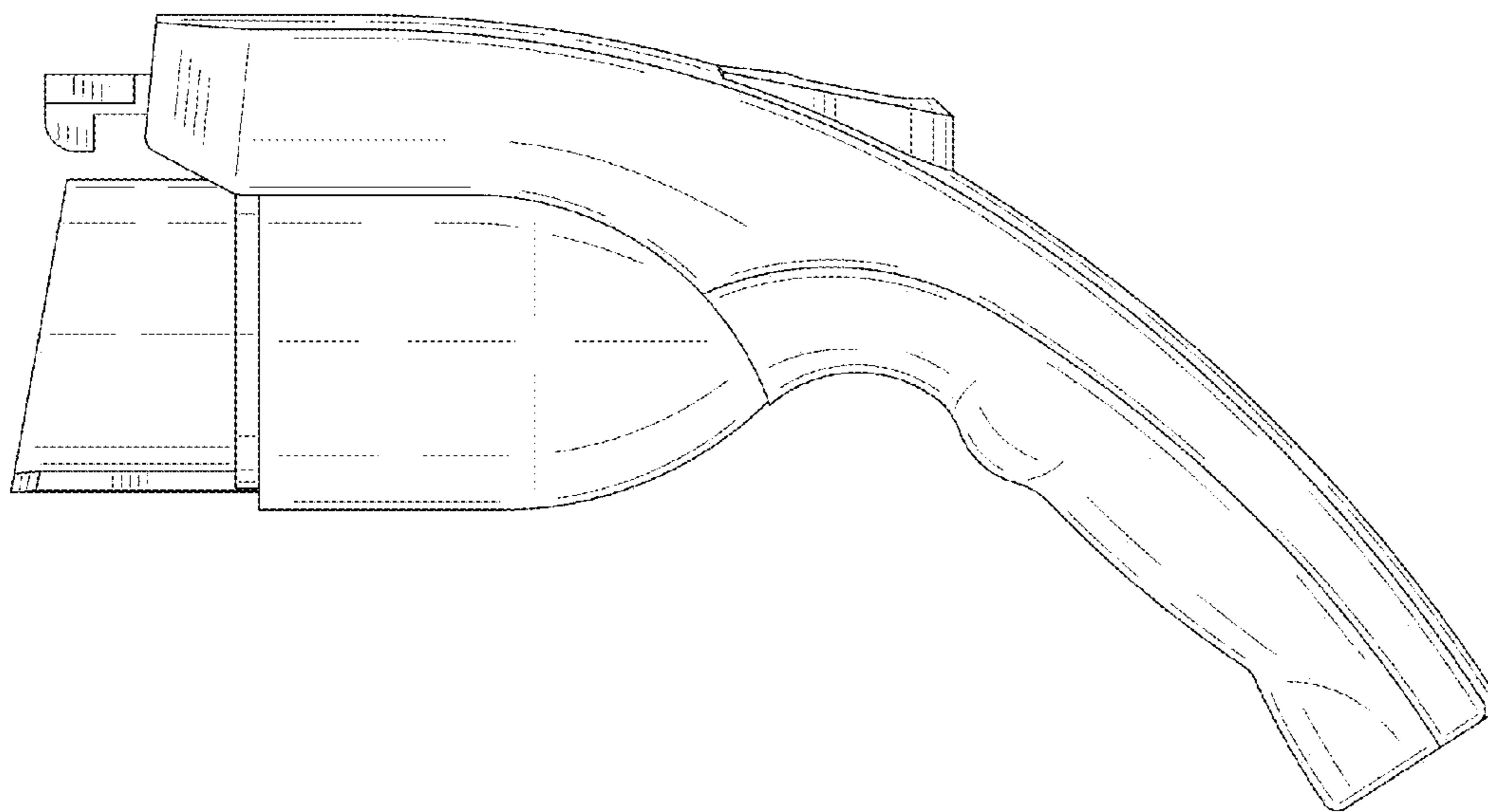


FIG. 3

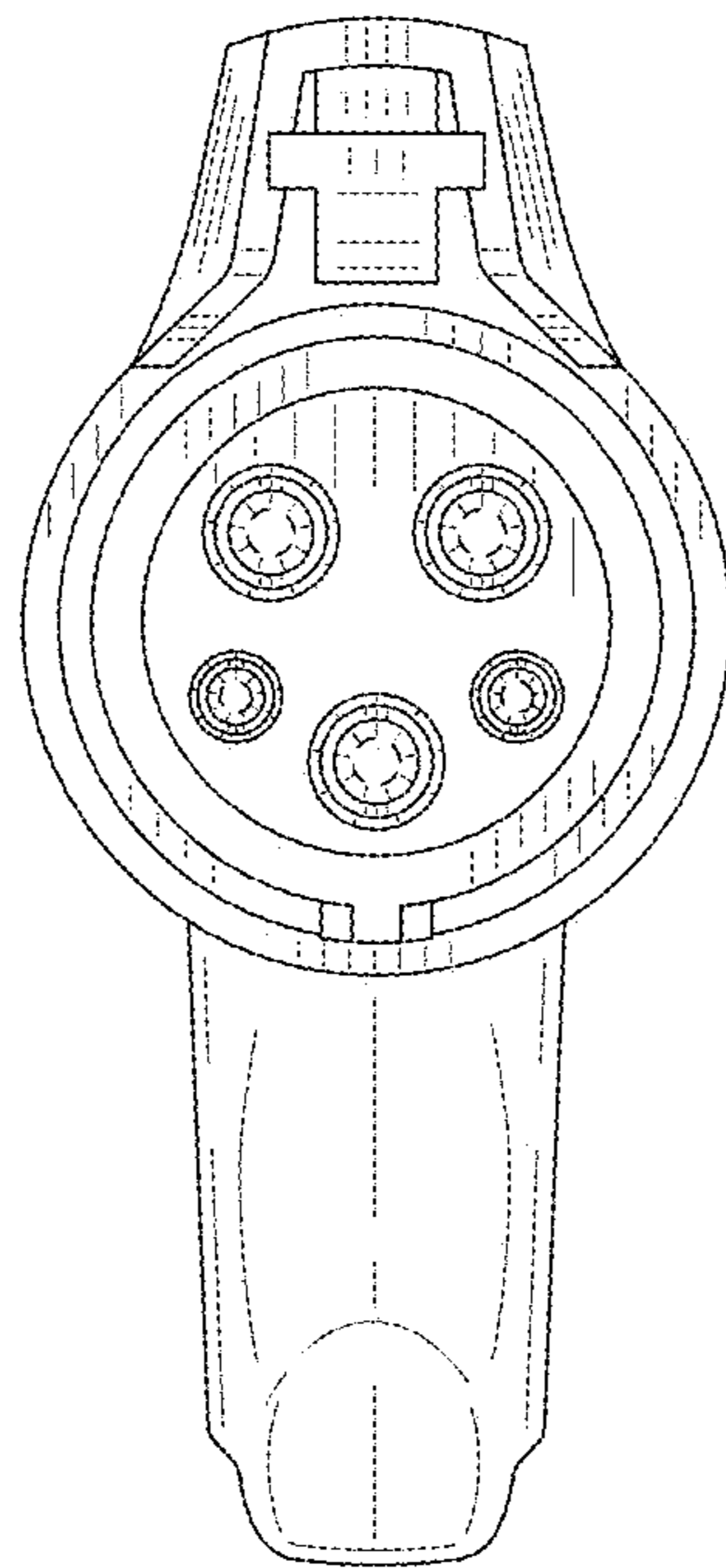


FIG. 4

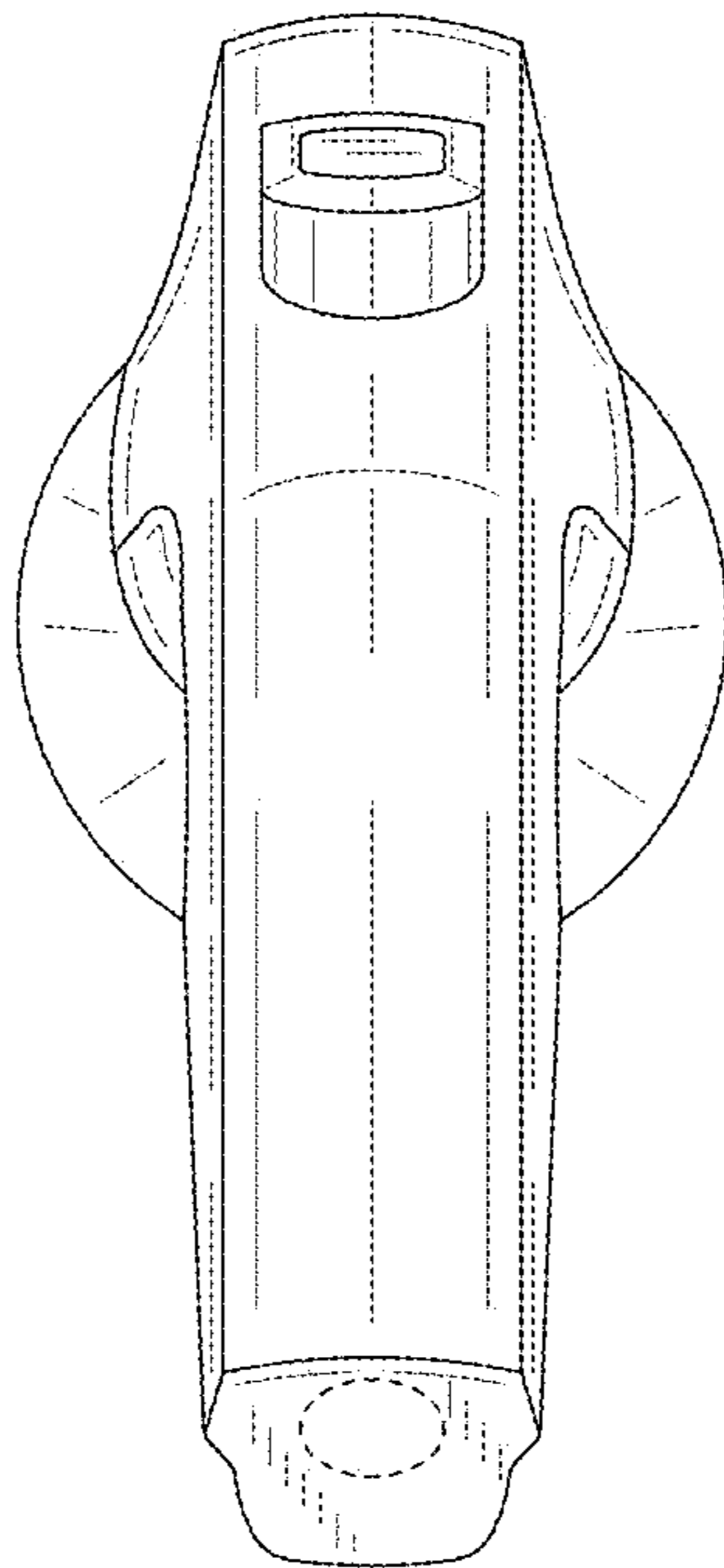


FIG. 5

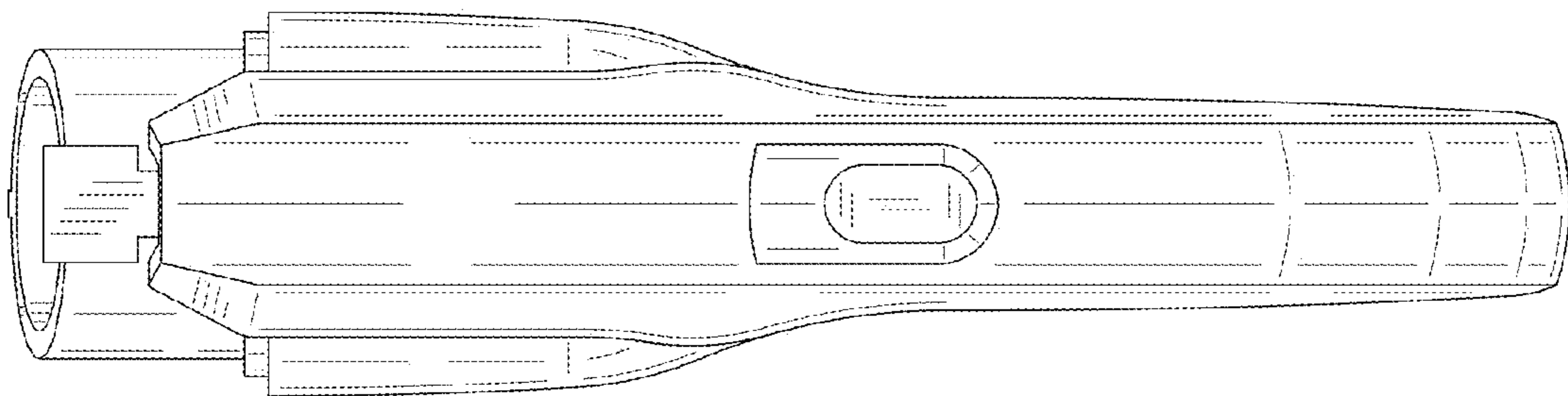


FIG. 6

