



US00D743891S

(12) **United States Design Patent**  
**Shaw et al.**

(10) **Patent No.:** **US D743,891 S**

(45) **Date of Patent:** **\*\* Nov. 24, 2015**

(54) **COAXIAL CONNECTOR WRENCH SLEEVE**

(71) Applicants: **Glen David Shaw**, Conway, AR (US);  
**Jeff G. Hammons**, Scott, AR (US)

(72) Inventors: **Glen David Shaw**, Conway, AR (US);  
**Jeff G. Hammons**, Scott, AR (US)

(73) Assignee: **PerfectVision Manufacturing, Inc.**,  
Little Rock, AR (US)

(\*\*) Term: **14 Years**

(21) Appl. No.: **29/479,813**

(22) Filed: **Jan. 21, 2014**

(51) **LOC (10) Cl.** ..... **13-03**

(52) **U.S. Cl.**  
USPC ..... **D13/133; D13/156**

(58) **Field of Classification Search**  
USPC ..... D13/110, 123, 133, 151, 154–156, 184,  
D13/199; D8/21, 24  
CPC ..... H01R 13/62; H01R 13/40; H01R 9/05;  
H01R 9/051; H01R 24/40; H01R 9/052;  
H01R 24/38; H01R 24/54; B25B 13/06;  
B25B 13/50; B25B 25/00; B25B 13/48  
See application file for complete search history.

(56) **References Cited**

U.S. PATENT DOCUMENTS

D244,463	S	*	5/1977	Judd	.....	D13/156
4,791,837	A		12/1988	Main		
5,572,912	A	*	11/1996	Gasparre	.....	81/121.1
D398,493	S		9/1998	Jones		
D460,740	S	*	7/2002	Montena	.....	D13/154
D460,946	S	*	7/2002	Montena	.....	D13/154

D460,947	S	*	7/2002	Montena	.....	D13/154
D460,948	S	*	7/2002	Montena	.....	D13/154
D472,114	S	*	3/2003	Palecki et al.	.....	D8/21
7,147,509	B1		12/2006	Burris et al.		
7,544,094	B1		6/2009	Paglia et al.		
7,837,501	B2		11/2010	Youtsey		
D632,149	S	*	2/2011	Li et al.	.....	D8/29
7,946,199	B2		5/2011	Bradley		
D646,227	S	*	10/2011	Natoli	.....	D13/156
8,029,316	B2		10/2011	Snyder et al.		
8,062,064	B2		11/2011	Rodrigues et al.		
8,172,611	B1		5/2012	Montena		
D671,899	S	*	12/2012	Verhoeven et al.	.....	D13/156
D695,695	S	*	12/2013	Kelly	.....	D13/156
2004/0194585	A1		10/2004	Clark		
2010/0055978	A1*		3/2010	Montena	.....	439/583
2010/0199813	A1*		8/2010	Phillips et al.	.....	81/124.2
2011/0248801	A1		10/2011	Blake et al.		
2012/0003869	A1		1/2012	Ehret et al.		

\* cited by examiner

*Primary Examiner* — Thomas Johannes

*Assistant Examiner* — Shawn T Gingrich

(57) **CLAIM**

The ornamental design for a coaxial connector wrench sleeve, as shown and described.

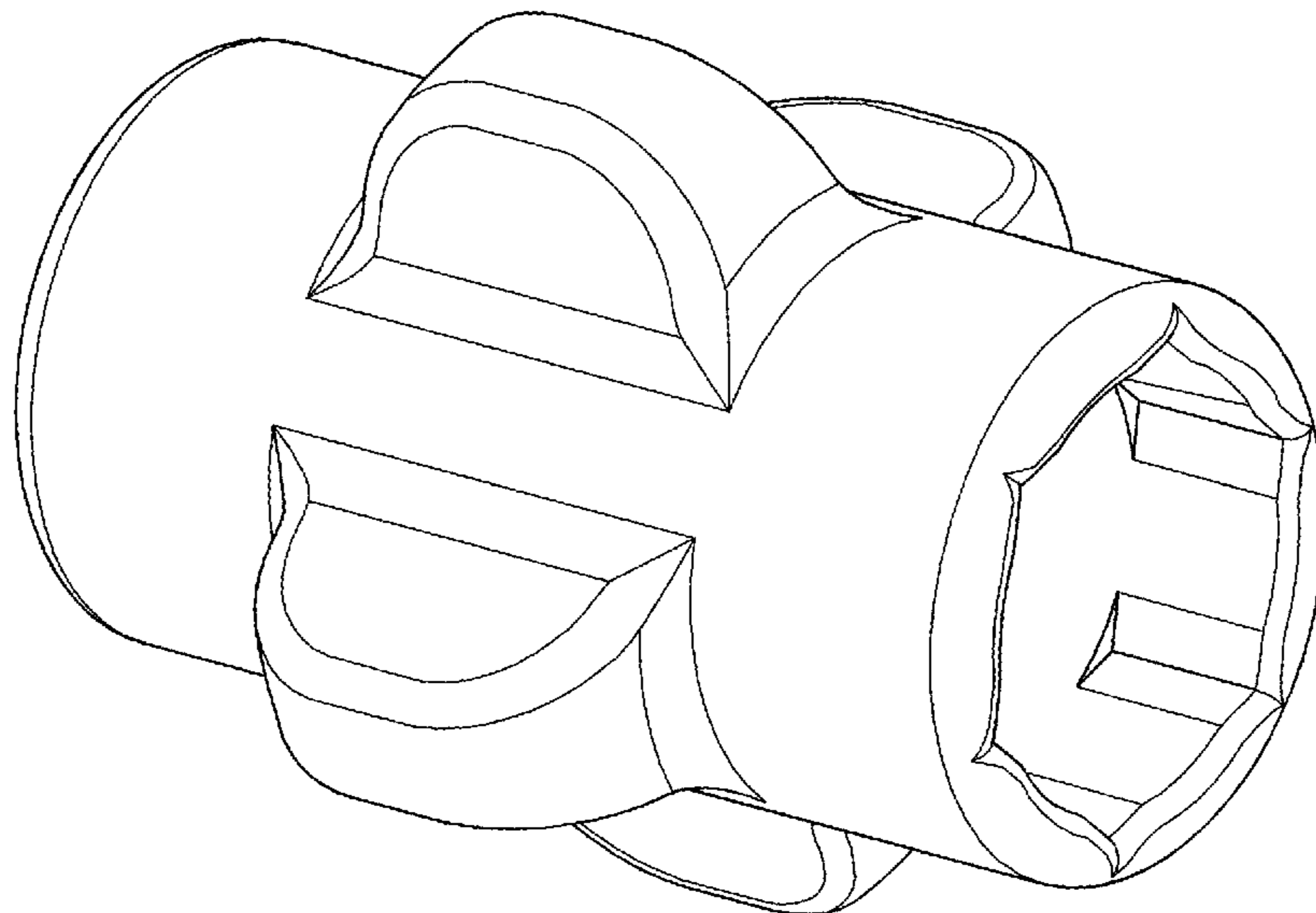
**DESCRIPTION**

FIG. 1 is a side perspective view of a coaxial connector wrench sleeve showing the front, top, and left of my new design;

FIG. 2 is a front view thereof which is a mirror image of the rear view; and,

FIG. 3 is a left side view thereof which is a mirror image of the right side view.

**1 Claim, 2 Drawing Sheets**



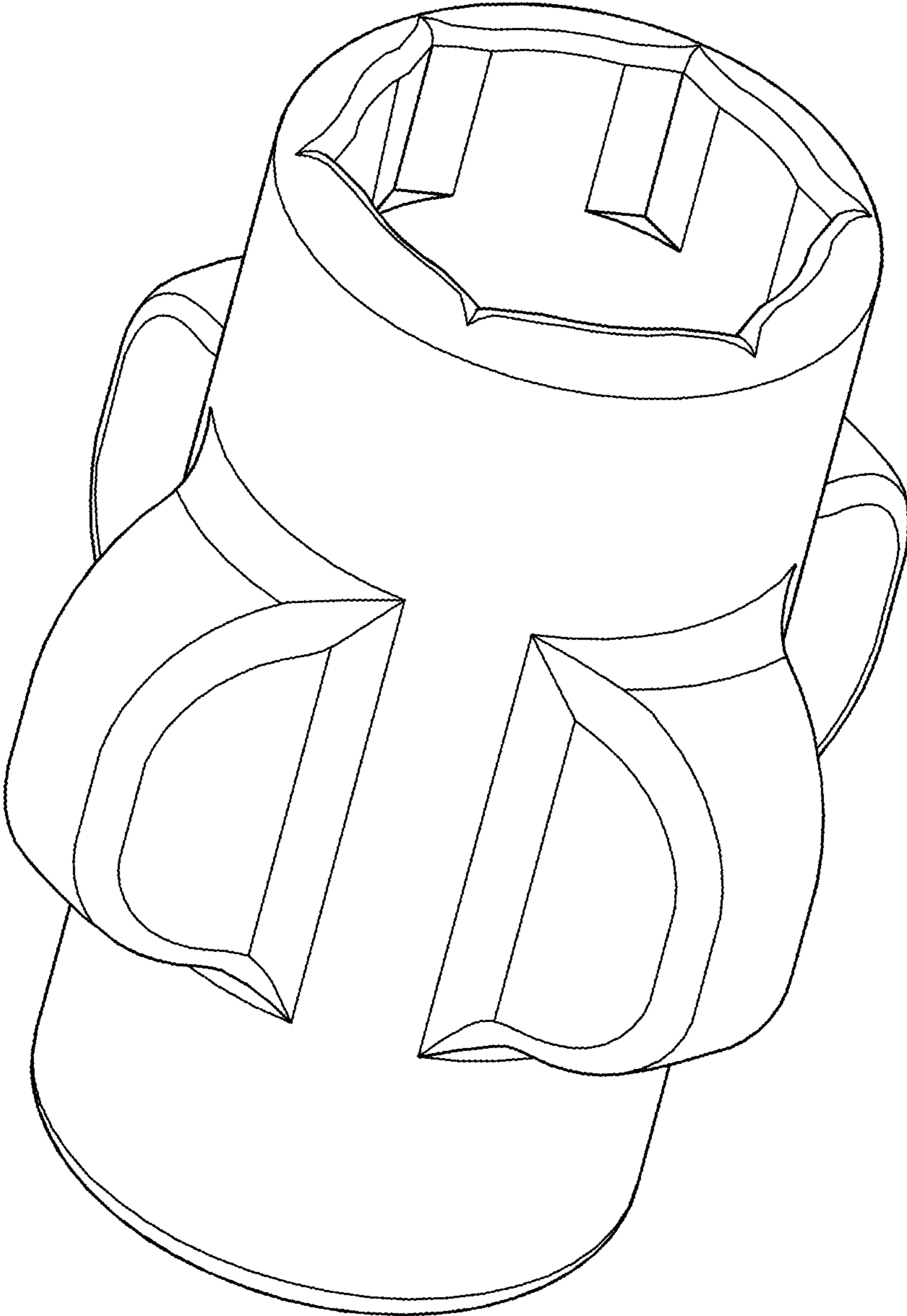


FIG. 1

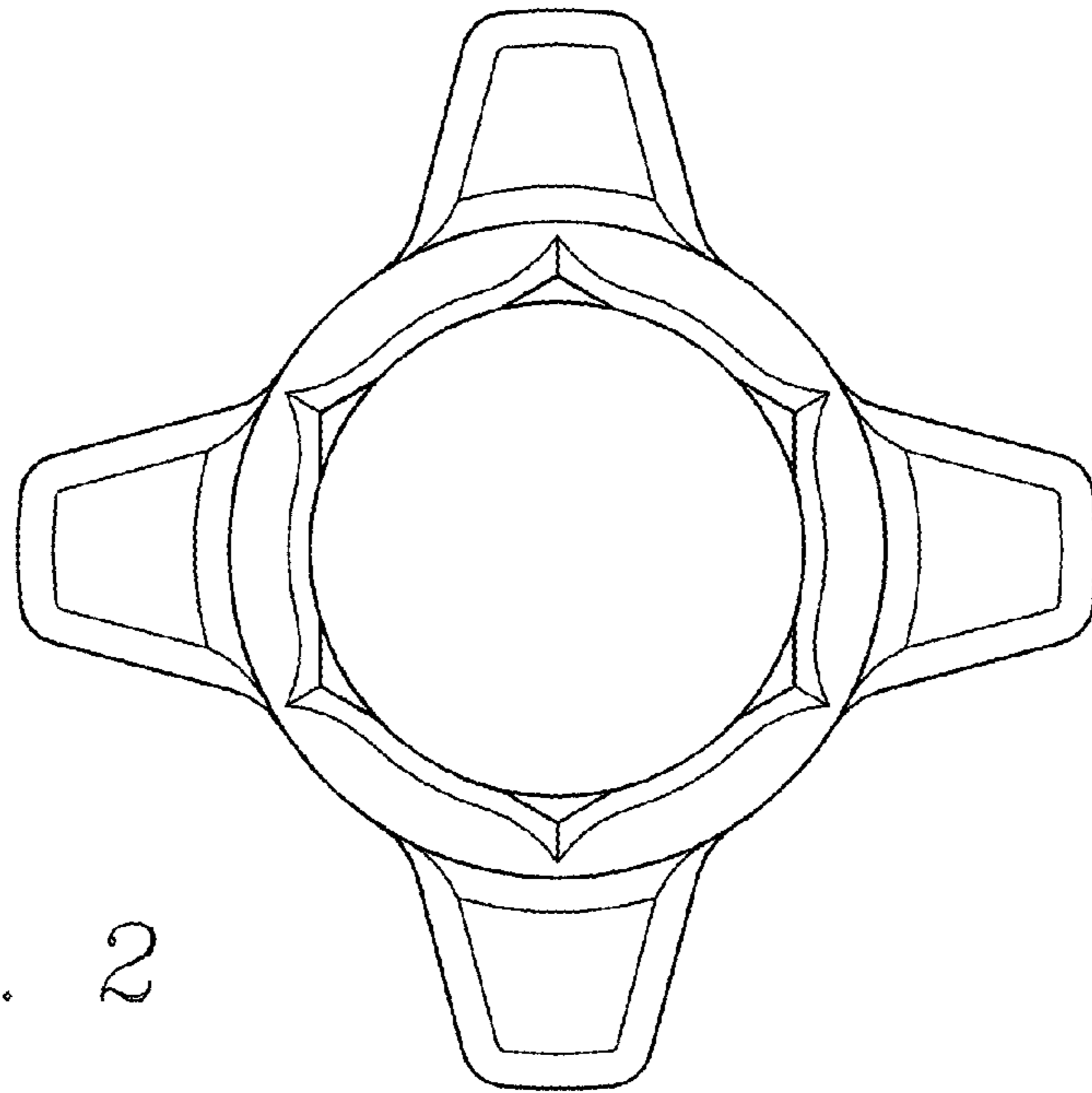


FIG. 2

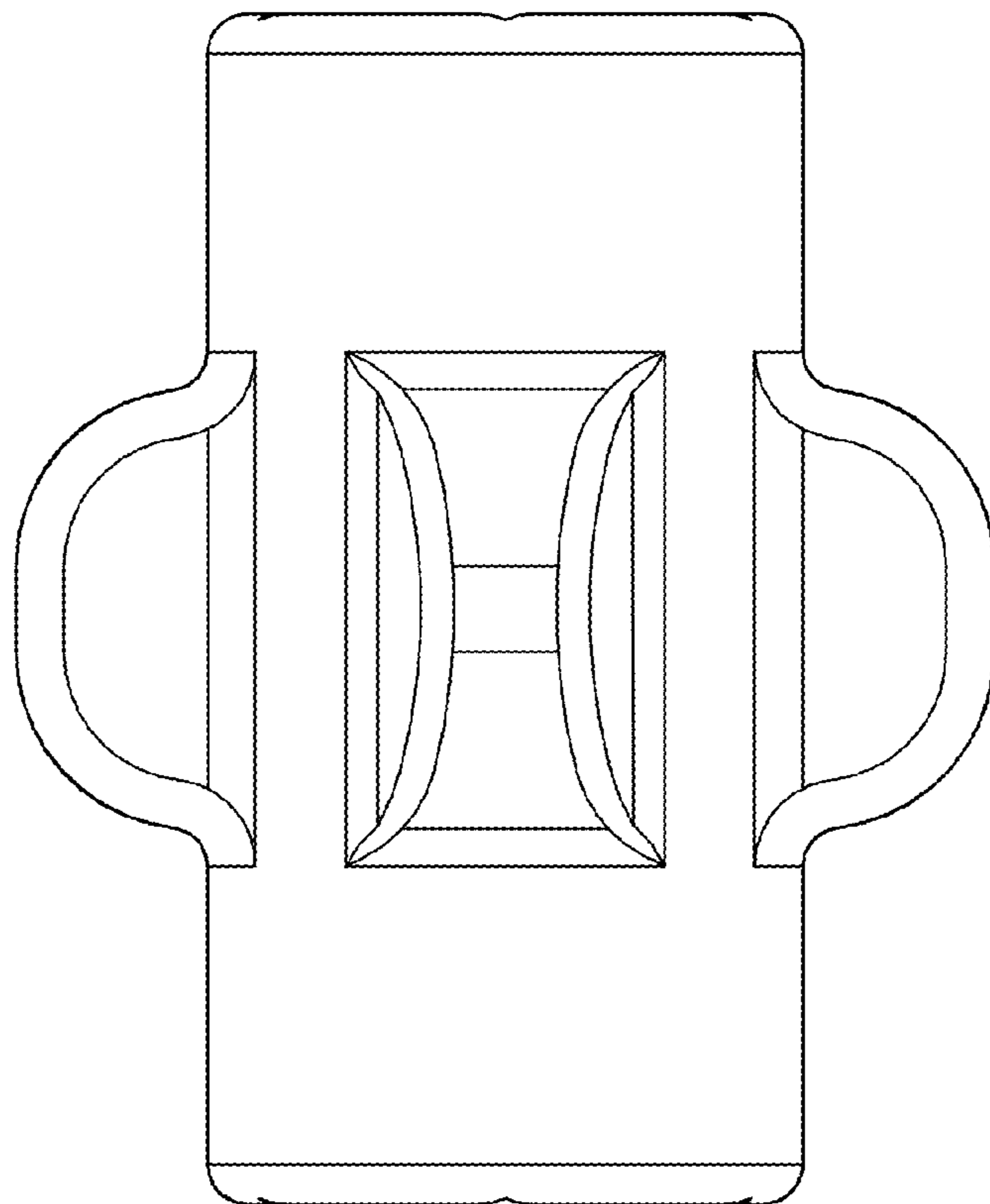


FIG. 3