



US00D743890S

(12) **United States Design Patent**  
**Liu et al.**

(10) **Patent No.:** **US D743,890 S**

(45) **Date of Patent:** **\*\* Nov. 24, 2015**

(54) **ELECTRONIC BALLAST**

(71) Applicant: **Shenzhen Longood Intelligent Electric Co., Ltd**, Bao'an Dist., Shenzhen (CN)

(72) Inventors: **Xianwu Liu**, Shenzhen (CN); **Jun Ding**, Chibi (CN)

(73) Assignee: **SHENZHEN LONGOOD INTELLIGENT ELECTRIC CO., LTD**, Shenzhen, Guangdong (CN)

(\*\*) Term: **14 Years**

(21) Appl. No.: **29/500,626**

(22) Filed: **Aug. 27, 2014**

(51) **LOC (10) Cl.** ..... **13-02**

(52) **U.S. Cl.**  
USPC ..... **D13/110**

(58) **Field of Classification Search**  
USPC ..... 174/59; 220/3.8, 4.02; 320/103, 113, 320/108, 111; 307/104, 150; 361/679.01, 361/679.21, 679.54, 724; D13/110, 103, D13/107, 108, 118, 119, 123, 133, 137.1, D13/184, 199; D14/188, 240, 251, 356, D14/732, 433, 434  
CPC ..... Y10T 307/625; H01R 13/447; H01R 13/6675; H01R 31/065; H02J 5/005; H02M 1/10

See application file for complete search history.

(56) **References Cited**

U.S. PATENT DOCUMENTS

5,742,478 A \* 4/1998 Wu ..... 361/704  
5,874,788 A \* 2/1999 McCartney ..... 307/66  
D409,139 S \* 5/1999 Cornell et al. .... D13/110

D413,567 S \* 9/1999 Person et al. .... D13/110  
D427,147 S \* 6/2000 Wei ..... D13/110  
D427,969 S \* 7/2000 Wei ..... D13/110  
D436,918 S \* 1/2001 Matsuda ..... D13/110  
D496,629 S \* 9/2004 Hriscu et al. .... D13/110  
D558,142 S \* 12/2007 Cho ..... D13/110  
7,483,272 B2 \* 1/2009 Hussaini et al. .... 361/704  
D654,021 S \* 2/2012 Sweeney et al. .... D13/110  
D699,181 S \* 2/2014 Hung et al. .... D13/108  
D716,730 S \* 11/2014 Liu et al. .... D13/110  
D725,820 S \* 3/2015 Hargreaves ..... D26/138  
2006/0103242 A1 \* 5/2006 Lin ..... 307/66  
2008/0123376 A1 \* 5/2008 Ho et al. .... 363/74

\* cited by examiner

*Primary Examiner* — Derrick Holland

*Assistant Examiner* — Jennifer O King

(74) *Attorney, Agent, or Firm* — Jackson IPG PLLC; Demian K. Jackson

(57) **CLAIM**

The ornamental design for an electronic ballast, as shown and described.

**DESCRIPTION**

FIG. 1 is a perspective view of an electronic ballast showing our new design;

FIG. 2 is a front elevational view thereof;

FIG. 3 is a top plan view thereof;

FIG. 4 is a right side elevational view thereof;

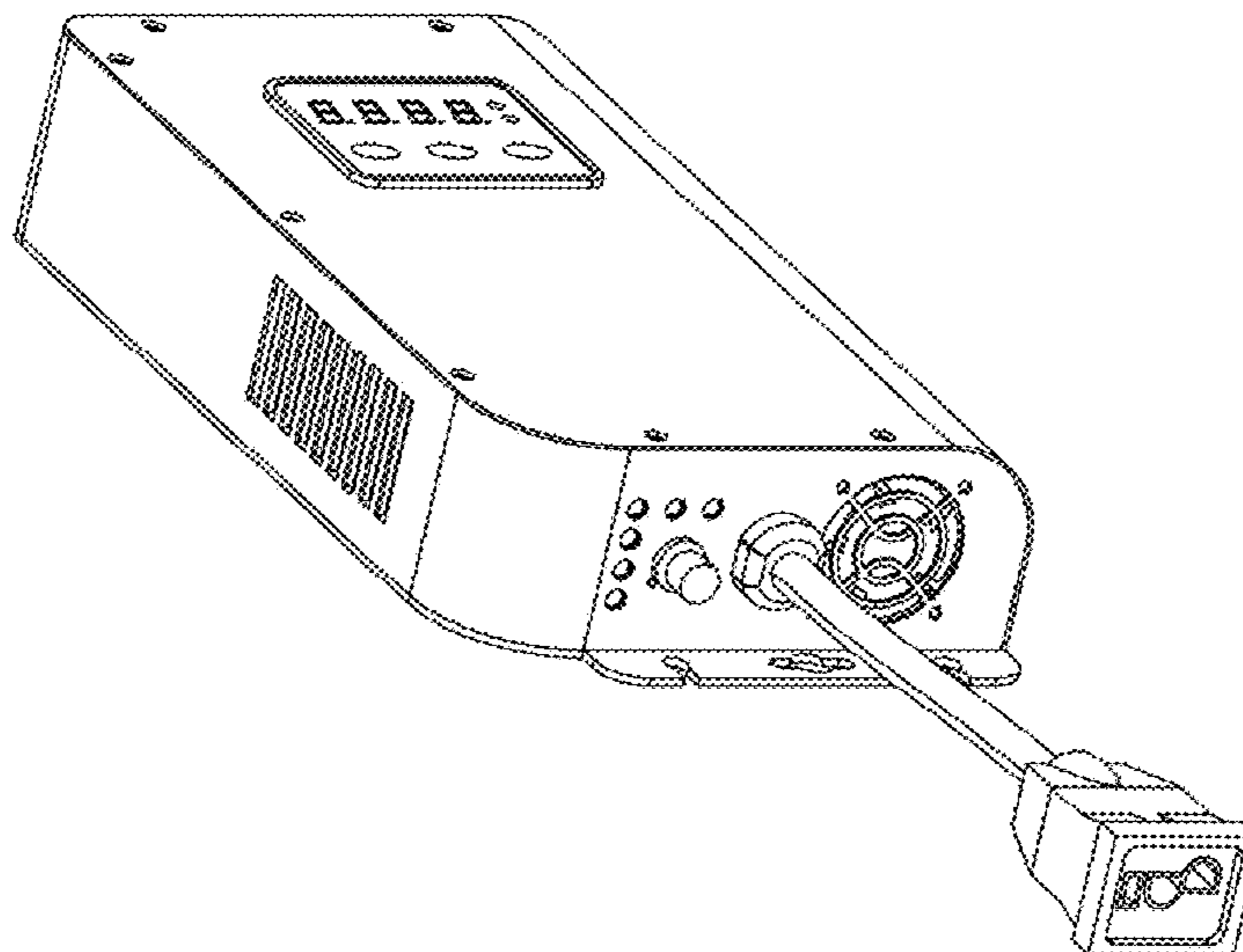
FIG. 5 is a left side elevational view thereof;

FIG. 6 is a rear elevational view thereof;

FIG. 7 is a bottom plan view thereof; and,

FIG. 8 is another perspective view of the electronic ballast of FIG. 1.

**1 Claim, 8 Drawing Sheets**



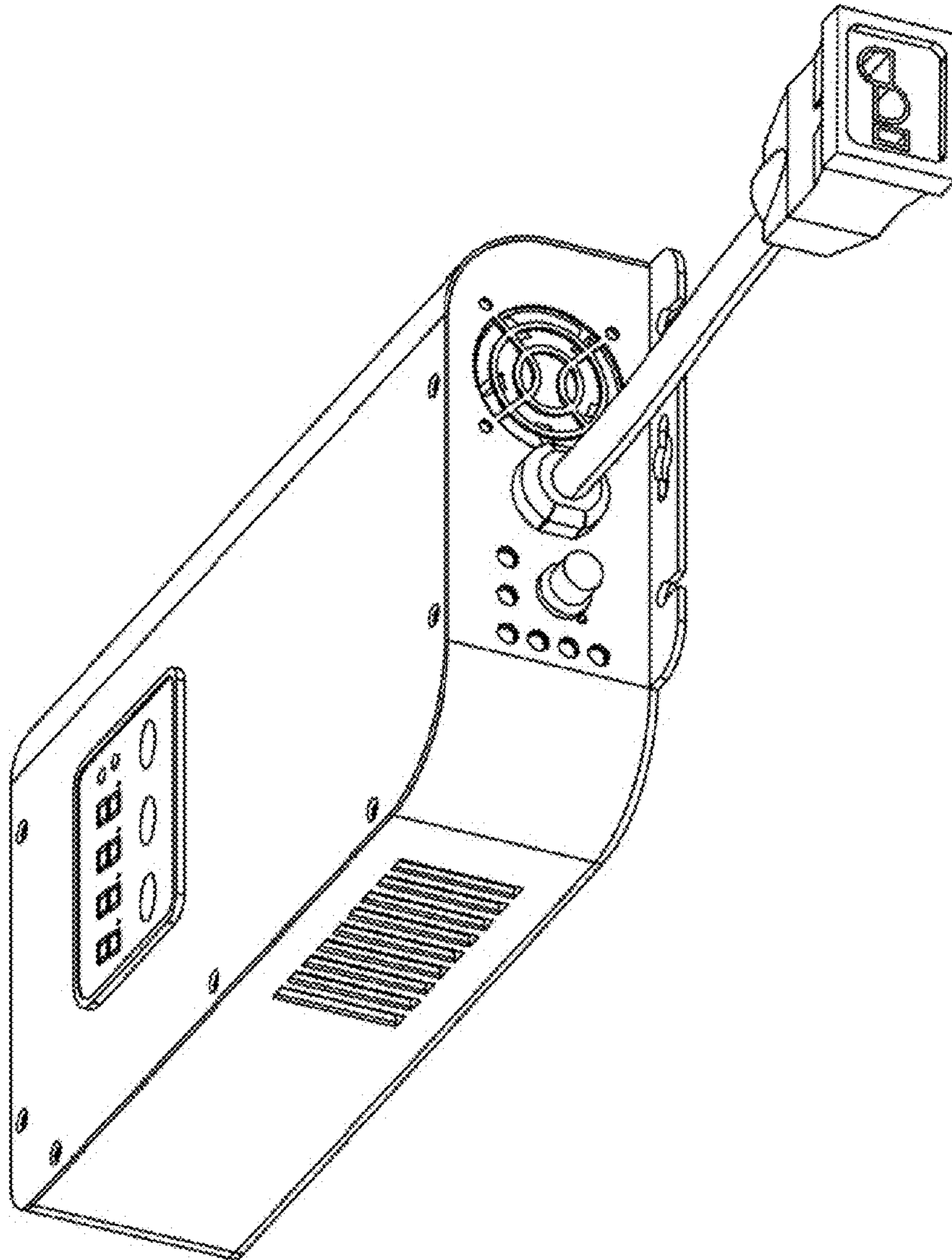


FIG. 1

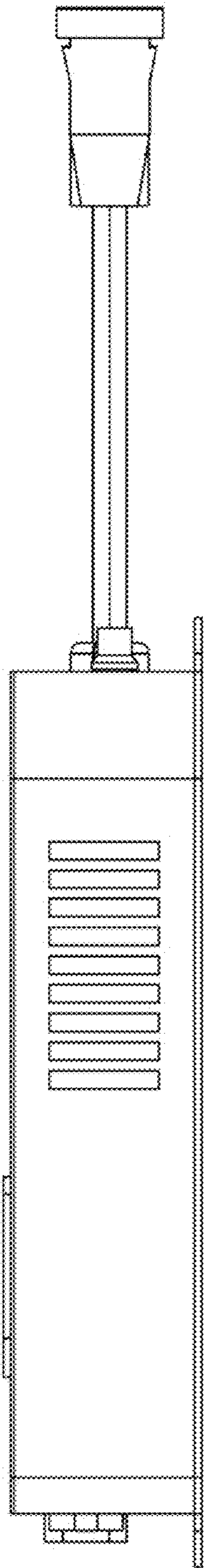


FIG. 2

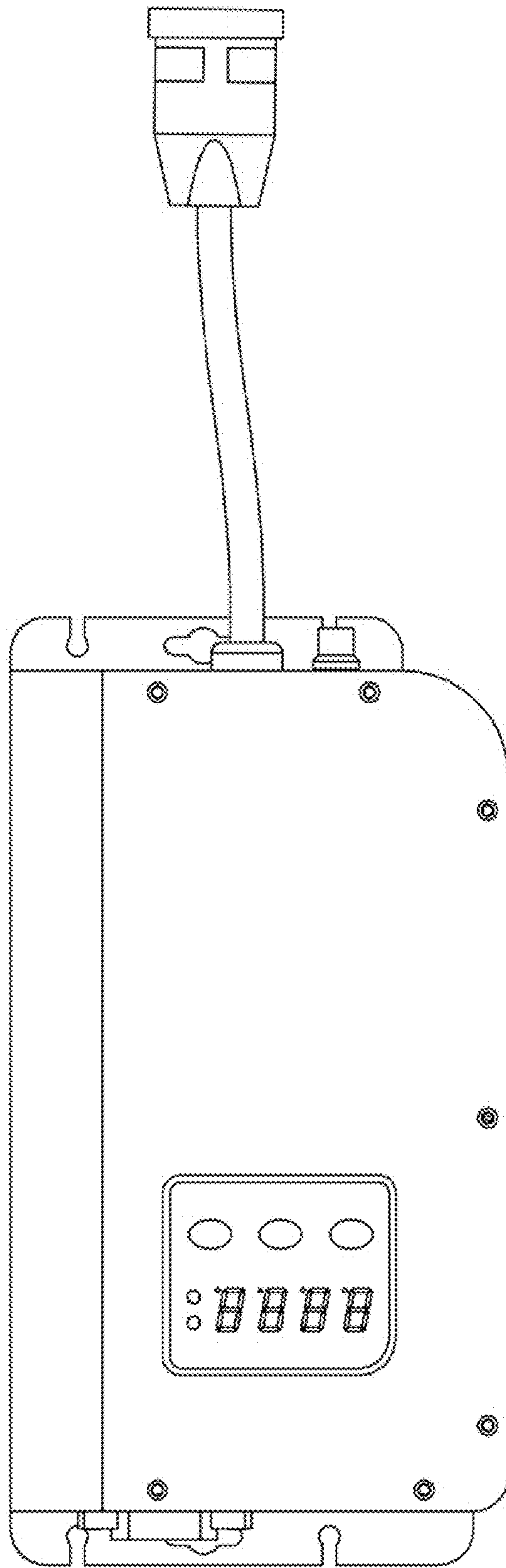


FIG. 3

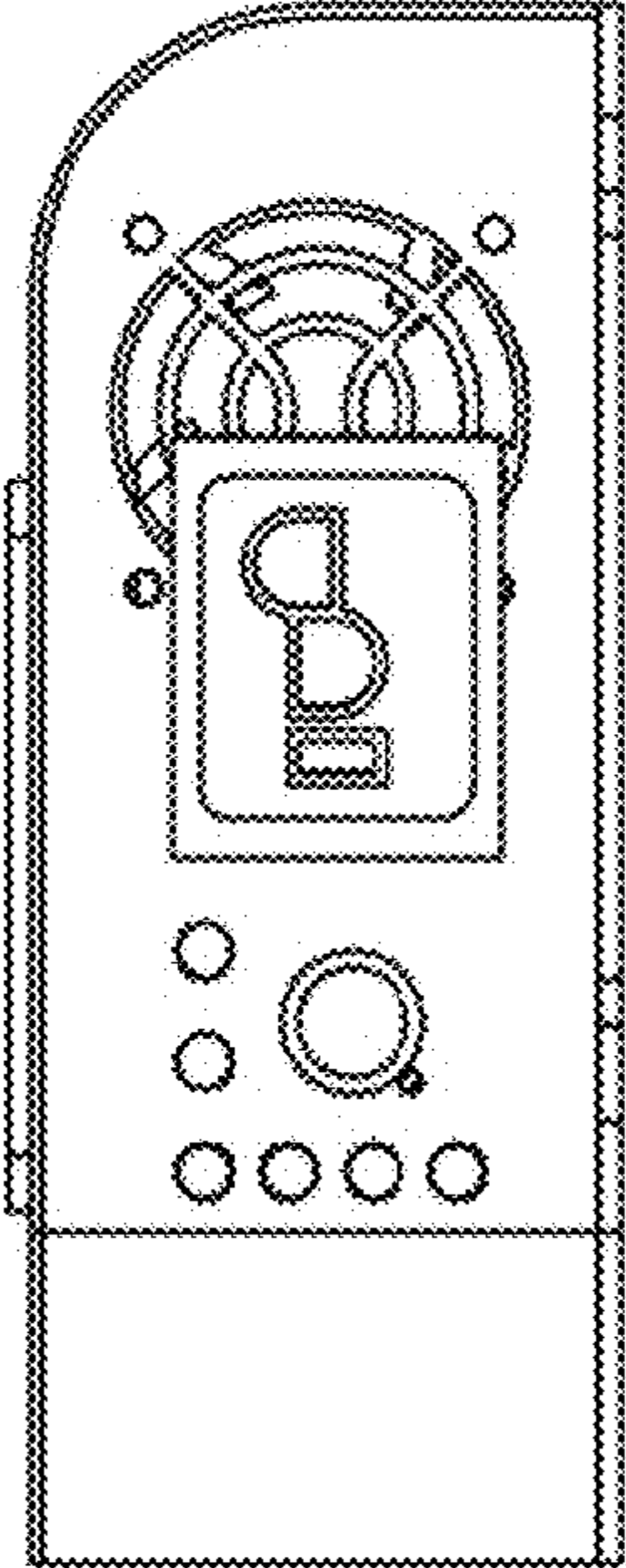


FIG. 4

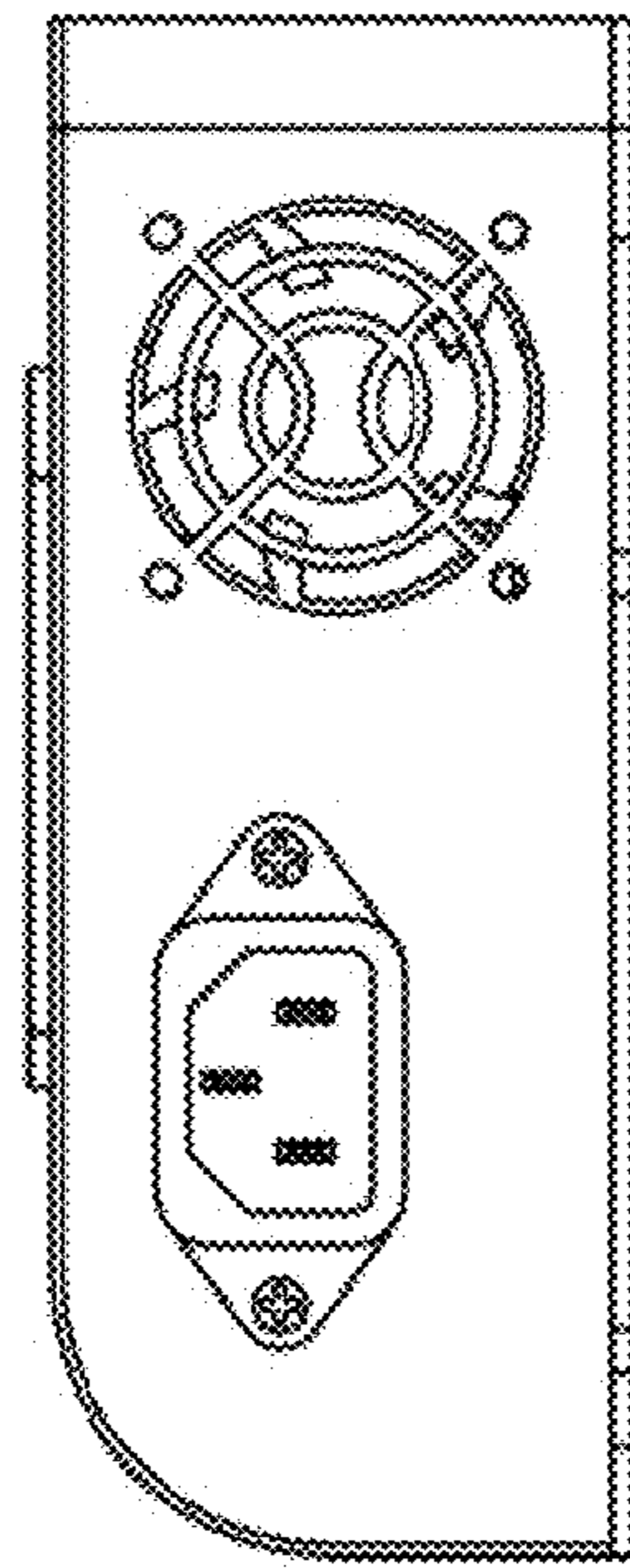


FIG. 5

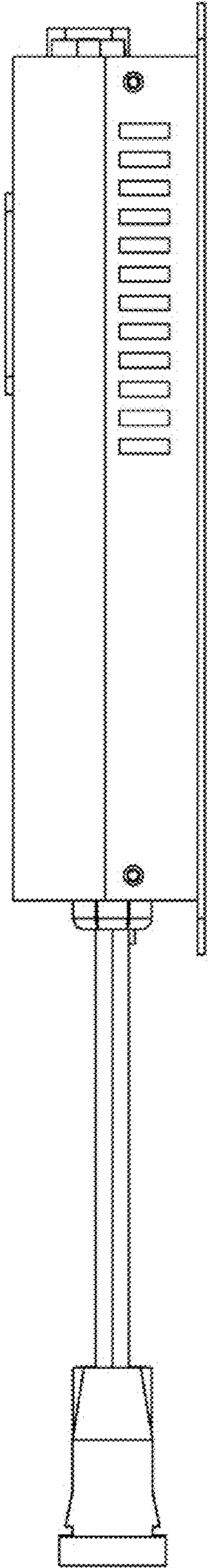


FIG. 6

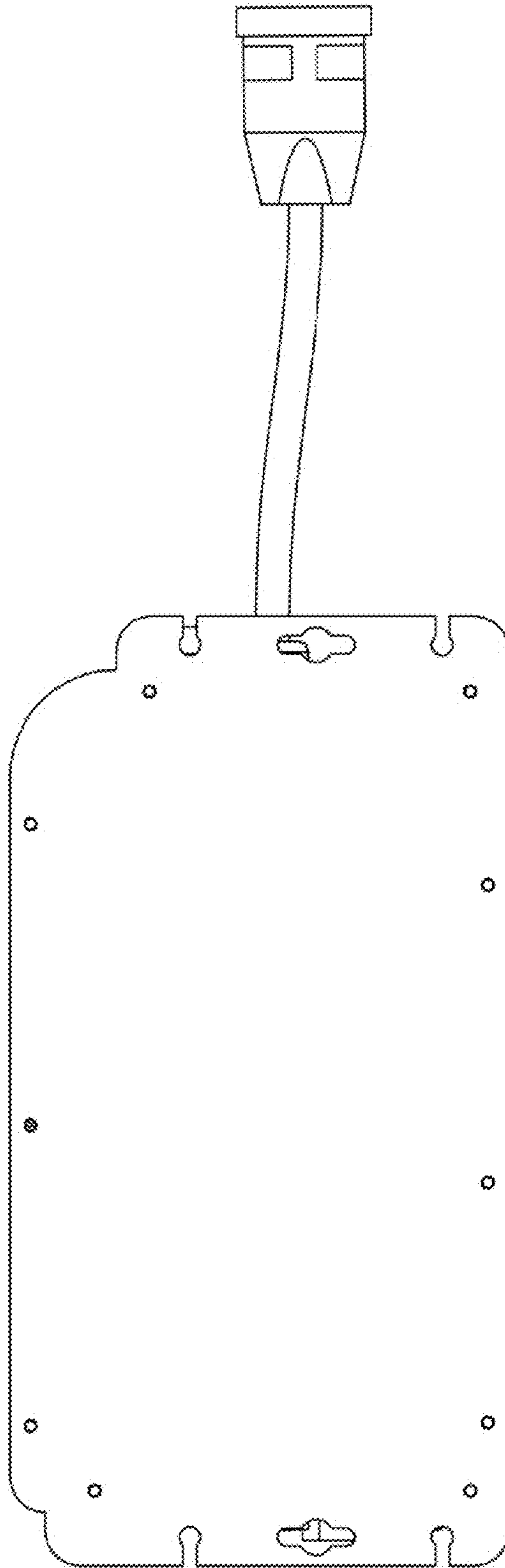


FIG. 7



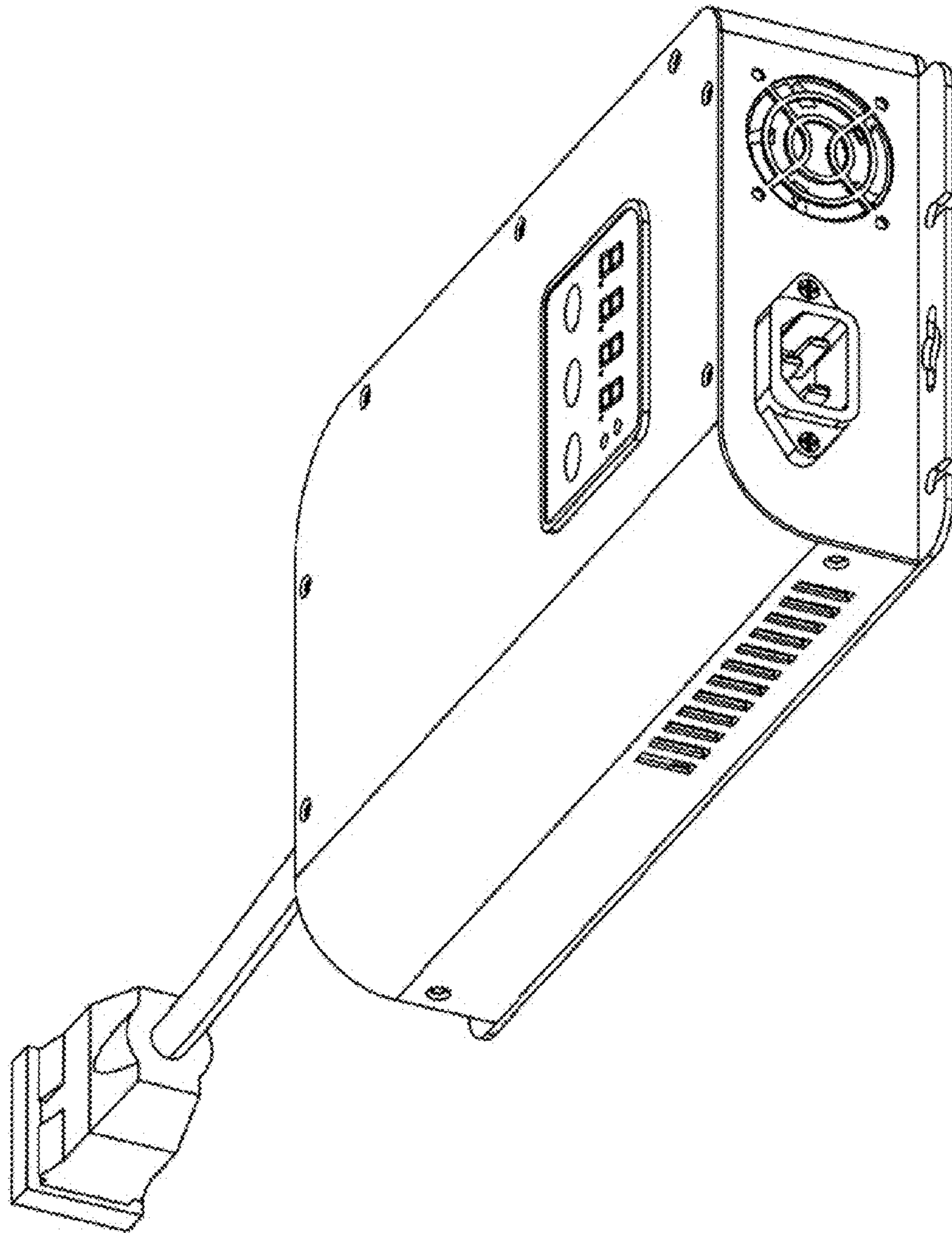


FIG. 8