



US00D743889S

(12) **United States Design Patent**
Lyles et al.

(10) **Patent No.:** **US D743,889 S**

(45) **Date of Patent:** **** Nov. 24, 2015**

(54) **MOBILE POWER ADAPTER**

(71) Applicant: **Dell Products L.P.**, Round Rock, TX (US)

(72) Inventors: **Justin C. Lyles**, San Diego, CA (US); **Shih-Heng Chen**, Taipei (TW); **Brian Hargrove Leonard**, Austin, TX (US)

(73) Assignee: **Dell Products L.P.**, Round Rock, TX (US)

(**) Term: **14 Years**

(21) Appl. No.: **29/500,341**

(22) Filed: **Aug. 25, 2014**

(51) **LOC (10) Cl.** **13-02**

(52) **U.S. Cl.**
USPC **D13/110**

(58) **Field of Classification Search**

USPC D13/110, 101, 103, 107, 108, 118, 119, 123, 133, 146, 184, 199; 307/150, 151; 320/111, 140, 143; 361/679; 363/146, 363/147; 439/502; D14/253, 432, 433, 434
CPC H01R 31/06; H01R 25/00; H02J 7/0062; H02M 7/003; H05K 7/1432
See application file for complete search history.

(56) **References Cited**

U.S. PATENT DOCUMENTS

2,143,529	A *	1/1939	White	206/351
D367,257	S *	2/1996	Buelow et al.	D13/110
5,507,667	A *	4/1996	Hahn et al.	439/501
5,898,256	A *	4/1999	Ide et al.	310/344
D446,499	S *	8/2001	Andre et al.	D13/110
D454,110	S *	3/2002	Andre et al.	D13/110
D561,093	S *	2/2008	Sween et al.	D13/110
D561,094	S *	2/2008	Sween et al.	D13/110

(Continued)

Primary Examiner — Derrick Holland
Assistant Examiner — Jennifer O King

(74) *Attorney, Agent, or Firm* — Terrile, Cannatti, Chambers & Holland, LLP; Stephen A. Terrile

(57) **CLAIM**

The ornamental design for a mobile power adapter, as shown and described.

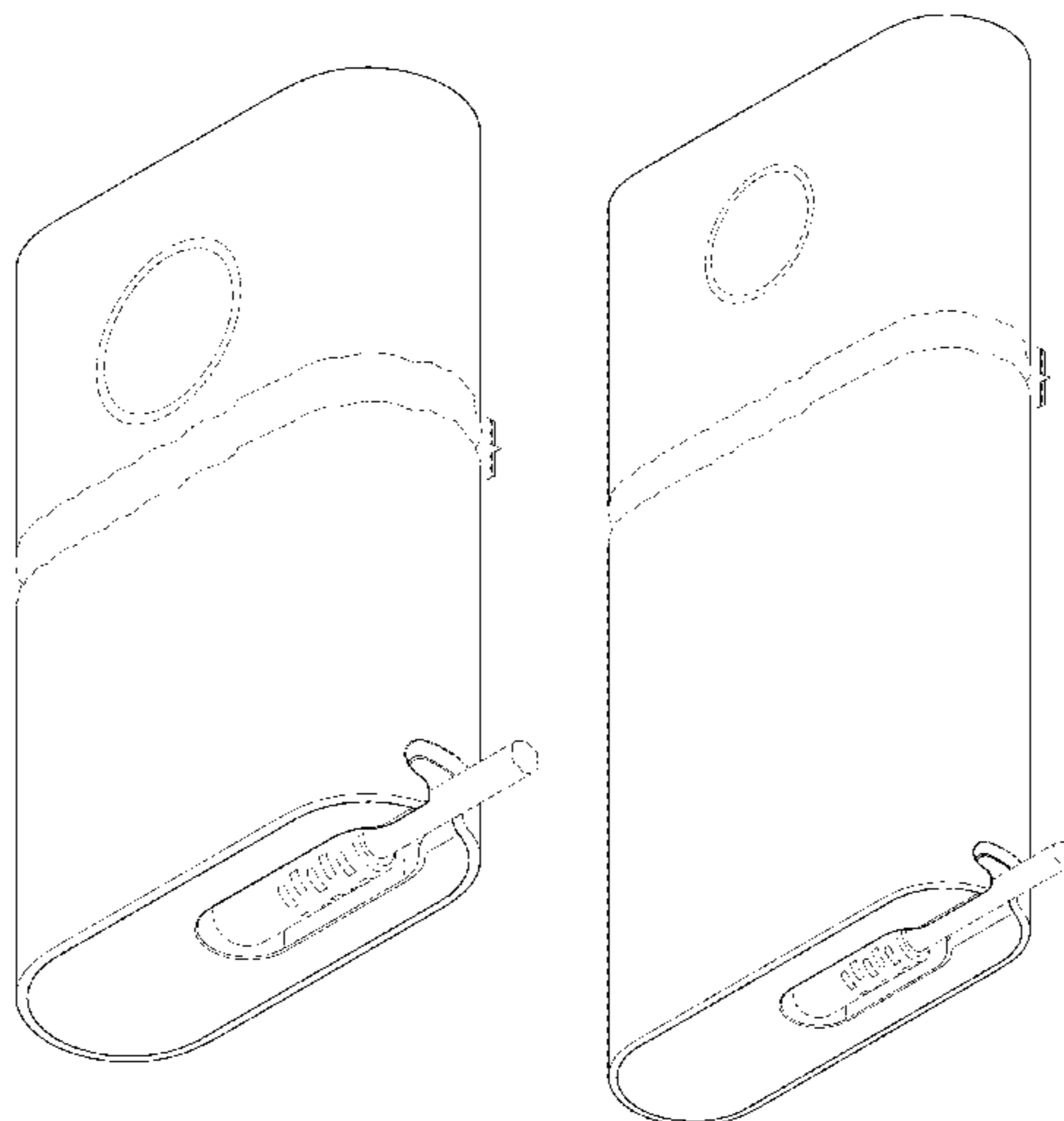
DESCRIPTION

FIG. 1 is a top perspective view of a mobile power adapter comprising the present invention; FIG. 2 is a top view thereof; FIG. 3 is a bottom view thereof; FIG. 4 is a right side view thereof; FIG. 5 is a left side view thereof; FIG. 6 is a front view thereof; FIG. 7 is a rear view thereof; FIG. 8 is a bottom perspective view thereof; FIG. 9 is another top perspective view thereof, shown in environmental use; FIG. 10 is another bottom perspective view thereof, shown in an alternate environmental use. FIG. 11 is a top perspective view of a second embodiment of a mobile power adapter comprising the present invention; FIG. 12 is a top view thereof; FIG. 13 is a bottom view thereof; FIG. 14 is a right side view thereof; FIG. 15 is a left side view thereof; FIG. 16 is a front view thereof; FIG. 17 is a rear view thereof; FIG. 18 is a rear perspective view thereof, shown in environmental use; FIG. 19 is another front perspective view thereof, shown in an alternate environmental use; and, FIG. 20 is another rear perspective view thereof.

The broken lines shown represent unclaimed subject matter and form no part of the claimed design.

The “mobile power adapter” is shown with a symbolic break in its length. The appearance of any portion of the article between the break lines forms no part of the claimed design.

1 Claim, 16 Drawing Sheets



(56)

References Cited

U.S. PATENT DOCUMENTS

D576,100 S *	9/2008	Wang	D13/110	D651,564 S *	1/2012	Workman et al.	D13/108
D585,367 S *	1/2009	Dunbar et al.	D13/108	D665,734 S *	8/2012	Fitch et al.	D13/107
D617,268 S *	6/2010	Yen	D13/108	D667,788 S *	9/2012	Mai	D13/110
D628,535 S *	12/2010	Cheng	D13/108	D671,491 S *	11/2012	Zaslavsky et al.	D13/110
D631,838 S *	2/2011	Cheng	D13/108	D678,191 S *	3/2013	Fitch et al.	D13/108
D645,817 S *	9/2011	Sasada et al.	D13/108	D686,988 S *	7/2013	Fawkes et al.	D13/110
					D704,640 S *	5/2014	Wen	D13/110
					2010/0151723 A1 *	6/2010	Su et al.	439/505

* cited by examiner

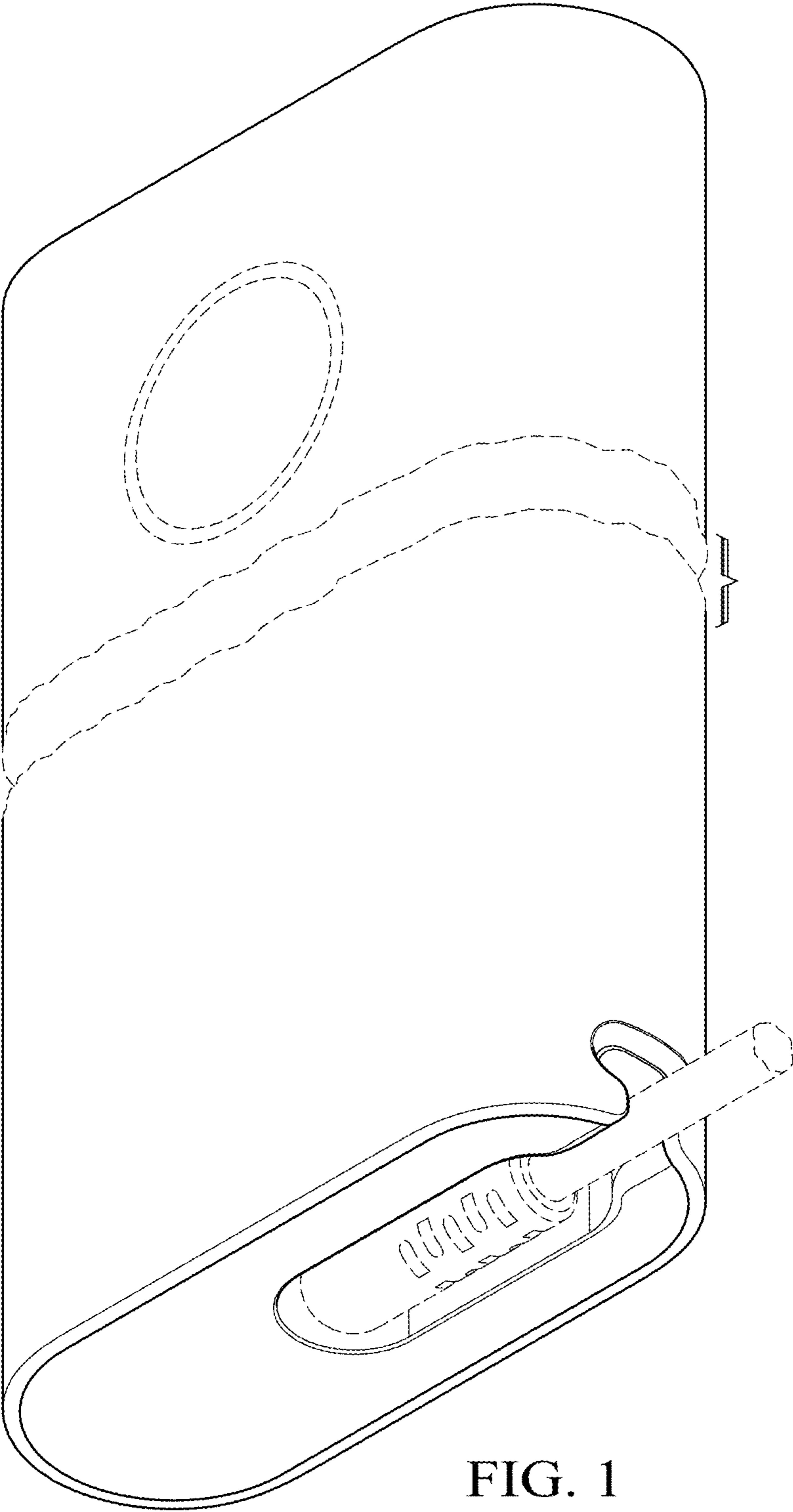


FIG. 1

FIG. 2

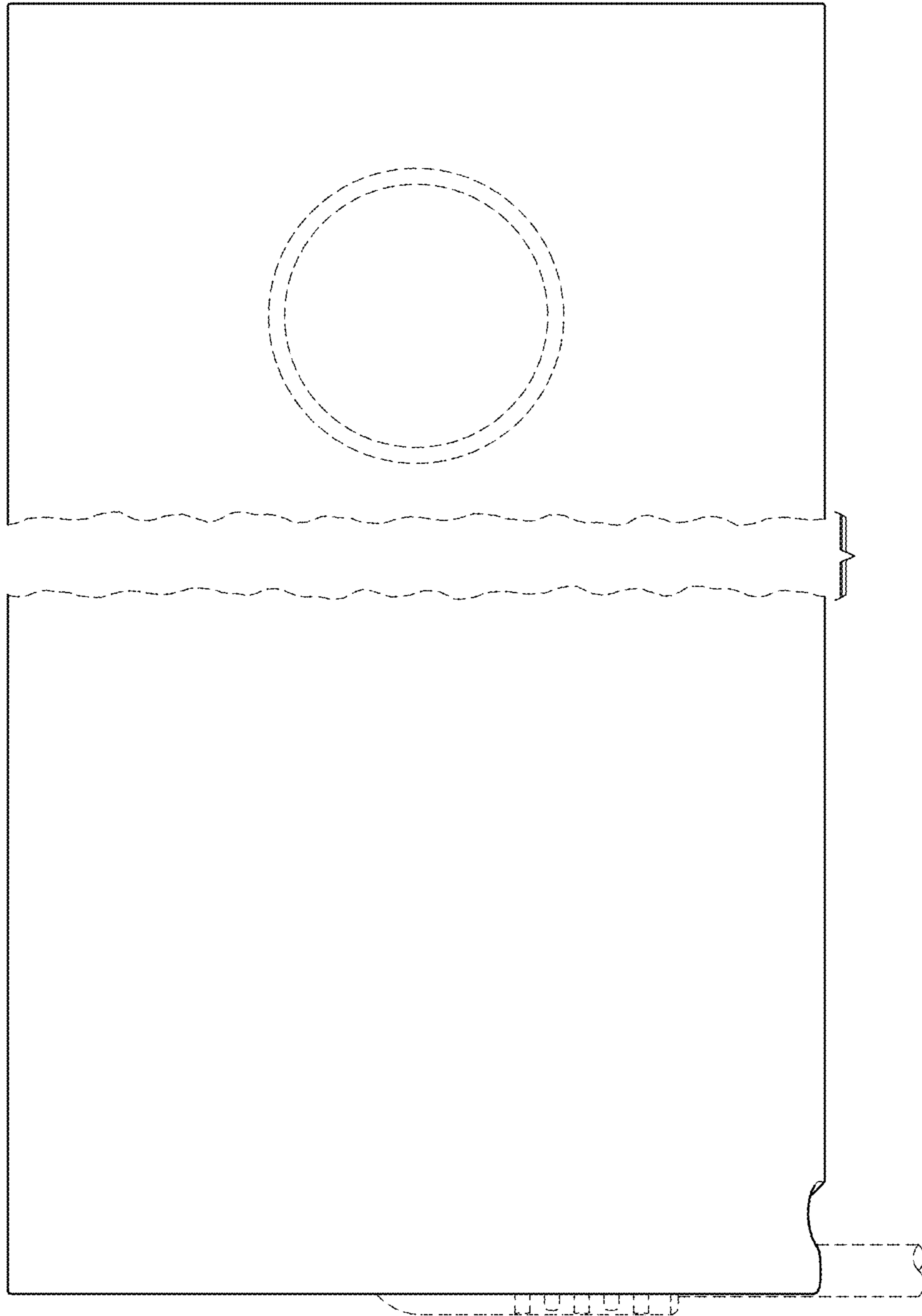


FIG. 3

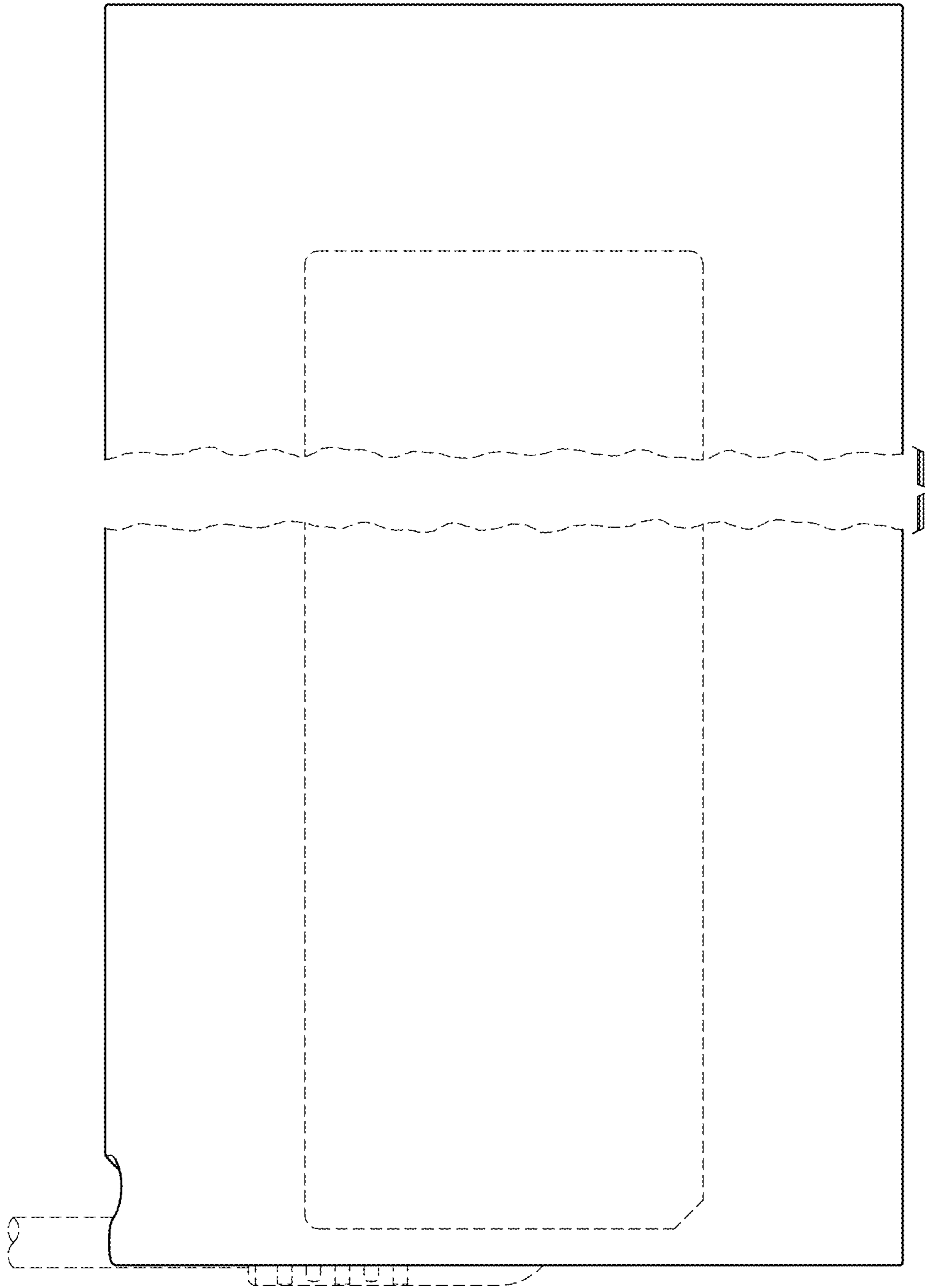


FIG. 4

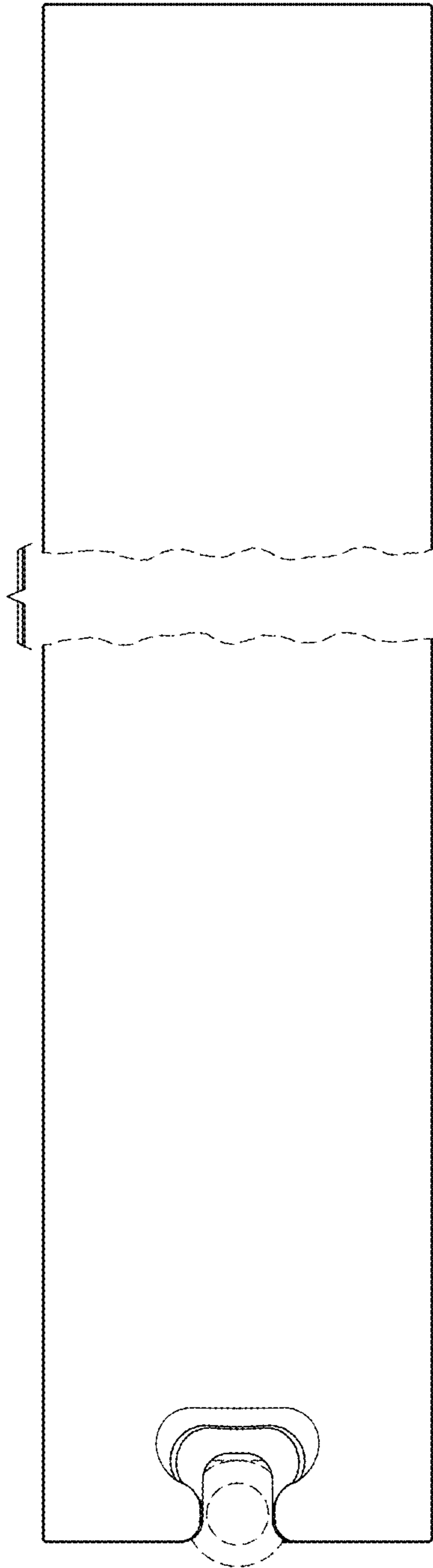


FIG. 5

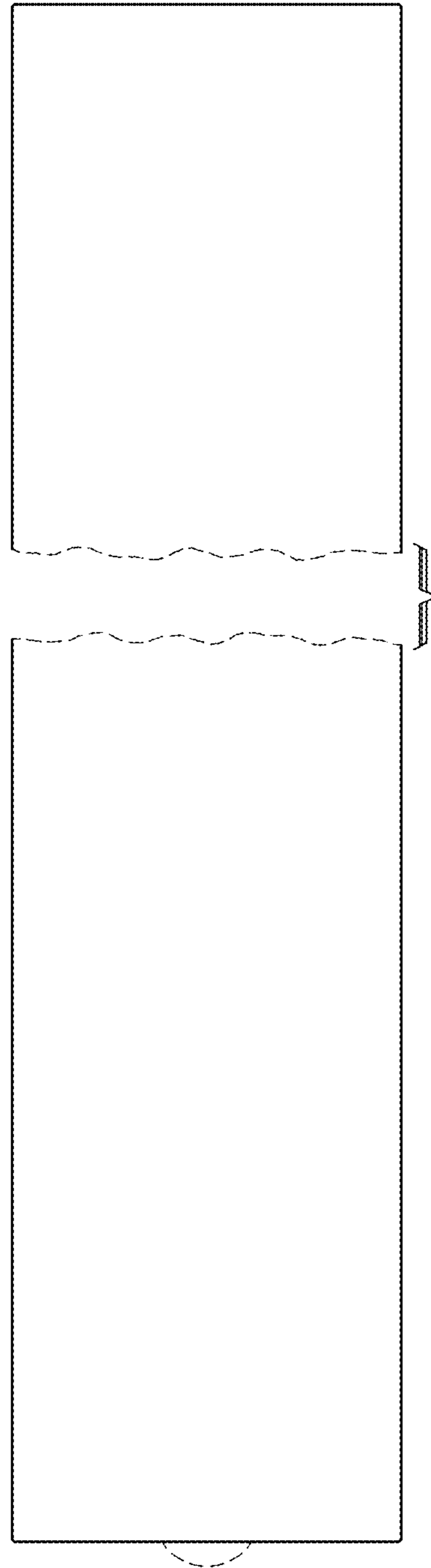


FIG. 6

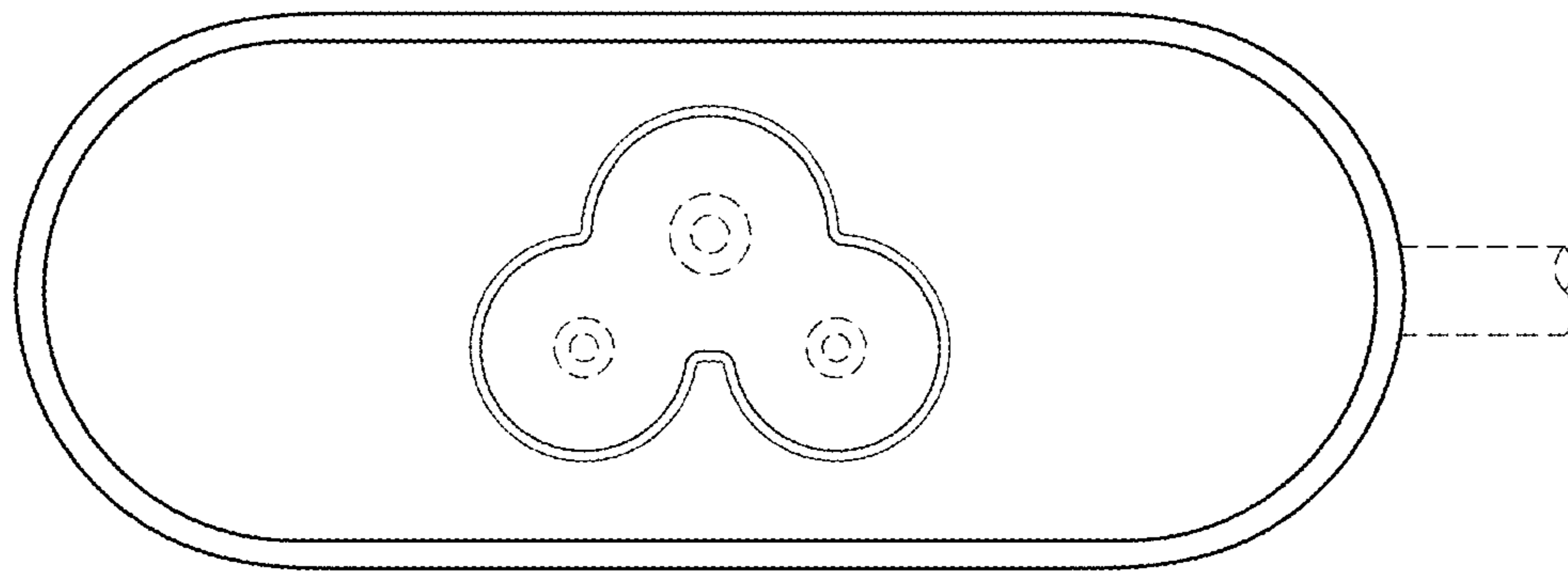
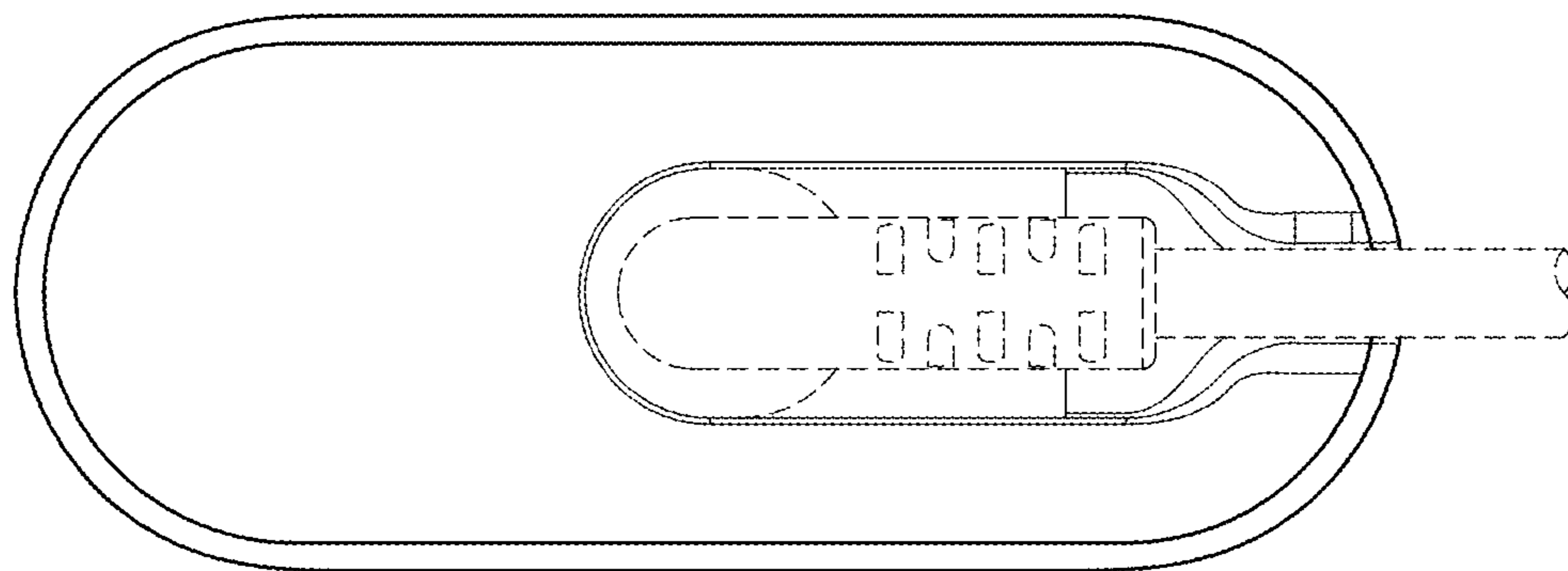


FIG. 7



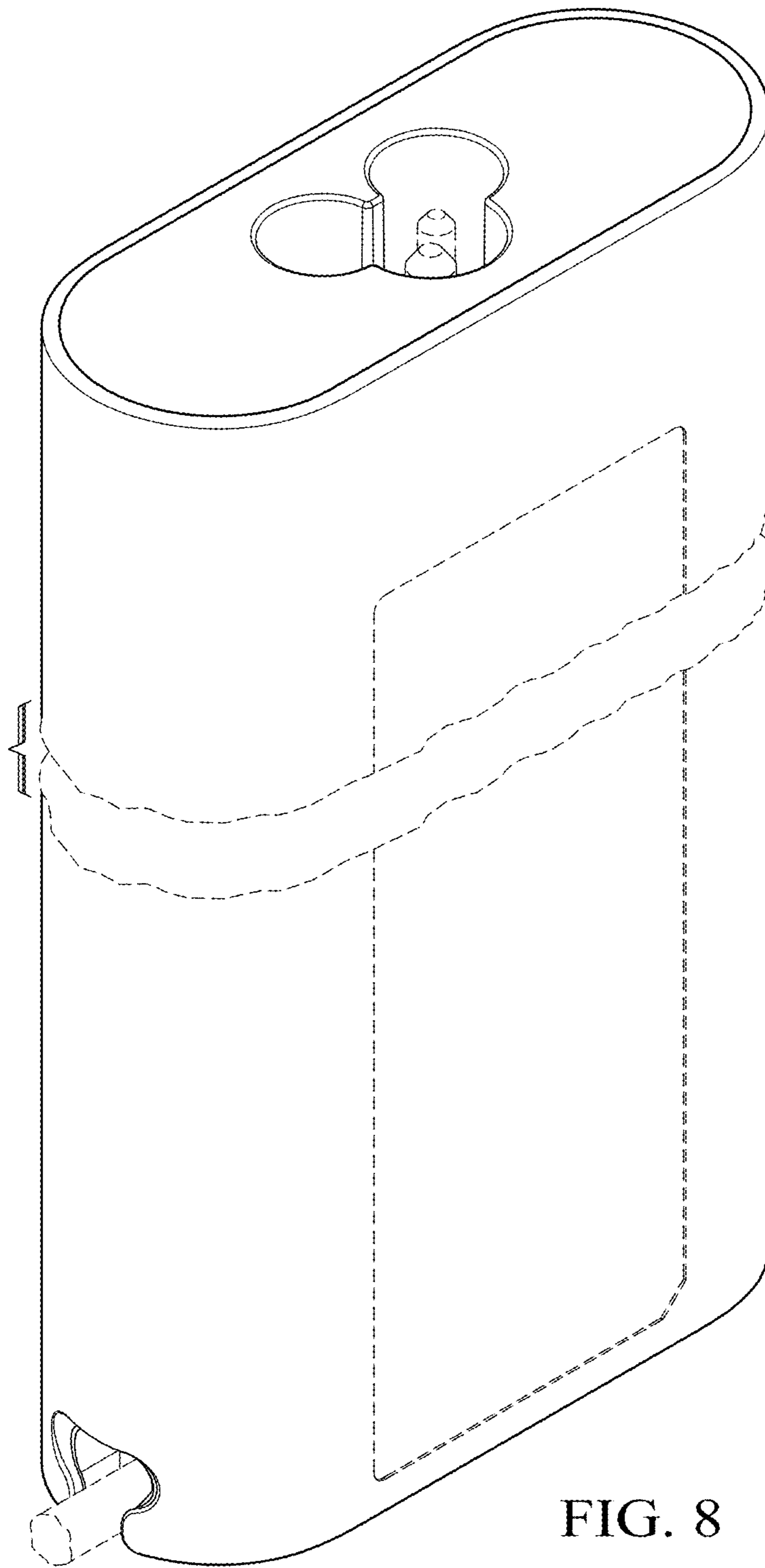


FIG. 8

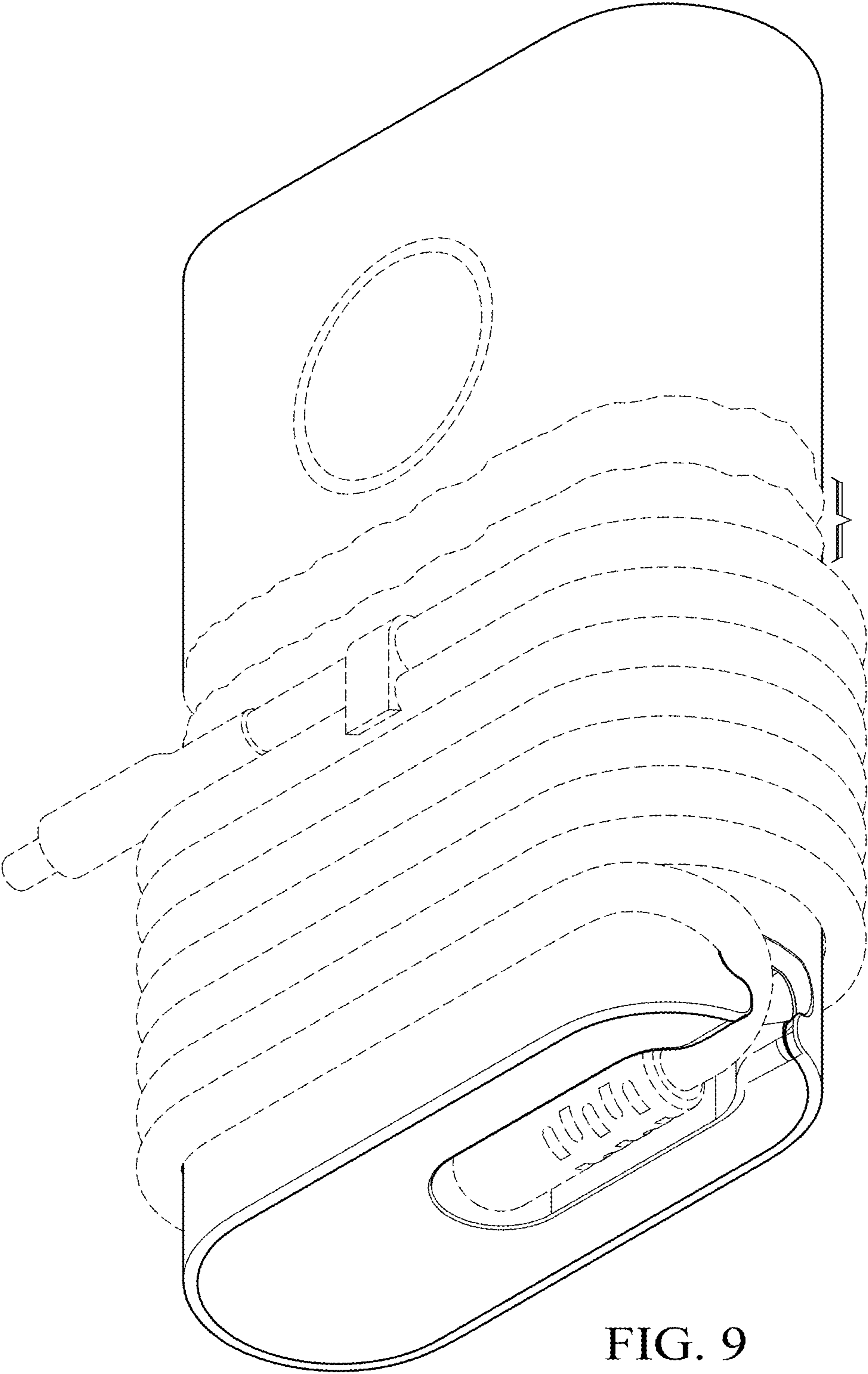


FIG. 9

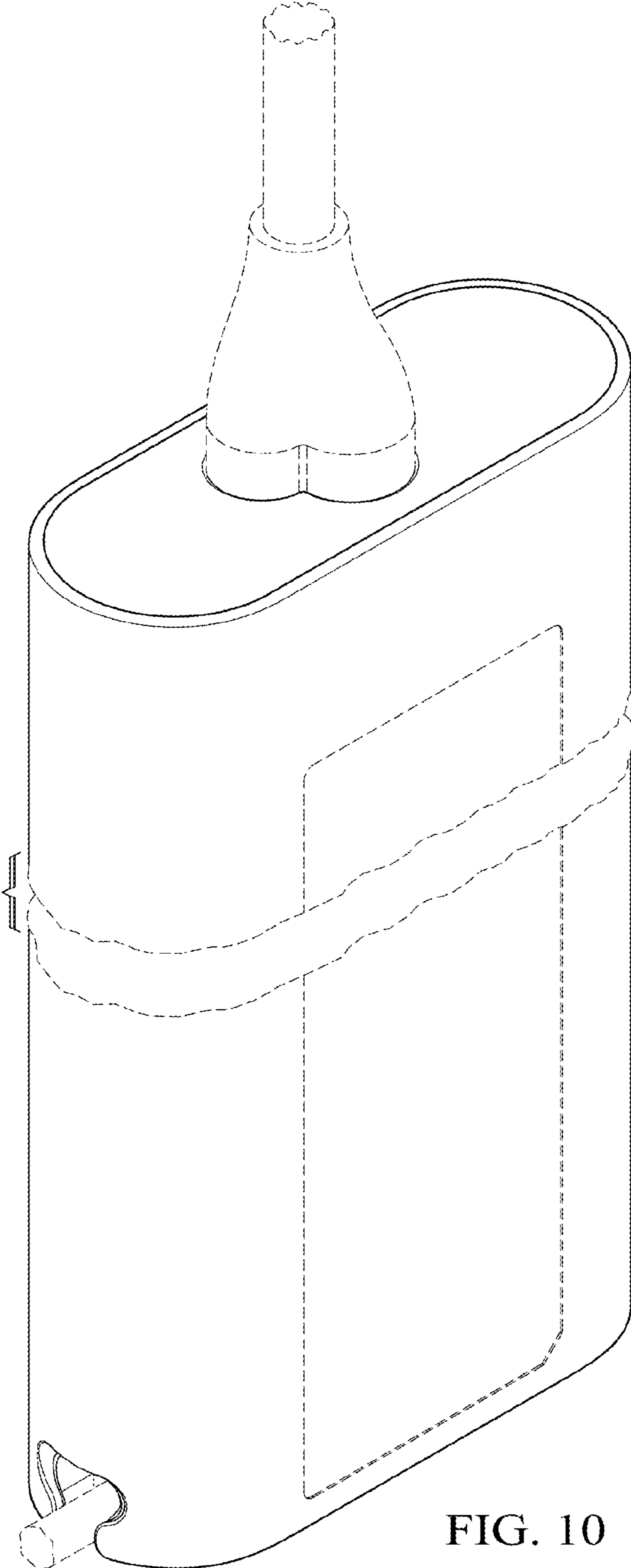


FIG. 10

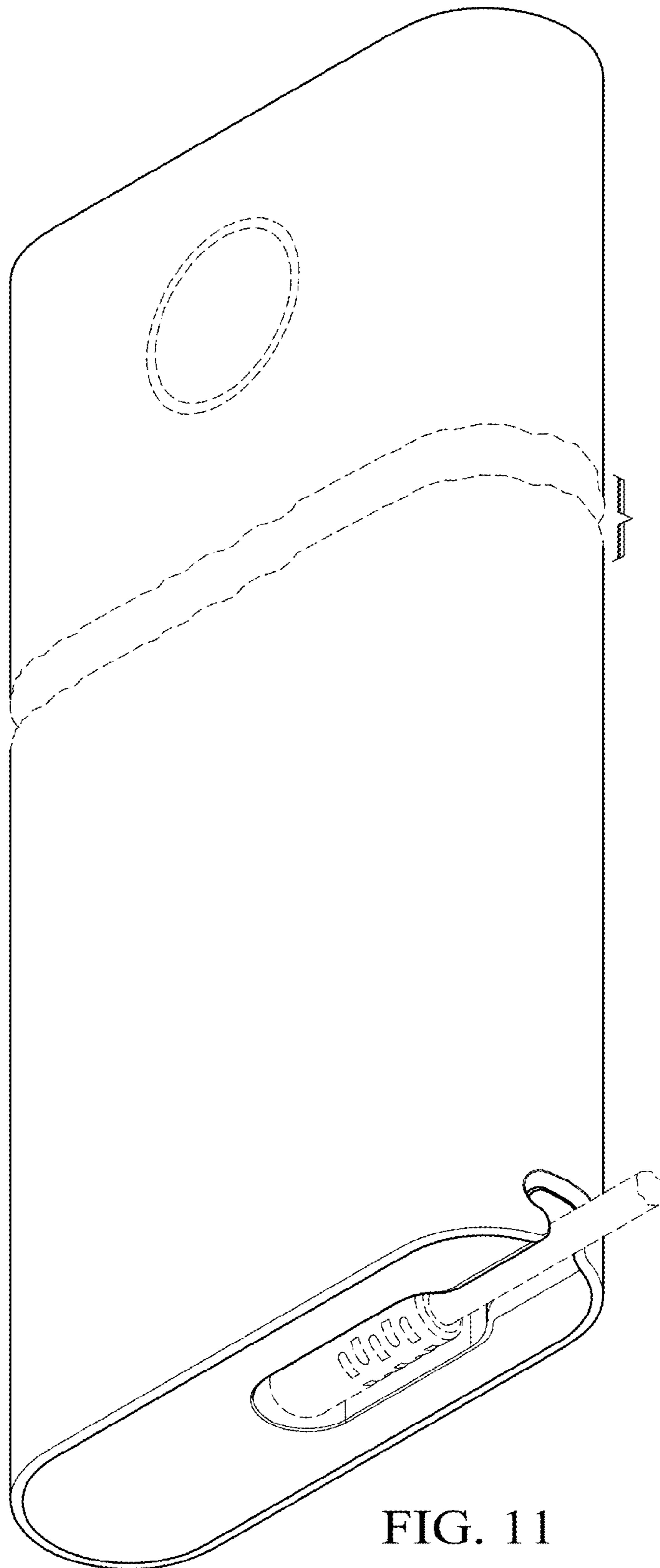


FIG. 11

FIG. 12

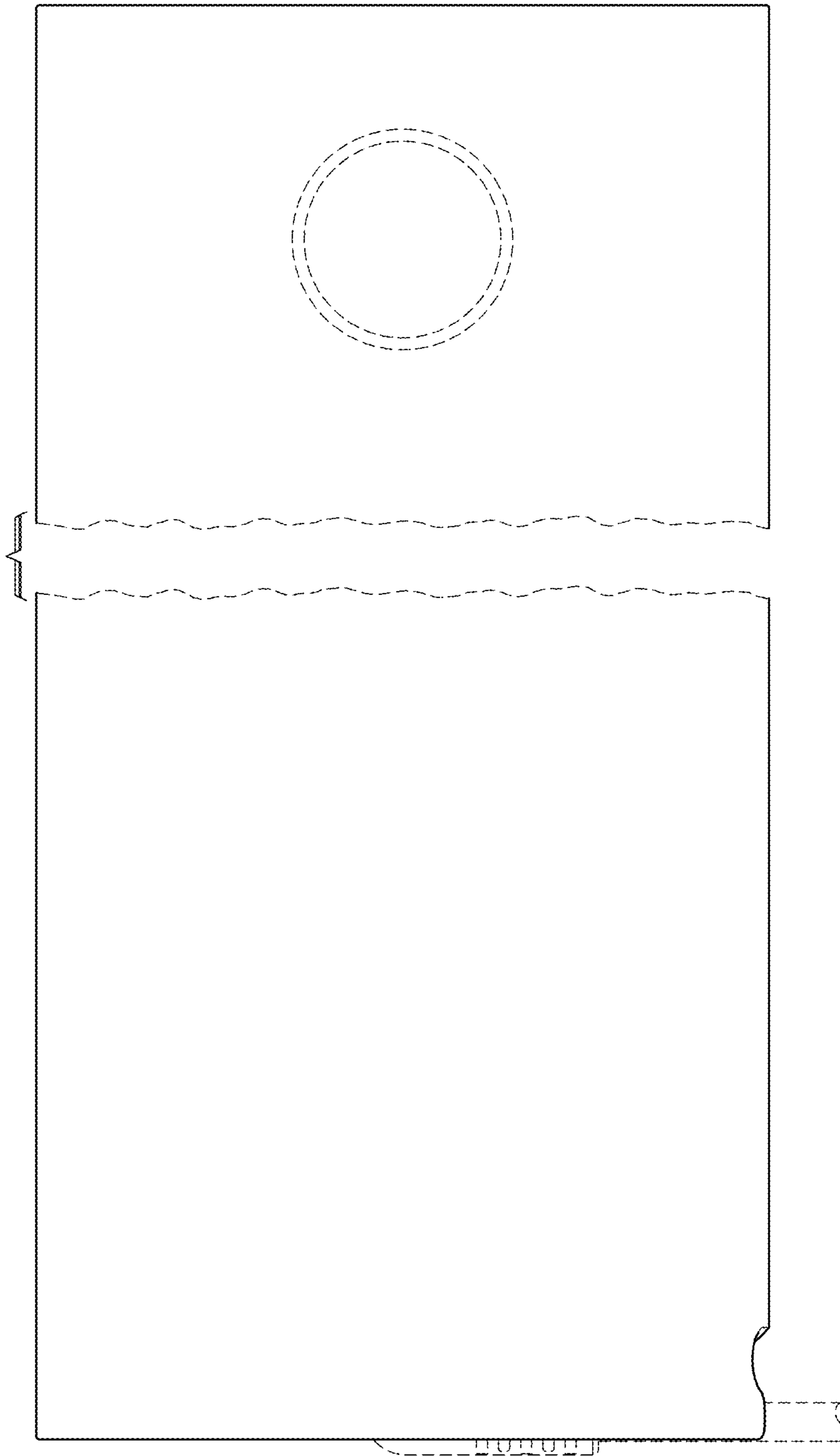


FIG. 13

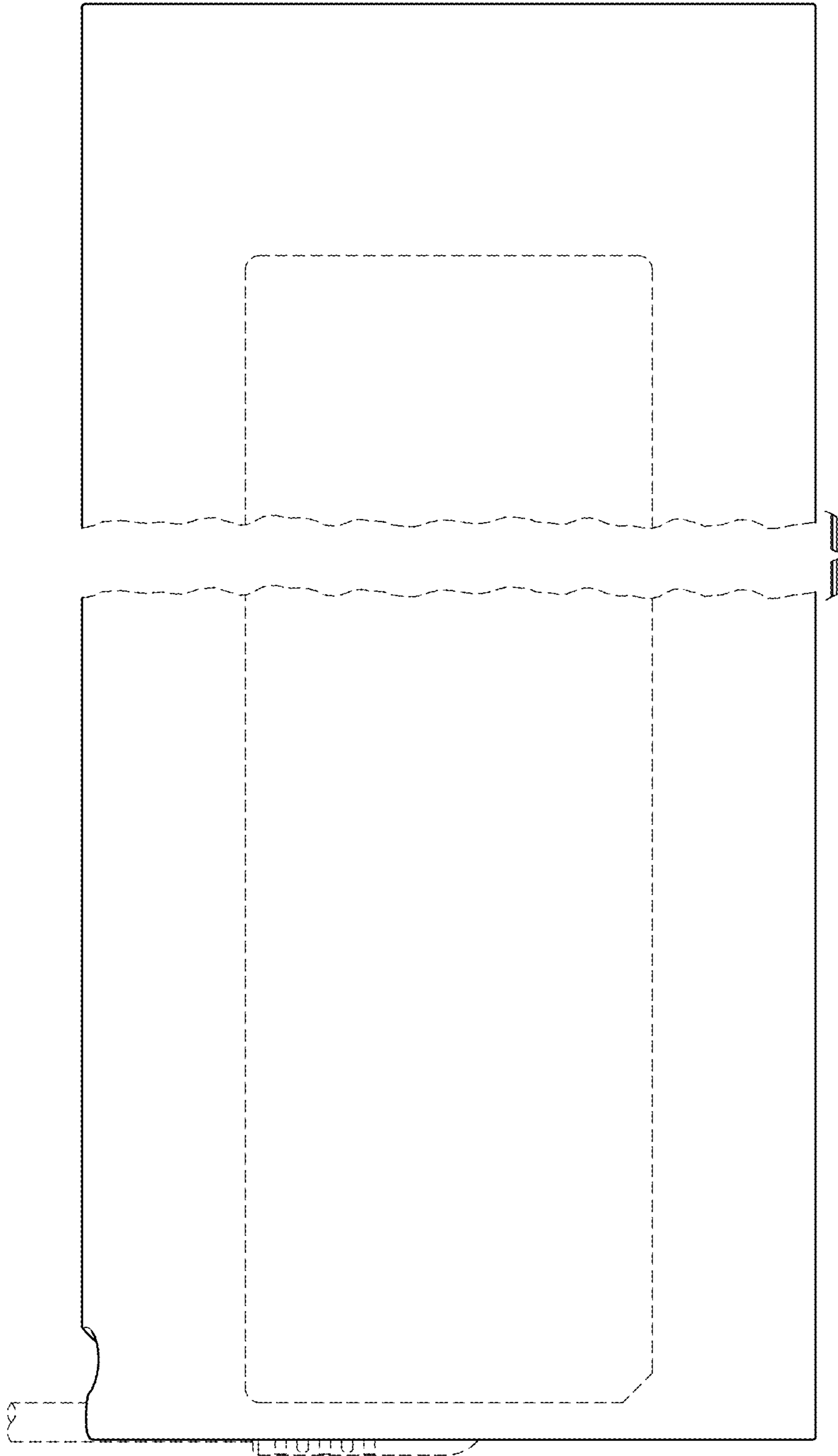


FIG. 14

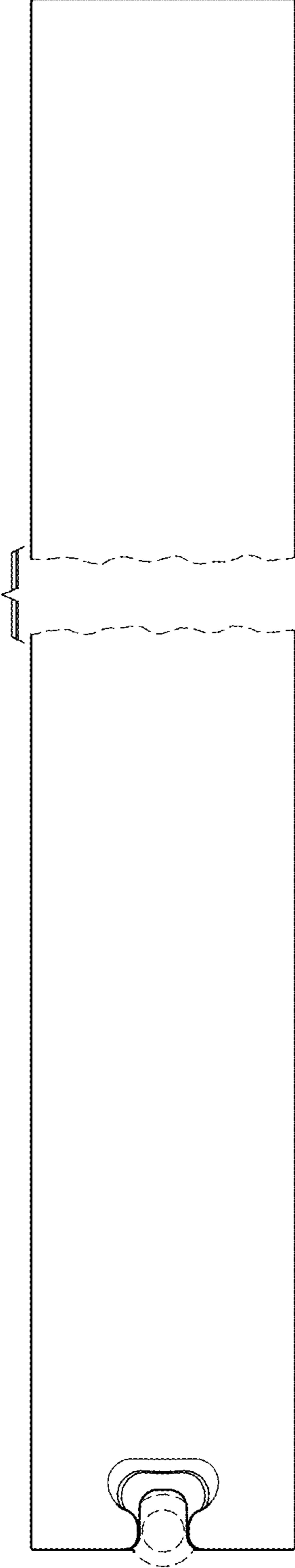


FIG. 15

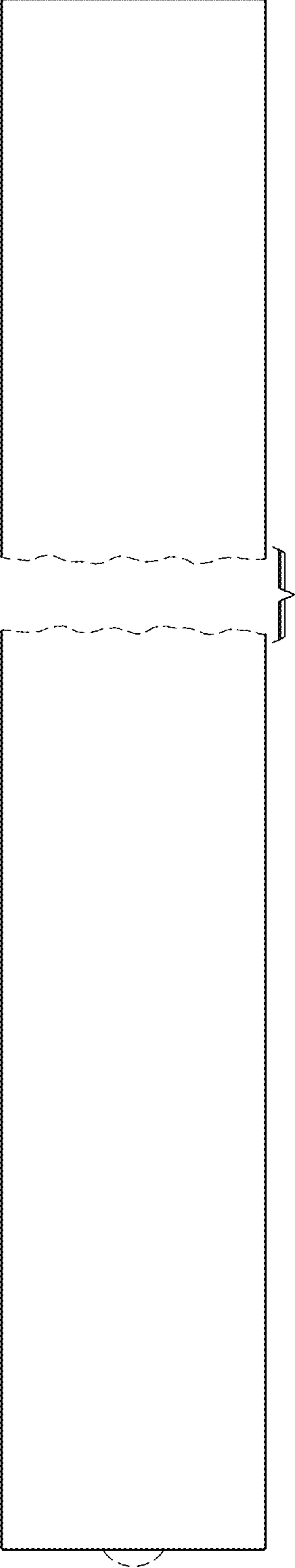


FIG. 16

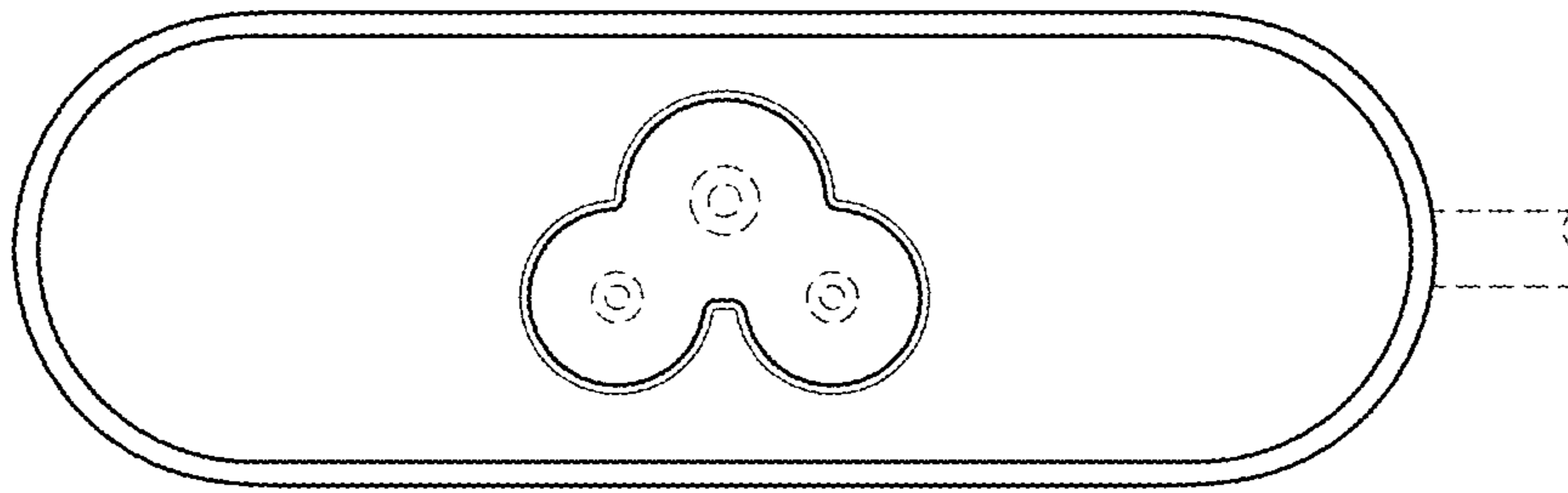
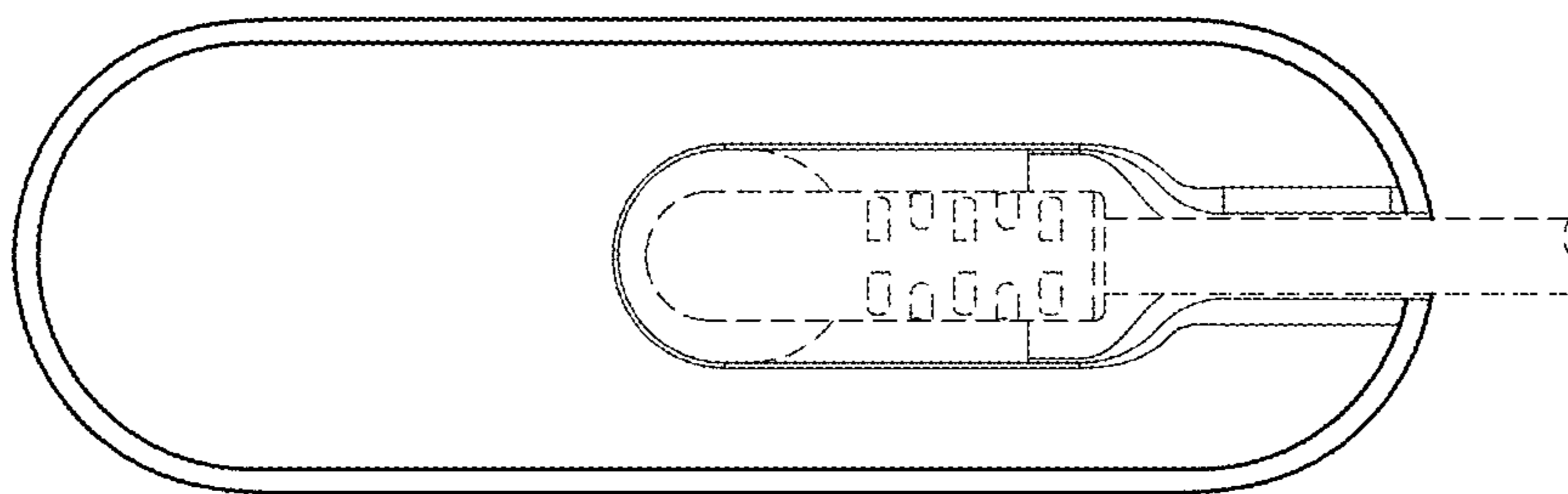


FIG. 17



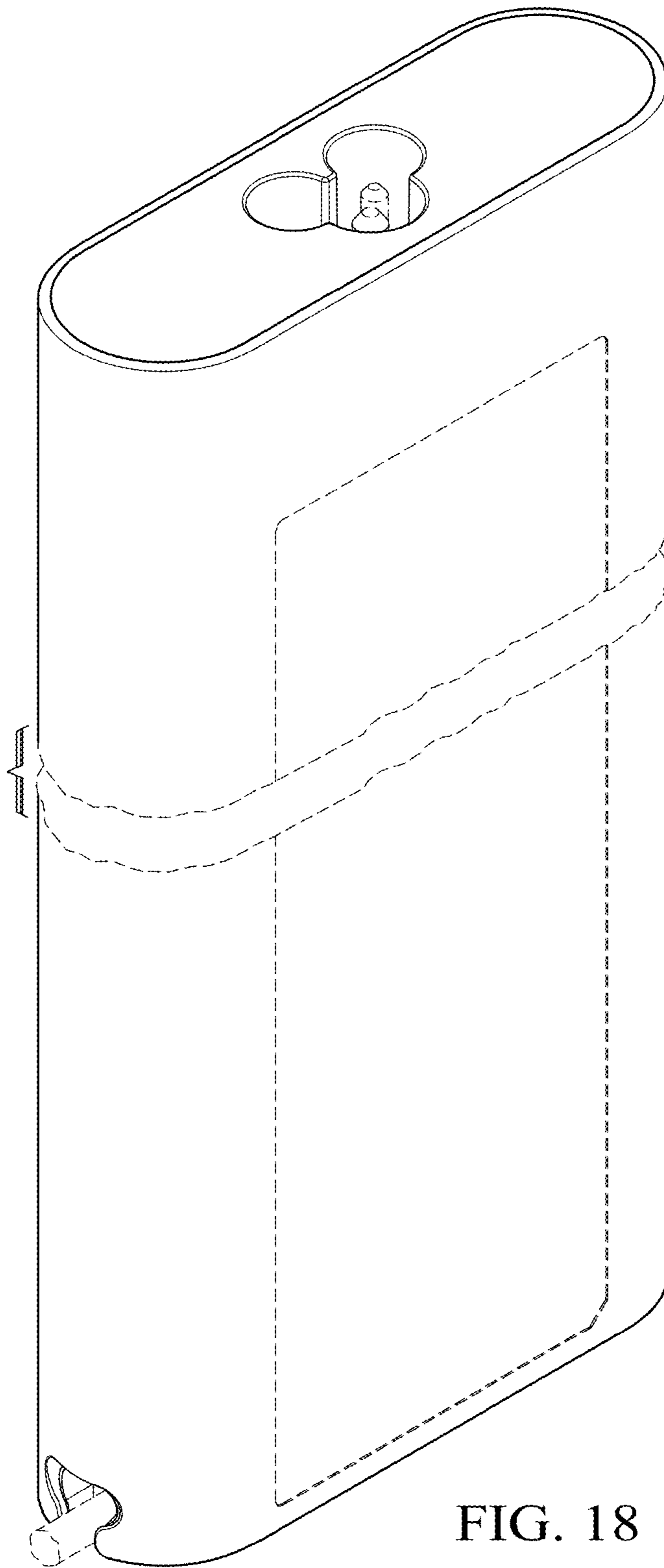


FIG. 18

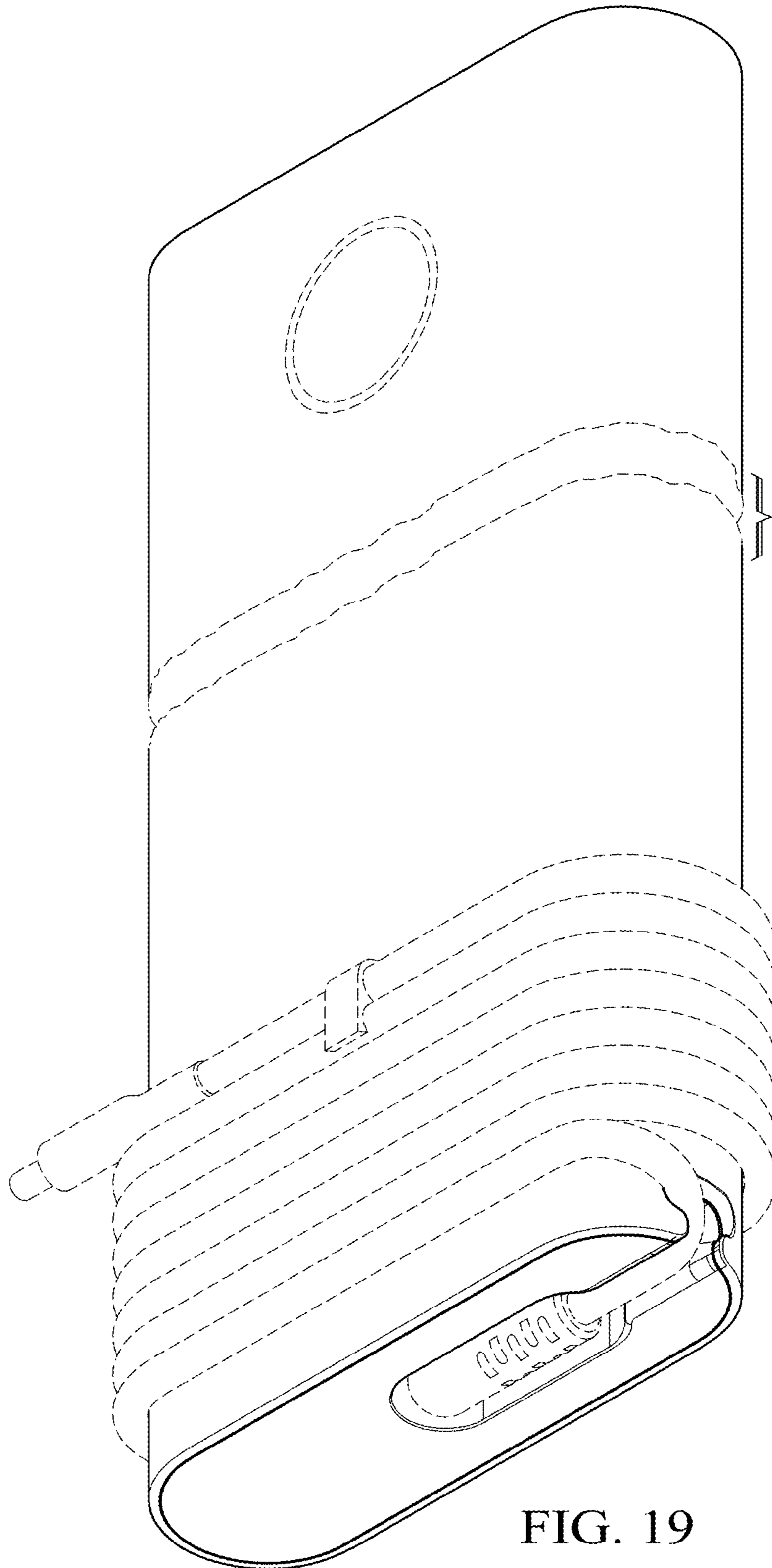


FIG. 19

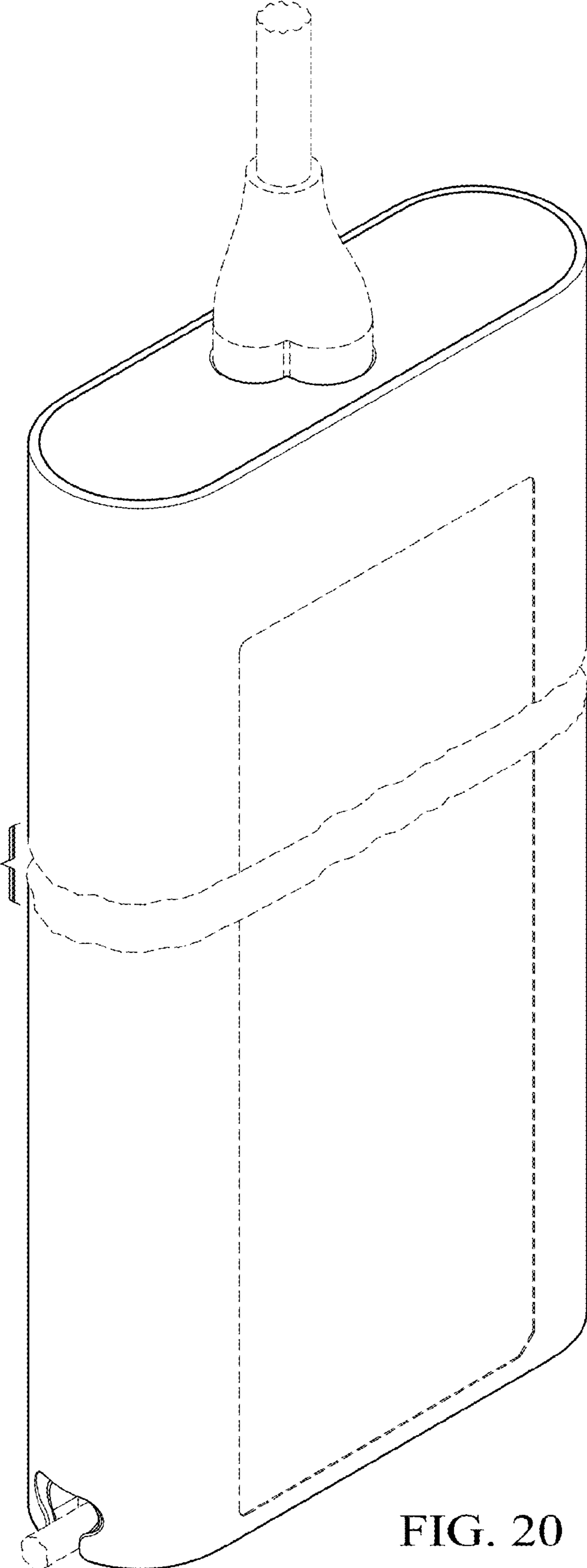


FIG. 20