



US00D743884S

(12) **United States Design Patent**
Kotaniemi et al.

(10) **Patent No.:** **US D743,884 S**

(45) **Date of Patent:** **** Nov. 24, 2015**

(54) **CHARGING STATION**

(71) Applicant: **Aitico Oy**, Lahti (FI)

(72) Inventors: **Sari Kotaniemi**, Oulu (FI); **Juho Tuovila**, Oulu (FI); **Harri Ahola**, Oulundsalo (FI); **Marko Puharinen**, Kuopio (FI); **Tommi Takkinen**, Oulu (FI); **Evgeny Lykov**, Mestakyla (FI)

(73) Assignee: **AITICO OY**, Lahti (FI)

(**) Term: **14 Years**

(21) Appl. No.: **29/469,607**

(22) Filed: **Oct. 11, 2013**

(30) **Foreign Application Priority Data**

May 13, 2013 (EM) 002235739

(51) **LOC (10) Cl.** **13-02**

(52) **U.S. Cl.**
USPC **D13/108**

(58) **Field of Classification Search**
USPC D13/107–110, 118–119, 184, 199;
D14/251, 253, 432, 434; 320/107–115,
320/128, 137–140
See application file for complete search history.

(56) **References Cited**

U.S. PATENT DOCUMENTS

D241,555 S *	9/1976	Goldman et al.	D13/107
D278,704 S *	5/1985	Claxton et al.	D13/107
D322,060 S *	12/1991	Iino	D13/107
5,317,691 A *	5/1994	Traeger	709/250
D350,329 S *	9/1994	Lindeman et al.	D13/107
D359,474 S *	6/1995	Palatov	D13/108
D388,764 S *	1/1998	Bartling et al.	D13/107
D395,281 S *	6/1998	Waldner	D13/108
D397,084 S *	8/1998	Siddoway	D13/107
D402,258 S *	12/1998	Kawakami	D13/107
D526,995 S *	8/2006	Claxton et al.	D14/253

D609,637 S *	2/2010	Chu et al.	D13/108
7,777,448 B2 *	8/2010	Beghelli	320/113
D629,355 S *	12/2010	Bodley et al.	D13/108
D631,435 S *	1/2011	Cacioppo et al.	D13/107
7,888,913 B1 *	2/2011	Marty et al.	320/132
D647,907 S *	11/2011	Perry et al.	D14/434
D654,019 S *	2/2012	Ikegame	D13/108
D675,622 S *	2/2013	Petrick et al.	D14/434
D710,797 S *	8/2014	Awiszus et al.	D13/107
2004/0080298 A1 *	4/2004	Maggert et al.	320/107
2007/0273330 A1 *	11/2007	Beghelli	320/113
2012/0194132 A1 *	8/2012	Ikegame	320/113
2013/0134930 A1 *	5/2013	Konkle et al.	320/108

* cited by examiner

Primary Examiner — Rosemary K Tarcza

(74) *Attorney, Agent, or Firm* — Klauber & Jackson LLC

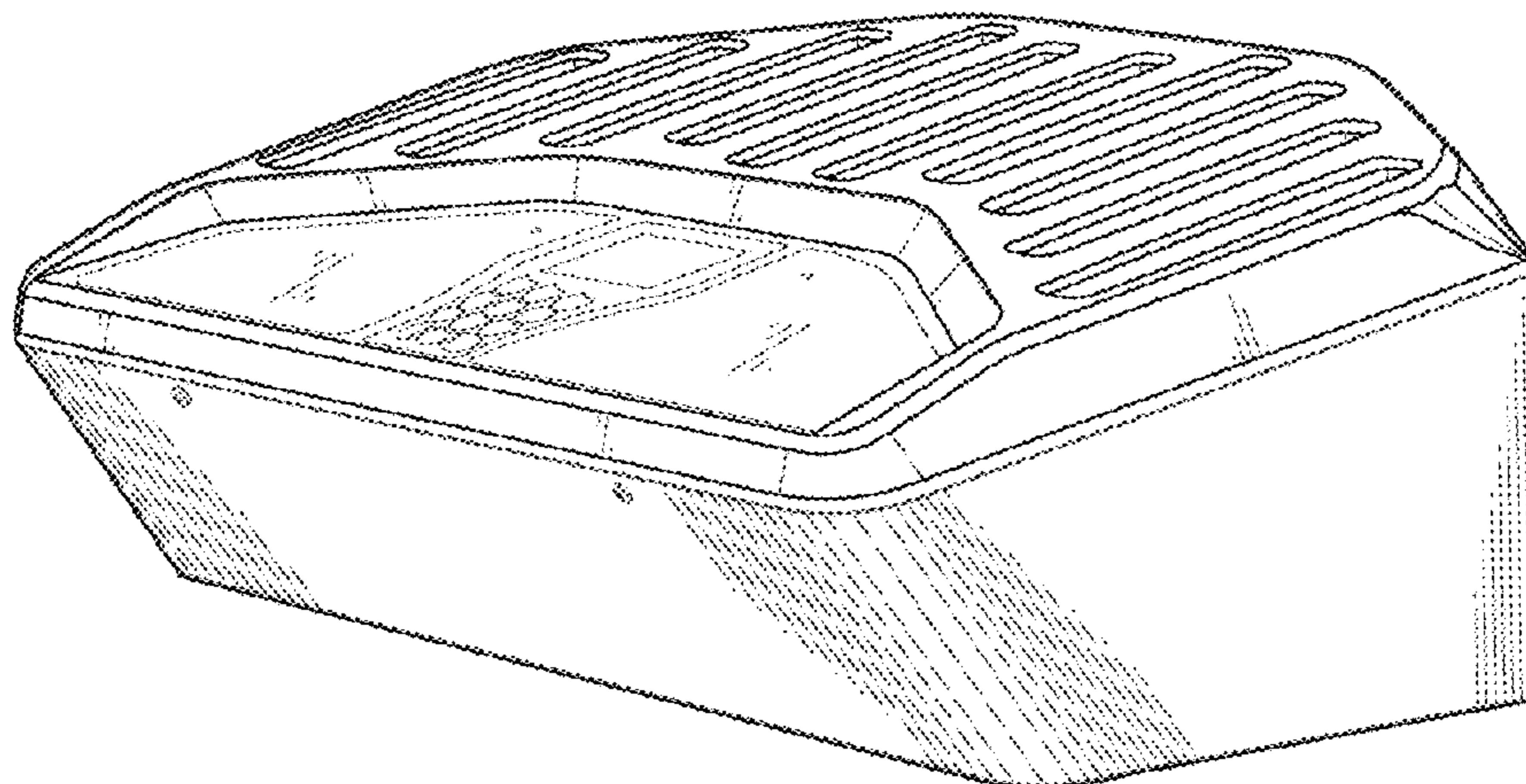
(57) **CLAIM**

The ornamental design for a charging station, as shown and described.

DESCRIPTION

FIG. 1 is a perspective view of the front, top and left side of a charging station showing our new design;
 FIG. 2 is a top view thereof;
 FIG. 3 is a front elevation view thereof;
 FIG. 4 is a rear view thereof;
 FIG. 5 is a left side view thereof;
 FIG. 6 is a right side view thereof;
 FIG. 7 is a bottom view thereof;
 FIG. 8 is a perspective view similar to FIG. 1, depicting the keyboard on the upper forward surface thereof in broken lines;
 FIG. 9 is front elevation view similar to FIG. 2, depicting the keyboard on the upper forward surface thereof in broken lines; and,
 FIG. 10 is a top view similar to FIG. 3, depicting the keyboard on the upper forward surface thereof in broken lines.
 The elements shown in broken lines in the drawings are included for the purpose of illustrating environmental structure and form no part of the claimed design.

1 Claim, 5 Drawing Sheets



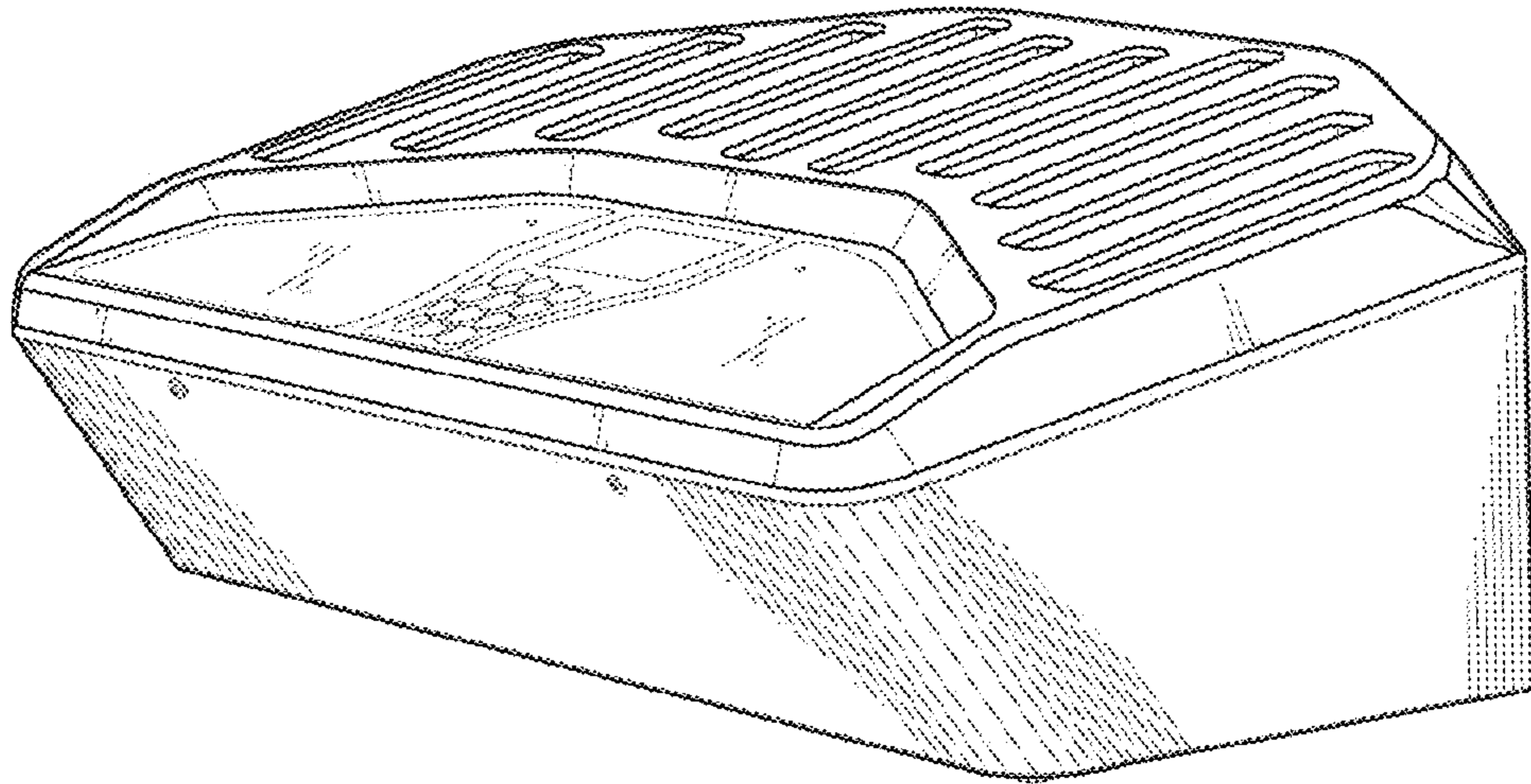


FIG. 1

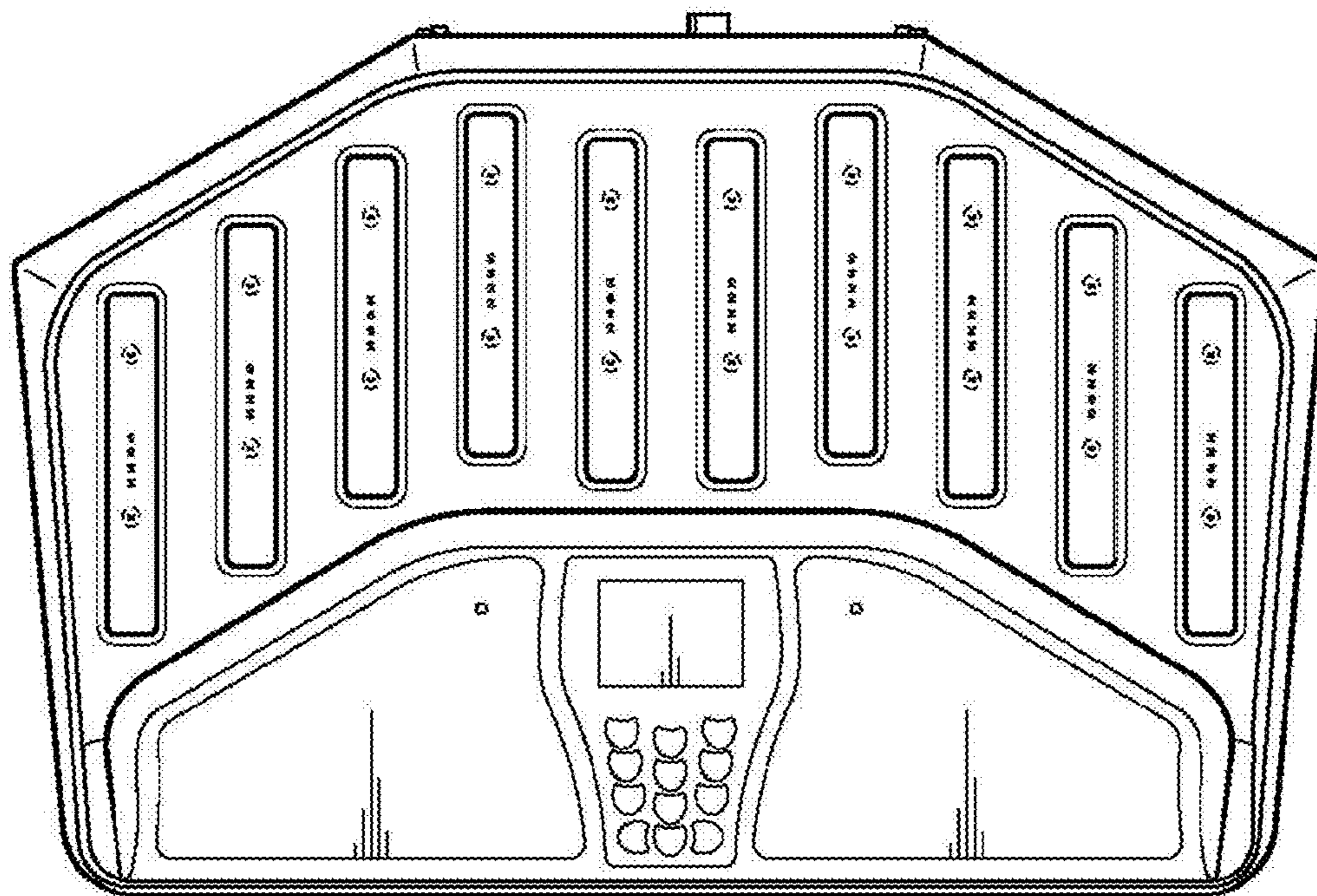


FIG. 2

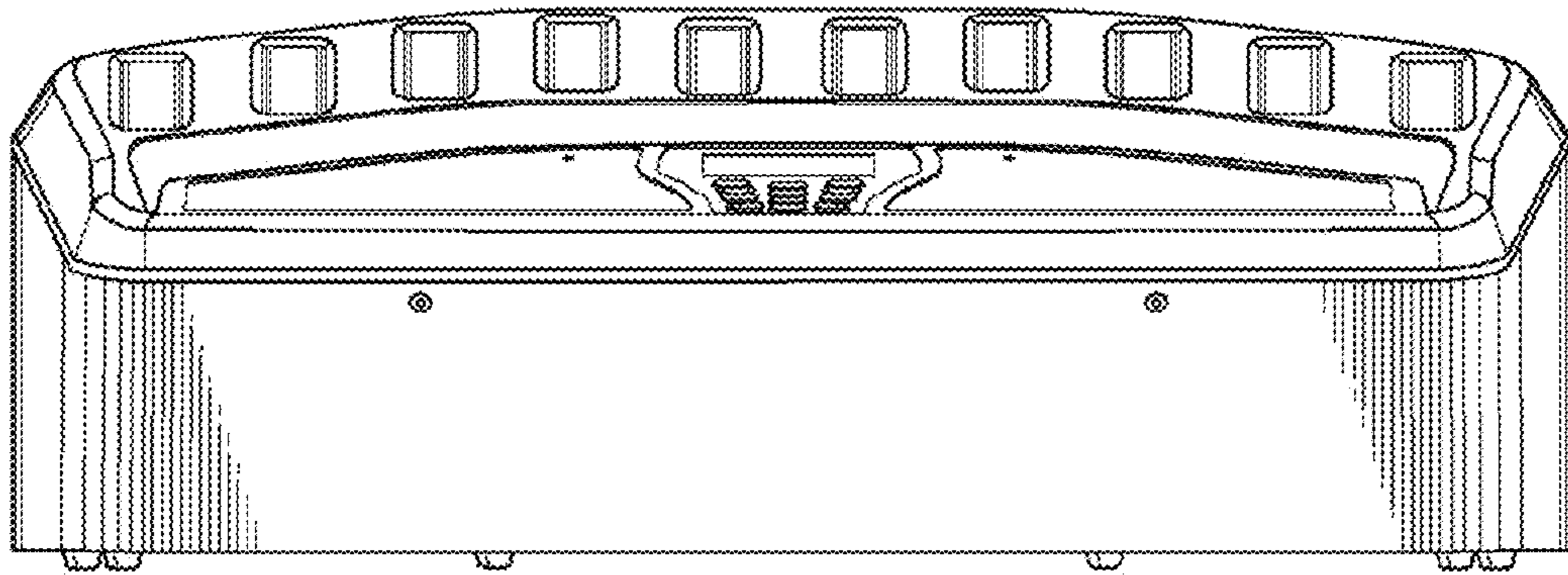


FIG. 3

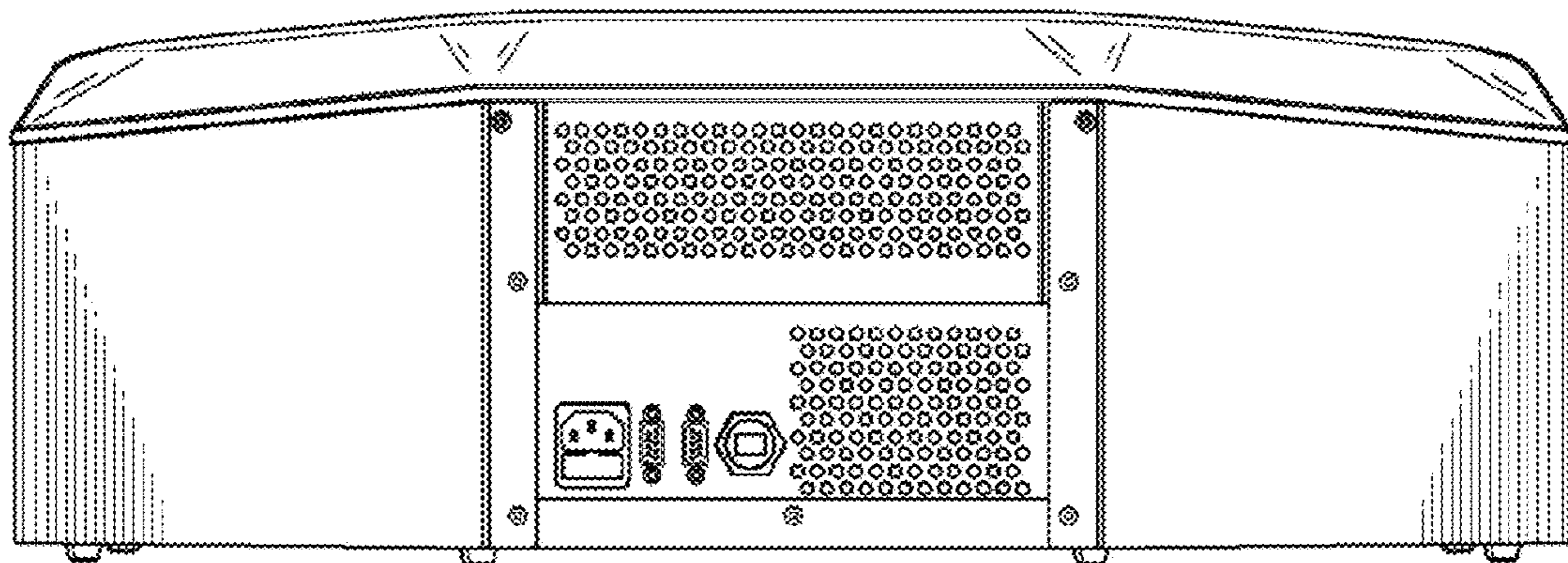


FIG. 4

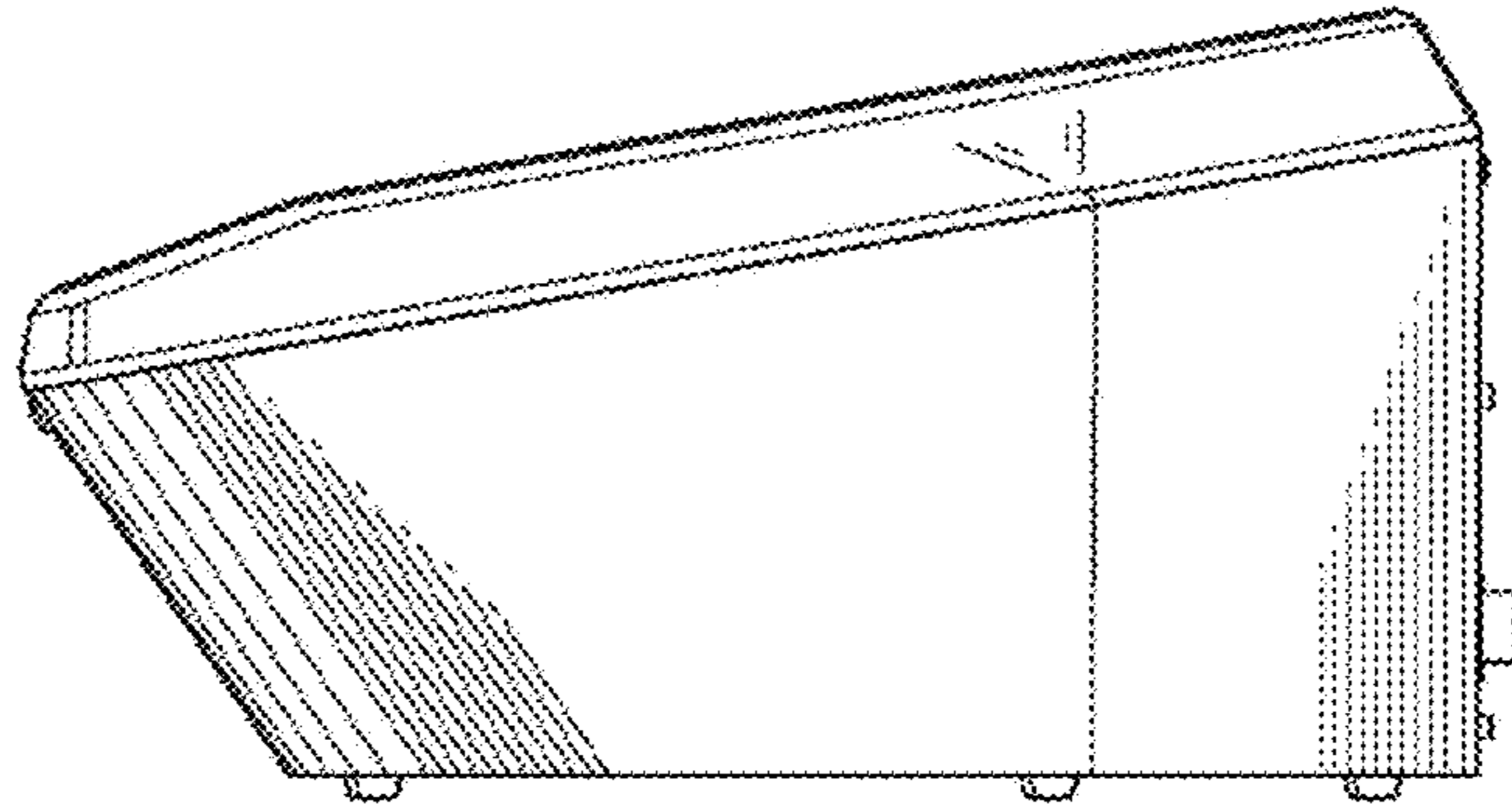


FIG. 5

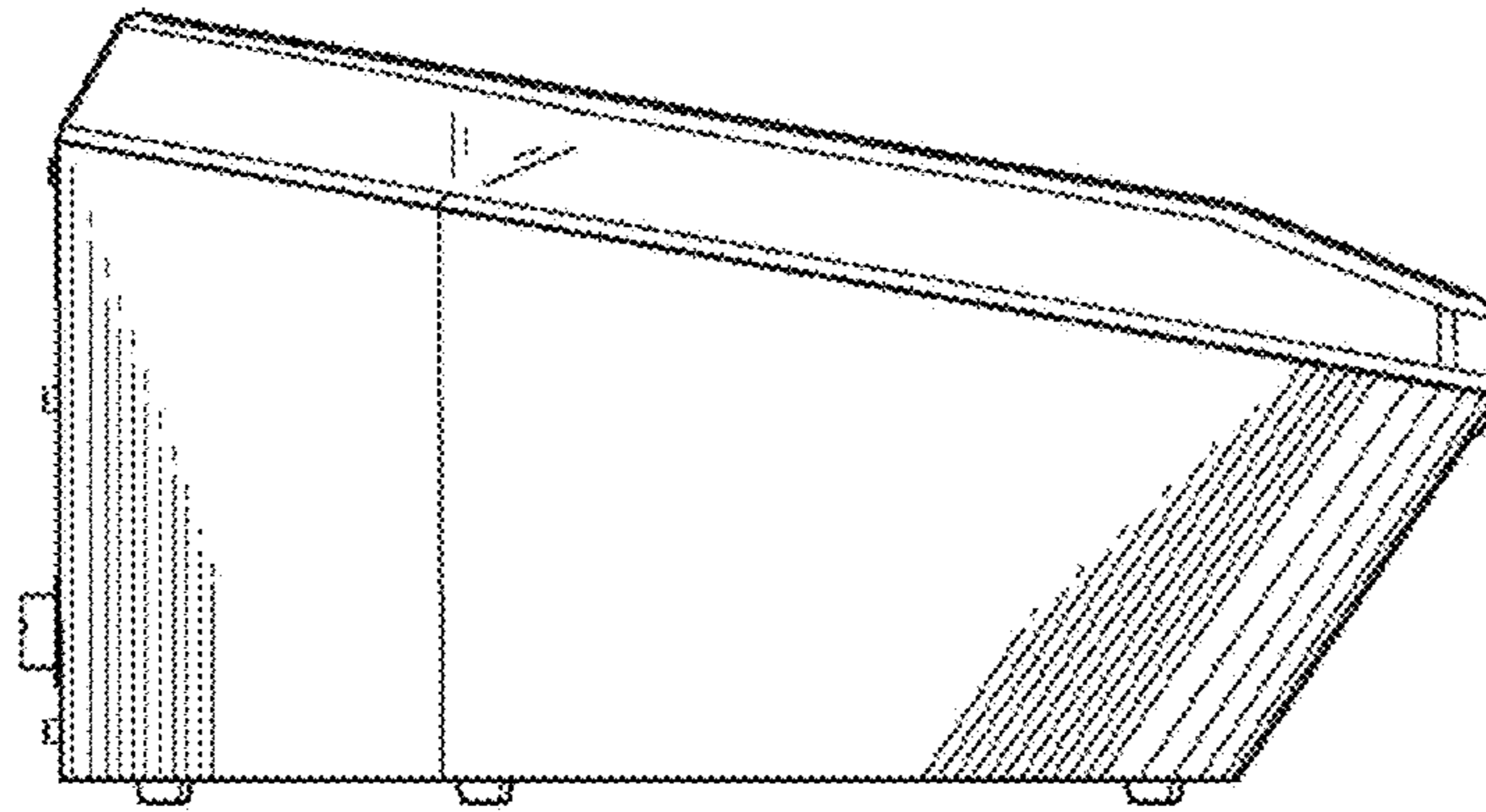


FIG. 6

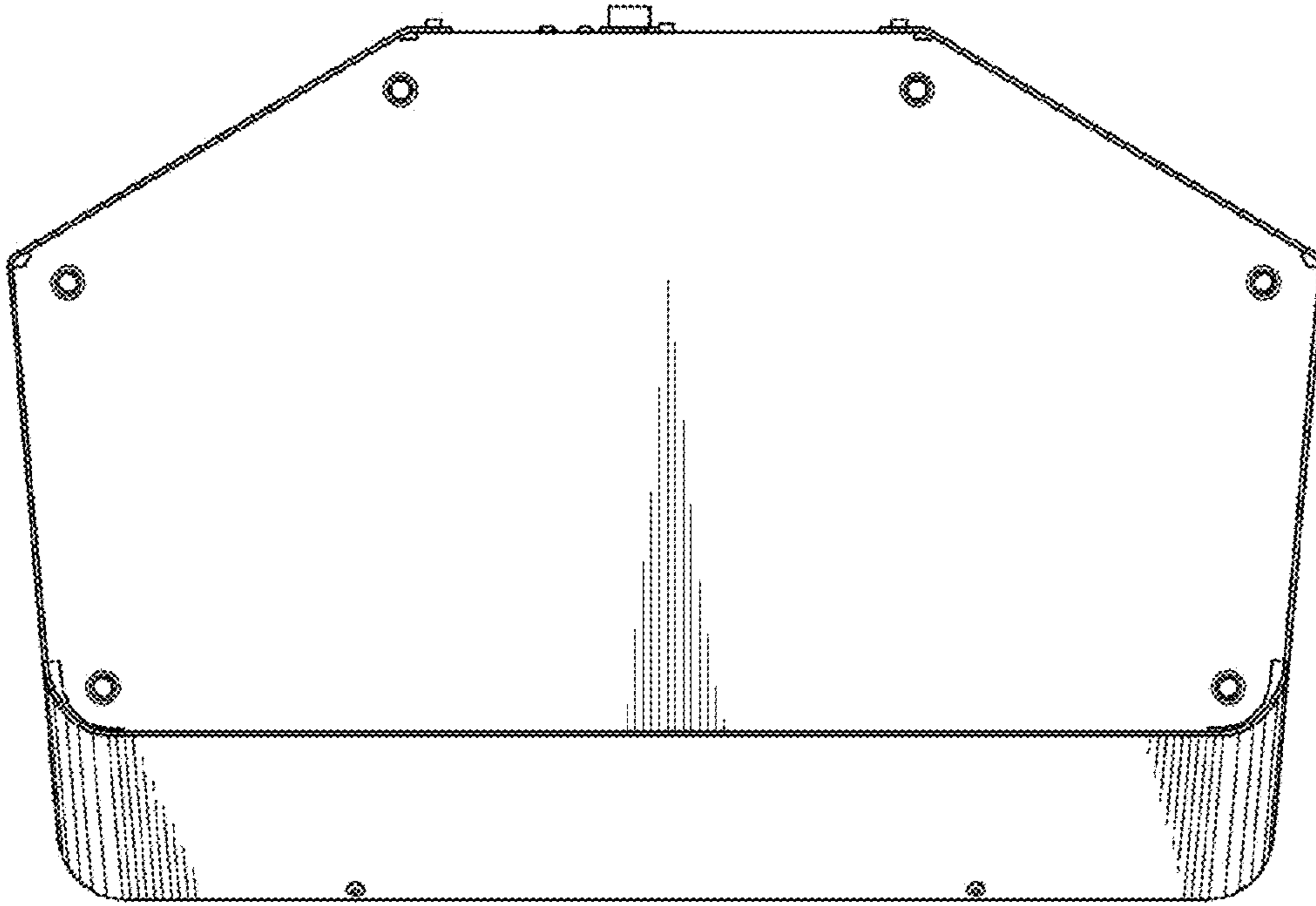


FIG. 7

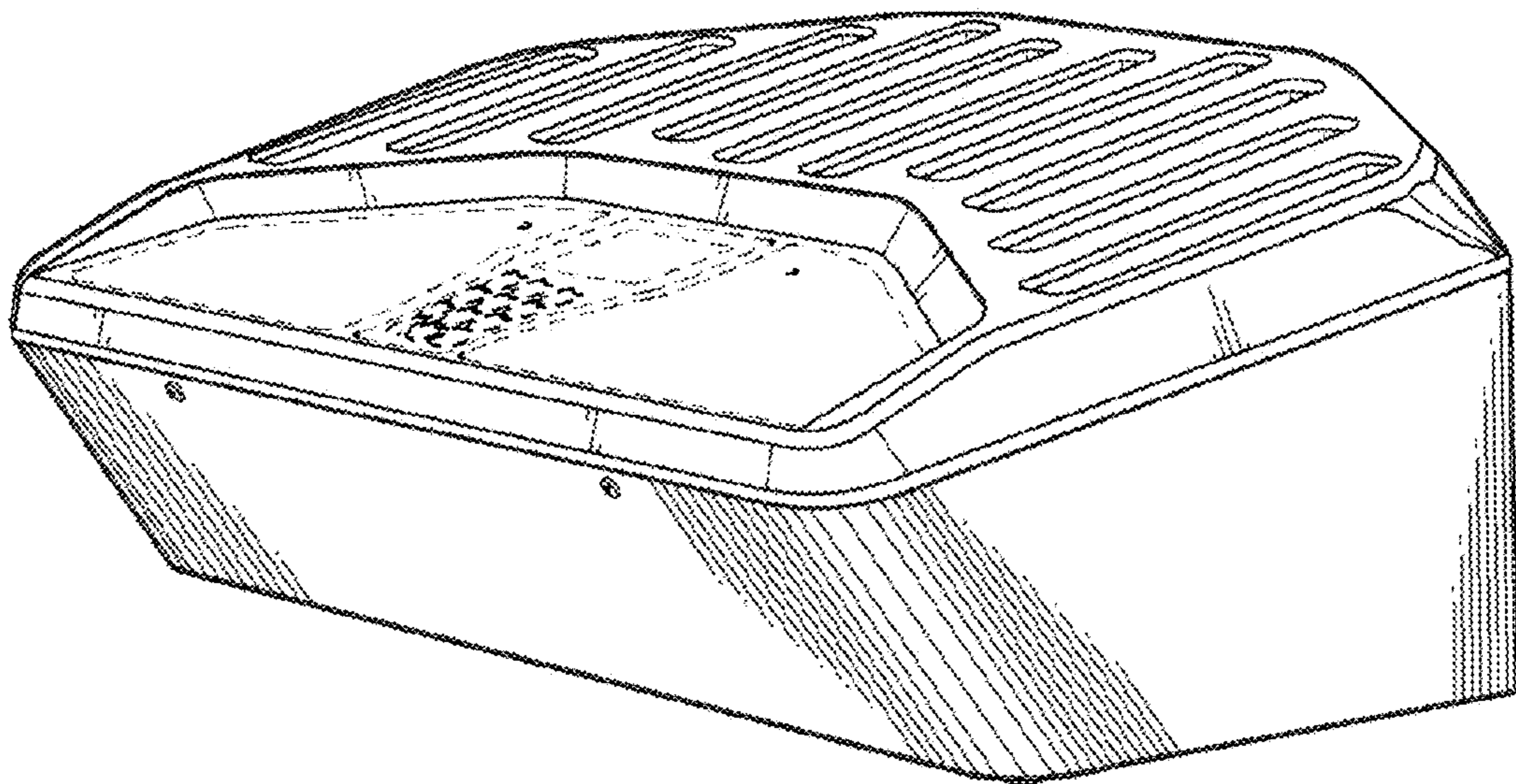


FIG. 8

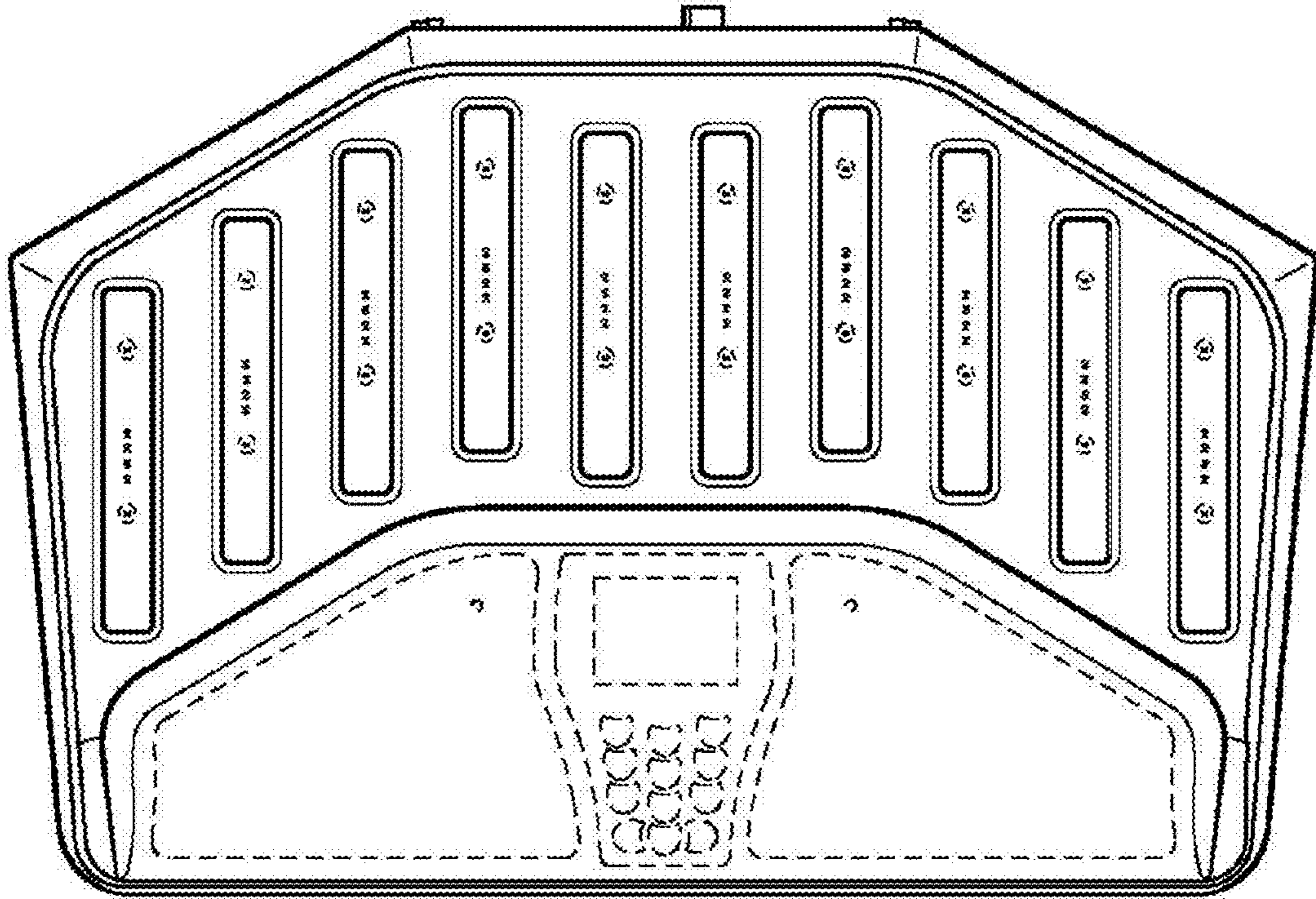


FIG. 9

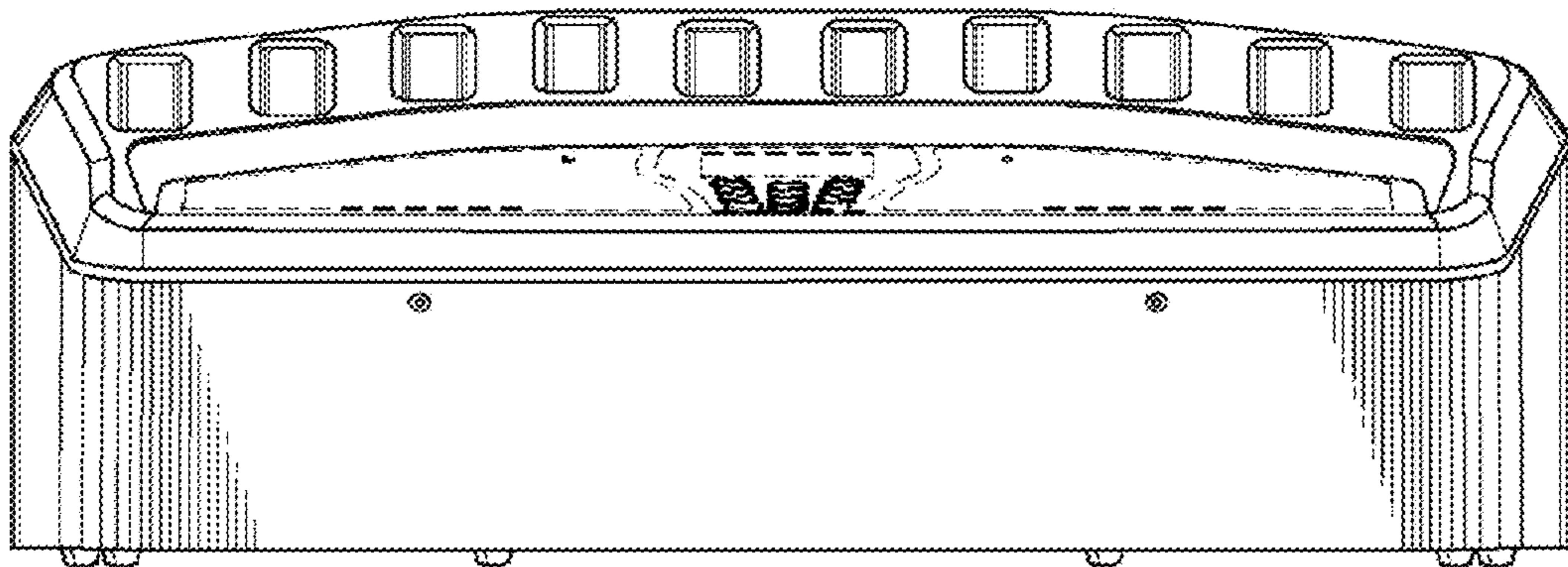


FIG. 10