



US00D743882S

(12) **United States Design Patent**
Tsou

(10) **Patent No.:** **US D743,882 S**

(45) **Date of Patent:** **** Nov. 24, 2015**

(54) **POWER BANK**

(71) Applicant: **Peter Christian Tsou**, San Francisco,
CA (US)

(72) Inventor: **Peter Christian Tsou**, San Francisco,
CA (US)

(73) Assignee: **CLEER GEAR LLC**, San Francisco,
CA (US)

(**) Term: **14 Years**

(21) Appl. No.: **29/498,616**

(22) Filed: **Aug. 5, 2014**

(51) **LOC (10) Cl.** **13-02**

(52) **U.S. Cl.**
USPC **D13/107**

(58) **Field of Classification Search**

USPC D13/102-110, 118-119, 184, 199, 133,
D13/144; D14/251, 253, 432, 434, 356,
D14/155; 439/300, 620.01, 638, 668-669,
439/675, 825; 320/107-115
CPC Y02E 60/12; Y02E 60/10; Y02E 60/122;
Y02E 60/124; Y02E 60/50; Y02T 90/14;
Y02T 90/122; Y02T 90/128; Y02T 90/163;
H02J 7/025; H02J 7/0042; H02J 7/0044;
H02J 7/0045; H02J 7/0003; H01F 38/14;
H01R 13/6675; H01M 2/1022; H01M 2/1055;
H01M 10/44; H01M 10/46; H01M 10/425;
B60L 11/182

See application file for complete search history.

(56) **References Cited**

U.S. PATENT DOCUMENTS

D214,906 S *	8/1969	Steinmeyer	D13/173
D385,254 S *	10/1997	Owusu	D13/133
D415,143 S *	10/1999	Roberts	D13/146
D551,166 S *	9/2007	Dayan	D13/110
D625,266 S *	10/2010	Bau	D13/144
D644,990 S *	9/2011	Tseng	D13/108
D702,636 S *	4/2014	Benedict et al.	D13/110
D715,226 S *	10/2014	Rostami	D13/144
D723,466 S *	3/2015	Wang	D13/144
2009/0315513 A1 *	12/2009	Mkhitarian	320/114

* cited by examiner

Primary Examiner — Rosemary K Tarcza

Assistant Examiner — Sanjeev Paul

(57) **CLAIM**

The ornamental design for a power bank, as shown and described.

DESCRIPTION

FIG. 1 is a perspective view of a power bank, showing my new design;

FIG. 2 is a top view thereof;

FIG. 3 is a bottom view thereof;

FIG. 4 is a right view thereof;

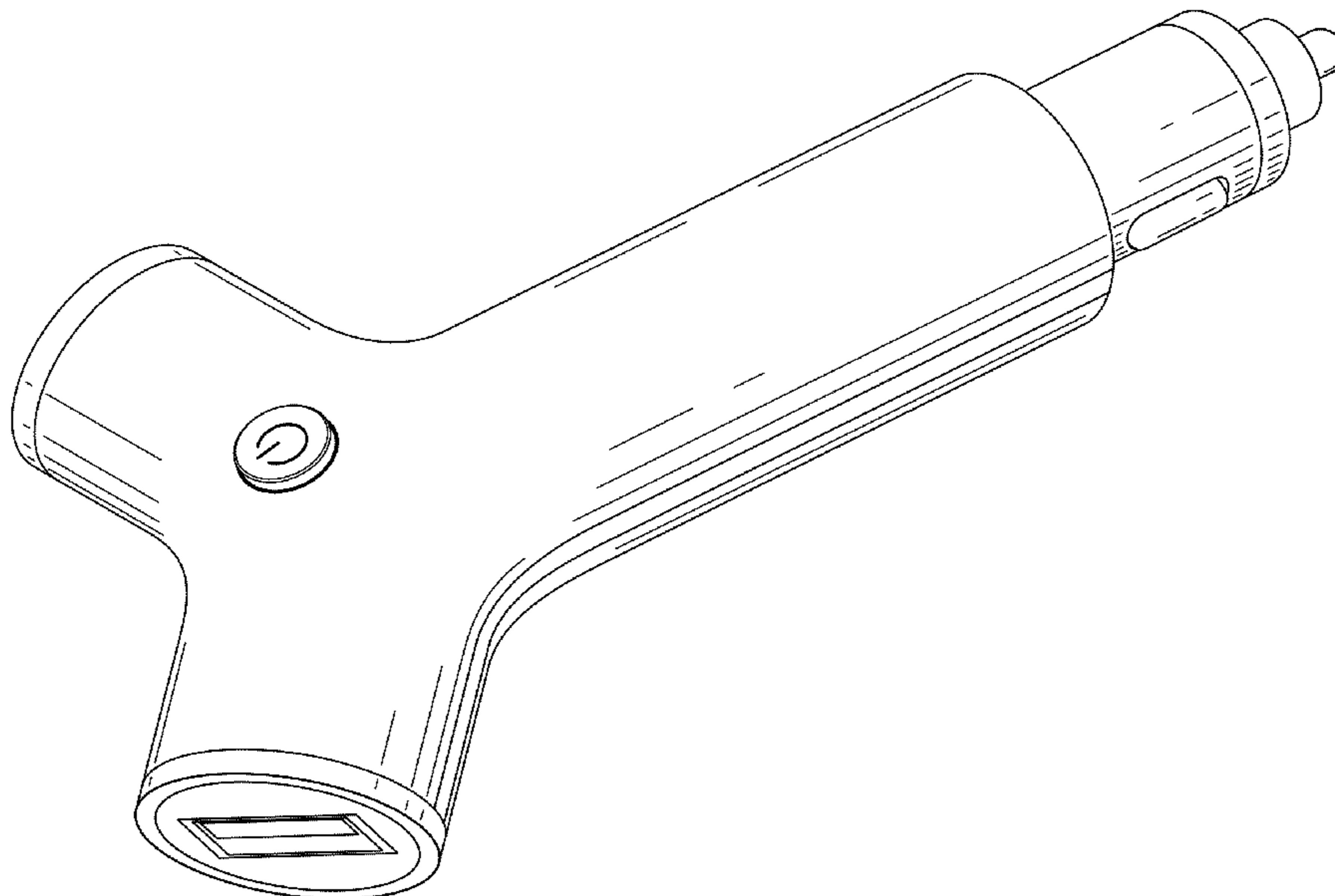
FIG. 5 is a left view thereof;

FIG. 6 is a back view thereof; and,

FIG. 7 is a front view thereof.

The broken lines in the drawings are for the purpose of illustrating unclaimed portions of the power bank and form no part of the claimed design.

1 Claim, 4 Drawing Sheets



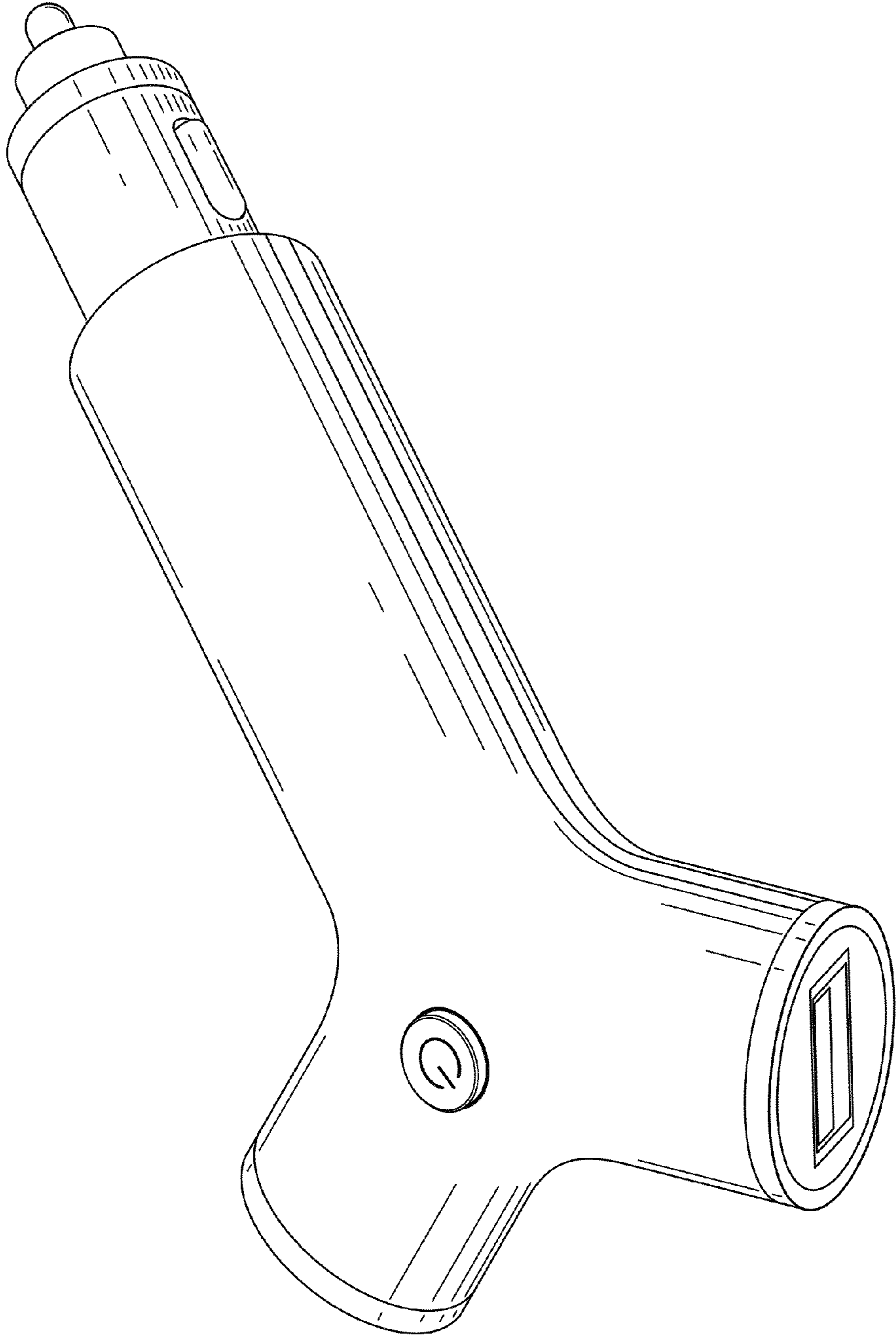


FIG. 1

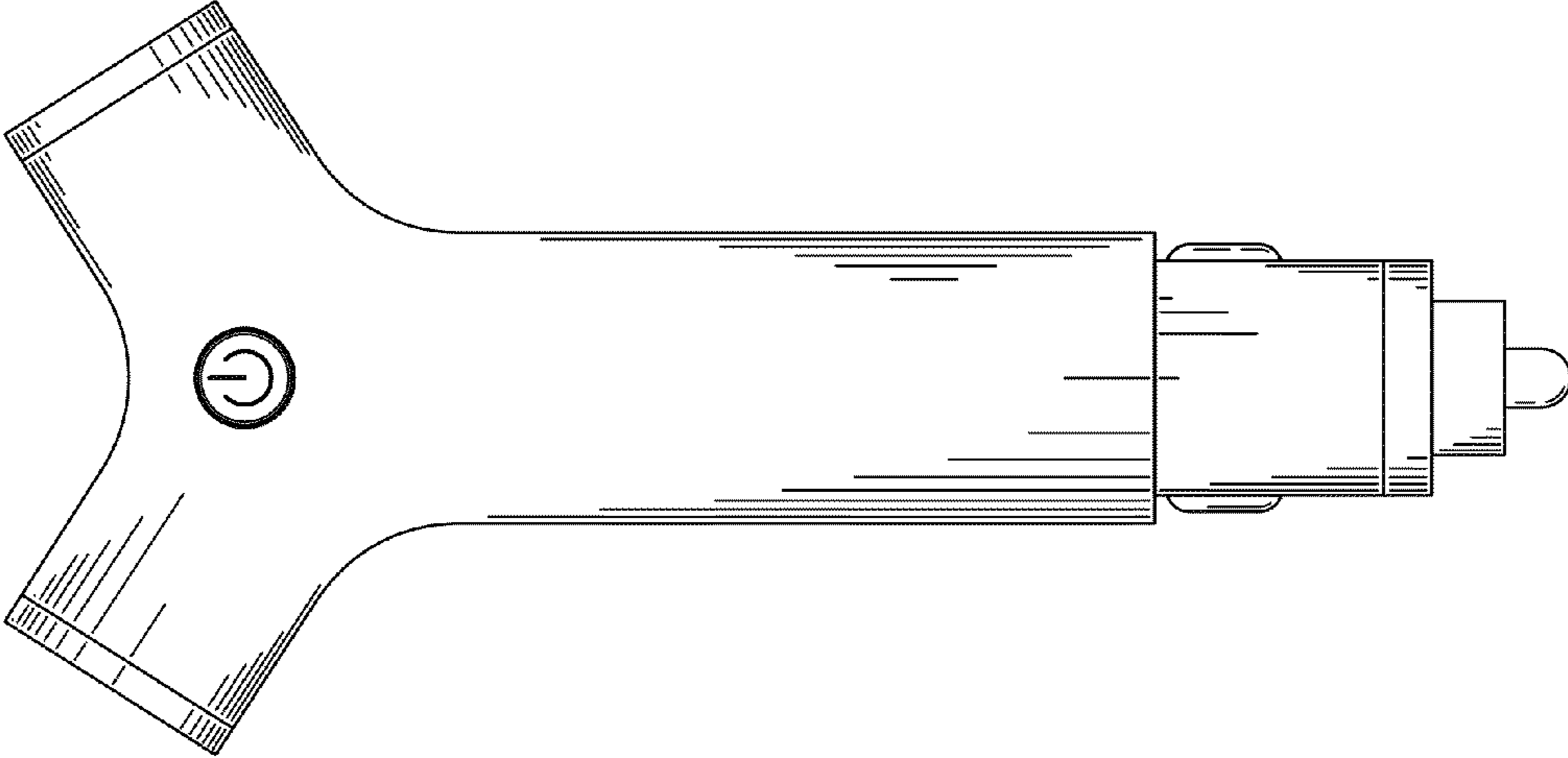


FIG. 2

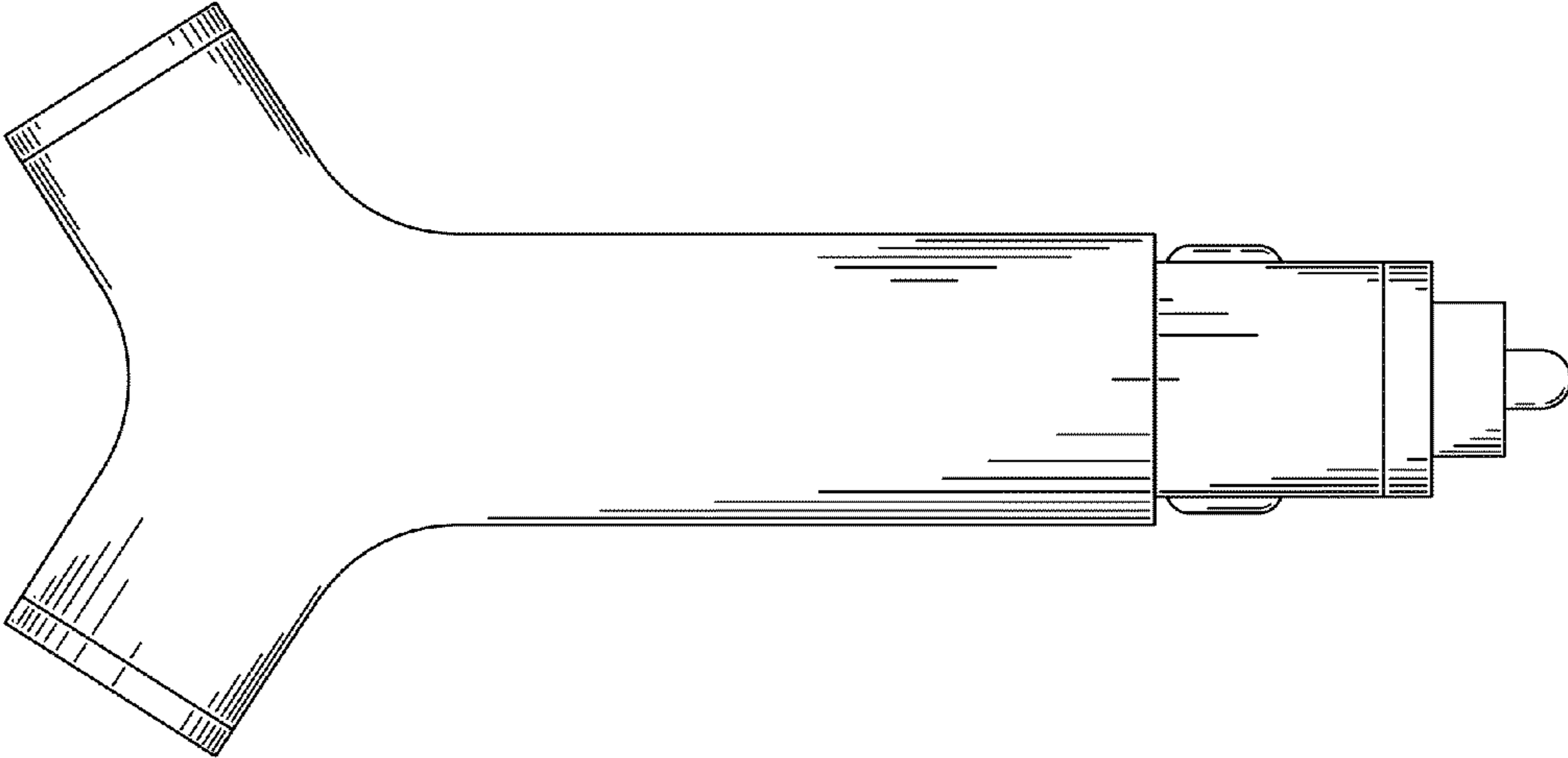


FIG. 3

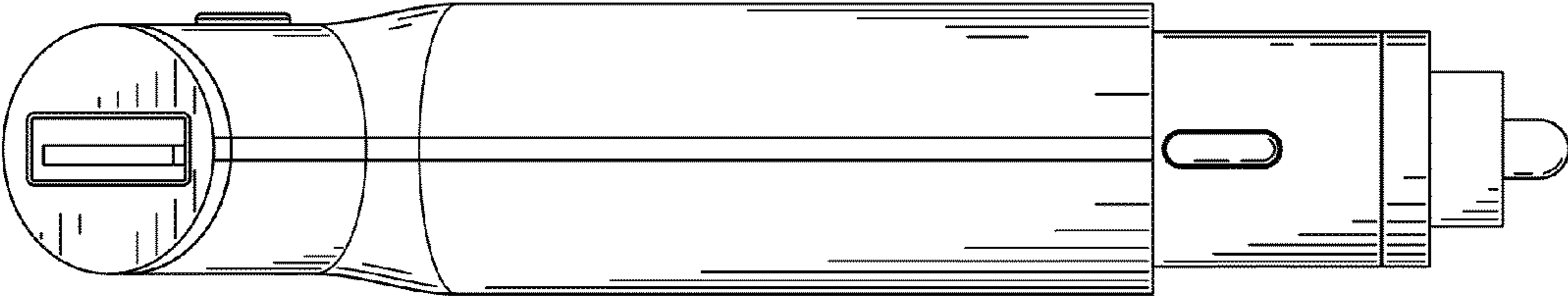


FIG. 4

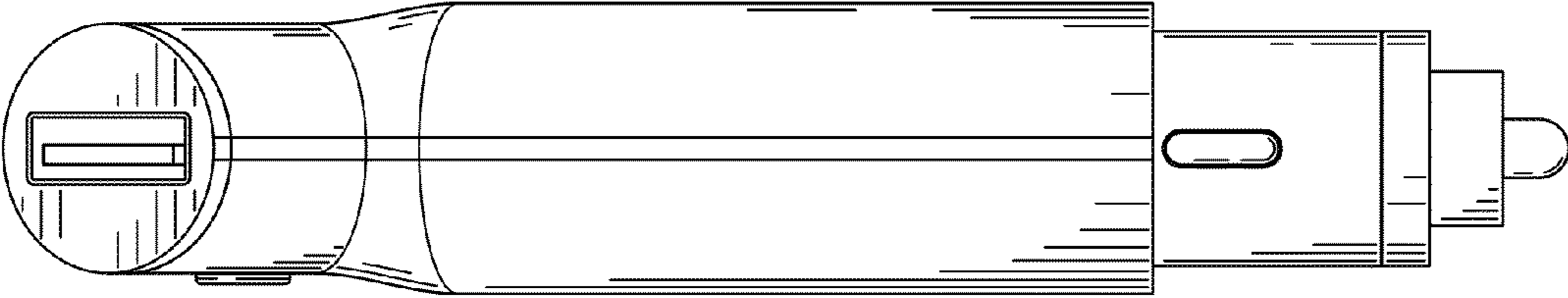


FIG. 5

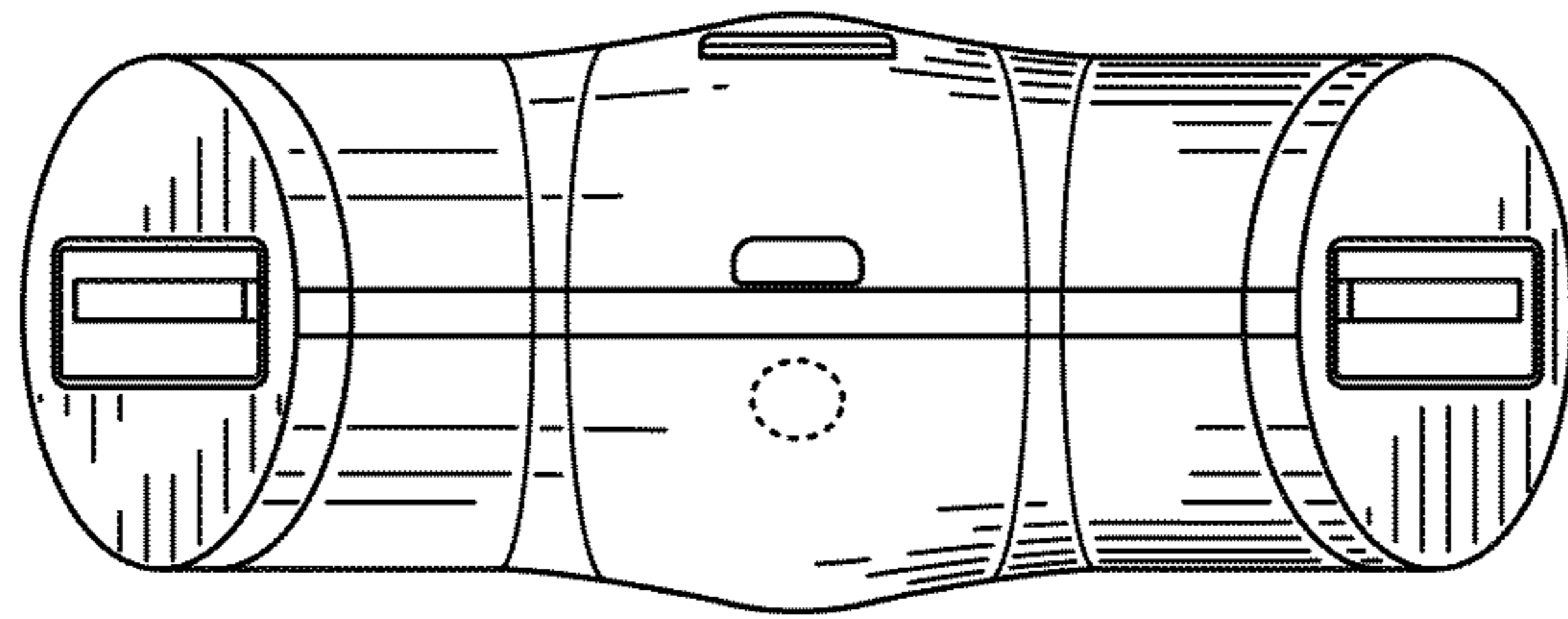


FIG. 6

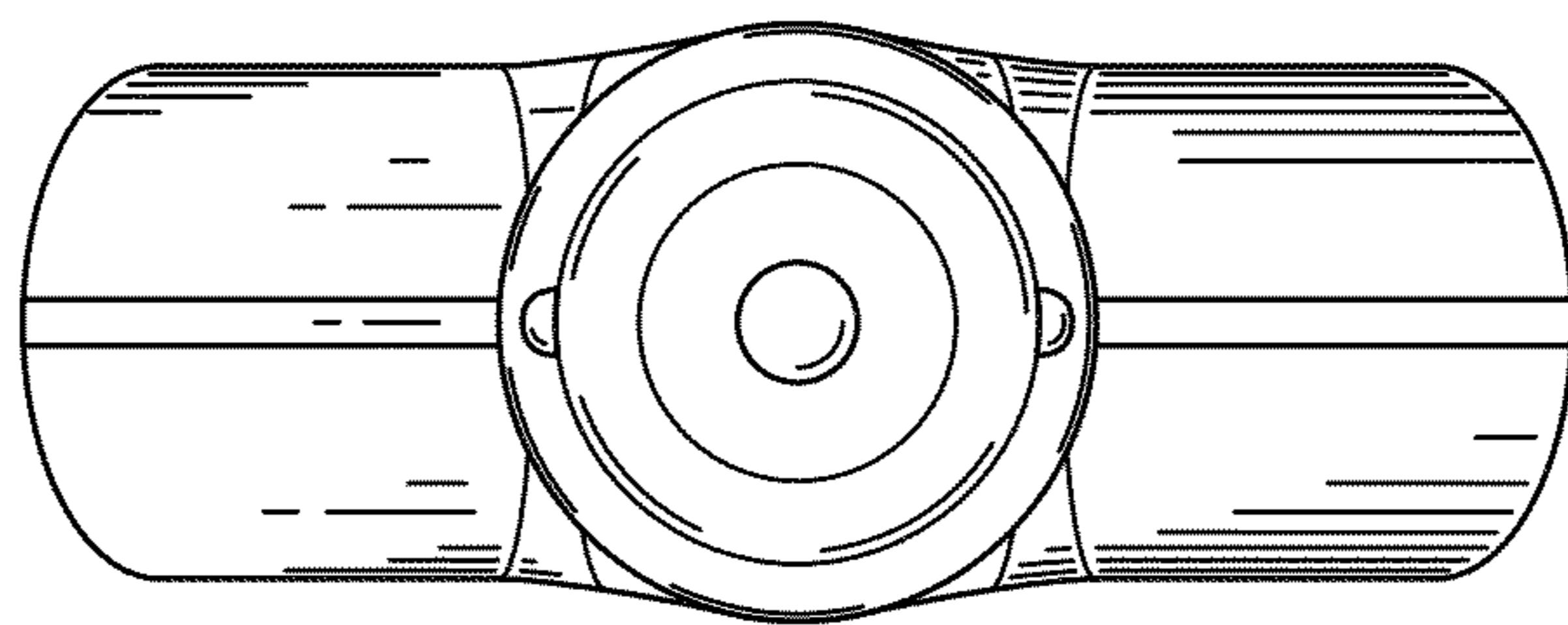


FIG. 7