



US00D743881S

(12) **United States Design Patent**
Au

(10) **Patent No.:** **US D743,881 S**
(45) **Date of Patent:** **** Nov. 24, 2015**

- (54) **SOLAR TRACKER FRAME**
- (71) Applicant: **NEXTracker Inc.**, Fremont, CA (US)
- (72) Inventor: **Alexander W. Au**, El Cerrito, CA (US)
- (73) Assignee: **NEXTRACKER INC.**, Fremont, CA (US)
- (**) Term: **14 Years**
- (21) Appl. No.: **29/508,542**
- (22) Filed: **Nov. 7, 2014**

Related U.S. Application Data

- (62) Division of application No. 14/489,409, filed on Sep. 17, 2014, and a division of application No. 14/489,412, filed on Sep. 17, 2014, and a division of application No. 14/489,416, filed on Sep. 17, 2014.
- (51) **LOC (10) Cl.** **13-02**
- (52) **U.S. Cl.**
USPC **D13/102**
- (58) **Field of Classification Search**
USPC D13/102, 118, 184, 199; D6/574;
D8/349, 354, 373, 380, 381, 396;
D15/5, 199; 136/243, 246, 251, 259;
439/76.1
CPC Y02E 10/47; H02S 20/00; H02S 20/32;
F24J 2/541
See application file for complete search history.

(56) **References Cited**

U.S. PATENT DOCUMENTS

D215,141	S	*	9/1969	Harmsen	D8/380
D222,578	S	*	11/1971	Walker et al.	D8/373
3,990,914	A	*	11/1976	Weinstein et al.	136/246
D274,601	S	*	7/1984	Helmle	D8/380
D291,654	S	*	9/1987	Foster, Jr.	D8/349
D360,250	S	*	7/1995	Coste	D22/110
6,239,353	B1	*	5/2001	Hall et al.	136/246

D531,490	S	*	11/2006	Walker	D8/380
D547,262	S	*	7/2007	Ullman	D13/102
D579,255	S	*	10/2008	Thompson et al.	D6/574
D595,114	S	*	6/2009	Hamilton et al.	D8/349
D599,734	S	*	9/2009	Erasmus	D13/102
D604,143	S	*	11/2009	Shnyder	D8/349
D651,503	S	*	1/2012	Ellis	D8/349
D651,969	S	*	1/2012	Turk et al.	D13/102
D651,970	S	*	1/2012	Turk et al.	D13/102
D708,123	S	*	7/2014	Ilzhofer	D13/102
D708,126	S	*	7/2014	Cai et al.	D13/102
8,939,648	B2	*	1/2015	Schneider et al.	384/428
2011/0253195	A1	*	10/2011	Kim	136/246
2012/0192925	A1	*	8/2012	Grushkowitz et al.	136/251
2013/0039610	A1	*	2/2013	Schneider et al.	384/428
2014/0140755	A1	*	5/2014	Clavijo Lumbreras	403/57
2015/0059827	A1	*	3/2015	Reed et al.	136/246
2015/0107580	A1	*	4/2015	Weber et al.	126/600

* cited by examiner

Primary Examiner — Derrick Holland

Assistant Examiner — Jennifer O King

(74) *Attorney, Agent, or Firm* — Richard T. Ogawa; Ogawa P.C.

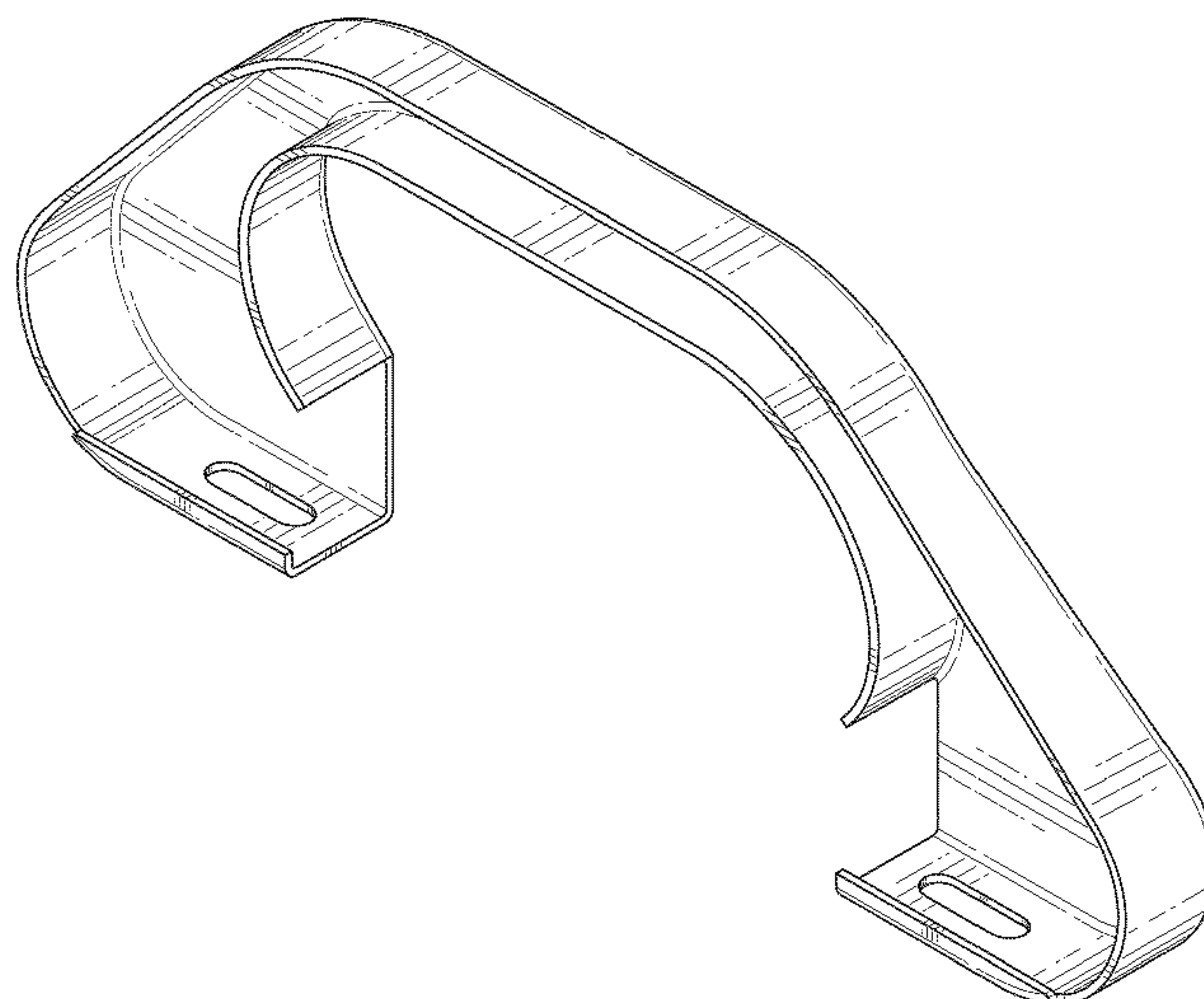
(57) **CLAIM**

The ornamental design for a solar tracker frame, as shown and described.

DESCRIPTION

FIG. 1 is a perspective view of a solar tracker frame showing my new design;
 FIG. 2 is a perspective view thereof, shown in environmental use;
 FIG. 3 is a front view thereof;
 FIG. 4 is a back view thereof;
 FIG. 5 is a first side view thereof;
 FIG. 6 is a second side view thereof;
 FIG. 7 is a top view thereof; and,
 FIG. 8 is a bottom view thereof.
 The broken lines shown represent unclaimed subject matter and form no part of the claimed design.

1 Claim, 6 Drawing Sheets



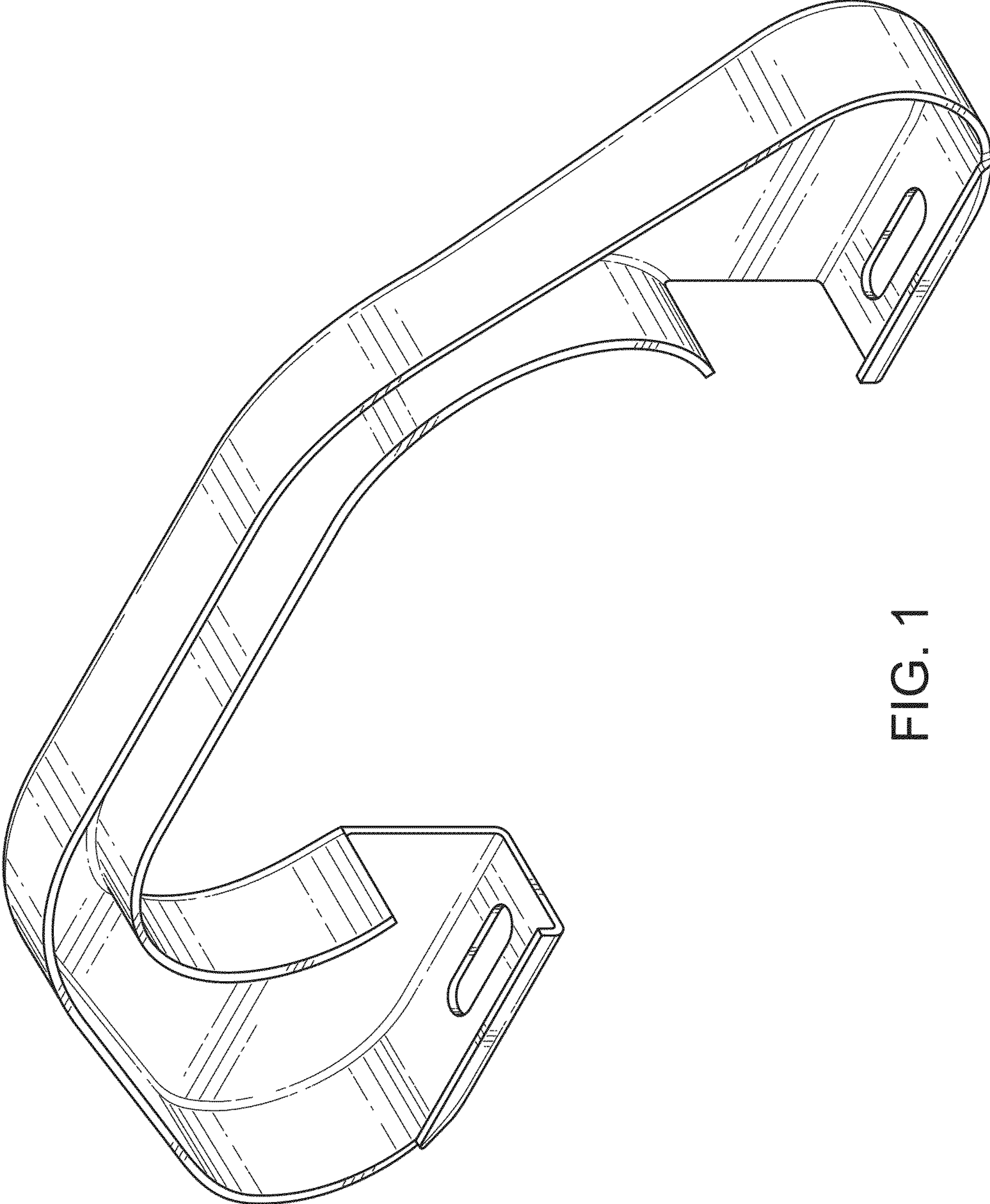


FIG. 1

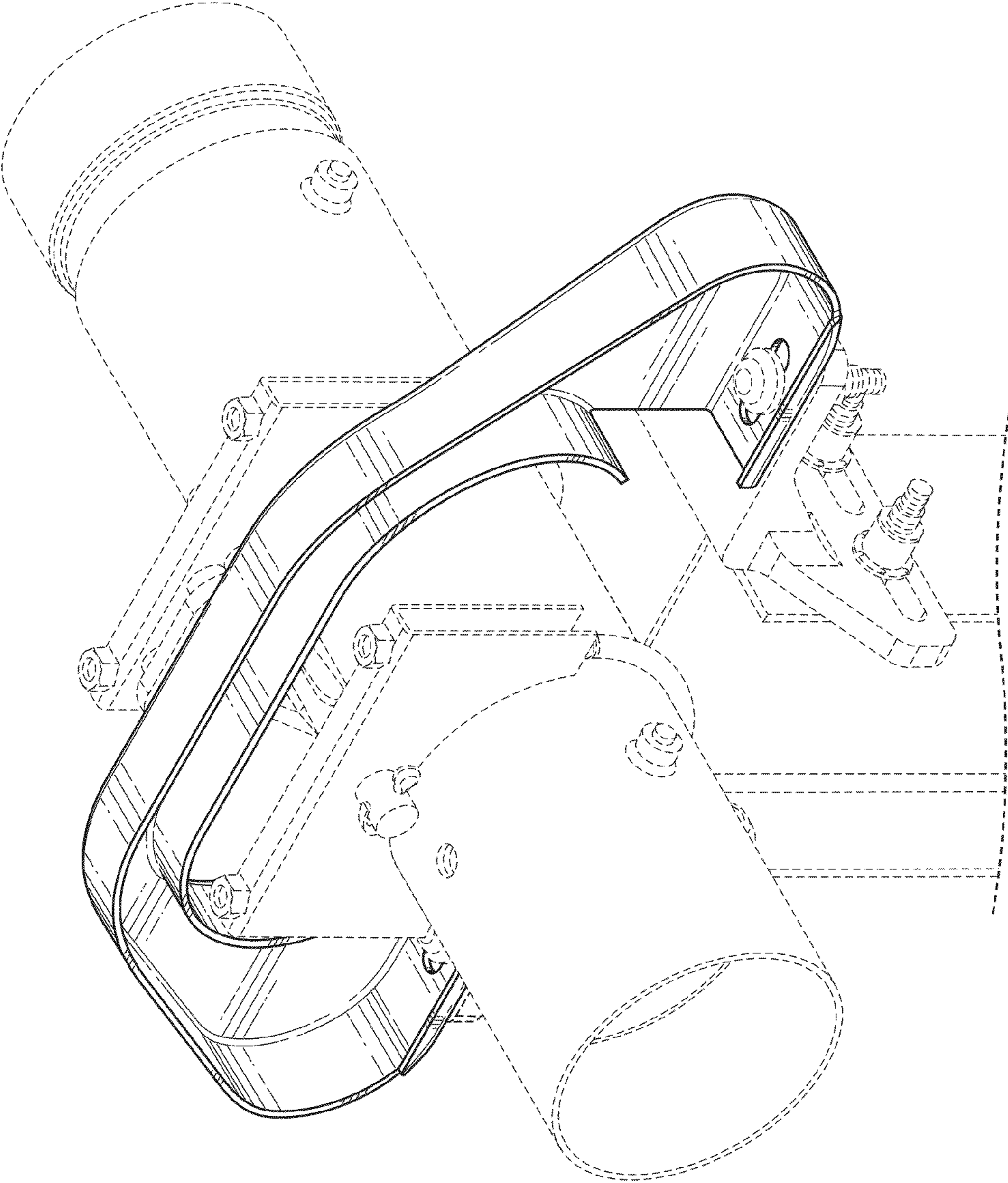


FIG. 2

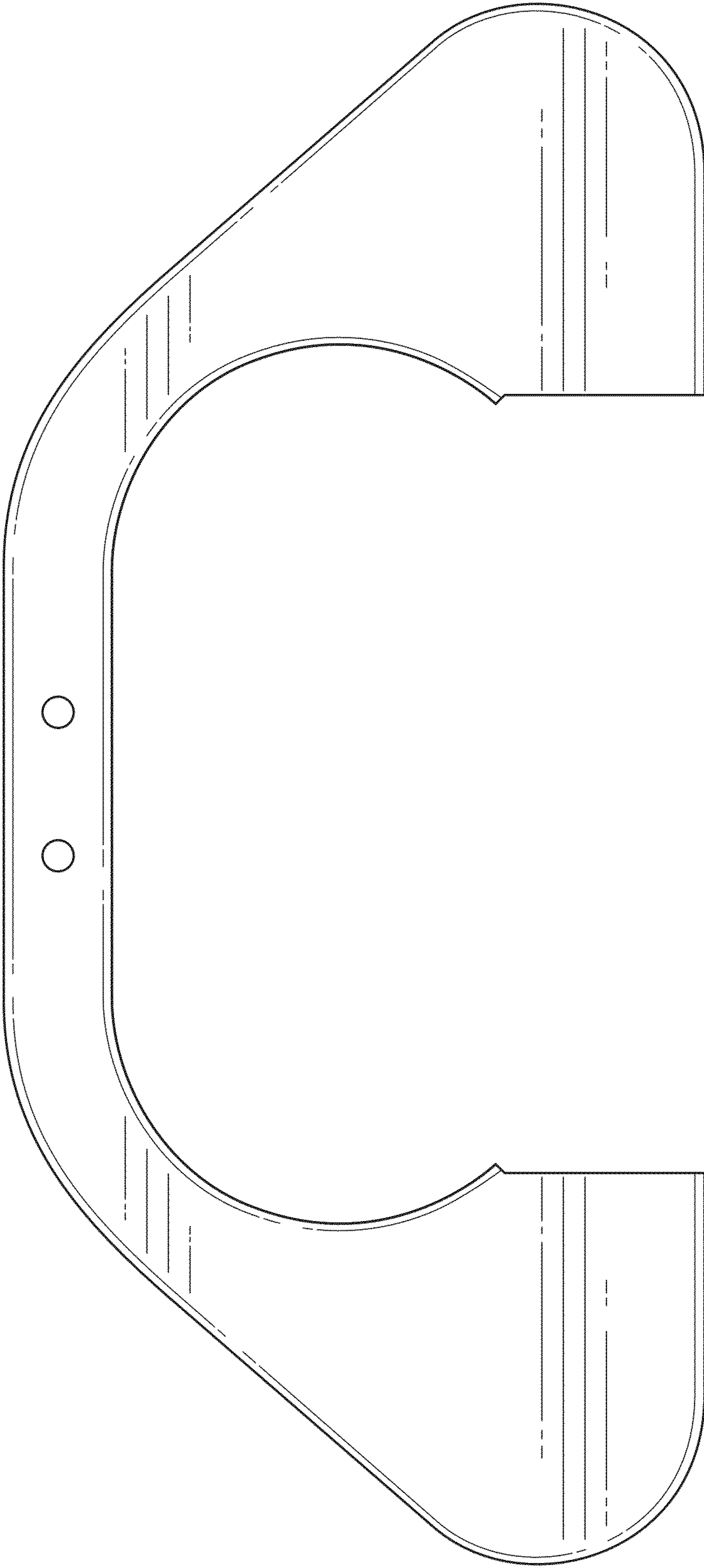


FIG. 3

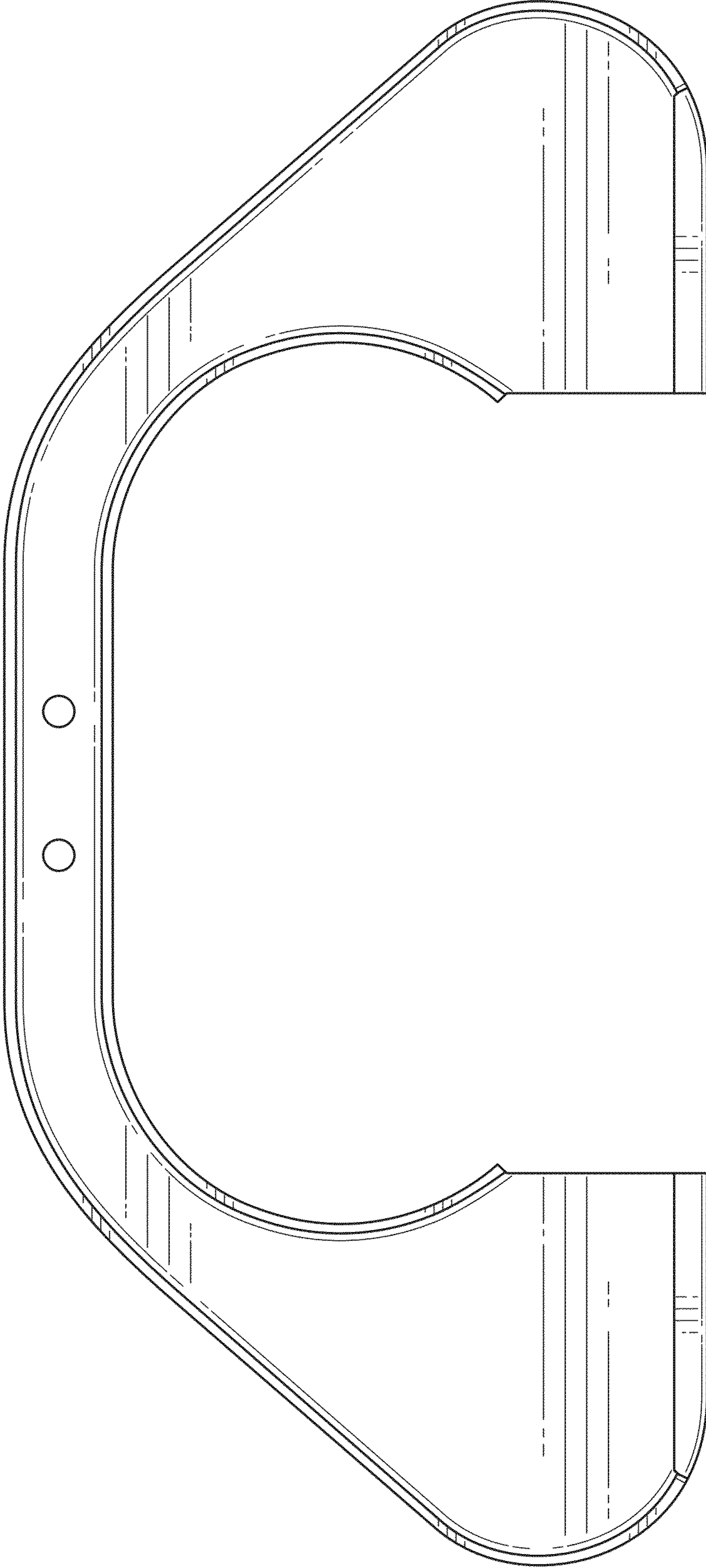


FIG. 4

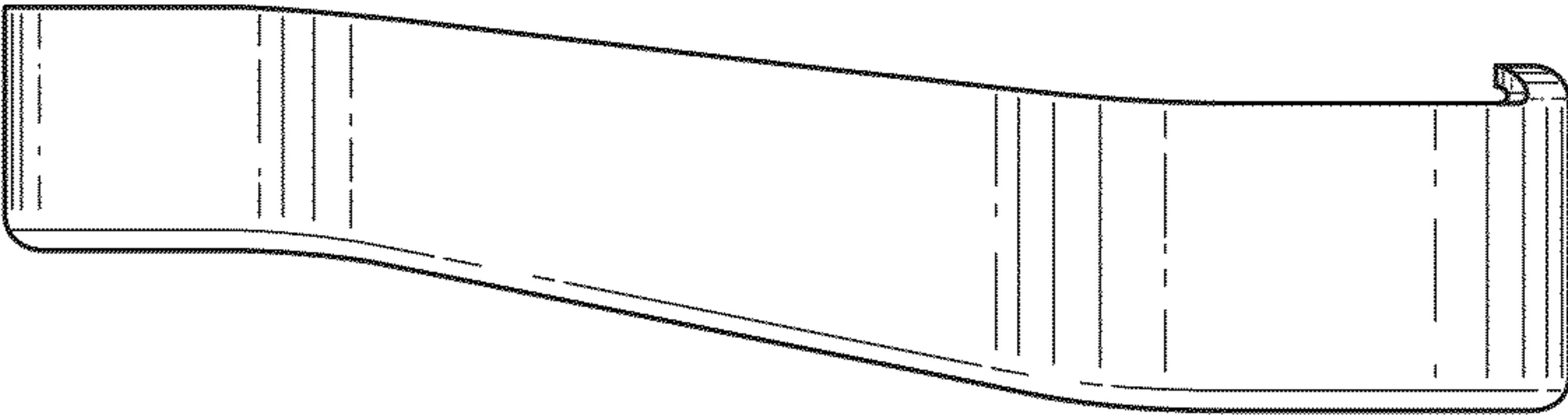


FIG. 6

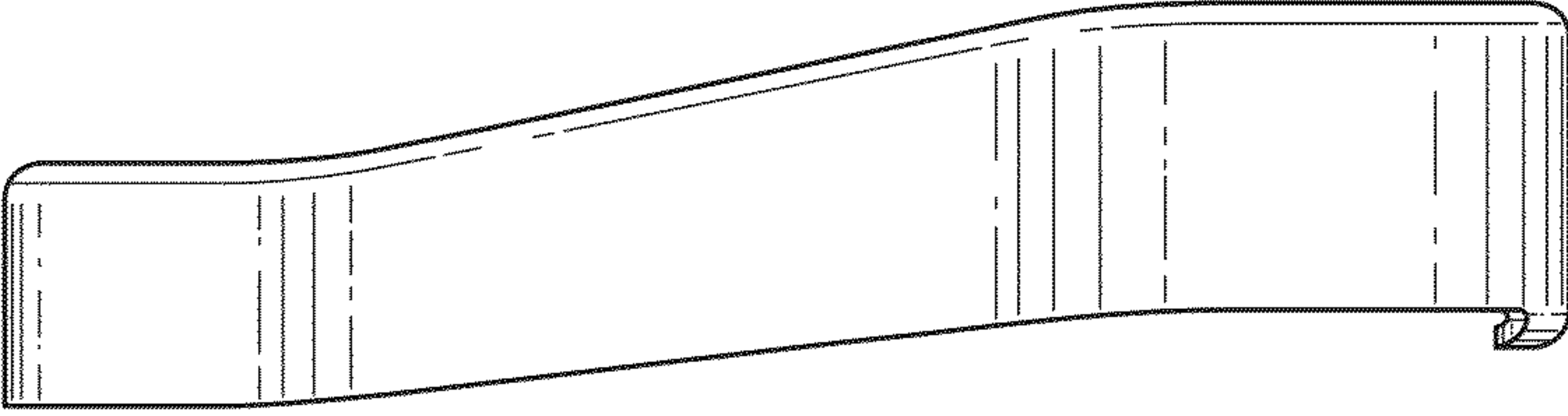


FIG. 5

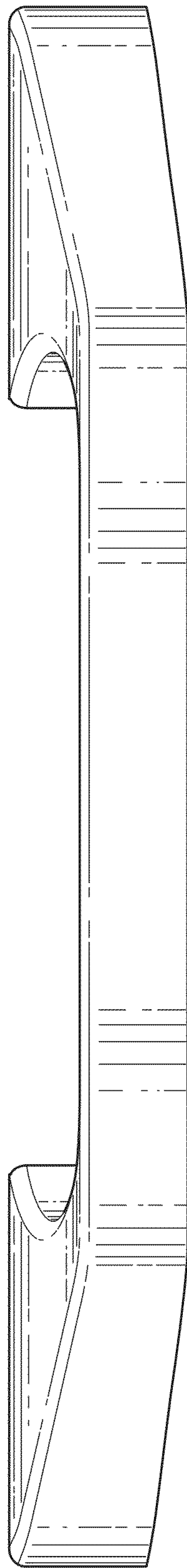


FIG. 7

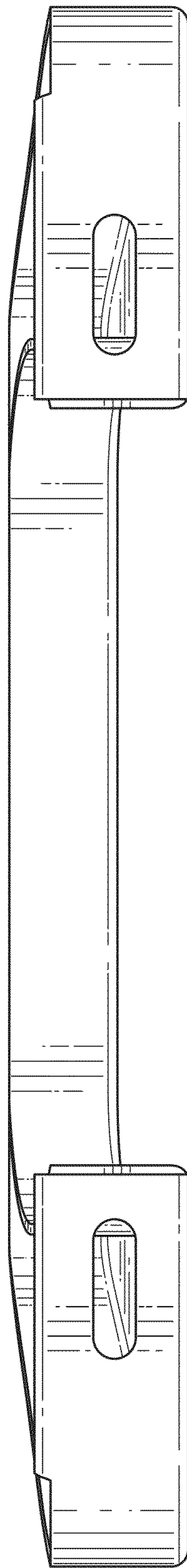


FIG. 8