



US00D743878S

(12) **United States Design Patent**
Mathis

(10) **Patent No.:** **US D743,878 S**

(45) **Date of Patent:** **** Nov. 24, 2015**

(54) **TIRE**

(71) Applicant: **Atturo Tire Corp.**, Lake Villa, IL (US)

(72) Inventor: **Michael Mathis**, Lake Villa, IL (US)

(73) Assignee: **Atturo Tire Corp.**, Lake Villa, IL (US)

(**) Term: **14 Years**

(21) Appl. No.: **29/492,195**

(22) Filed: **May 29, 2014**

(51) **LOC (10) Cl.** **12-15**

(52) **U.S. Cl.**
USPC **D12/579**

(58) **Field of Classification Search**
USPC D12/574, 578, 536, 559, 561, 579, 602,
D12/604, 605, 512, 519, 522, 537-538, 542,
D12/544, 551, 552, 554, 563, 568; D7/588,
D7/396.4, 396.5; 152/523, 524, 525, 555,
152/209.1-209.9, 209.11-209.19,
152/209.21-209.28, 455; D11/2-4, 26
CPC B60C 13/00; B60C 13/001; B60C 13/02;
B60C 1/0025; B60C 11/03; B60C 11/0304;
B60C 11/1218; B60C 11/1236; B60C
11/1281; B60C 2011/1213; B60C 2200/06;
B60C 1/00
See application file for complete search history.

(56) **References Cited**

U.S. PATENT DOCUMENTS

D157,953 S * 4/1950 Hawkinson 152/902
D158,031 S * 4/1950 Wilcox 152/209.12

D483,718 S * 12/2003 Hutz B60C 13/02
D12/579
D530,266 S * 10/2006 Hutz D12/579
D612,797 S * 3/2010 Lo D12/544
D653,195 S * 1/2012 Sareen D12/579
D668,209 S * 10/2012 De Benedittis D12/594
D717,726 S * 11/2014 Buchinger-Barnstorf ... D12/599
D727,248 S * 4/2015 Reim D12/577
D729,150 S * 5/2015 Jacobs D12/579
D730,272 S * 5/2015 Fleckner D12/580
D734,712 S * 7/2015 Kuwano D12/599
D736,145 S * 8/2015 Jacobs D12/594
D738,815 S * 9/2015 Dixon D12/594

* cited by examiner

Primary Examiner — Deanna L Pratt

Assistant Examiner — Katie Mroczka

(74) *Attorney, Agent, or Firm* — Akerman LLP

(57) **CLAIM**

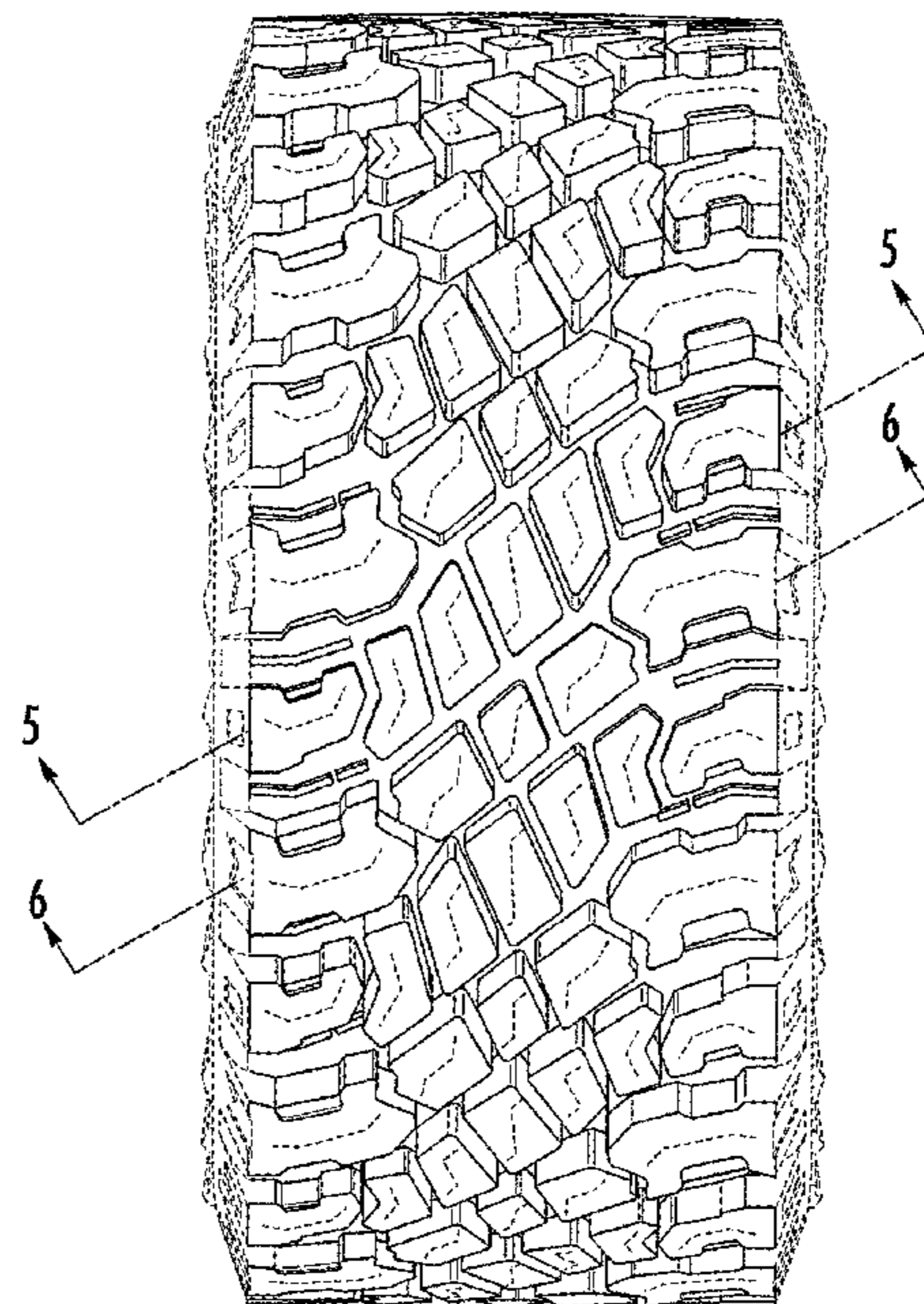
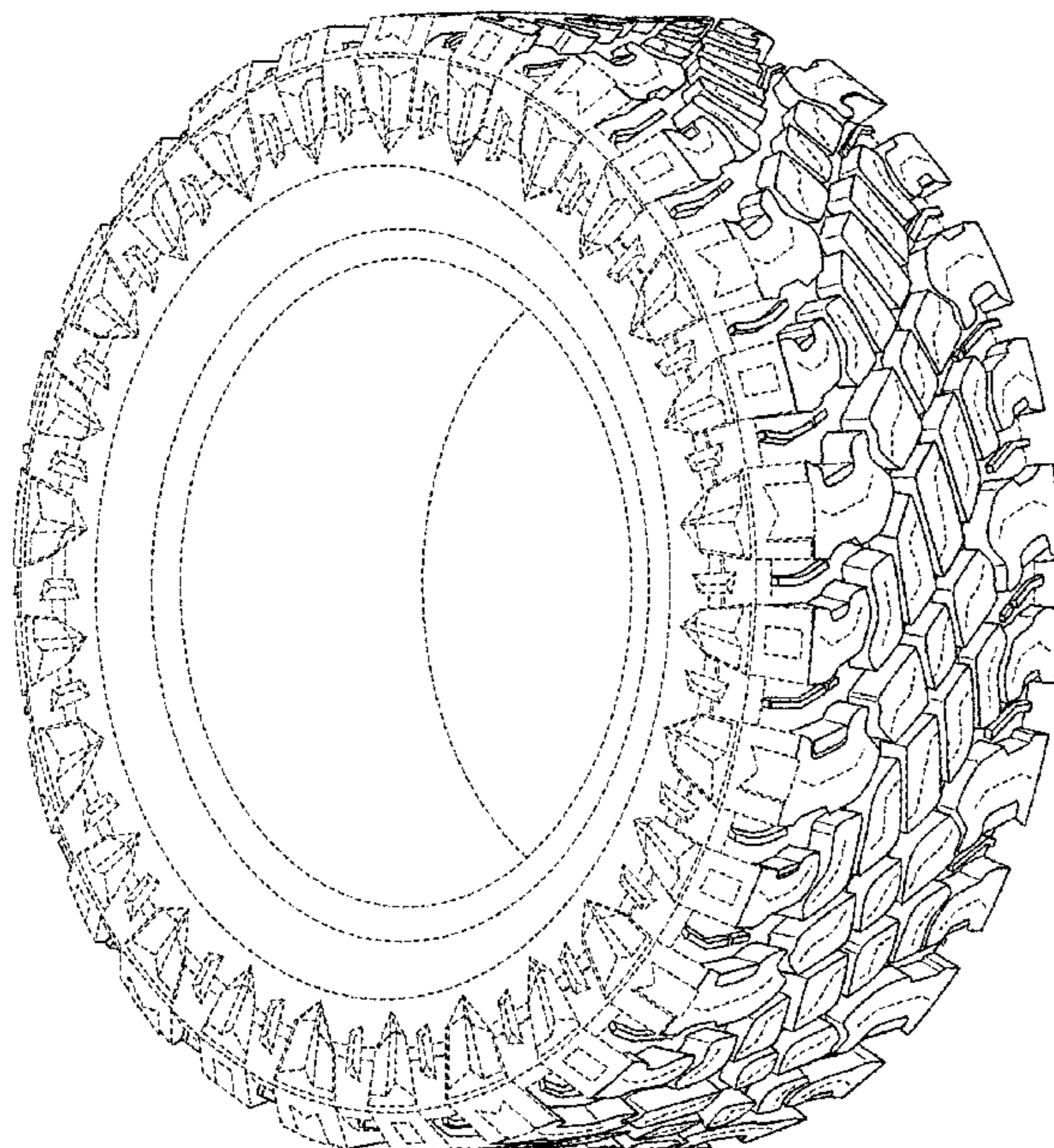
The ornamental design for a tire, as shown and described.

DESCRIPTION

FIG. 1 is a perspective view of the tire, showing my new, original and ornamental design;
FIG. 2 is a side view thereof;
FIG. 3 is a front view thereof;
FIG. 4 is an enlarged front view thereof;
FIG. 5 is an enlarged sectional view taken along line 5-5 of FIG. 3; and,
FIG. 6 is an enlarged sectional view taken along line 6-6 of FIG. 3.

Broken lines shown in FIGS. 1-6 illustrate portions of the tire that form no part of the claimed design.

1 Claim, 5 Drawing Sheets



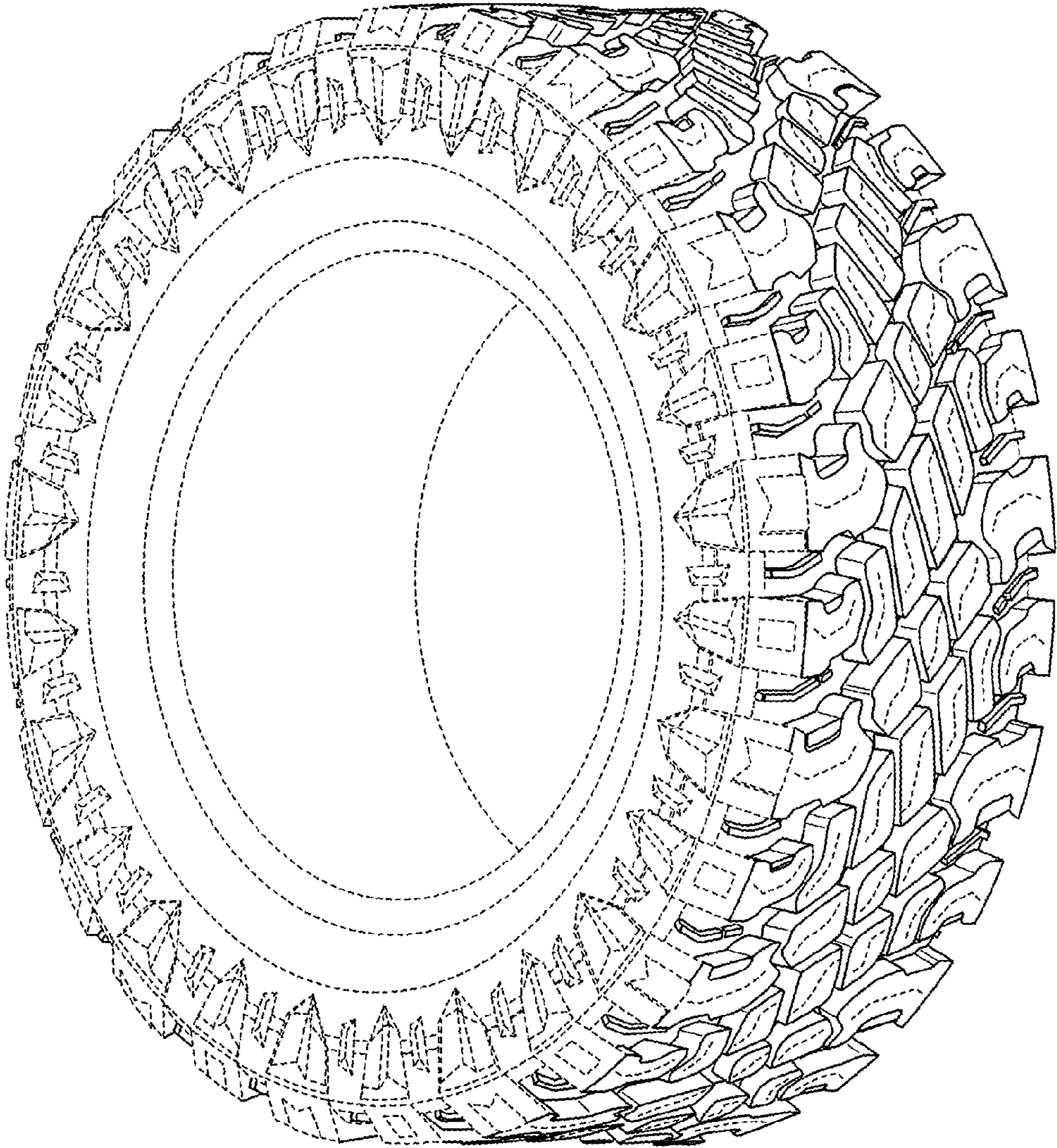


FIG. 1

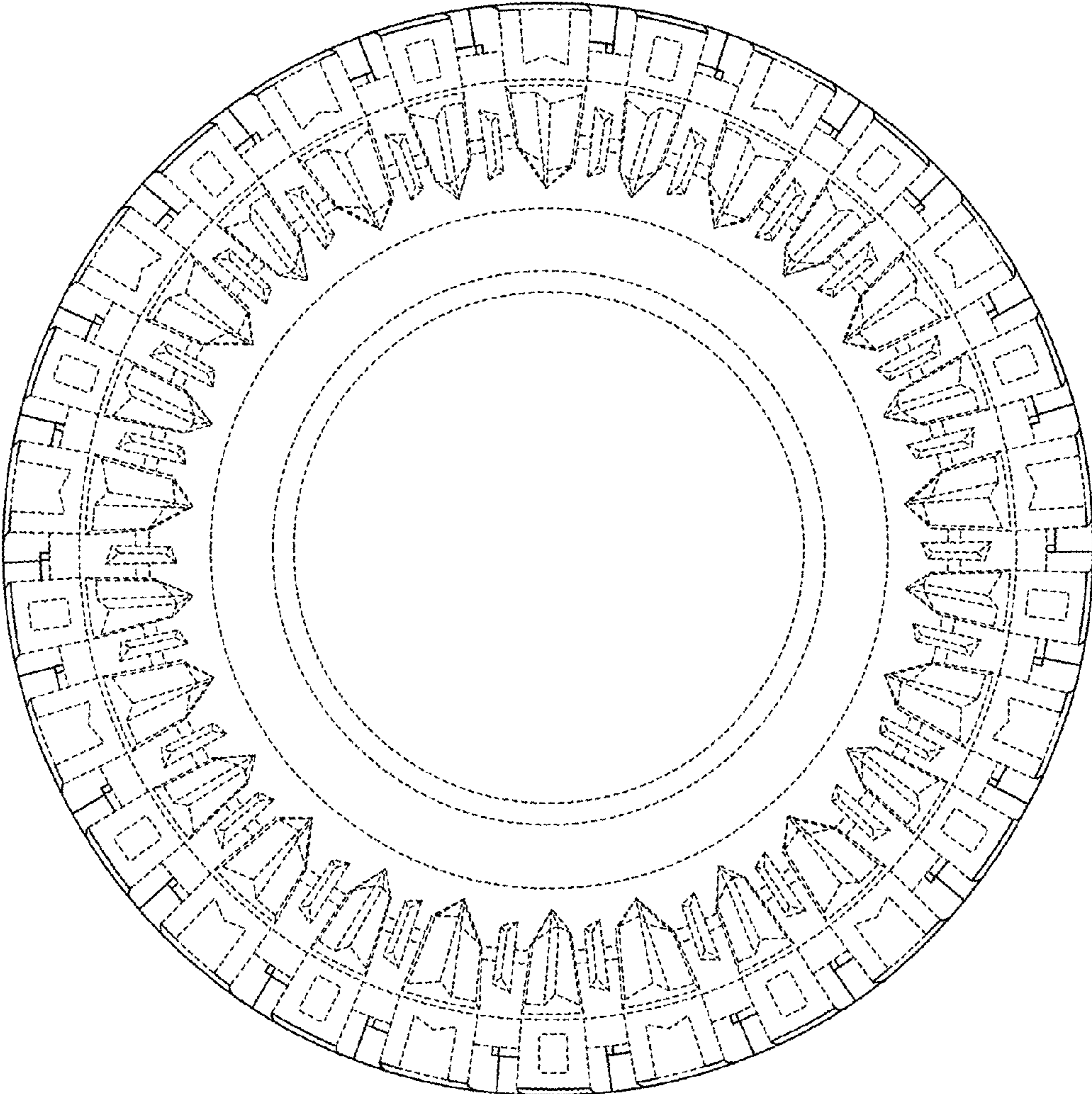


FIG. 2

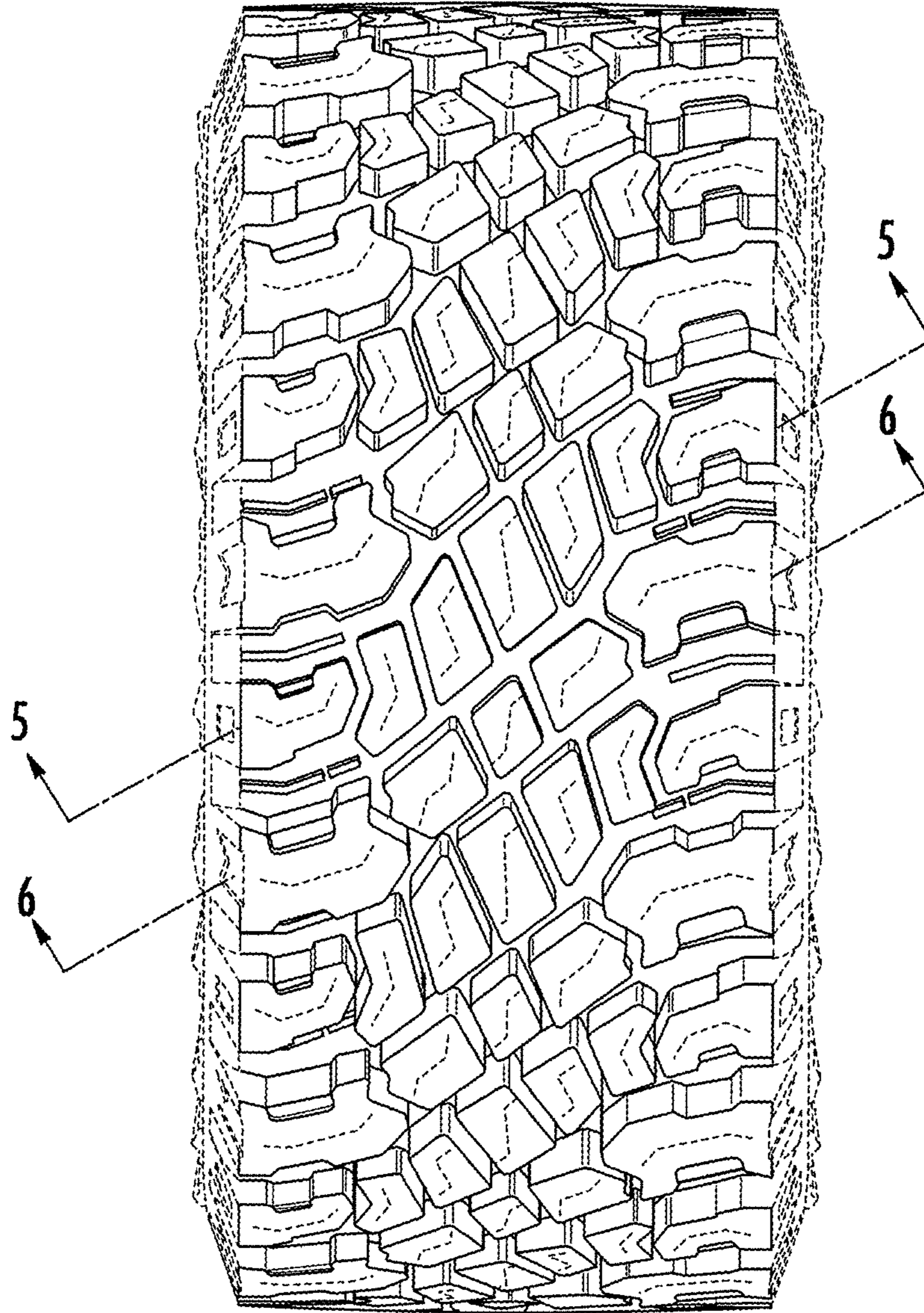


FIG. 3

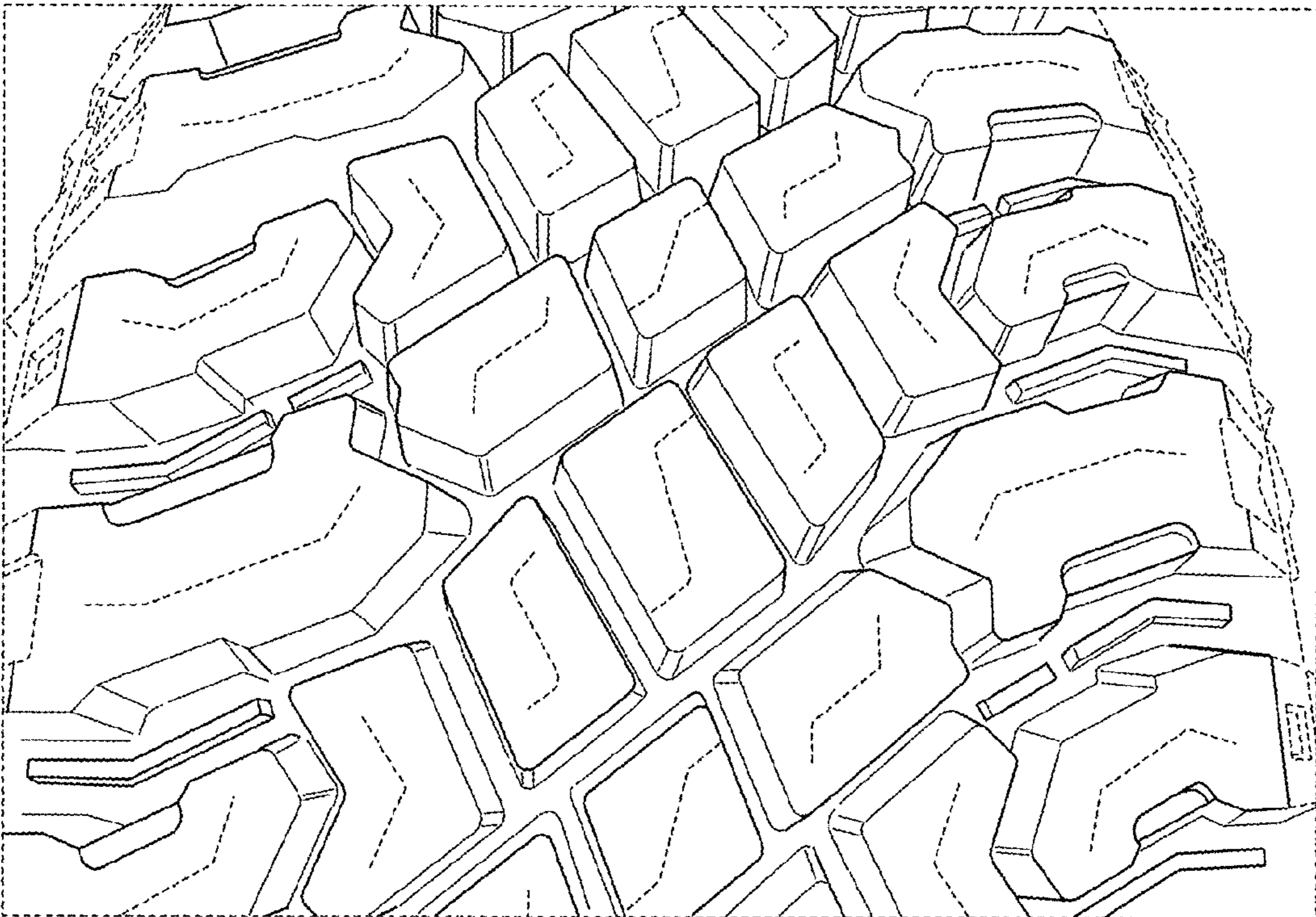


FIG. 4

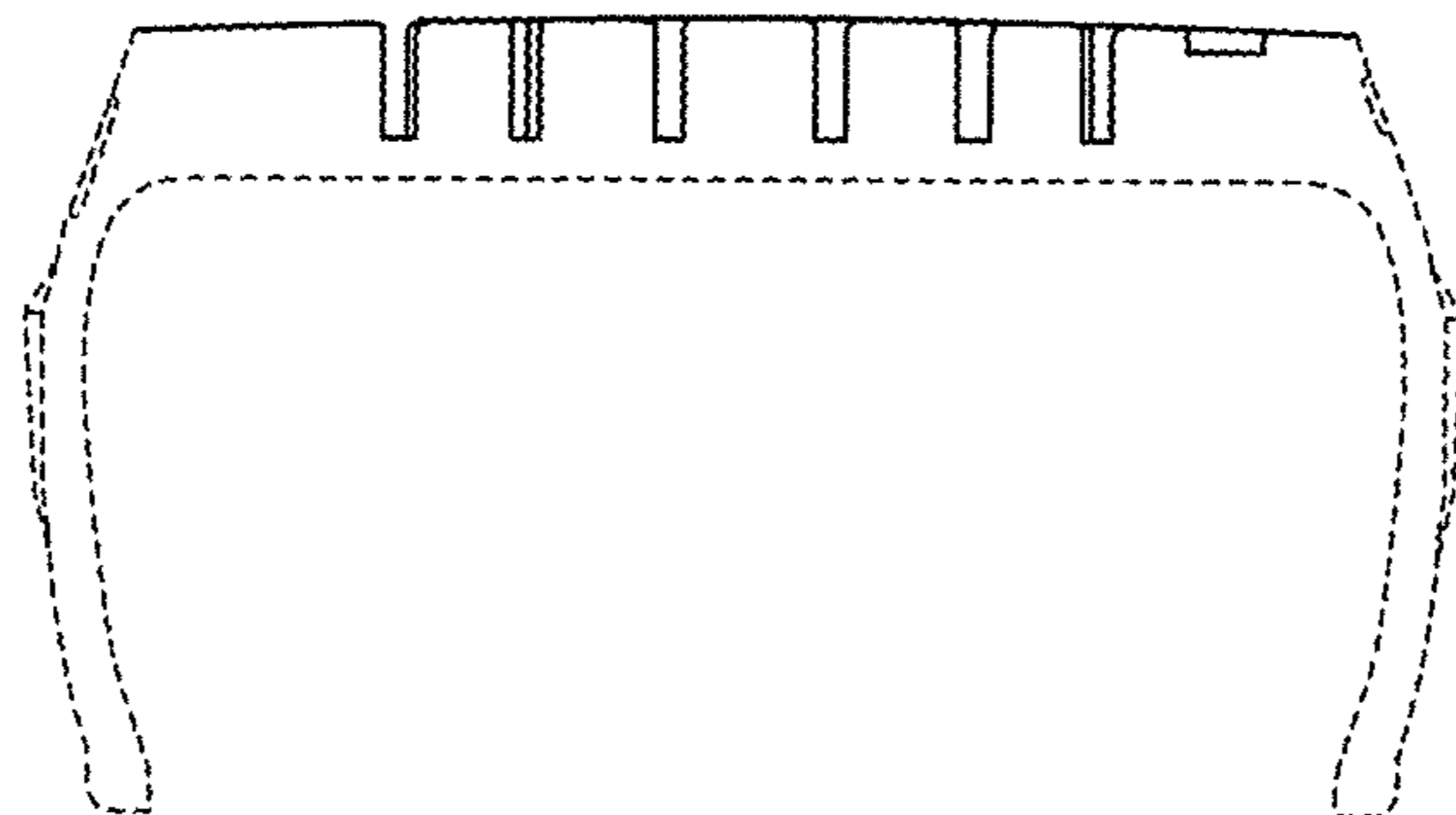


FIG. 5

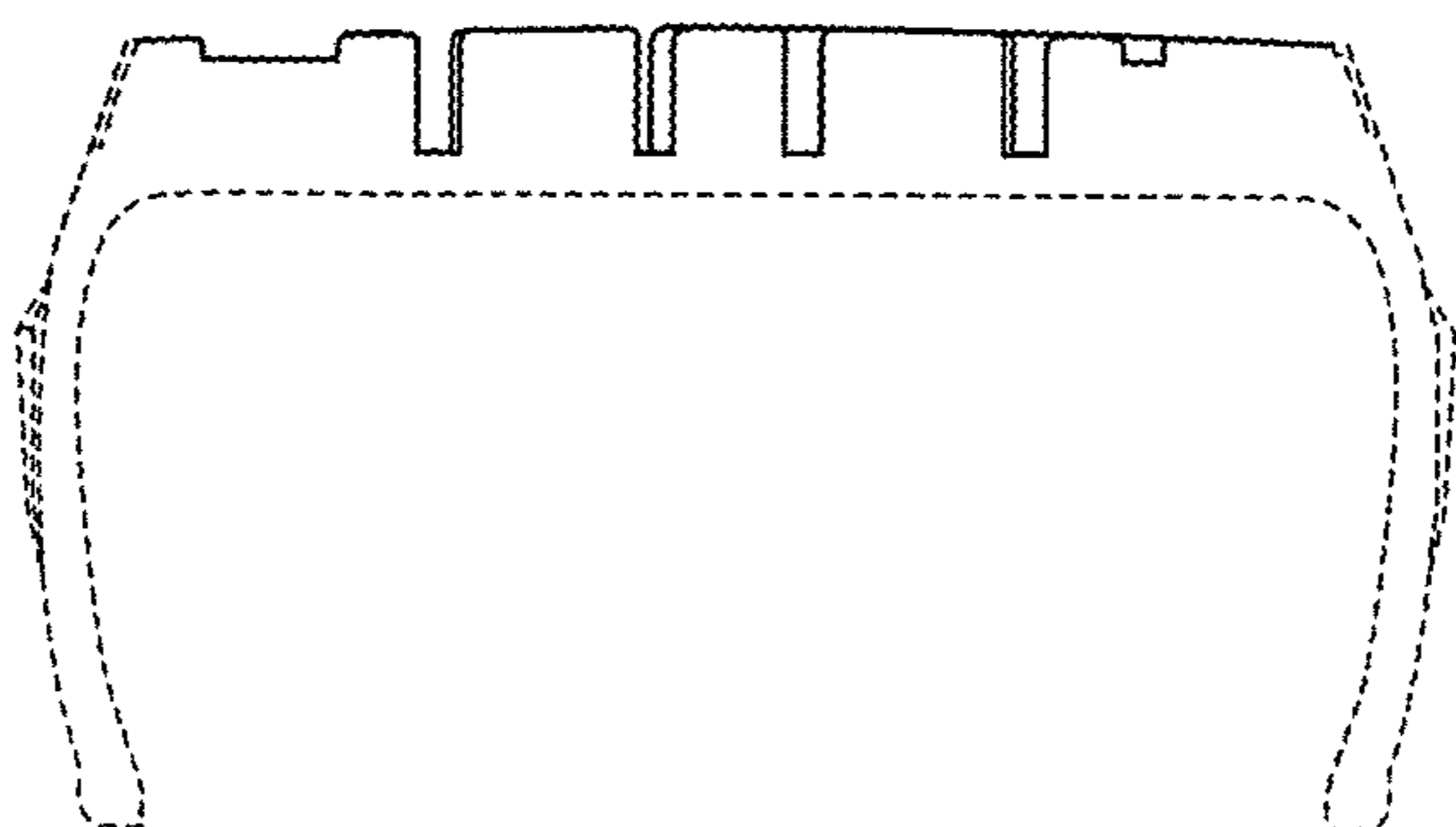


FIG. 6